



Standardized and tailor-made connection components

CONNECTIVITY.

 *innovating automation*

**DEXYÍ**<sup>®</sup>



At Balluff, you get everything from a single source, including a comprehensive range of connectivity components for every area of automation from a variety of materials, for various requirements and applications. Connectors and double-ended cordsets from Balluff are available for high temperatures up to 180 °C and for low temperatures down to -40 °C. Designs with Ecolab approval or in IP69K are especially suitable for sensitive fields such as the food industry. All products are suited for rugged use in the industrial environment. Common to all are simple installation and rapid integration for fast startup.

#### Your Balluff solutions

- Sensor Cables (single-ended cordsets, double-ended cordsets, bulk cables)
- Y-Splitters
- Tees
- Field Attachables
- Bulkhead Connectors
- Receptacles
- Adapters
- Terminating Resistors
- Passive Interfaces

# CONNECTIVITY



**12**

**SINGLE-ENDED CORDSETS  
DOUBLE-ENDED CORDSETS  
BULK CABLES**

- 14 Sensor Cables
- 46 HDC Cables
- 66 Power Cables
- 76 Valve Connectors
- 84 Bus Cables
- 96 M23
- 98 Single-Ended Cordsets
- 108 Double-Ended Cordsets



**148**

**Y-SPLITTERS**

- 150 M12 male/M8 female/M8 female;  
M12 male/M12 female/M12 female
- 152 M12 male/DIN A, 18 mm/DIN A, 18 mm;  
DIN A, 18 mm/DIN A, 18 mm/M12 male



**156**

**TEES**



**164**

**FIELD  
ATTACHABLES**



**220**

**BULKHEADS**



## 226

RECEPTACLES



## 250

ADAPTERS



## 256

TERMINATING  
RESISTORS



## 262

JUNCTION BLOCKS

- 264 M8, 3-pin, 4-pin, cable connection
- 266 M8, 3-pin, 4-pin, plug connection
- 268 M8, 3-pin, plug connection
- 270 M12, 3-pin + PE, 4-pin + PE, cable connection
- 272 M12, 3-pin + PE, 4-pin + PE, plug connection
- 274 M12, 3-pin with PE, 4-pin with PE, hood connection



## 288

BASICS AND  
GLOSSARY



Large selection,  
flexible use

SINGLE-ENDED  
CORDSETS

DOUBLE-ENDED  
CORDSETS

BULK CABLES



In our comprehensive product range of single- and double-ended cord-sets for every industry, you are guaranteed to find the right connection for your application. Signals, data and power are always reliably transmitted. We also offer various cable types and connectors for great flexibility in making your selection.

Also available are bulk cables in the same proven quality as our assembled cables in various materials with various cross-sections. These can be trimmed to length. This makes their use highly flexible.

#### The most important benefits

- Large selection for every industry
- Various cable types, various plug connectors
- Robust and industrial grade
- Reliably transmit signals, data and power



		BCC M313 ...	
Connection		M8 female, A-coded	
Version		straight	
Rated voltage	No LED	60 V AC/DC	
	with LED	30 V DC	
Rated current		4 A	
Degree of protection	unshielded	IP67, IP69K	
	shielded	IP67	
unshielded, no LED		BCC M313-0000-10-001-_____①-___②	
unshielded, 2 × PNP-LED		BCC M313-0000-10-004-_____①-___②	
unshielded, 2 × NPN-LED		-	
shielded, no LED		BCC M313-0000-10-036-_____①-___②	
Approval/Conformity		CE, UL, EAC	
For drawing see page		120	

**M8 female**



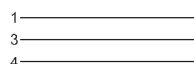
**M8 male**



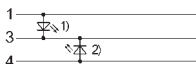
**unshielded, no LED**



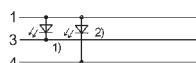
**unshielded, no LED**



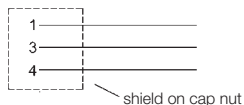
**unshielded, 2 × PNP-LED\***



**unshielded, 2 × NPN-LED\***



**shielded, no LED**



\* <sup>1)</sup> LED green = Power  
<sup>2)</sup> LED yellow = Function



BCC M313 ...	BCC M323 ...	BCC M323 ...
M8 male, A-coded	M8 female, A-coded	M8 male, A-coded
straight	angled	angled
60 V AC/DC	60 V AC/DC	60 V AC/DC
–	30 V DC	–
4 A	4 A	4 A
IP67, IP69K	IP67, IP69K	IP67, IP69K
	IP67	
BCC M313-0000-20-001-_____①-____②	BCC M323-0000-10-001-_____①-____②	BCC M323-0000-20-001-_____①-____②
–	BCC M323-0000-10-004-_____①-____②	–
–	BCC M323-0000-10-006-_____①-____②	–
–	BCC M323-0000-10-036-_____①-____②	–
CE, UL, EAC	CE, UL, EAC	CE, UL, EAC
120	120	120

①	Material	Color	Number of conductors x conductor cross-section	Cable temperature fixed in place	Cable temperature flexed
<b>UNSHIELDED</b>					
PX0334	PUR	Black	3 × 0.34 mm <sup>2</sup>	–50...+90 °C	–25...+90 °C
VX8334	PVC	Gray	3 × 0.34 mm <sup>2</sup>	–40...+105 °C	–5...+105 °C
EX43T2	TPE	Yellow	3 × AWG22	–50...+105 °C	–25...+105 °C
VX43T2	PVC	Yellow	3 × AWG22	–40...+105 °C	–5...+105 °C
<b>SHIELDED</b>					
PS0334	PUR	Black	3 × 0.34 mm <sup>2</sup>	–50...+90 °C	–25...+90 °C
VS8334	PVC	Gray	3 × 0.34 mm <sup>2</sup>	–40...+105 °C	–5...+105 °C

②	Cable length
<b>CONNECTION CABLE</b>	
020	2 m
050	5 m
100	10 m

Other cable lengths on request!

**AVAILABLE AS BULK CABLE**

	Order code	Part number	Cable length
PX0334	BCC0AC7	BCC 0000-0000-00-000-PX0334-10X	100 m
VX8334	BCC0C15	BCC 0000-0000-00-000-VX8334-10X	100 m
EX43T2	BCC0AEC	BCC 0000-0000-00-001-EX43T2-10X	100 m
VX43T2	BCC0AE7	BCC 0000-0000-00-001-VX43T2-10X	100 m



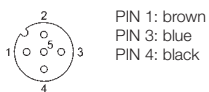
Sensors  
RFID  
Machine Vision and Optical Identification  
Human Machine Interfaces  
Systems  
Safety  
Industrial Networking  
Power Supplies  
Connectivity  
Accessories



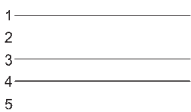


		BCC M415 ...	
Connection		M12 female, A-coded	
Version		straight	
Rated voltage	No LED	250 V AC/DC	
	with LED	30 V DC	
Rated current		4 A	
Degree of protection	unshielded	IP67, IP68, IP69K	
	shielded	IP67	
unshielded, no LED, N.O. signal		BCC M415-0000-1A-001-_____①-___②	
unshielded, 2 × PNP-LED, N.O. signal		BCC M415-0000-1A-004-_____①-___②	
unshielded, 2 × NPN-LED, N.O. signal		–	
shielded, no LED, N.O. signal		BCC M415-0000-1A-036-_____①-___②	
unshielded, no LED, N.C. signal		BCC M415-0000-1A-002-_____①-___②	
unshielded, 2 × PNP-LED, N.C. signal		BCC M415-0000-1A-005-_____①-___②	
shielded, no LED, N.C. signal		BCC M415-0000-1A-037-_____①-___②	
Approval/Conformity		CE, UL, EAC	
For drawing see page		120	

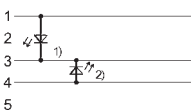
**M12 female, N.O. signal**



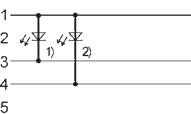
unshielded, no LED



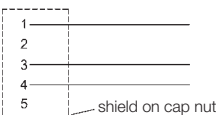
unshielded, 2 × PNP-LED\*



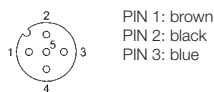
unshielded, 2 × NPN-LED\*



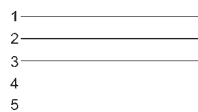
shielded, no LED



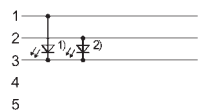
**M12 female, N.C. signal**



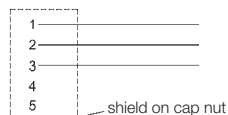
unshielded, no LED



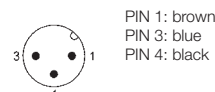
unshielded, 2 × PNP-LED\*



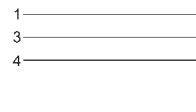
shielded, no LED



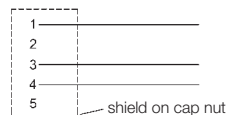
**M12 male, N.O. signal**



unshielded, no LED



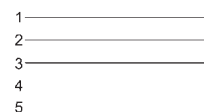
shielded, no LED



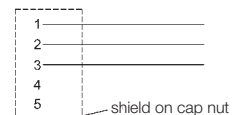
**M12 male, N.C. signal**



unshielded, no LED



shielded, no LED





BCC M413 ...	BCC M425 ...	BCC M413 ...
M12 male, A-coded	M12 female, A-coded	M12 male, A-coded
straight	angled	angled
250 V AC/DC	250 V AC/DC	250 V AC/DC
–	30 V DC	–
4 A	4 A	4 A
IP67, IP68, IP69K	IP67, IP68, IP69K	IP67, IP68, IP69K
IP67	IP67	IP67
BCC M413-0000-2A-001-_____①-___②	BCC M425-0000-1A-001-_____①-___②	BCC M423-0000-2A-001-_____①-___②
–	BCC M425-0000-1A-004-_____①-___②	–
–	BCC M425-0000-1A-006-_____①-___②	–
BCC M413-0000-2A-036-_____①-___②	BCC M425-0000-1A-036-_____①-___②	BCC M423-0000-2A-036-_____①-___②
BCC M413-0000-2A-002-_____①-___②	BCC M425-0000-1A-002-_____①-___②	–
–	BCC M425-0000-1A-005-_____①-___②	–
BCC M413-0000-2A-037-_____①-___②	BCC M425-0000-1A-037-_____①-___②	–
CE, UL, EAC	CE, UL, EAC	CE, UL, EAC
121	121	121

①	Material	Color	Number of conductors × conductor cross-section	Cable temperature fixed in place	Cable temperature flexed
<b>UNSHIELDED</b>					
PX0334	PUR	Black	3 × 0.34 mm <sup>2</sup>	–50...+90 °C	–25...+90 °C
VX8334	PVC	Gray	3 × 0.34 mm <sup>2</sup>	–40...+105 °C	–5...+105 °C
EX43T2	TPE	Yellow	3 × AWG22	–50...+105 °C	–25...+105 °C
VX43T2	PVC	Yellow	3 × AWG22	–40...+105 °C	–5...+105 °C
<b>SHIELDED</b>					
PS0334	PUR	Black	3 × 0.34 mm <sup>2</sup>	–50...+90 °C	–25...+90 °C
VS8334	PVC	Gray	3 × 0.34 mm <sup>2</sup>	–40...+105 °C	–5...+105 °C

②	Cable length
<b>CONNECTION CABLE</b>	
020	2 m
050	5 m
100	10 m

Other cable lengths on request!

**AVAILABLE AS BULK CABLE**

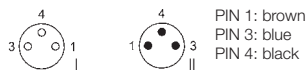
	Order code	Part number	Cable length
PX0334	BCC0AC7	BCC 0000-0000-00-000-PX0334-10X	100 m
VX8334	BCC0C15	BCC 0000-0000-00-000-VX8334-10X	100 m
EX43T2	BCC0AEC	BCC 0000-0000-00-001-EX43T2-10X	100 m
VX43T2	BCC0AE7	BCC 0000-0000-00-001-VX43T2-10X	100 m



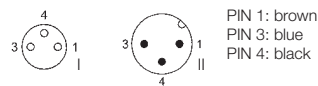


		BCC M313-M313 ...
Connection		M8 female, A-coded/ M8 male, A-coded
Version		straight/straight
Rated voltage		60 V AC/DC
Rated current		4 A
Degree of protection		IP67, IP69K/IP67, IP69K
unshielded, no LED		BCC M313-M313-30-300-____-①-____②
unshielded, no LED, N.O. signal		-
Approval/Conformity		CE, UL, EAC
For drawing see page		121

**M8 female/M8 male**



**M8 female/M12 male, N.O. signal**



**unshielded, no LED**



**unshielded, no LED**





BCC M313-M323 ...	BCC M313-M413 ...	BCC M313-M423 ...
M8 female, A-coded/ M8 male, A-coded	M8 female, A-coded/ M12 male, A-coded	M8 female, A-coded/ M12 male, A-coded
straight/angled	straight/straight	straight/angled
60 V AC/DC	60 V AC/DC	60 V AC/DC
4 A	4 A	4 A
IP67, IP69K/IP67, IP69K	IP67, IP69K/IP67, IP68, IP69K	IP67, IP69K/IP67, IP68, IP69K
BCC M313-M323-30-300-____①-____②	–	–
–	BCC M313-M413-3E-300-____①-____②	BCC M313-M423-3E-300-____①-____②
CE, UL, EAC	CE, UL, EAC	CE, UL, EAC
121	122	122

①	Material	Color	Number of conductors x conductor cross-section	Cable temperature fixed in place	Cable temperature flexed
<b>UNSHIELDED</b>					
PX0334	PUR	Black	3 × 0.34 mm <sup>2</sup>	–50...+90 °C	–25...+90 °C
VX8334	PVC	Gray	3 × 0.34 mm <sup>2</sup>	–40...+105 °C	–5...+105 °C
EX43T2	TPE	Yellow	3 × AWG22	–50...+105 °C	–25...+105 °C
VX43T2	PVC	Yellow	3 × AWG22	–40...+105 °C	–5...+105 °C

②	Cable length
<b>CABLE</b>	
003	0.3 m
006	0.6 m
010	1 m
015	1.5 m
020	2 m
050	5 m

Other cable lengths on request!

**AVAILABLE AS BULK CABLE**

	Order code	Part number	Cable length
PX0334	BCC0AC7	BCC 0000-0000-00-000-PX0334-10X	100 m
VX8334	BCC0C15	BCC 0000-0000-00-000-VX8334-10X	100 m
EX43T2	BCC0AEC	BCC 0000-0000-00-001-EX43T2-10X	100 m
VX43T2	BCC0AE7	BCC 0000-0000-00-001-VX43T2-10X	100 m

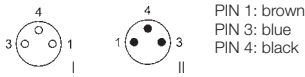


Sensors  
RFID  
Machine Vision and Optical Identification  
Human Machine Interfaces  
Systems  
Safety  
Industrial Networking  
Power Supplies  
Connectivity  
Accessories



		BCC M323-M313 ...
Connection		M8 female, A-coded/ M8 male, A-coded
Version		angled/straight
Rated voltage	No LED	60 V AC/DC
	with LED	30 V DC
Rated current		4 A
Degree of protection		IP67, IP69K/IP67, IP69K
unshielded, no LED		BCC M323-M313-30-300-_____①-___②
unshielded, 2 × PNP-LED		BCC M323-M313-30-602-_____①-___②
unshielded, no LED, N.O. signal		–
unshielded, PNP-LED, N.O. signal		–
Approval/Conformity		CE, UL, EAC
For drawing see page		122

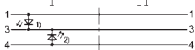
**M8 female/M8 male**



**unshielded, no LED**

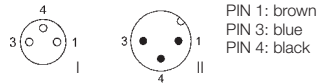


**unshielded, 2 × PNP-LED\***



\* 1) LED green = Power  
2) LED yellow = Function

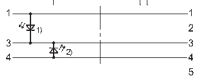
**M8 female/M12 male, N.O. signal**



**unshielded, no LED**



**unshielded, 2 × PNP-LED\***





BCC M323-M323 ...	BCC M323-M413 ...	BCC M323-M423 ...
M8 female, A-coded/ M8 male, A-coded	M8 female, A-coded/ M12 male, A-coded	M8 female, A-coded/ M12 male, A-coded
angled/angled	angled/straight	angled/angled
60 V AC/DC	60 V AC/DC	60 V AC/DC
–	30 V DC	–
4 A	4 A	4 A
IP67, IP69K/IP67, IP69K	IP67, IP69K/IP67, IP68, IP69K	IP67, IP69K/IP67, IP68, IP69K
BCC M323-M323-30-300-_____①-____②	–	–
–	–	–
–	BCC M323-M413-3E-300-_____①-____②	BCC M323-M423-3E-300-_____①-____②
–	BCC M323-M413-3E-602-_____①-____②	–
CE, UL, EAC	CE, UL, EAC	CE, UL, EAC
122	122	122

①	Material	Color	Number of conductors x conductor cross-section	Cable temperature fixed in place	Cable temperature flexed
<b>UNSHIELDED</b>					
PX0334	PUR	Black	3 × 0.34 mm <sup>2</sup>	–50...+90 °C	–25...+90 °C
VX8334	PVC	Gray	3 × 0.34 mm <sup>2</sup>	–40...+105 °C	–5...+105 °C
EX43T2	TPE	Yellow	3 × AWG22	–50...+105 °C	–25...+105 °C
VX43T2	PVC	Yellow	3 × AWG22	–40...+105 °C	–5...+105 °C

②	Cable length
<b>CABLE</b>	
003	0.3 m
006	0.6 m
010	1 m
015	1.5 m
020	2 m
050	5 m

Other cable lengths on request!

**AVAILABLE AS BULK CABLE**

	Order code	Part number	Cable length
PX0334	BCC0AC7	BCC 0000-0000-00-000-PX0334-10X	100 m
VX8334	BCC0C15	BCC 0000-0000-00-000-VX8334-10X	100 m
EX43T2	BCC0AEC	BCC 0000-0000-00-001-EX43T2-10X	100 m
VX43T2	BCC0AE7	BCC 0000-0000-00-001-VX43T2-10X	100 m



Sensors

RFID

Machine Vision and  
Optical Identification

Human Machine  
Interfaces

Systems

Safety

Industrial Networking

Power Supplies

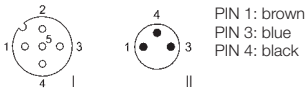
Connectivity

Accessories



	<b>BCC M415-M313 ...</b>	
Connection	M12 female, A-coded/ M8 male, A-coded	
Version	straight/straight	
Rated voltage	60 V AC/DC	
Rated current	4 A	
Degree of protection	IP67, IP68, IP69K/IP67, IP69K	
unshielded, no LED, N.O. signal	BCC M415-M313-3F-300-____@-__@	
Approval/Conformity	CE, UL, EAC	
For drawing see page	122	

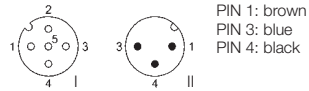
**M12 female/M8 male,  
N.O. signal**



**unshielded, no LED**



**M12 female/M12 male,  
N.O. signal**



**unshielded, no LED**





BCC M415-M323 ...	BCC M415-M413 ...	BCC M415-M423 ...
M12 female, A-coded/ M8 male, A-coded	M12 female, A-coded/ M12 male, A-coded	M12 female, A-coded/ M12 male, A-coded
straight/angled	straight/straight	straight/angled
60 V AC/DC	250 V AC/DC	250 V AC/DC
4 A	4 A	4 A
IP67, IP68, IP69K/IP67, IP69K	IP67, IP68, IP69K/IP67, IP68, IP69K	IP67, IP68, IP69K/IP67, IP68, IP69K
BCC M415-M323-3F-300-____①-__②	BCC M415-M413-3A-300-____①-__②	BCC M415-M423-3A-300-____①-__②
CE, UL, EAC	CE, UL, EAC	CE, UL, EAC
122	123	123

①	Material	Color	Number of conductors × conductor cross-section	Cable temperature fixed in place	Cable temperature flexed
<b>UNSHIELDED</b>					
PX0334	PUR	Black	3 × 0.34 mm <sup>2</sup>	-50...+90 °C	-25...+90 °C
VX8334	PVC	Gray	3 × 0.34 mm <sup>2</sup>	-40...+105 °C	-5...+105 °C
EX43T2	TPE	Yellow	3 × AWG22	-50...+105 °C	-25...+105 °C
VX43T2	PVC	Yellow	3 × AWG22	-40...+105 °C	-5...+105 °C

②	Cable length
<b>CABLE</b>	
003	0.3 m
006	0.6 m
010	1 m
015	1.5 m
020	2 m
050	5 m

Other cable lengths on request!

**AVAILABLE AS BULK CABLE**

	Order code	Part number	Cable length
PX0334	BCC0AC7	BCC 0000-0000-00-000-PX0334-10X	100 m
VX8334	BCC0C15	BCC 0000-0000-00-000-VX8334-10X	100 m
EX43T2	BCC0AEC	BCC 0000-0000-00-001-EX43T2-10X	100 m
VX43T2	BCC0AE7	BCC 0000-0000-00-001-VX43T2-10X	100 m

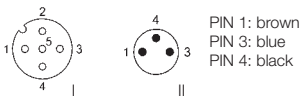




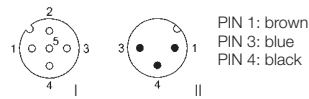


		BCC M425-M313 ...	
Connection		M12 female, A-coded/ M8 male, A-coded	
Version		angled/straight	
Rated voltage	No LED	60 V AC/DC	
	with LED	30 V DC	
Rated current		4 A	
Degree of protection		IP67, IP68, IP69K/IP67, IP69K	
unshielded, no LED, N.O. signal		BCC M425-M313-3F-300-_____①-___②	
unshielded, 2 × PNP-LED, N.O. signal		BCC M425-M313-3F-602-_____①-___②	
Approval/Conformity		CE, UL, EAC	
For drawing see page		123	

**M12 female/M8 male,  
N.O. signal**



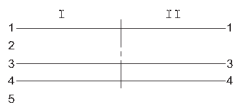
**M12 female/M12 male,  
N.O. signal**



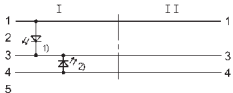
**unshielded, no LED**



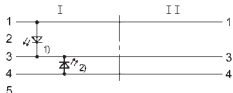
**unshielded, no LED**



**unshielded, 2 × PNP-LED\***



**unshielded, 2 × PNP-LED\***



\* <sup>1)</sup> LED green = Power  
<sup>2)</sup> LED yellow = Function



BCC M425-M323 ...	BCC M425-M413 ...	BCC M425-M423 ...
M12 female, A-coded/ M8 male, A-coded	M12 female, A-coded/ M12 male, A-coded	M12 female, A-coded/ M12 male, A-coded
angled/angled	angled/straight	angled/angled
60 V AC/DC	250 V AC/DC	250 V AC/DC
30 V DC	30 V DC	-
4 A	4 A	4 A
IP67, IP68, IP69K/IP67, IP69K	IP67, IP68, IP69K/IP67, IP68, IP69K	IP67, IP68, IP69K/IP67, IP68, IP69K
BCC M425-M323-3F-300-_____①-___②	BCC M425-M413-3A-300-_____①-___②	BCC M425-M423-3A-300-_____①-___②
BCC M425-M323-3F-602-_____①-___②	BCC M425-M413-3A-602-_____①-___②	-
CE, UL, EAC	CE, UL, EAC	CE, UL, EAC
123	123	123

①	Material	Color	Number of conductors x conductor cross-section	Cable temperature fixed in place	Cable temperature flexed
<b>UNSHIELDED</b>					
PX0334	PUR	Black	3 × 0.34 mm <sup>2</sup>	-50...+90 °C	-25...+90 °C
VX8334	PVC	Gray	3 × 0.34 mm <sup>2</sup>	-40...+105 °C	-5...+105 °C
EX43T2	TPE	Yellow	3 × AWG22	-50...+105 °C	-25...+105 °C
VX43T2	PVC	Yellow	3 × AWG22	-40...+105 °C	-5...+105 °C

②	Cable length
<b>CABLE</b>	
003	0.3 m
006	0.6 m
010	1 m
015	1.5 m
020	2 m
050	5 m

Other cable lengths on request!

**AVAILABLE AS BULK CABLE**

	Order code	Part number	Cable length
PX0334	BCC0AC7	BCC 0000-0000-00-000-PX0334-10X	100 m
VX8334	BCC0C15	BCC 0000-0000-00-000-VX8334-10X	100 m
EX43T2	BCC0AEC	BCC 0000-0000-00-001-EX43T2-10X	100 m
VX43T2	BCC0AE7	BCC 0000-0000-00-001-VX43T2-10X	100 m

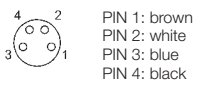


Sensors  
RFID  
Machine Vision and Optical Identification  
Human Machine Interfaces  
Systems  
Safety  
Industrial Networking  
Power Supplies  
Connectivity  
Accessories



		BCC M314 ...	
Connection		M8 female, A-coded	
Version		straight	
Rated voltage	No LED	60 V AC/DC	
	with LED	–	
Rated current		4 A	
Degree of protection	unshielded	IP67, IP69K	
	shielded	IP67	
unshielded, no LED		BCC M314-0000-10-003-_____①-____②	
unshielded, 2 × PNP-LED		–	
shielded, no LED		BCC M314-0000-10-014-_____①-____②	
Approval/Conformity		CE, UL, EAC	
For drawing see page		123	

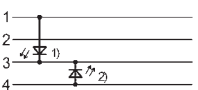
**M8 female**



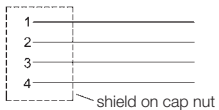
**unshielded, no LED**



**unshielded, 2 × PNP-LED\***



**shielded, no LED**

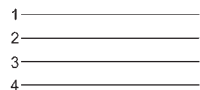


\* 1) LED green = Power  
 2) LED yellow = Function

**M8 male**



**unshielded, no LED**





BCC M314 ...	BCC M324 ...	BCC M324 ...
M8 male, A-coded	M8 female, A-coded	M8 male, A-coded
straight	angled	angled
60 V AC/DC	60 V AC/DC	60 V AC/DC
–	30 V DC	–
4 A	4 A	4 A
IP67, IP69K	IP67, IP69K	IP67, IP69K
–	IP67	–
BCC M314-0000-20-003-_____①-___②	BCC M324-0000-10-003-_____①-___②	BCC M324-0000-20-003-_____①-___②
–	BCC M324-0000-10-008-_____①-___②	–
–	BCC M324-0000-10-014-_____①-___②	–
CE, UL, EAC	CE, UL, EAC	CE, UL, EAC
124	124	124

①	Material	Color	Number of conductors × conductor cross-section	Cable temperature fixed in place	Cable temperature flexed
<b>UNSHIELDED</b>					
PX0434	PUR	Black	4 × 0.34 mm <sup>2</sup>	–50...+90 °C	–25...+90 °C
VX8434	PVC	Gray	4 × 0.34 mm <sup>2</sup>	–40...+105 °C	–5...+105 °C
EX44T2	TPE	Yellow	4 × AWG22	–50...+105 °C	–25...+105 °C
VX44T2	PVC	Yellow	4 × AWG22	–40...+105 °C	–5...+105 °C
<b>SHIELDED</b>					
PS0434	PUR	Black	4 × 0.34 mm <sup>2</sup>	–50...+90 °C	–25...+90 °C
VS8434	PVC	Gray	4 × 0.34 mm <sup>2</sup>	–40...+105 °C	–5...+105 °C

②	Cable length
<b>CONNECTION CABLE</b>	
020	2 m
050	5 m
100	10 m

Other cable lengths on request!

**AVAILABLE AS BULK CABLE**

	Order code	Part number	Cable length
PX0434	BCC0AC8	BCC 0000-0000-00-000-PX0434-10X	100 m
VX8434	BCC0C14	BCC 0000-0000-00-000-VX8434-10X	100 m
EX44T2	BCC0AEE	BCC 0000-0000-00-003-EX44T2-10X	100 m
VX44T2	BCC0AE8	BCC 0000-0000-00-003-VX44T2-10X	100 m

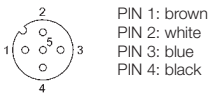


Sensors  
RFID  
Machine Vision and Optical Identification  
Human Machine Interfaces  
Systems  
Safety  
Industrial Networking  
Power Supplies  
Connectivity  
Accessories

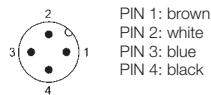


		BCC M415 ...	
Connection		M12 female, A-coded	
Version		straight	
Rated voltage	No LED	250 V AC/DC	
	with LED	30 V DC	
Rated current		4 A	
Degree of protection	unshielded	IP67, IP68, IP69K	
	shielded	IP67	
unshielded, no LED		BCC M415-0000-1A-003-_____①-__②	
unshielded, 2 × PNP-LED		BCC M415-0000-1A-008-_____①-__②	
unshielded, 3 × PNP-LED		BCC M415-0000-1A-010-_____①-__②	
shielded, no LED		BCC M415-0000-1A-014-_____①-__②	
Approval/Conformity		CE, UL, EAC	
For drawing see page		124	

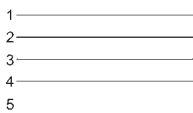
**M12 female**



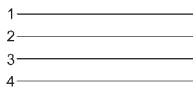
**M12 male**



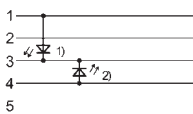
**unshielded, no LED**



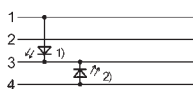
**unshielded, no LED**



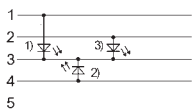
**unshielded, 2 × PNP-LED\***



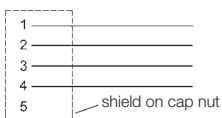
**unshielded, 2 × PNP-LED\***



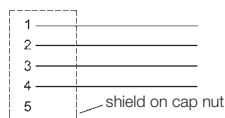
**unshielded, 3 × PNP-LED\***



**shielded, no LED**



**shielded, no LED**



\* 1) LED green = Power  
2) LED yellow = Function  
3) LED white = Function



BCC M414 ...	BCC M425 ...	BCC M424 ...
M12 male, A-coded	M12 female, A-coded	M12 female, A-coded
straight	angled	angled
250 V AC/DC	250 V AC/DC	250 V AC/DC
–	30 V DC	30 V DC
4 A	4 A	4 A
IP67, IP68, IP69K	IP67, IP68, IP69K	IP67, IP68, IP69K
IP67	IP67	IP67
BCC M414-0000-2A-003-_____①-___②	BCC M425-0000-1A-003-_____①-___②	BCC M424-0000-2A-003-_____①-___②
–	BCC M425-0000-1A-008-_____①-___②	BCC M424-0000-2A-008-_____①-___②
–	BCC M425-0000-1A-010-_____①-___②	–
BCC M414-0000-2A-014-_____①-___②	BCC M425-0000-1A-014-_____①-___②	BCC M424-0000-2A-014-_____①-___②
CE, UL, EAC	CE, UL, EAC	CE, UL, EAC
124	125	125

①	Material	Color	Number of conductors x conductor cross-section	Cable temperature fixed in place	Cable temperature flexed
<b>UNSHIELDED</b>					
PX0434	PUR	Black	4 x 0.34 mm <sup>2</sup>	-50...+90 °C	-25...+90 °C
VX8434	PVC	Gray	4 x 0.34 mm <sup>2</sup>	-40...+105 °C	-5...+105 °C
EX44T2	TPE	Yellow	4 x AWG22	-50...+105 °C	-25...+105 °C
VX44T2	PVC	Yellow	4 x AWG22	-40...+105 °C	-5...+105 °C
<b>SHIELDED</b>					
PS0434	PUR	Black	4 x 0.34 mm <sup>2</sup>	-50...+90 °C	-25...+90 °C
VS8434	PVC	Gray	4 x 0.34 mm <sup>2</sup>	-40...+105 °C	-5...+105 °C

②	Cable length
<b>CONNECTION CABLE</b>	
020	2 m
050	5 m
100	10 m

Other cable lengths on request!

**AVAILABLE AS BULK CABLE**

	Order code	Part number	Cable length
PX0434	BCC0AC8	BCC 0000-0000-00-000-PX0434-10X	100 m
VX8434	BCC0C14	BCC 0000-0000-00-000-VX8434-10X	100 m
EX44T2	BCC0AEE	BCC 0000-0000-00-003-EX44T2-10X	100 m
VX44T2	BCC0AE8	BCC 0000-0000-00-003-VX44T2-10X	100 m



Sensors

RFID

Machine Vision and Optical Identification

Human Machine Interfaces

Systems

Safety

Industrial Networking

Power Supplies

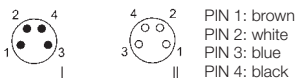
Connectivity

Accessories



	<b>BCC M314-M314 ...</b>	
Connection	M8 female, A-coded/ M8 male, A-coded	
Version	straight/straight	
Rated voltage	60 V AC/DC	
Rated current	4 A	
Degree of protection	IP67, IP69K/IP67, IP69K	
unshielded, no LED	BCC M314-M314-30-304-_____①-__ _②	
Approval/Conformity	CE, UL, EAC	
For drawing see page	125	

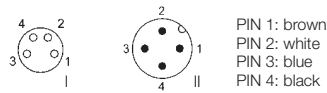
**M8 female/M8 male**



**unshielded, no LED**



**M8 female/M12 male**



**unshielded, no LED**





BCC M314-M324 ...	BCC M314-M414 ...	BCC M314-M424 ...
M8 female, A-coded/ M8 male, A-coded	M8 female, A-coded/ M12 male, A-coded	M8 female, A-coded/ M12 male, A-coded
straight/angled	straight/straight	straight/angled
60 V AC/DC	60 V AC/DC	60 V AC/DC
4 A	4 A	4 A
IP67, IP69K/IP67, IP69K	IP67, IP69K/IP67, IP68, IP69K	IP67, IP69K/IP67, IP68, IP69K
BCC M314-M324-30-304-_____①-__②	BCC M314-M414-3E-304-_____①-__②	BCC M314-M424-3E-304-_____①-__②
CE, UL, EAC	CE, UL, EAC	CE, UL, EAC
125	125	125

①	Material	Color	Number of conductors x conductor cross-section	Cable temperature fixed in place	Cable temperature flexed
<b>UNSHIELDED</b>					
PX0434	PUR	Black	4 x 0.34 mm <sup>2</sup>	-50...+90 °C	-25...+90 °C
VX8434	PVC	Gray	4 x 0.34 mm <sup>2</sup>	-40...+105 °C	-5...+105 °C
EX44T2	TPE	Yellow	4 x AWG22	-50...+105 °C	-25...+105 °C
VX44T2	PVC	Yellow	4 x AWG22	-40...+105 °C	-5...+105 °C

②	Cable length
<b>CABLE</b>	
003	0.3 m
006	0.6 m
010	1 m
015	1.5 m
020	2 m
050	5 m

Other cable lengths on request!

**AVAILABLE AS BULK CABLE**

	Order code	Part number	Cable length
PX0434	BCC0AC8	BCC 0000-0000-00-000-PX0434-10X	100 m
VX8434	BCC0C14	BCC 0000-0000-00-000-VX8434-10X	100 m
EX44T2	BCC0AEE	BCC 0000-0000-00-003-EX44T2-10X	100 m
VX44T2	BCC0AE8	BCC 0000-0000-00-003-VX44T2-10X	100 m

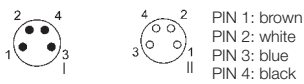




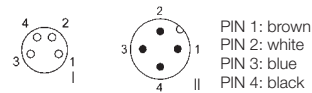


		BCC M324-M314 ...
Connection		M8 female, A-coded/ M8 male, A-coded
Version		angled/straight
Rated voltage		60 V AC/DC
Rated current		4 A
Degree of protection		IP67, IP69K/IP67, IP69K
unshielded, no LED		BCC M324-M314-30-304-_____①-___②
Approval/Conformity		CE, UL, EAC
For drawing see page		126

**M8 female/M8 male**



**M8 female/M12 male**



**unshielded, no LED**



**unshielded, no LED**





BCC M324-M324 ...	BCC M324-M414 ...	BCC M324-M424 ...
M8 female, A-coded/ M8 male, A-coded	M8 female, A-coded/ M12 male, A-coded	M8 female, A-coded/ M12 male, A-coded
angled/angled	angled/straight	angled/angled
60 V AC/DC	60 V AC/DC	60 V AC/DC
4 A	4 A	4 A
IP67, IP69K/IP67, IP69K	IP67, IP69K/IP67, IP68, IP69K	IP67, IP69K/IP67, IP68, IP69K
BCC M324-M324-30-304-_____①-__②	BCC M324-M414-3E-304-_____①-__②	BCC M324-M424-3E-304-_____①-__②
CE, UL, EAC	CE, UL, EAC	CE, UL, EAC
126	126	126

①	Material	Color	Number of conductors × conductor cross-section	Cable temperature fixed in place	Cable temperature flexed
<b>UNSHIELDED</b>					
PX0434	PUR	Black	4 × 0.34 mm <sup>2</sup>	-50...+90 °C	-25...+90 °C
VX8434	PVC	Gray	4 × 0.34 mm <sup>2</sup>	-40...+105 °C	-5...+105 °C
EX44T2	TPE	Yellow	4 × AWG22	-50...+105 °C	-25...+105 °C
VX44T2	PVC	Yellow	4 × AWG22	-40...+105 °C	-5...+105 °C

②	Cable length
<b>CABLE</b>	
003	0.3 m
006	0.6 m
010	1 m
015	1.5 m
020	2 m
050	5 m

Other cable lengths on request!

**AVAILABLE AS BULK CABLE**

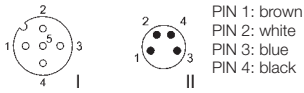
	Order code	Part number	Cable length
PX0434	BCC0AC8	BCC 0000-0000-00-000-PX0434-10X	100 m
VX8434	BCC0C14	BCC 0000-0000-00-000-VX8434-10X	100 m
EX44T2	BCC0AEE	BCC 0000-0000-00-003-EX44T2-10X	100 m
VX44T2	BCC0AE8	BCC 0000-0000-00-003-VX44T2-10X	100 m



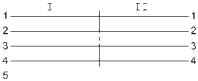


		BCC M415-M314 ...
Connection		M12 female, A-coded/ M8 male, A-coded
Version		straight/straight
Rated voltage	No LED	60 V AC/DC
	with LED	–
Rated current		4 A
Degree of protection	unshielded	IP67, IP68, IP69K/IP67, IP69K
	shielded	–
unshielded, no LED		BCC M415-M314-3F-304-____①-____②
unshielded, 2 × PNP-LED		–
shielded, no LED		–
Approval/Conformity		CE, UL, EAC
For drawing see page		126

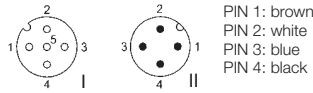
**M12 female/M8 male**



**unshielded, no LED**



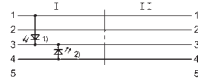
**M12 female/M12 male**



**unshielded, no LED**

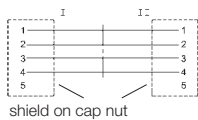


**unshielded, 2 × PNP-LED\***



\* 1) LED green = Power  
2) LED yellow = Function

**shielded, no LED**





BCC M415-M324 ...	BCC M415-M414 ...	BCC M415-M424 ...
M12 female, A-coded/ M8 male, A-coded	M12 female, A-coded/ M12 male, A-coded	M12 female, A-coded/ M12 male, A-coded
straight/angled	straight/straight	straight/angled
60 V AC/DC	250 V AC/DC	250 V AC/DC
–	30 V DC	–
4 A	4 A	4 A
IP67, IP68, IP69K/IP67, IP69K	IP67, IP68, IP69K/IP67, IP68, IP69K	IP67, IP68, IP69K/IP67, IP68, IP69K
–	IP67/IP67	–
BCC M415-M324-3F-304-_____①-____②	BCC M415-M414-3A-304-_____①-____②	BCC M415-M424-3A-304-_____①-____②
–	BCC M415-M414-3A-606-_____①-____②	–
–	BCC M415-M414-3A-305-PS0434①-____②	–
CE, UL, EAC	CE, UL, EAC	CE, UL, EAC
126	126	9

①	Material	Color	Number of conductors x conductor cross-section	Cable temperature fixed in place	Cable temperature flexed
<b>UNSHIELDED</b>					
PX0434	PUR	Black	4 × 0.34 mm <sup>2</sup>	–50...+90 °C	–25...+90 °C
VX8434	PVC	Gray	4 × 0.34 mm <sup>2</sup>	–40...+105 °C	–5...+105 °C
EX44T2	TPE	Yellow	4 × AWG22	–50...+105 °C	–25...+105 °C
VX44T2	PVC	Yellow	4 × AWG22	–40...+105 °C	–5...+105 °C
<b>SHIELDED</b>					
PS0434	PUR	Black	4 × 0.34 mm <sup>2</sup>	–50...+90 °C	–25...+90 °C

②	Cable length
<b>CABLE</b>	
003	0.3 m
006	0.6 m
010	1 m
015	1.5 m
020	2 m
050	5 m

Other cable lengths on request!

**AVAILABLE AS BULK CABLE**

	Order code	Part number	Cable length
PX0434	BCC0AC8	BCC 0000-0000-00-000-PX0434-10X	100 m
VX8434	BCC0C14	BCC 0000-0000-00-000-VX8434-10X	100 m
EX44T2	BCC0AEE	BCC 0000-0000-00-003-EX44T2-10X	100 m
VX44T2	BCC0AE8	BCC 0000-0000-00-003-VX44T2-10X	100 m



Sensors

RFID

Machine Vision and  
Optical Identification

Human Machine  
Interfaces

Systems

Safety

Industrial Networking

Power Supplies

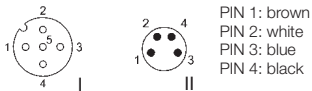
Connectivity

Accessories

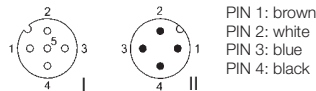


		BCC M425-M314 ...
Connection		M12 female, A-coded/ M8 male, A-coded
Version		angled/straight
Rated voltage	No LED	60 V AC/DC
	with LED	–
Rated current		4 A
Degree of protection		IP67, IP68, IP69K/IP67, IP69K
unshielded, no LED		BCC M425-M314-3F-304-____①-____②
unshielded, 2 × PNP-LED		–
Approval/Conformity		CE, UL, EAC
For drawing see page		127

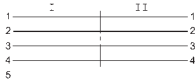
**M12 female/M8 male**



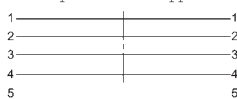
**M12 female/M12 male**



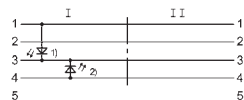
**unshielded, no LED**



**unshielded, no LED**



**unshielded, 2 × PNP-LED\***



\* 1) LED green = Power  
2) LED yellow = Function



BCC M425-M324 ...	BCC M425-M414 ...	BCC M425-M424 ...
M12 female, A-coded/ M8 male, A-coded	M12 female, A-coded/ M12 male, A-coded	M12 female, A-coded/ M12 male, A-coded
angled/angled	angled/straight	angled/angled
60 V AC/DC	250 V AC/DC	250 V AC/DC
–	30 V DC	–
4 A	4 A	4 A
IP67, IP68, IP69K/IP67, IP69K	IP67, IP68, IP69K/IP67, IP68, IP69K	IP67, IP68, IP69K/IP67, IP68, IP69K
BCC M425-M324-3F-304-_____①-___②	BCC M425-M414-3A-304-_____①-___②	BCC M425-M424-3A-304-_____①-___②
–	BCC M425-M414-3A-606-_____①-___②	–
CE, UL, EAC	CE, UL, EAC	CE, UL, EAC
127	127	127

①	Material	Color	Number of conductors x conductor cross-section	Cable temperature fixed in place	Cable temperature flexed
<b>UNSHIELDED</b>					
PX0434	PUR	Black	4 × 0.34 mm <sup>2</sup>	–50...+90 °C	–25...+90 °C
VX8434	PVC	Gray	4 × 0.34 mm <sup>2</sup>	–40...+105 °C	–5...+105 °C
EX44T2	TPE	Yellow	4 × AWG22	–50...+105 °C	–25...+105 °C
VX44T2	PVC	Yellow	4 × AWG22	–40...+105 °C	–5...+105 °C

②	Cable length
<b>CABLE</b>	
003	0.3 m
006	0.6 m
010	1 m
015	1.5 m
020	2 m
050	5 m

Other cable lengths on request!

**AVAILABLE AS BULK CABLE**

	Order code	Part number	Cable length
PX0434	BCC0AC8	BCC 0000-0000-00-000-PX0434-10X	100 m
VX8434	BCC0C14	BCC 0000-0000-00-000-VX8434-10X	100 m
EX44T2	BCC0AEE	BCC 0000-0000-00-003-EX44T2-10X	100 m
VX44T2	BCC0AE8	BCC 0000-0000-00-003-VX44T2-10X	100 m

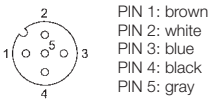


Sensors  
RFID  
Machine Vision and Optical Identification  
Human Machine Interfaces  
Systems  
Safety  
Industrial Networking  
Power Supplies  
Connectivity  
Accessories



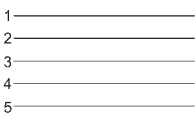
		BCC M415 ...
Connection		M12 female, A-coded
Version		straight
Rated voltage	No LED	60 V AC/DC
	with LED	–
Rated current		4 A
Degree of protection		IP67, IP68, IP69K
unshielded, no LED, no PE		BCC M415-0000-1A-017-PX0534④-__ _②
unshielded, no LED, with PE		BCC M415-0000-1A-034-PX0534④-__ _②
unshielded, 3 × PNP-LED, no PE		–
unshielded, 3 × PNP-LED, with PE		–
Approval/Conformity		CE, UL, EAC
For drawing see page		127

**M12 female, no PE**

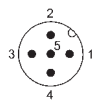


PIN 1: brown  
 PIN 2: white  
 PIN 3: blue  
 PIN 4: black  
 PIN 5: gray

**unshielded, no LED**

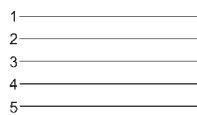


**M12 male, no PE**

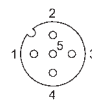


PIN 1: brown  
 PIN 2: white  
 PIN 3: blue  
 PIN 4: black  
 PIN 5: gray

**unshielded, no LED**

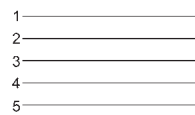


**M12 female, with PE**

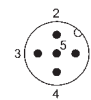


PIN 1: brown  
 PIN 2: white  
 PIN 3: blue  
 PIN 4: black  
 PIN 5: green/yellow

**unshielded, no LED**

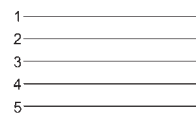


**M12 male, with PE**

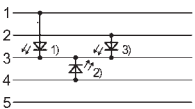


PIN 1: brown  
 PIN 2: white  
 PIN 3: blue  
 PIN 4: black  
 PIN 5: green/yellow

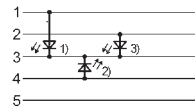
**unshielded, no LED**



**unshielded, 3 × PNP-LED\***



**unshielded, 3 × PNP-LED\***



\* <sup>1)</sup> LED green = Power  
<sup>2)</sup> LED yellow = Function  
<sup>3)</sup> LED white = Function



BCC M415 ...	BCC M425 ...
M12 male, A-coded	M12 female, A-coded
straight	angled
60 V AC/DC	60 V AC/DC
–	30 V DC
4 A	4 A
IP67, IP68, IP69K	IP67, IP68, IP69K
BCC M415-0000-2A-017-PX0534①-__ _②	BCC M425-0000-1A-017-PX0534①-__ _②
BCC M415-0000-2A-034-PX0534①-__ _②	BCC M425-0000-1A-034-PX0534①-__ _②
–	BCC M425-0000-1A-039-PX0534①-__ _②
–	BCC M425-0000-1A-040-PX0534①-__ _②
CE, UL, EAC	CE, UL, EAC
127	127

①	Material	Color	Number of conductors × conductor cross-section	Cable temperature fixed in place	Cable temperature flexed
<b>UNSHIELDED</b>					
PX0534	PUR	Black	5 × 0.34 mm <sup>2</sup>	–50...+90 °C	–25...+90 °C

②	Cable length
<b>CONNECTION CABLE</b>	
020	2 m
050	5 m
100	10 m

Other cable lengths on request!

**AVAILABLE AS BULK CABLE**

	Order code	Part number	Cable length
PX0534	BCC0AC9	BCC 0000-0000-00-000-PX0534-10X	100 m



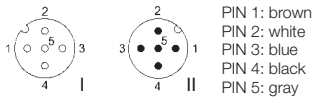
Sensors  
RFID  
Machine Vision and Optical Identification  
Human Machine Interfaces  
Systems  
Safety  
Industrial Networking  
Power Supplies  
Connectivity  
Accessories



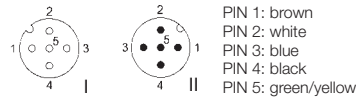


		BCC M415-M415 ...
Connection		M12 female, A-coded/ M12 male, A-coded
Version		straight/straight
Rated voltage	No LED	60 V AC/DC
	with LED	–
Rated current		4 A
Degree of protection	unshielded	IP67, IP68, IP69K/IP67, IP68, IP69K
	shielded	IP67/IP67
unshielded, no LED, no PE		BCC M415-M415-3A-312-PX0534①-__ _②
unshielded, no LED, with PE		BCC M415-M415-3A-313-PX0534①-__ _②
unshielded, 3 × PNP-LED, no PE		–
unshielded, 3 × PNP-LED, with PE		–
shielded, no LED, with PE		BCC M415-M415-3A-315-PS0534①-__ _②
Approval/Conformity		CE, UL, EAC
For drawing see page		128

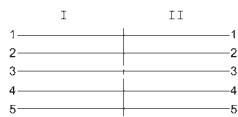
**M12 female/M12 male, no PE**



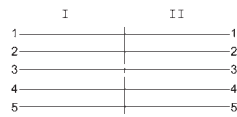
**M12 female/M12 male, with PE**



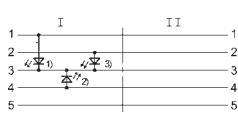
**unshielded, no LED**



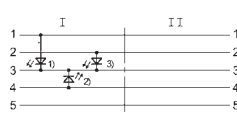
**unshielded, no LED**



**unshielded, 3 × PNP-LED\***

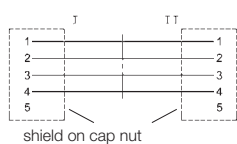


**unshielded, 3 × PNP-LED\***



\* 1) LED green = Power  
2) LED yellow = Function  
3) LED white = Function

**shielded, no LED**





BCC M425-M415 ...	BCC M425 ...
M12 female, A-coded/ M12 male, A-coded	M12 female, A-coded/ M12 male, A-coded
angled/straight	angled/angled
60 V AC/DC	–
30 V DC	30 V DC
4 A	4 A
IP67, IP68, IP69K/IP67, IP68, IP69K	IP67, IP68, IP69K/IP67, IP68, IP69K
–	–
BCC M425-M415-3A-312-PX0534①-__ _②	–
BCC M425-M415-3A-313-PX0534①-__ _②	–
BCC M425-M415-3A-660-PX0534①-__ _②	BCC M425-M425-3A-660-PX0534①-__ _②
BCC M425-M415-3A-661-PX0534①-__ _②	BCC M425-M425-3A-661-PX0534①-__ _②
–	–
CE, UL, EAC	CE, UL, EAC
128	128

①	Material	Color	Number of conductors x conductor cross-section	Cable temperature fixed in place	Cable temperature flexed
<b>UNSHIELDED</b>					
PX0534	PUR		5 × 0.34 mm <sup>2</sup>	–50...+90 °C	–25...+90 °C
<b>SHIELDED</b>					
PS0534	PUR		5 × 0.34 mm <sup>2</sup>	–50...+90 °C	–25...+90 °C

②	Cable length
<b>CABLE</b>	
003	0.3 m
006	0.6 m
010	1 m
015	1.5 m
020	2 m
050	5 m

Other cable lengths on request!

#### AVAILABLE AS BULK CABLE

	Order code	Part number	Cable length
PX0534	BCC0AC9	BCC 0000-0000-00-000-PX0534-10X	100 m



	BCC M418 ...	BCC M418 ...	
Connection	M12 female, A-coded	M12 male, A-coded	
Version	straight	straight	
Rated voltage	30 V AC/DC	30 V AC/DC	
Rated current	2 A	2 A	
Degree of protection	unshielded IP67, IP68, IP69K shielded IP67	IP67, IP68, IP69K -	
unshielded, no LED, junction block wiring	BCC M418-0000-1A-044-PX0825①-___②	BCC M418-0000-2A-044-PX0825①-___②	
unshielded, no LED, sensor wiring	BCC M418-0000-1A-069-PX0825①-___②	-	
shielded, no LED, sensor wiring	BCC M418-0000-1A-046-PS0825①-___②	-	
Approval/Conformity	CE, UL, EAC	CE, UL, EAC	
For drawing see page	128	128	

**M12 female, junction block wiring**



- PIN 1: white
- PIN 2: green
- PIN 3: yellow
- PIN 4: gray
- PIN 5: brown
- PIN 6: pink
- PIN 7: blue
- PIN 8: red

**unshielded, no LED**



**M12 female, sensor wiring**



- PIN 1: white
- PIN 2: brown
- PIN 3: green
- PIN 4: yellow
- PIN 5: gray
- PIN 6: pink
- PIN 7: blue
- PIN 8: red

**unshielded, no LED**



**M12 male, junction block wiring**



- PIN 1: white
- PIN 2: green
- PIN 3: yellow
- PIN 4: gray
- PIN 5: brown
- PIN 6: pink
- PIN 7: blue
- PIN 8: red

**unshielded, no LED**

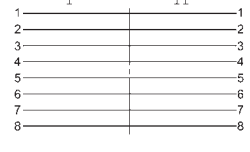


**M12 female/M12 male, junction block wiring**

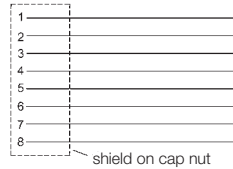


- PIN 1: white
- PIN 2: green
- PIN 3: yellow
- PIN 4: gray
- PIN 5: brown
- PIN 6: pink
- PIN 7: blue
- PIN 8: red

**unshielded, no LED**



**shielded, no LED**





BCC M428 ...	BCC M428 ...	BCC M418-M418 ...
M12 female, A-coded	M12 male, A-coded	M12 female, A-coded/ M12 male, A-coded
angled	angled	straight/straight
30 V AC/DC	30 V AC/DC	30 V AC/DC
2 A	2 A	2 A
IP67, IP68, IP69K	IP67, IP68, IP69K	IP67, IP68, IP69K/IP67, IP68, IP69K
IP67		
BCC M428-0000-1A-044-PX0825①-__ _ ②	BCC M428-0000-2A-044-PX0825①-__ _ ②	BCC M418-M418-3A-342-PX0825①-__ _ ②
BCC M428-0000-1A-069-PX0825①-__ _ ②	-	-
BCC M428-0000-1A-046-PS0825①-__ _ ②	-	-
CE, UL, EAC	CE, UL, EAC	CE, UL, EAC
128, 129	129	129

①	Material	Color	Number of conductors x conductor cross-section	Cable temperature fixed in place	Cable temperature flexed
<b>UNSHIELDED</b>					
PX0825	PUR	Black	8 x 0.25 mm <sup>2</sup>	-50...+80 °C	-25...+80 °C
<b>SHIELDED</b>					
PS0825	PUR	Black	8 x 0.25 mm <sup>2</sup>	-50...+90 °C	-25...+90 °C

②	Cable length
<b>CONNECTION CABLE</b>	
020	2 m
050	5 m
100	10 m
<b>CABLE</b>	
003	0.3 m
006	0.6 m
010	1 m
015	1.5 m
020	2 m
050	5 m

Other cable lengths on request!



	BCC M41C ...	BCC M41C ...	
Connection	M12 female, A-coded	M12 male, A-coded	
Version	straight	straight	
Rated voltage	30 V AC/DC	30 V AC/DC	
Rated current	1.5 A	1.5 A	
Degree of protection	IP67, IP68, IP69K	IP67, IP68, IP69K	
unshielded, no LED	BCC M41C-0000-1A-049-PX0C25 ①-__ _②	BCC M41C-0000-2A-049-PX0C25①-__ _②	
Approval/Conformity	CE, UL, EAC	CE, UL, EAC	
For drawing see page	129	129	

**M12 female**



- PIN 1: brown
- PIN 2: blue
- PIN 3: white
- PIN 4: green
- PIN 5: pink
- PIN 6: yellow
- PIN 7: black
- PIN 8: gray
- PIN 9: red
- PIN 10: purple
- PIN 11: gray/pink
- PIN 12: red/blue

**M12 male**



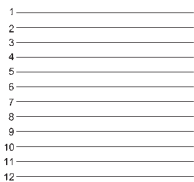
- PIN 1: brown
- PIN 2: blue
- PIN 3: white
- PIN 4: green
- PIN 5: pink
- PIN 6: yellow
- PIN 7: black
- PIN 8: gray
- PIN 9: red
- PIN 10: purple
- PIN 11: gray/pink
- PIN 12: red/blue

**M12 female/M12 male**



- PIN 1: brown
- PIN 2: blue
- PIN 3: white
- PIN 4: green
- PIN 5: pink
- PIN 6: yellow
- PIN 7: black
- PIN 8: gray
- PIN 9: red
- PIN 10: purple
- PIN 11: gray/pink
- PIN 12: red/blue

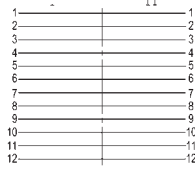
**unshielded, no LED**



**unshielded, no LED**



**unshielded, no LED**





BCC M42C ...	BCC M42C ...	BCC M41C-M41C ...
M12 female, A-coded	M12 male, A-coded	M12 female, A-coded/ M12 male, A-coded
angled	angled	straight/straight
30 V AC/DC	30 V AC/DC	30 V AC/DC
1.5 A	1.5 A	1.5 A
IP67, IP68, IP69K	IP67, IP68, IP69K	IP67, IP68, IP69K/IP67, IP68, IP69K
BCC M42C-0000-1A-049-PX0C25①-__ _②	BCC M42C-0000-2A-049-PX0C25①-__ _②	BCC M41C-M41C-3A-325-PX0C25①-__ _②
CE, UL, EAC	CE, UL, EAC	CE, UL, EAC
129	129	129

①	Material	Color	Number of conductors x conductor cross-section	Cable temperature fixed in place	Cable temperature flexed
<b>UNSHIELDED</b>					
PX0C25	PUR	Black	12 x 0.25 mm <sup>2</sup>	-50...+80 °C	-25...+80 °C

②	Cable length
<b>CONNECTION CABLE</b>	
020	2 m
050	5 m
100	10 m
<b>CABLE</b>	
003	0.3 m
006	0.6 m
010	1 m
020	2 m
050	5 m

Other cable lengths on request!

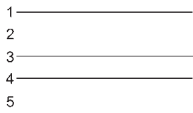
Connection	
Version	
Rated voltage	
Rated current	
Degree of protection	
unshielded, no LED, 3-conductor, N.O. signal	
unshielded, no LED, 4-conductor	
Approval/Conformity	
For drawing see page	

**M12 female, 3-conductor,  
N.O. signal**



PIN 1: brown  
PIN 3: blue  
PIN 4: black

**unshielded, no LED**

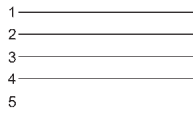


**M12 female, 4-conductor**



PIN 1: brown  
PIN 2: white  
PIN 3: blue  
PIN 4: black

**unshielded, no LED**





BCC M415 ...	BCC M425 ...
M12 female, A-coded	M12 female, A-coded
straight	angled
250 V AC/DC	250 V AC/DC
4 A	4 A
IP67, IP68, IP69K	IP67, IP68, IP69K
BCC M415-0000-1A-001-PH0334①-__ _②	BCC M425-0000-1A-001-PH0334①-__ _②
BCC M415-0000-1A-003-PH0434①-__ _②	BCC M425-0000-1A-003-PH0434①-__ _②
CE, UL, EAC	CE, UL, EAC
130	130

①	Material	Color	Number of conductors × conductor cross-section	Cable temperature fixed in place	Cable temperature flexed
<b>UNSHIELDED</b>					
PH0334	PUR	Black	3 × 0.34 mm <sup>2</sup>	-40...+120 °C	
PH0434	PUR	Black	4 × 0.34 mm <sup>2</sup>	-40...+120 °C	

②	Cable length
<b>CONNECTION CABLE</b>	
020	2 m
050	5 m
100	10 m

Other cable lengths on request!

**AVAILABLE AS BULK CABLE**

	Order code	Part number	Cable length
PH0434	BCC0H6E	BCC 0000-0000-00-000-PH0434-10X	100 m







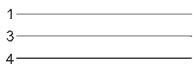
		BCC M313 ... BCC M314 ...
Connection		M8 female, A-coded
Version		straight
Rated voltage	No LED	60 V AC/DC
	with LED	–
Rated current		4 A
Degree of protection		IP67, IP69K
unshielded, no LED, 3-conductor		BCC M313-0000-10-001-PW3334①-__ _②
unshielded, no LED, 3-conductor, N.O. signal		–
unshielded, 2 × PNP-LED, 3-conductor, N.O. signal		–
unshielded, no LED, 4-conductor		BCC M314-0000-10-003-PW3434①-__ _②
unshielded, 3 × PNP-LED, 4-conductor		–
unshielded, 3 × PNP-LED, 5-conductor, with PE		–
Approval/Conformity		CE, EAC
For drawing see page		130

**M8 female, 3-conductor**



PIN 1: brown  
PIN 3: blue  
PIN 4: black

**unshielded, no LED**

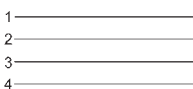


**M8 female, 4-conductor**



PIN 1: brown  
PIN 2: white  
PIN 3: blue  
PIN 4: black

**unshielded, no LED**

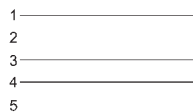


**M12 female, 3-conductor, N.O. signal**

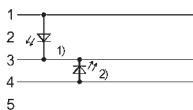


PIN 1: brown  
PIN 3: blue  
PIN 4: black

**unshielded, no LED**



**unshielded, 2 × PNP-LED**



\* 1) LED green = Power  
2) LED yellow = Function  
3) LED red = Function

**M12 female, 4-conductor**

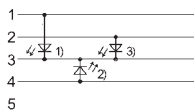


PIN 1: brown  
PIN 2: white  
PIN 3: blue  
PIN 4: black

**unshielded, no LED**



**unshielded, 3 × PNP-LED**

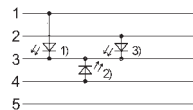


**M12 female, 5-conductor, with PE**



PIN 1: brown  
PIN 2: white  
PIN 3: blue  
PIN 4: black  
PIN 5: green/yellow

**unshielded, 3 × PNP-LED**





BCC M323 ... BCC M324 ...	BCC M415 ...	BCC M425 ...
M8 female, A-coded	M12 female, A-coded	M12 female, A-coded
angled	straight	angled
60 V AC/DC	250 V AC/DC	250 V AC/DC
–	–	30 V DC
4 A	4 A	4 A
IP67, IP69K	IP67, IP68, IP69K	IP67, IP68, IP69K
BCC M323-0000-10-001-PW3334①-__ _②	–	–
–	–	BCC M425-0000-1A-001-PW3334①-__ _②
–	–	BCC M425-0000-1A-004-PW3334①-__ _②
BCC M324-0000-10-003-PW3434①-__ _②	BCC M415-0000-1A-003-PW3434①-__ _②	BCC M425-0000-1A-003-PW3434①-__ _②
–	–	BCC M425-0000-1A-099-PW3434①-__ _②
–	–	BCC M425-0000-1A-100-PW3534①-__ _②
CE, EAC	CE, UL, EAC	CE, UL, EAC
130	130	130

①	Material	Color	Number of conductors × conductor cross-section	Cable temperature fixed in place	Cable temperature flexed
<b>UNSHIELDED</b>					
PW3334	PUR	Orange	3 × 0.34 mm <sup>2</sup>	–50...+90 °C	–25...+90 °C
PW3434	PUR	Orange	4 × 0.34 mm <sup>2</sup>	–50...+90 °C	–25...+90 °C
PW3534	PUR	Orange	5 × 0.34 mm <sup>2</sup>	–50...+90 °C	–25...+90 °C

②	Cable length
<b>CONNECTION CABLE</b>	
020	2 m
050	5 m
100	10 m

Other cable lengths on request!

**AVAILABLE AS BULK CABLE**

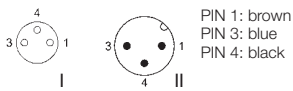
	Order code	Part number	Cable length
PW3334	BCC0C1A	BCC 0000-0000-00-000-PW3334-10X	100 m
PW3434	BCC0C19	BCC 0000-0000-00-000-PW3434-10X	100 m
PW3534	BCC0C1F	BCC 0000-0000-00-003-PW3534-10X	100 m



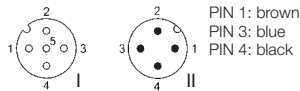


		BCC M323-M413 ...
Connection		M8 female, A-coded/ M12 male, A-coded
Version		angled/straight
Rated voltage	No LED	–
	with LED	30 V DC
Rated current		4 A
Degree of protection		IP67, IP69K/IP67, IP68, IP69K
unshielded, 2 × PNP-LED, 3-conductor		BCC M323-M413-3E-602-PW3334①-__ _②
unshielded, 2 × PNP-LED, 3-conductor, N.O. signal		–
unshielded, no LED, 4-conductor		–
unshielded, 3 × PNP-LED, 4-conductor		–
unshielded, no LED, 5-conductor, with PE		–
unshielded, 3 × PNP-LED, 5-conductor, with PE		–
Approval/Conformity		CE, EAC
For drawing see page		131

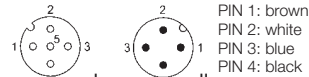
**M8 female/M12 male, 3-conductor**



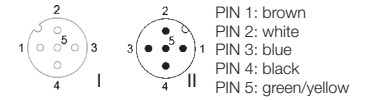
**M12 female/M12 male, 3-conductor, N.O. signal**



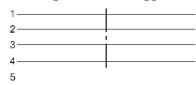
**M12 female/M12 male, 4-wire**



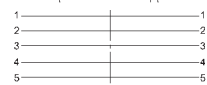
**M12 female/M12 male, 5-conductor, with PE**



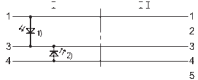
**unshielded, no LED**



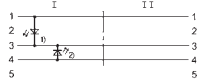
**unshielded, no LED**



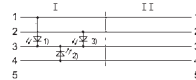
**unshielded, 2 × PNP-LED\***



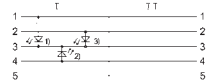
**unshielded, 2 × PNP-LED\***



**unshielded, 3 × PNP-LED\***



**unshielded, 3 × PNP-LED\***



\* 1) LED green = Power  
2) LED yellow = Function  
3) LED red = Function





BCC M415-M414... BCC M415-M415...	BCC M425-M413... BCC M425-M414... BCC M425-M415...
M12 female, A-coded/ M12 male, A-coded	M12 female, A-coded/ M12 male, A-coded
straight/straight	angled/straight
250 V AC/DC	250 V AC/DC
30 V DC	30 V DC
4 A	4 A
IP67, IP68, IP69K/IP67, IP68, IP69K	IP67, IP68, IP69K/IP67, IP68, IP69K
-	-
-	BCC M425-M413-3A-602-PW3334①-__ _②
BCC M415-M414-3A-304-PW3434①-__ _②	BCC M425-M414-3A-304-PW3434①-__ _②
-	BCC M425-M414-3A-691-PW3434①-__ _②
BCC M415-M415-3A-313-PW3534①-__ _②	BCC M425-M415-3A-313-PW3534①-__ _②
-	BCC M425-M415-3A-692-PW3534①-__ _②
CE, UL, EAC	CE, UL, EAC
131	131

①	Material	Color	Number of conductors x conductor cross-section	Cable temperature fixed in place	Cable temperature flexed
<b>UNSHIELDED</b>					
PW3334	PUR	Orange	3 x 0.34 mm <sup>2</sup>	-50...+90 °C	-25...+90 °C
PW3434	PUR	Orange	4 x 0.34 mm <sup>2</sup>	-50...+90 °C	-25...+90 °C
PW3534	PUR	Orange	5 x 0.34 mm <sup>2</sup>	-50...+90 °C	-25...+90 °C

②	Cable length
<b>CABLE</b>	
003	0.3 m
006	0.6 m
010	1 m
015	1.5 m
020	2 m
050	5 m

Other cable lengths on request!

**AVAILABLE AS BULK CABLE**

	Order code	Part number	Cable length
PW3334	BCC0C1A	BCC 0000-0000-00-000-PW3334-10X	100 m
PW3434	BCC0C19	BCC 0000-0000-00-000-PW3434-10X	100 m
PW3534	BCC0C1F	BCC 0000-0000-00-003-PW3534-10X	100 m



Sensors

RFID

Machine Vision and  
Optical Identification

Human Machine  
Interfaces

Systems

Safety

Industrial Networking

Power Supplies

Connectivity

Accessories



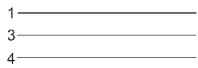
	BCC W313 ... BCC W314 ...	
Connection	M8 female, A-coded	
Version	straight	
Rated voltage	60 V AC/DC	
Rated current	4 A	
Degree of protection	IP65	
unshielded, no LED, 3-conductor	BCC W313-0000-10-001-BW8334①-__ _②	
unshielded, no LED, 4-conductor	BCC W314-0000-10-003-BW8434①-__ _②	
Approval/Conformity	CE, UL, EAC	
For drawing see page	131	

**M8 female, 3-conductor**



PIN 1: brown  
PIN 3: blue  
PIN 4: black

**unshielded, no LED**

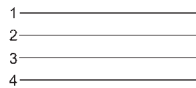


**M8 female, 4-conductor**



PIN 1: brown  
PIN 2: white  
PIN 3: blue  
PIN 4: black

**unshielded, no LED**

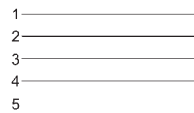


**M12 female, 4-conductor**



PIN 1: brown  
PIN 2: white  
PIN 3: blue  
PIN 4: black

**unshielded, no LED**





	BCC W323 ... BCC W324 ...	BCC W415 ...	BCC W425 ...
	M8 female, A-coded	M12 female, A-coded	M12 female, A-coded
	angled	straight	angled
	60 V AC/DC	250 V AC/DC	250 V AC/DC
	4 A	4 A	4 A
	IP65	IP65	IP65
	BCC W323-0000-10-001-BW8334①-__ _②	-	-
	BCC W324-0000-10-003-BW8434①-__ _②	BCC W415-0000-1A-003-BW8434①-__ _②	BCC W425-0000-1A-003-BW8434①-__ _②
	CE, UL, EAC	CE, UL, EAC	CE, UL, EAC
	131	131	131

①	Material	Color	Number of conductors × conductor cross-section	Cable temperature fixed in place	Cable temperature flexed
<b>UNSHIELDED</b>					
BW8334	TPE	Gray	3 × 0.34 mm <sup>2</sup>	-50...+130 °C	-40...+125 °C
BW8434	TPE	Gray	4 × 0.34 mm <sup>2</sup>	-50...+130 °C	-40...+125 °C

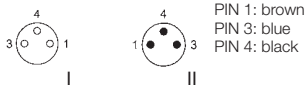
②	Cable length
<b>CONNECTION CABLE</b>	
020	2 m
050	5 m

Other cable lengths on request!



BCC W313-W313 ...	
Connection	M8 female, A-coded/ M8 male, A-coded
Version	straight/straight
Rated voltage	60 V AC/DC
Rated current	4 A
Degree of protection	IP65/IP65
unshielded, no LED, 3-conductor	BCC W313-W313-30-300-BW8334①-_-_②
unshielded, no LED, 4-conductor	-
Approval/Conformity	CE, UL, EAC
For drawing see page	131

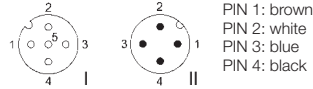
**M8 female/M8 male,  
3-wire**



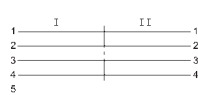
**unshielded, no LED**



**M12 female/M12 male,  
4-wire**



**unshielded, no LED**





BCC W415-W414 ...	BCC W425-W414 ...
M12 female, A-coded/ M12 male, A-coded	M12 female, A-coded/ M12 male, A-coded
straight/straight	angled/straight
250 V AC/DC	250 V AC/DC
4 A	4 A
IP65/IP65	IP65/IP65
-	-
BCC W415-W414-3A-304-BW8434①-__ _②	BCC W425-W414-3A-304-BW8434①-__ _②
CE, UL, EAC	CE, UL, EAC
132	132

①	Material	Color	Number of conductors x conductor cross-section	Cable temperature fixed in place	Cable temperature flexed
<b>UNSHIELDED</b>					
BW8334	TPE	Gray	3 x 0.34 mm <sup>2</sup>	-50...+130 °C	-40...+125 °C
BW8434	TPE	Gray	4 x 0.34 mm <sup>2</sup>	-50...+130 °C	-40...+125 °C

②	Cable length
<b>CABLE</b>	
003	0.3 m
006	0.6 m
010	1 m
015	1.5 m
020	2 m
050	5 m

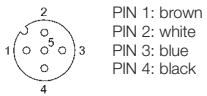
Other cable lengths on request!



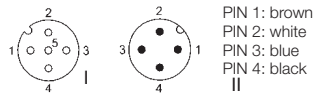


BCC W415 ...	
Connection	M12 female, A-coded
Version	straight
Rated voltage	250 V AC/DC
Rated current	4 A
Degree of protection	IP65
unshielded, no LED	BCC W415-0000-1A-003-SW0434①-__ _②
unshielded, 3 × PNP-LED	–
Approval/Conformity	CE, UL, EAC
For drawing see page	132

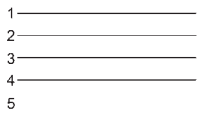
**M12 female**



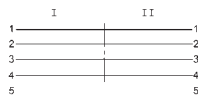
**M12 female/M12 male**



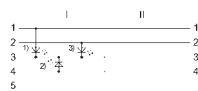
**unshielded, no LED**



**unshielded, no LED**



**unshielded, 3 × PNP-LED**



- \* 1) LED green = Power
- 2) LED yellow = Function
- 3) LED red = Function



BCC W425 ...	BCC W415 ... BCC W414 ...	BCC W425 ... BCC W414 ...
M12 female, A-coded	M12 female, A-coded/ M12 male, A-coded	M12 female, A-coded/ M12, A-coded, male
angled	straight/straight	angled/straight
250 V AC/DC	250 V AC/DC	250 V AC/DC
4 A	4 A	4 A
IP65	IP65/IP65	IP65/IP65
BCC W425-0000-1A-003-SW0434①-__-__②	BCC W415-W414-3A-304-SW0434①-__-__②	BCC W425-W414-3A-304-SW0434①-__-__②
-	BCC W415-W414-3A-650-SW0434①-__-__②	BCC W425-W414-3A-650-SW0434①-__-__②
CE, UL, EAC	CE, UL, EAC	CE, UL, EAC
132	132	132

①	Material	Color	Number of conductors x conductor cross-section	Cable temperature fixed in place	Cable temperature flexed
<b>UNSHIELDED</b>					
SW0434	Silicone	Black	4 x 0.34 mm <sup>2</sup>	-40...+200 °C	-25...+200 °C

②	Cable length
<b>CONNECTION CABLE</b>	
020	2 m
050	5 m
100	10 m
<b>CABLE</b>	
003	0.3 m
006	0.6 m
010	1 m
015	1.5 m
020	2 m
050	5 m

Other cable lengths on request!

**AVAILABLE AS BULK CABLE**

	Order code	Part number	Cable length
SW0434	BCC0HA8	BCC 0000-0000-00-003-SW0434-10X	100 m



Sensors  
RFID  
Machine Vision and Optical Identification  
Human Machine Interfaces  
Systems  
Safety  
Industrial Networking  
Power Supplies  
Connectivity  
Accessories



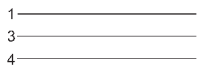
		BCC W313 ... BCC W314 ...
Connection		M8 female, A-coded
Version		straight
Rated voltage	No LED	60 V AC/DC
Rated current		4 A
Degree of protection	unshielded	IP65
unshielded, no LED, 3-conductor		BCC W313-0000-10-001-TW0334①-__ _②
unshielded, no LED, 4-conductor		BCC W314-0000-10-003-TW0434①-__ _②
Approval/Conformity		CE, UL, EAC
For drawing see page		132

**M8 female, 3-conductor**



PIN 1: brown  
PIN 3: blue  
PIN 4: black

**unshielded, no LED**

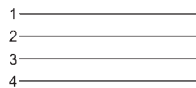


**M8 female, 4-conductor**



PIN 1: brown  
PIN 2: white  
PIN 3: blue  
PIN 4: black

**unshielded, no LED**

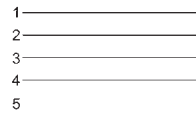


**M12 female, 4-conductor**



PIN 1: brown  
PIN 2: white  
PIN 3: blue  
PIN 4: black

**unshielded, no LED**





	BCC W323 ... BCC W324 ...	BCC W415 ...	BCC W425 ...
	M8 female, A-coded	M12 female, A-coded	M12 female, A-coded
	angled	straight	angled
	60 V AC/DC	250 V AC/DC	250 V AC/DC
	4 A	4 A	4 A
	IP65	IP65	IP65
	BCC W323-0000-10-001-TW0334①-__ _②	-	-
	BCC W324-0000-10-003-TW0434①-__ _②	BCC W415-0000-1A-003-TW0434①-__ _②	BCC W425-0000-1A-003-TW0434①-__ _②
	CE, UL, EAC	CE, UL, EAC	CE, UL, EAC
	133	133	133

①	Material	Color	Number of conductors × conductor cross-section	Cable temperature fixed in place	Cable temperature flexed
<b>UNSHIELDED</b>					
TW0334	FEP	Black	3 × 0.34 mm <sup>2</sup>	-100...+200 °C	-
TW0434	FEP	Black	4 × 0.34 mm <sup>2</sup>	-100...+200 °C	-

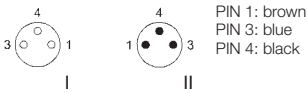
②	Cable length
<b>CONNECTION CABLE</b>	
020	2 m
050	5 m
100	10 m

Other cable lengths on request!

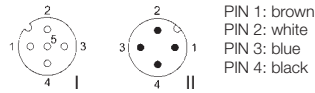


		BCC W313-W313 ...	
Connection		M8 female, A-coded/ M8 male, A-coded	
Version		straight/straight	
Rated voltage	No LED	60 V AC/DC	
	with LED	–	
Rated current		4 A	
Degree of protection	unshielded	IP65/IP65	
	unshielded, no LED, 3-conductor	BCC W313-W313-30-300-TW0334①-__ _②	
	unshielded, no LED, 4-conductor	–	
	unshielded, 3 × PNP-LED, 4-conductor	–	
Approval/Conformity		CE, UL, EAC	
For drawing see page		133	

**M8 female/M8 male,  
3-wire**



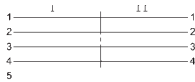
**M12 female/M12 male,  
4-wire**



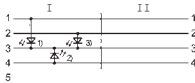
**unshielded, no LED**



**unshielded, no LED**



**unshielded, 3 × PNP-LED**



- \* 1) LED green = Power
- 2) LED yellow = Function
- 3) LED white = Function



BCC W415-W414 ...	BCC W425-W414 ...
M12 female, A-coded/ M12 male, A-coded	M12 female, A-coded/ M12 male, A-coded
straight/straight	angled/straight
250 V AC/DC	250 V AC/DC
30 V DC	30 V DC
4 A	4 A
IP65/IP65	IP65/IP65
-	-
BCC W415-W414-3A-304-TW0434①-__ _②	BCC W425-W414-3A-304-TW0434①-__ _②
BCC W415-W414-3A-650-TW0434①-__ _②	BCC W425-W414-3A-650-TW0434①-__ _②
CE, UL, EAC	CE, UL, EAC
133	133

①	Material	Color	Number of conductors × conductor cross-section	Cable temperature fixed in place	Cable temperature flexed
<b>UNSHIELDED</b>					
TW0334	FEP	Black	3 × 0.34 mm <sup>2</sup>	-100...+200 °C	-
TW0434	FEP	Black	4 × 0.34 mm <sup>2</sup>	-100...+200 °C	-

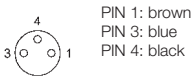
②	Cable length
<b>CABLE</b>	
003	0.3 m
006	0.6 m
010	1 m
015	1.5 m
020	2 m
050	5 m

Other cable lengths on request!



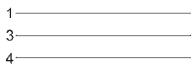
	BCC W313 ... BCC W314 ...	
Connection	M8 female, A-coded	
Version	straight	
Rated voltage	No LED	60 V AC/DC
Rated current		4 A
Degree of protection	unshielded	IP65
unshielded, no LED, 3-conductor		BCC W313-0000-10-001-MW8334①-__ _Ⓢ
unshielded, no LED, 4-conductor		BCC W314-0000-10-003-MW8434①-__ _Ⓢ
Approval/Conformity		CE, UL, EAC
For drawing see page		133, 134

**M8 female, 3-conductor**



PIN 1: brown  
PIN 3: blue  
PIN 4: black

**unshielded, no LED**

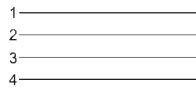


**M8 female, 4-conductor**



PIN 1: brown  
PIN 2: white  
PIN 3: blue  
PIN 4: black

**unshielded, no LED**

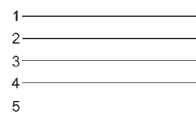


**M12 female, 4-conductor**



PIN 1: brown  
PIN 2: white  
PIN 3: blue  
PIN 4: black

**unshielded, no LED**





BCC W323 ... BCC W324 ...	BCC W415 ...	BCC W425 ...
M8 female, A-coded	M12 female, A-coded	M12 female, A-coded
angled	straight	angled
60 V AC/DC	250 V AC/DC	250 V AC/DC
4 A	4 A	4 A
IP65	IP65	IP65
BCC W323-0000-10-001-MW8334①-__ _②	–	–
BCC W324-0000-10-003-MW8434①-__ _②	BCC W415-0000-1A-003-MW8434①-__ _②	BCC W425-0000-1A-003-MW8434①-__ _②
CE, UL, EAC	CE, UL, EAC	CE, UL, EAC
134	134	134

①	Material	Color	Number of conductors × conductor cross-section	Cable temperature fixed in place	Cable temperature flexed
<b>UNSHIELDED</b>					
MW8334	V2A, metal braided	–	3 × 0.34 mm <sup>2</sup>	–50...+90 °C	–25...+90 °C
MW8434	V2A, metal braided	–	4 × 0.34 mm <sup>2</sup>	–50...+90 °C	–25...+90 °C

②	Cable length
<b>CONNECTION CABLE</b>	
006	0.6 m
010	1 m
020	2 m
050	5 m

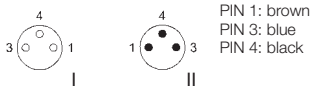
Other cable lengths on request!





		<b>BCC W313-W313 ...</b>	
Connection		M8 female, A-coded/ M8 male, A-coded	
Version		straight/straight	
Rated voltage	No LED	60 V AC/DC	
Rated current		4 A	
Degree of protection	unshielded	IP65/IP65	
unshielded, no LED, 3-conductor		BCC W313-W313-30-300-MW8334 <sup>①</sup> -_-_- <sup>②</sup>	
unshielded, no LED, 4-conductor		-	
Approval/Conformity		CE, UL, EAC	
For drawing see page		134	

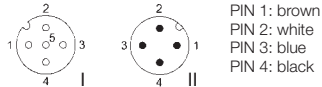
**M8 female/M8 male,  
3-wire**



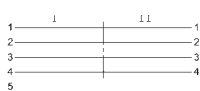
**unshielded, no LED**



**M12 female/M12 male,  
4-wire**



**unshielded, no LED**





BCC W323-W313 ...	BCC W415-W414 ...	BCC W425-W414 ...
M8 female, A-coded/ M8 male, A-coded	M12 female, A-coded/ M12 male, A-coded	M12 female, A-coded/ M12 male, A-coded
angled/straight	straight/straight	angled/straight
60 V AC/DC	250 V AC/DC	250 V AC/DC
4 A	4 A	4 A
IP65/IP65	IP65/IP65	IP65/IP65
BCC W323-W313-30-300-MW8334 <sup>①</sup> -__- <sup>②</sup>	-	-
-	BCC W415-W414-3A-304-MW8434 <sup>①</sup> -__- <sup>②</sup>	BCC W425-W414-3A-304-MW8434 <sup>①</sup> -__- <sup>②</sup>
CE, UL, EAC	CE, UL, EAC	CE, UL, EAC
134	134	135

①	Material	Color	Number of conductors x conductor cross-section	Cable temperature fixed in place	Cable temperature flexed
<b>UNSHIELDED</b>					
MW8334	V2A, metal braided	-	3 x 0.34 mm <sup>2</sup>	-50...+90 °C	-25...+90 °C
MW8434	V2A, metal braided	-	4 x 0.34 mm <sup>2</sup>	-50...+90 °C	-25...+90 °C

②	Cable length
<b>CABLE</b>	
003	0.3 m
006	0.6 m
010	1 m
015	1.5 m
020	2 m
050	5 m

Other cable lengths on request!

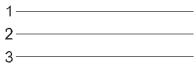


	BCC A313 ...	BCC A313 ...	
Connection	7/8" female	7/8" male	
Version	straight	straight	
Rated voltage	300 V AC/DC	300 V AC/DC	
Rated current	13 A	13 A	
Degree of protection	IP67, IP68	IP67, IP68	
unshielded, with PE	BCC A313-0000-10-097-PX03A5①-__ _②	-	
unshielded, no PE	BCC A313-0000-10-071-VX43W6①-__ _②	BCC A313-0000-20-071-VX43W6①-__ _②	
Approval/Conformity	CE, UL, EAC	CE, UL, EAC	
For drawing see page	135	135	

**7/8" female, with PE**



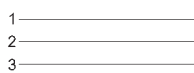
PIN 1: green/yellow  
PIN 2: brown  
PIN 3: blue



**7/8" female, no PE**



PIN 1: green  
PIN 2: black  
PIN 3: white



**7/8" male, no PE**



PIN 1: green  
PIN 2: black  
PIN 3: white



**7/8" female/7/8" male, with PE**



PIN 1: green/yellow  
PIN 2: brown  
PIN 3: blue





BCC A323 ...	BCC A323 ...	BCC A313-A313 ...
7/8" female	7/8" male	7/8" female/ 7/8" male
angled	angled	straight/straight
300 V AC/DC	300 V AC/DC	300 V AC/DC
13 A	13 A	13 A
IP67, IP68	IP67, IP68	IP67, IP68
BCC A323-0000-10-097-PX03A5①-___②	-	BCC A313-A313-30-365-PX03A5①-___②
BCC A323-0000-10-071-VX43W6①-___②	BCC A323-0000-20-071-VX43W6①-___②	-
CE, UL, EAC	CE, UL, EAC	CE, UL, EAC
135	135	135

①	Material	Color	Number of conductors x conductor cross-section	Cable temperature fixed in place	Cable temperature flexed
<b>UNSHIELDED</b>					
PX03A5	PUR	Black	3 x 1.5 mm <sup>2</sup>	-40...+80 °C	-20...+80 °C
VX43W6	PVC	Yellow	3 x AWG16	-40...+105 °C	-

②	Cable length
<b>CONNECTION CABLE</b>	
020	2 m
050	5 m
100	10 m
<b>CABLE</b>	
006	0.6 m
020	2 m
050	5 m
100	10 m

Other cable lengths on request!

**AVAILABLE AS BULK CABLE**

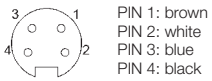
	Order code	Part number	Cable length
VX43W6	BCC0AEF	BCC 0000-0000-00-071-VX43W6-10X	100 m





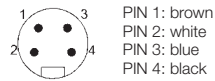
	BCC A314...	
Connection	7/8" female	
Version	straight	
Rated voltage	300 V AC/DC	
Rated current	10 A	
Degree of protection	IP67, IP68	
unshielded	BCC A314-0000-10-003-____①-____②	
Approval/Conformity	CE, UL, EAC	
For drawing see page	135	

**7/8" female**



- 1 \_\_\_\_\_
- 2 \_\_\_\_\_
- 3 \_\_\_\_\_
- 4 \_\_\_\_\_

**7/8" male**



- 1 \_\_\_\_\_
- 2 \_\_\_\_\_
- 3 \_\_\_\_\_
- 4 \_\_\_\_\_



Do you need more details? Our Product Finder at [www.balluff.com](http://www.balluff.com) provides you with product-specific information, including technical drawings, data sheets, user guides and more for each individual product. All items are available for download.



BCC A314 ...	BCC A324 ...	BCC A324 ...
7/8" male	7/8" female	7/8" male
straight	angled	angled
300 V AC/DC	300 V AC/DC	300 V AC/DC
10 A	10 A	10 A
IP67, IP68	IP67, IP68	IP67, IP68
BCC A314-0000-20-003-_____①-___②	BCC A324-0000-10-003-_____①-___②	BCC A324-0000-20-003-_____①-___②
CE, UL, EAC	CE, UL, EAC	CE, UL, EAC
135	136	136

①	Material	Color	Number of conductors × conductor cross-section	Cable temperature fixed in place	Cable temperature flexed
<b>UNSHIELDED</b>					
PX04A5	PUR	Black	4 × 1.5 mm <sup>2</sup>	-40...+80 °C	-20...+80 °C
VX44W6	PVC	Yellow	4 × AWG16	-40...+105 °C	-
EX44W6	TPE	Yellow	4 × AWG16	-50...+105 °C	-

②	Cable length
<b>CONNECTION CABLE</b>	
020	2 m
050	5 m
100	10 m

Other cable lengths on request!

**AVAILABLE AS BULK CABLE**

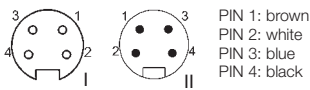
	Order code	Part number	Cable length
PX04A5	BCC0ACF	BCC 0000-0000-00-000-PX04A5-10X	100 m
VX44W6	BCC0AEJ	BCC 0000-0000-00-003-VX44W6-10X	100 m
EX44W6	BCC0APC	BCC 0000-0000-00-003-EX44W6-10X	100 m





		BCC A314-A314...
Connection		7/8" female/ 7/8" male
Version		straight/straight
Rated voltage		300 V AC/DC
Rated current		10 A
Degree of protection		IP67, IP68
unshielded		BCC A314-A314-30-304-_____①-___②
Approval/Conformity		CE, UL, EAC
For drawing see page		136

**7/8" female/7/8" male**





BCC A314-A324...	BCC A324-A314 ...	BCC A324-A324 ...
7/8" female/ 7/8" male	7/8" female/ 7/8" male	7/8" female/ 7/8" male
straight/angled	angled/straight	angled/angled
300 V AC/DC	300 V AC/DC	300 V AC/DC
10 A	10 A	10 A
IP67, IP68	IP67, IP68	IP67, IP68
BCC A314-A324-30-304-_____①-__②	BCC A324-A314-30-304-_____①-__②	BCC A324-A324-30-304-_____①-__②
CE, UL, EAC	CE, UL, EAC	CE, UL, EAC
136	136	136

①	Material	Color	Number of conductors x conductor cross-section	Cable temperature fixed in place	Cable temperature flexed
<b>UNSHIELDED</b>					
PX04A5	PUR	Black	4 × 1.5 mm <sup>2</sup>	-40...+80 °C	-20...+80 °C
VX44W6	PVC	Yellow	4 × AWG16	-40...+105 °C	-
EX44W6	TPE	Yellow	4 × AWG16	-50...+105 °C	-

②	Cable length
<b>CABLE</b>	
006	0.6 m
020	2 m
050	5 m
100	10 m

Other cable lengths on request!

**AVAILABLE AS BULK CABLE**

	Order code	Part number	Cable length
PX04A5	BCC0ACF	BCC 0000-0000-00-000-PX04A5-10X	100 m
VX44W6	BCC0AEJ	BCC 0000-0000-00-003-VX44W6-10X	100 m
EX44W6	BCC0APC	BCC 0000-0000-00-003-EX44W6-10X	100 m







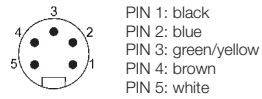
	BCC A315...	
Connection	7/8" female	
Version	straight	
Rated voltage	300 V AC/DC	
Rated current	9 A	
Degree of protection	IP67, IP68	
unshielded	BCC A315-0000-10-063-_____①-___②	
Approval/Conformity	CE, UL, EAC	
For drawing see page	136	

**7/8" female**



- 1 \_\_\_\_\_
- 2 \_\_\_\_\_
- 3 \_\_\_\_\_
- 4 \_\_\_\_\_
- 5 \_\_\_\_\_

**7/8" male**



- 1 \_\_\_\_\_
- 2 \_\_\_\_\_
- 3 \_\_\_\_\_
- 4 \_\_\_\_\_
- 5 \_\_\_\_\_



Do you need more details? Our Product Finder at [www.balluff.com](http://www.balluff.com) provides you with product-specific information, including technical drawings, data sheets, user guides and more for each individual product. All items are available for download.



BCC A315 ...	BCC A325 ...	BCC A325 ...
7/8" male	7/8" female	7/8" male
straight	angled	angled
300 V AC/DC	300 V AC/DC	300 V AC/DC
9 A	9 A	9 A
IP67, IP68	IP67, IP68	IP67, IP68
BCC A315-0000-20-063-_____①-___②	BCC A325-0000-10-063-_____①-___②	BCC A325-0000-20-063-_____①-___②
CE, UL, EAC	CE, UL, EAC	CE, UL, EAC
136	137	137

①	Material	Color	Number of conductors × conductor cross-section	Cable temperature fixed in place	Cable temperature flexed
<b>UNSHIELDED</b>					
PX05A5	PUR	Black	5 × 1.5 mm <sup>2</sup>	-40...+80 °C	-20...+80 °C
VX45W6	PVC	Yellow	5 × AWG16	-40...+105 °C	-

②	Cable length
<b>CONNECTION CABLE</b>	
020	2 m
050	5 m
100	10 m

Other cable lengths on request!

**AVAILABLE AS BULK CABLE**

	Order code	Part number	Cable length
PX05A5	BCC0ACH	BCC 0000-0000-00-000-PX05A5-10X	100 m
VX45W6	BCC0AEK	BCC 0000-0000-00-036-VX45W6-10X	100 m

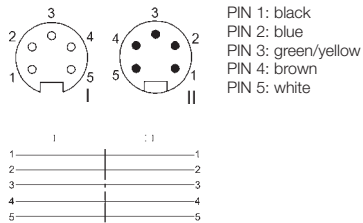


Sensors  
RFID  
Machine Vision and Optical Identification  
Human Machine Interfaces  
Systems  
Safety  
Industrial Networking  
Power Supplies  
Connectivity  
Accessories



		BCC A315-A315...
Connection		7/8" female/ 7/8" male
Version		straight/straight
Rated voltage		300 V AC/DC
Rated current		9 A
Degree of protection		IP67, IP68
unshielded with PE		BCC A315-A315-30-335-____-①-____-②
Approval/Conformity		CE, UL, EAC
For drawing see page		137

**7/8" female/7/8" male**





BCC A315-A325...	BCC A325-A315 ...	BCC A325-A325 ...
7/8" female/ 7/8" male	7/8" female/ 7/8" male	7/8" female/ 7/8" male
straight/angled	angled/straight	angled/angled
300 V AC/DC	300 V AC/DC	300 V AC/DC
9 A	9 A	9 A
IP67, IP68	IP67, IP68	IP67, IP68
BCC A315-A325-30-335-____①-__②	BCC A325-A315-30-335-____①-__②	BCC A325-A325-30-335-____①-__②
CE, UL, EAC	CE, UL, EAC	CE, UL, EAC
137	137	137

①	Material	Color	Number of conductors x conductor cross-section	Cable temperature fixed in place	Cable temperature flexed
<b>UNSHIELDED</b>					
PX05A5	PUR	Black	5 x 1.5 mm <sup>2</sup>	-40...+80 °C	-20...+80 °C
VX45W6	PVC	Yellow	5 x AWG16	-40...+105 °C	-

②	Cable length
<b>CABLE</b>	
006	0.6 m
020	2 m
050	5 m
100	10 m

Other cable lengths on request!

**AVAILABLE AS BULK CABLE**

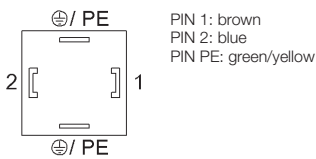
	Order code	Part number	Cable length
PX05A5	BCC0ACH	BCC 0000-0000-00-000-PX05A5-10X	100 m
VX45W6	BCC0AEK	BCC 0000-0000-00-036-VX45W6-10X	100 m



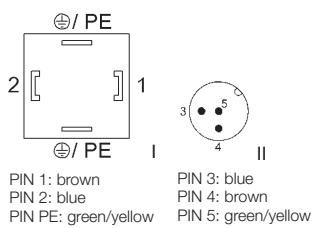


		BCC VA04 ...	
Connection		DIN A, 18 mm, 0°/180°, female	
Version		angled	
Rated voltage	No LED	250 V AC/DC	
	with LED	30 V AC/DC	
Rated current		6 A	
Degree of protection		IP67	
No protection circuit, no LED, 3-conductor		BCC VA04-0000-10-054-_____①-___②	
With suppressor diode, with PNP-LED, 3-conductor		BCC VA04-0000-10-053-_____①-___②	
No protection circuit, with PNP-LED, 5-conductor		-	
Approval/Conformity		CE, EAC	
For drawing see page		137	

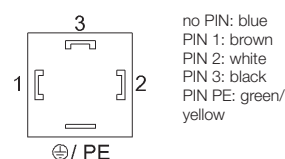
**DIN A, 18 mm, 3-conductor**



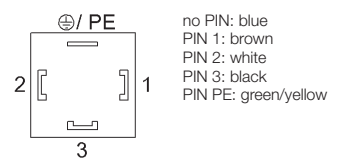
**DIN A, 18 mm/M12 male, 3-conductor**



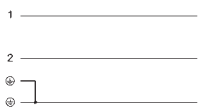
**DIN A, 18 mm for pressure switch, 0°, 5-conductor**



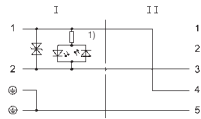
**DIN A, 18 mm for pressure switch, 180°, 5-conductor**



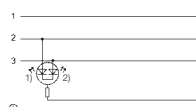
**No protection circuit, no LED**



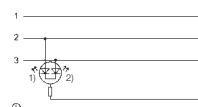
**With suppressor diode, with PNP-LED\***



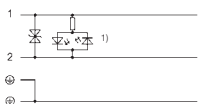
**No protection circuit, with PNP-LED\***



**No protection circuit, with PNP-LED\***



**With suppressor diode, with PNP-LED\***



\* 1) LED yellow  
2) LED green





BCC VA04-M413 ...	BCC PA04 ...	BCC PA24 ...
DIN A, 18 mm, 0°/180°, female/M12 male, A-coded	DIN A, 18 mm, for pressure switch, 0°, female	DIN A, 18 mm, for pressure switch, 180°, female
angled/straight	angled	angled
–	–	–
30 V AC/DC	30 V AC/DC	30 V AC/DC
6 A	6 A	6 A
IP67/IP67, IP69K	IP67	IP67
–	–	–
BCC VA04-M413-3E-664-__①-__②	–	–
–	BCC PA04-0000-10-070-PX0550①-__②	BCC PA24-0000-10-070-PX0550①-__②
CE, EAC	CE, EAC	CE, EAC
137	138	138

①	Material	Color	Number of conductors × conductor cross-section	Cable temperature fixed in place	Cable temperature flexed
<b>UNSHIELDED</b>					
PX0350	PUR	Black	3 × 0.5 mm <sup>2</sup>	–50...+80 °C	–25...+80 °C
VX8350	PVC	Gray	3 × 0.5 mm <sup>2</sup>	–40...+105 °C	+5...+105 °C
PX0550	PUR	Black	5 × 0.5 mm <sup>2</sup>	–50...+80 °C	–25...+80 °C

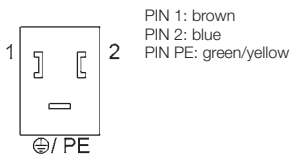
②	Cable length
<b>CONNECTION CABLE</b>	
020	2 m
050	5 m
100	10 m
<b>CABLE</b>	
003	0.3 m
006	0.6 m
010	1 m
015	1.5 m
020	2 m
050	5 m

Other cable lengths on request!

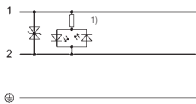


		BCC VB03 ...
Connection		DIN B, 10 mm, 0°, female
Version		angled
Rated voltage		30 V AC/DC
Rated current		4 A
Degree of protection		IP67
With suppressor diode, with PNP-LED		BCC VB03-0000-10-055-____①-____②
Approval/Conformity		CE, EAC
For drawing see page		138

**DIN B, 10 mm, 0°**

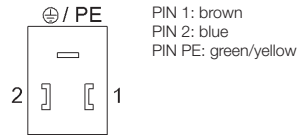


**With suppressor diode, with PNP-LED\***

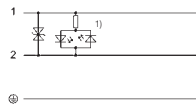


\* <sup>1)</sup> LED yellow

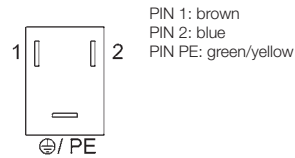
**DIN B, 10 mm, 180°**



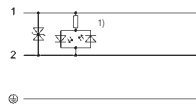
**With suppressor diode, with PNP-LED\***



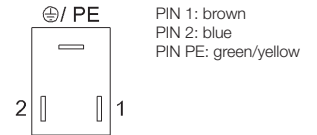
**Industry B, 11 mm, 0°**



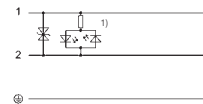
**With suppressor diode, with PNP-LED\***



**Industry B, 11 mm, 180°**



**With suppressor diode, with PNP-LED\***





BCC VB23 ...	BCC VB43 ...	BCC VB63 ...
DIN B, 10 mm, 180°, female	Industry B, 11 mm, 0°, female	Industry B, 11 mm, 180°, female
angled	angled	angled
30 V AC/DC	30 V AC/DC	30 V AC/DC
4 A	4 A	4 A
IP67	IP67	IP67
BCC VB23-0000-10-055-____①-____②	BCC VB43-0000-10-055-____①-____②	BCC VB63-0000-10-055-____①-____②
CE, EAC	CE, EAC	CE, EAC
138	138	138

①	Material	Color	Number of conductors x conductor cross-section	Cable temperature fixed in place	Cable temperature flexed
<b>UNSHIELDED</b>					
PX0350	PUR	Black	3 x 0.5 mm <sup>2</sup>	-50...+80 °C	-25...+80 °C
VX8350	PVC	Gray	3 x 0.5 mm <sup>2</sup>	-40...+105 °C	+5...+105 °C

②	Cable length
<b>CONNECTION CABLE</b>	
020	2 m
050	5 m
100	10 m

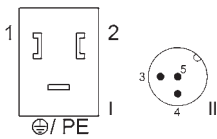
Other cable lengths on request!





		BCC VB03-M413 ...
Connection		DIN B, 10 mm, 0°, female/M12 male, A-coded
Version		angled/straight
Rated voltage		30 V AC/DC
Rated current		4 A
Degree of protection		IP67
With suppressor diode, with PNP-LED		BCC VB03-M413-3E-666-PX0350①-__ _②
Approval/Conformity		CE, EAC
For drawing see page		138

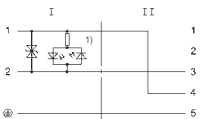
**DIN B, 10 mm, 0°/  
M12 male**



PIN 1: brown  
PIN 2: blue  
PIN PE: green/  
yellow

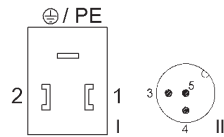
PIN 3: blue  
PIN 4: brown  
PIN 5: green/  
yellow

**With suppressor diode,  
with PNP-LED\***



\* 1) LED yellow

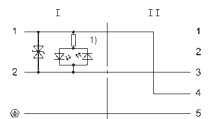
**DIN B, 10 mm, 180°/  
M12 male**



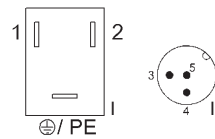
PIN 1: brown  
PIN 2: blue  
PIN PE: green/  
yellow

PIN 3: blue  
PIN 4: brown  
PIN 5: green/  
yellow

**With suppressor diode,  
with PNP-LED\***



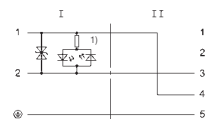
**Industry B, 11 mm, 0°/  
M12 male**



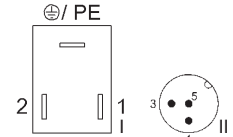
PIN 1: brown  
PIN 2: blue  
PIN PE: green/  
yellow

PIN 3: blue  
PIN 4: brown  
PIN 5: green/  
yellow

**With suppressor diode,  
with PNP-LED\***



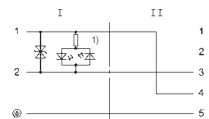
**Industry B, 11 mm, 180°/  
M12 male**



PIN 1: brown  
PIN 2: blue  
PIN PE: green/  
yellow

PIN 3: blue  
PIN 4: brown  
PIN 5: green/  
yellow

**With suppressor diode,  
with PNP-LED\***





BCC VB23-M413 ...	BCC VB43-M413 ...	BCC VB63-M413 ...
DIN B, 10 mm, 180°, female/M12 male, A-coded	Industry B, 11 mm, 0°, female/M12 male, A-coded	Industry B, 11 mm, 180°, female/M12 male, A-coded
angled/straight	angled/straight	angled/straight
30 V AC/DC	30 V AC/DC	30 V AC/DC
4 A	4 A	4 A
IP67	IP67	IP67
BCC VB23-M413-3E-666-PX0350①-__ _②	BCC VB43-M413-3E-666-PX0350①-__ _②	BCC VB63-M413-3E-666-PX0350①-__ _②
CE, EAC	CE, EAC	CE, EAC
138	139	139

①	Material	Color	Number of conductors x conductor cross-section	Cable temperature fixed in place	Cable temperature flexed
<b>UNSHIELDED</b>					
PX0350	PUR	Black	3 x 0.5 mm <sup>2</sup>	-50...+80 °C	-25...+80 °C

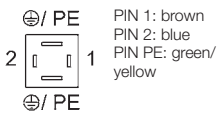
②	Cable length
<b>CABLE</b>	
003	0.3 m
006	0.6 m
010	1 m
015	1.5 m
020	2 m
050	5 m

Other cable lengths on request!

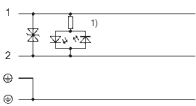


BCC VC04 ...	
Connection	DIN C, 8 mm, 0°/180°, female
Version	angled
Rated voltage	30 V AC/DC
Rated current	4 A
Degree of protection	IP67
With suppressor diode, with PNP-LED	BCC VC04-0000-10-053-____①-____②
Approval/Conformity	CE, EAC
For drawing see page	139

**DIN C, 8 mm**

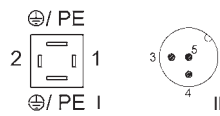


**With suppressor diode, with PNP-LED\***

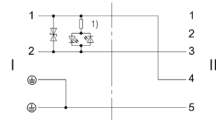


\* <sup>1)</sup> LED yellow

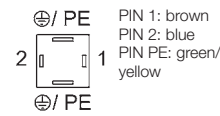
**DIN C, 8 mm/  
M12 male**



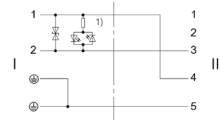
**With suppressor diode, with PNP-LED\***



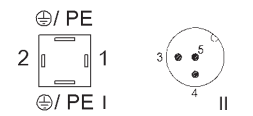
**Industry C, 9.4 mm**



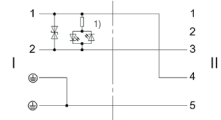
**With suppressor diode, with PNP-LED\***



**Industry C, 9.4 mm/  
M12 male**



**With suppressor diode, with PNP-LED\***





BCC VC04-M413 ...	BCC VC44 ...	BCC VC44-M413 ...
DIN C, 8 mm, 0°/180°, female/M12 male, A-coded	Industry C, 9.4 mm, 0°/180°, female	Industry C, 9.4 mm, 0°/180°, female/M12 male, A-coded
angled/straight	angled	angled/straight
30 V AC/DC	30 V AC/DC	30 V AC/DC
4 A	4 A	4 A
IP67	IP67	IP67
BCC VC04-M413-3E-664-PX0350①-__ _②	BCC VC44-0000-10-053-_____①-__ _②	BCC VC44-M413-3E-664-PX0350①-__ _②
CE, EAC	CE, EAC	CE, EAC
139	139	139

①	Material	Color	Number of conductors x conductor cross-section	Cable temperature fixed in place	Cable temperature flexed
<b>UNSHIELDED</b>					
PX0350	PUR	Black	3 x 0.5 mm <sup>2</sup>	-50...+80 °C	-25...+80 °C
VX8350	PVC	Gray	3 x 0.5 mm <sup>2</sup>	-40...+105 °C	+5...+105 °C

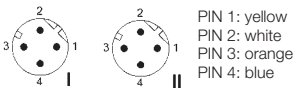
②	Cable length
<b>CONNECTION CABLE</b>	
020	2 m
050	5 m
100	10 m
<b>CABLE</b>	
003	0.3 m
006	0.6 m
010	1 m
015	1.5 m
020	2 m
050	5 m

Other cable lengths on request!



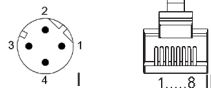
BCC M414-M414...	
Connection	M12 male, D-coded/ M12 male, D-coded
Version	straight/straight
Rated voltage	250 V AC/DC
Rated current	4 A
Degree of protection	IP67, IP68, IP69K/IP67, IP68, IP69K
shielded	BCC M414-M414-6D-331-PS54N2①-__ _②
Approval/Conformity	UL, EAC
For drawing see page	139

**M12 male/M12 male**



PIN 1: yellow  
PIN 2: white  
PIN 3: orange  
PIN 4: blue

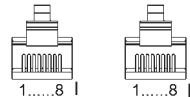
**M12 male/  
RJ45 male**



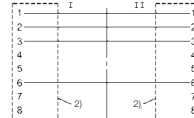
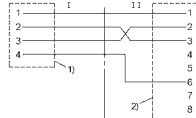
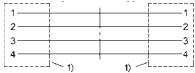
PIN 1: yellow  
PIN 2: white  
PIN 3: orange  
PIN 4: blue

PIN 1: yellow  
PIN 2: orange  
PIN 3: white  
PIN 6: blue

**RJ45 male/  
RJ45 male**



PIN 1: yellow  
PIN 2: orange  
PIN 3: white  
PIN 6: blue



<sup>1)</sup> Shield on cover nut  
<sup>2)</sup> Shield on housing



BCC M414-E834...	BCC E834-E834 ...
M12 male, D-coded/ RJ45, male	RJ45, male/ RJ45, male
straight	straight/straight
125 V AC/DC	125 V AC/DC
1 A	1 A
IP67, IP68, IP69K/IP20	IP20, IP20
BCC M414-E834-8G-668-PS54N2①-__ _ ②	BCC E834-E834-90-334-PS54N2①-__ _ ②
CE, EAC	CE, EAC
139	140

①	Material	Color	Number of conductors × conductor cross-section	Cable temperature fixed in place	Cable temperature flexed
<b>SHIELDED</b>					
PS54N2	PUR	Green	4 × AWG22	-40...+80 °C	-20...+60 °C

②	Cable length
<b>CABLE</b>	
006	0.6 m
020	2 m
050	5 m
100	10 m
150	15 m
200	20 m

Other cable lengths on request!

**AVAILABLE AS BULK CABLE**

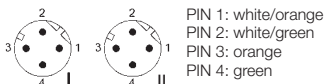
	Order code	Part number	Cable length
PS54N2	BCC0AC6	BCC 0000-0000-00-000-PS54N2-10X	100 m





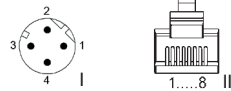
BCC M414-M414...	
Connection	M12 male, D-coded/ M12 male, D-coded
Version	straight/straight
Rated voltage	250 V AC/DC
Rated current	4 A
Degree of protection	IP67, IP68, IP69K/IP67, IP68, IP69K
shielded	BCC M414-M414-6D-338-ES64N9①-__ _ ②
Approval/Conformity	UL, EAC
For drawing see page	140

**M12 male/M12 male**



PIN 1: white/orange  
PIN 2: white/green  
PIN 3: orange  
PIN 4: green

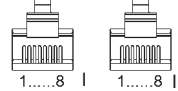
**M12 male/  
RJ45 male**



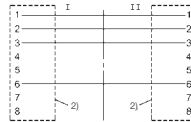
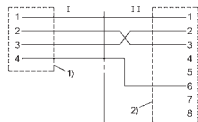
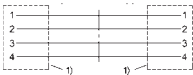
PIN 1: white/orange  
PIN 2: white/green  
PIN 3: orange  
PIN 4: green

PIN 1: white/orange  
PIN 2: orange  
PIN 3: white/green  
PIN 6: green

**RJ45 male/  
RJ45 male**



PIN 1: white/orange  
PIN 2: orange  
PIN 3: white/green  
PIN 6: green



<sup>1)</sup> Shield on cover nut  
<sup>2)</sup> Shield on housing



BCC M414-E834...	BCC E834-E834 ...
M12 male, D-coded/ RJ45, male	RJ45, male/ RJ45, male
straight/straight	straight/straight
30 V AC/42 V DC	30 V AC/42 V DC
1 A	1 A
IP67, IP68, IP69K/IP20	IP20/IP20
BCC M414-E894-8G-672-ES64N9①-__ _②	BCC E894-E894-90-339-ES64N9①-__ _②
CE, EAC	CE, EAC
140	140

①	Material	Color	Number of conductors × conductor cross-section	Cable temperature fixed in place	Cable temperature flexed
<b>SHIELDED</b>					
ES64N9	TPE	turquoise blue	2 × 2 AWG24	-40...+80 °C	-40...+80 °C

②	Cable length
<b>CABLE</b>	
006	0.6 m
010	1 m
020	2 m
050	5 m
100	10 m
150	15 m
200	20 m

Other cable lengths on request!

**AVAILABLE AS BULK CABLE**

	Order code	Part number	Cable length
ES64N9	BCC0AUJ	BCC 0000-0000-00-168-ES64N9-10X	100 m



Sensors

RFID

Machine Vision and  
Optical Identification

Human Machine  
Interfaces

Systems

Safety

Industrial Networking

Power Supplies

Connectivity

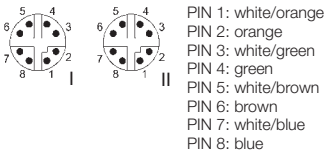
Accessories



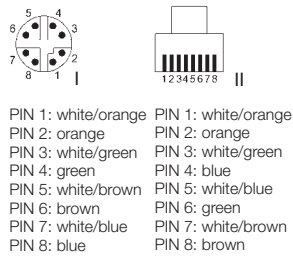


BCC M418-M418...	
Connection	M12 male, X-coded/ M12 male, X-coded
Version	straight/straight
Rated voltage	50 V AC/60 V DC
Rated current	0.5 A
Degree of protection	IP67/IP67
shielded	BCC M418-M418-6X-378-PS58N9①-__ _ ②
Approval/Conformity	CE, UL, EAC
For drawing see page	140

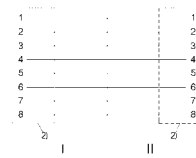
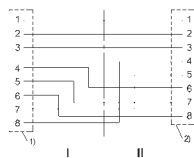
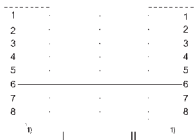
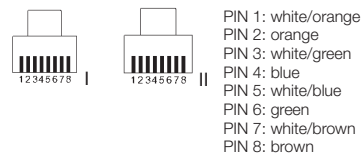
**M12 male/M12 male**



**M12 male/  
RJ45 male**



**RJ45 male/  
RJ45 male**



<sup>1)</sup> Shield on cover nut  
<sup>2)</sup> Shield on housing



BCC M418-E818...	BCC E818-E818 ...
M12 male, X-coded/ RJ45, male	RJ45, male/ RJ45, male
straight/straight	straight/straight
50 V AC/60 V DC	50 V AC/60 V DC
0.5 A	0.5 A
IP67/IP20	IP20/IP20
BCC M418-E818-8X0-723-PS58N9①-__ _②	BCC E818-E818-90-377-PS58N9①-__ _②
CE, UL, EAC	CE, UL, EAC
140	140

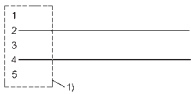
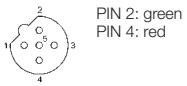
①	Material	Color	Number of conductors × conductor cross-section	Cable temperature fixed in place	Cable temperature flexed
<b>SHIELDED</b>					
PS58N9	PUR	Green	4 × 2 AWG26	-40...+85 °C	-10...+60 °C

②	Cable length
<b>CABLE</b>	
010	1 m
020	2 m
050	5 m
100	10 m

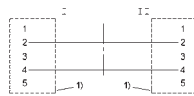
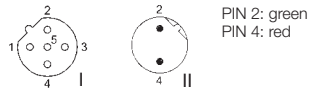
Other cable lengths on request!

Connection	
Version	
Rated voltage	
Rated current	
Degree of protection	
shielded	
Approval/Conformity	
For drawing see page	

**M12 female**



**M12 female/M12 male**



<sup>1)</sup> Shield on cover nut



BCC M415 ...	BCC M415-M412...
M12 female, B-coded	M12 female, B-coded/ M12 male, B-coded
straight	straight/straight
250 V AC/DC	250 V DC
4 A	4 A
IP67	IP67/IP67
BCC M415-0000-1B-031-PS72N1①-__ _②	BCC M415-M412-3B-329-PS72N1①-__ _②
UL, EAC	UL, EAC
140	141

①	Material	Color	Number of conductors x conductor cross-section	Cable temperature fixed in place	Cable temperature flexed
<b>SHIELDED</b>					
PS72N1	PUR	Violet	2 x AWG24	-40...+70 °C	-20...+60 °C

②	Cable length
<b>CONNECTION CABLE</b>	
003	0.3 m
006	0.6 m
010	1 m
020	2 m
050	5 m
100	10 m
150	15 m
<b>CABLE</b>	
020	2 m
050	5 m
100	10 m

Other cable lengths on request!

**AVAILABLE AS BULK CABLE**

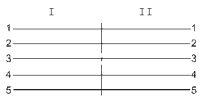
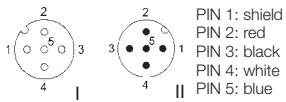
	Order code	Part number	Cable length
PS72N1	BCC0ACA	BCC 0000-0000-00-000-PS72N1-10X	100 m



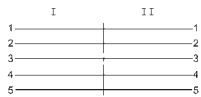
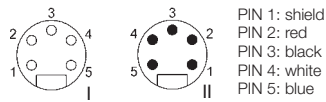
Sensors  
RFID  
Machine Vision and Optical Identification  
Human Machine Interfaces  
Systems  
Safety  
Industrial Networking  
Power Supplies  
Connectivity  
Accessories

Connection	
Version	
Rated voltage	
Rated current	
Degree of protection	
shielded, thick	
shielded, thin	
Approval/Conformity	
For drawing see page	

**M12 female/M12 male**



**7/8" female/7/8" male**





BCC M415-M415...	BCC A315-A315...
M12 female, A-coded/ M12 male, A-coded	7/8", female/ 7/8", male
straight/straight	straight/straight
60 V AC/DC	300 V DC
4 A	9 A
IP67, IP68, IP69K/IP67, IP68, IP69K	IP67, IP68/IP67, IP68
-	BCC A315-A315-30-330-____-①-____②
BCC M415-M415-3A-330-____-①-____②	BCC A315-A315-30-330-____-①-____②
CE, UL, EAC	UL, EAC
141	141

①	Material	Color	Number of conductors x conductor cross-section	Cable temperature fixed in place	Cable temperature flexed
<b>SHIELDED, THICK</b>					
PS85N4	PUR	Gray	2 x AWG15 2 x AWG18	-20...+80 °C	-
VS85N4	PVC	Gray	2 x AWG15 2 x AWG18	-40...+80 °C	-
<b>SHIELDED, THIN</b>					
PS85N6	PVC	Gray	2 x AWG22 2 x AWG22	-20...+80 °C	-
VS85N6	PVC	Gray	2 x AWG22 2 x AWG22	-20...+80 °C	-

②	Cable length
<b>CABLE</b>	
006	0.6 m
010	1 m
020	2 m
050	5 m
100	10 m

Other cable lengths on request!

**AVAILABLE AS BULK CABLE**

	Order code	Part number	Cable length
PS85N4	BCC0AEM	BCC 0000-0000-00-030-PS85N4-10X	100 m
VS85N4	BCC0AEL	BCC 0000-0000-00-030-VS85N4-10X	100 m
PS85N6	BCC0AER	BCC 0000-0000-00-030-PS85N6-10X	100 m
VS85N6	BCC0AEP	BCC 0000-0000-00-030-VS85N6-10X	100 m



Sensors

RFID

Machine Vision and  
Optical Identification

Human Machine  
Interfaces

Systems

Safety

Industrial Networking

Power Supplies

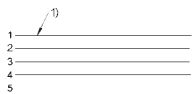
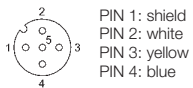
Connectivity

Accessories

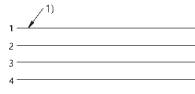


BCC M415 ...	
Connection	M12 female, A-coded
Version	straight
Rated voltage	250 V AC/DC
Rated current	4 A
Degree of protection	IP67, IP68, IP69K
shielded	BCC M415-0000-1A-068-VS24N7①-__ _②
Approval/Conformity	UL, EAC
For drawing see page	141

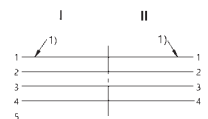
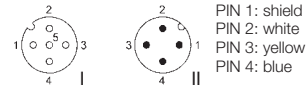
**M12 female**



**M12 male**



**M12 female/M12 male**



<sup>1)</sup> Shield on PIN 1



BCC M414 ...	BCC M415-M414 ...
M12 male, A-coded	M12 female, A-coded/ M12 male, A-coded
straight	straight/straight
250 V AC/DC	250 V AC/DC
4 A	4 A
IP67, IP68, IP69K	IP67, IP68, IP69K/IP67, IP68, IP69K
BCC M414-0000-2A-068-VS24N7①-__ _②	BCC M415-M414-3A-337-VS24N7①-__ _②
UL, EAC	UL, EAC
141	141

①	Material	Color	Number of conductors × conductor cross-section	Cable temperature fixed in place	Cable temperature flexed
<b>SHIELDED</b>					
VS24N7	PVC	Red	3 × AWG20	-40...+70 °C	-

②	Cable length
<b>CONNECTION CABLE</b>	
020	2 m
050	5 m
100	10 m
<b>CABLE</b>	
006	0.6 m
020	2 m
050	5 m
100	10 m

Other cable lengths on request!

**AVAILABLE AS BULK CABLE**

	Order code	Part number	Cable length
VS24N7	BCC0ACE	BCC 0000-0000-00-000-VS24N7-10X	100 m







BCC M61C ...	
Connection	M23 female, 12-pin
Version	straight
Rated voltage	250 V AC/DC
Rated current	8 A
Degree of protection	IP67
unshielded, no LED, 3-conductor	BCC M61C-0000-10-065-PX0BP4①-__ _ ②
Approval/Conformity	EAC
For drawing see page	141

**M23 female, 12-pin**

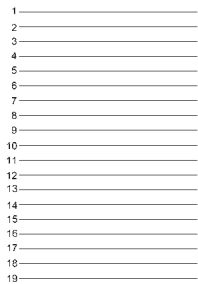
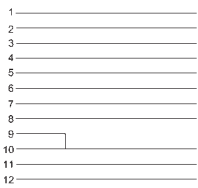


- PIN 1: white
- PIN 2: green
- PIN 3: yellow
- PIN 4: gray
- PIN 5: gray/pink
- PIN 6: red/blue
- PIN 7: white/green
- PIN 8: brown/green
- PIN 9: blue
- PIN 10: blue
- PIN 11: brown
- PIN 12: green/yellow

**M23 female, 19-pin**



- PIN 1: purple
- PIN 2: red
- PIN 3: gray
- PIN 4: red/blue
- PIN 5: green
- PIN 6: blue
- PIN 7: gray/pink
- PIN 8: white/green
- PIN 9: white/yellow
- PIN 10: white/gray
- PIN 11: black
- PIN 12: green/yellow
- PIN 13: yellow/brown
- PIN 14: brown/green
- PIN 15: white
- PIN 16: yellow
- PIN 17: pink
- PIN 18: gray/brown
- PIN 19: brown



Do you need more details? Our Product Finder at [www.balluff.com](http://www.balluff.com) provides you with product-specific information, including technical drawings, data sheets, user guides and more for each individual product. All items are available for download.



BCC M62C ...	BCC M61L ...	BCC M62L ...
M23 female, 12-pin	M23 female, 19-pin	M23 female, 19-pin
angled	straight	angled
250 V AC/DC	125 V AC/DC	125 V AC/DC
8 A	3 × 10 A/16 × 8 A	3 × 10 A/16 × 8 A
IP67	IP67	IP67
BCC M62C-0000-10-065-PX0BP4①-__ _ ②	BCC M61L-0000-10-022-PX0LP4①-__ _ ②	BCC M62L-0000-10-022-PX0LP4①-__ _ ②
EAC	CE, EAC	CE, EAC
141	142	142

①	Material	Color	Number of conductors × conductor cross-section	Cable temperature fixed in place	Cable temperature flexed
<b>UNSHIELDED</b>					
PX0BP4	PUR	Black	3 × 1.0 mm <sup>2</sup> 8 × 0.5 mm <sup>2</sup>	-50...+80 °C	-25...+80 °C
PX0LP4	PUR	Black	3 × 1.0 mm <sup>2</sup> 16 × 0.5 mm <sup>2</sup>	-50...+80 °C	-25...+80 °C

②	Cable length
<b>CONNECTION CABLE</b>	
020	2 m
050	5 m
100	10 m

Other cable lengths on request!



	<b>BCC0069</b> BKS-S 48-15-CP-02	<b>BCC006A</b> BKS-S 48-15-CP-05	
Connection	M8x1-Female, straight, 3-pole, A-coded	M8x1-Female, straight, 3-pole, A-coded	
Power indicator	—	—	
Function indicator (Pin 2)	—	—	
Function indicator (Pin 3)	—	—	
Function indicator (Pin 4)	—	—	
Suppressor	—	—	
Interface	—	—	
Cable	PUR Shielded black, 2.00 m	PUR Shielded black, 5.00 m	
Number of conductors	2	2	
Cable temperature, fixed routing	-40...70 °C	-40...70 °C	
Cable temperature, flexible routing	5...70 °C	5...70 °C	
Operating voltage U <sub>b</sub>	36 VDC / 30 VAC	36 VDC / 30 VAC	
Rated current (40 °C)	3.0 A	3.0 A	
Protection degree	IP67	IP67	
Approval/Conformity	CE, EAC	CE, EAC	
Productview	Page 144	Page 144	



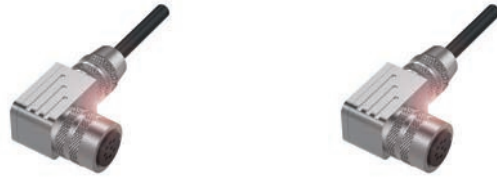
	<b>BCC006C</b> BKS-S 48-15-CP-10	<b>BCC0098</b> BKS-S137-19-PC-02	<b>BCC0099</b> BKS-S137-19-PC-05	<b>BCC009A</b> BKS-S137-19-PC-10
	M8x1-Female, straight, 3-pole, A-coded	M12x1-Female, straight, 5-pole, A-coded	M12x1-Female, straight, 5-pole, A-coded	M12x1-Female, straight, 5-pole, A-coded
	—	—	—	—
	—	—	—	—
	—	—	—	—
	—	—	—	—
	—	—	—	—
	PUR Shielded black, 10.00 m	PUR Shielded black, 2.00 m, Drag chain compatible	PUR Shielded black, 5.00 m, Drag chain compatible	PUR Shielded black, 10.00 m, Drag chain compatible
	2	5	5	5
	-40...70 °C	-50...80 °C	-50...80 °C	-50...80 °C
	5...70 °C	-25...80 °C	-25...80 °C	-25...80 °C
	36 VDC / 30 VAC	36 VDC / 30 VAC	36 VDC / 30 VAC	36 VDC / 30 VAC
	3.0 A	4.0 A	4.0 A	4.0 A
	IP67	IP68	IP68	IP68
	CE, EAC	CE, EAC	CE, EAC	CE, EAC
	Page 144	Page 144	Page 144	Page 144



	<b>BCC00ZN</b> BKS-S151-19-PC-02	<b>BCC00ZP</b> BKS-S151-19-PC-05	
Connection	M12x1-Male, straight, 5-pole, A-coded	M12x1-Male, straight, 5-pole, A-coded	
Power indicator	—	—	
Function indicator (Pin 2)	—	—	
Function indicator (Pin 3)	—	—	
Function indicator (Pin 4)	—	—	
Suppressor	—	—	
Interface	—	—	
Cable	PUR Shielded black, 2.00 m, Drag chain compatible	PUR Shielded black, 5.00 m, Drag chain compatible	
Number of conductors	5	5	
Cable temperature, fixed routing	-50...80 °C	-50...80 °C	
Cable temperature, flexible routing	-25...80 °C	-25...80 °C	
Operating voltage U <sub>b</sub>	30 VDC / 36 VAC	36 VDC / 30 VAC	
Rated current (40 °C)	4.0 A	4.0 A	
Protection degree	IP68	IP68	
Approval/Conformity	CE, EAC	CE, EAC	
Productview	Page 144	Page 144	



<b>BCC00ZR</b> BKS-S151-19-PC-10	<b>BCC00TU</b> BKS-S 32M-02	<b>BCC00TY</b> BKS-S 32M-05	<b>BCC00TZ</b> BKS-S 32M-10
M12x1-Male, straight, 5-pole, A-coded	M16x0.75-Female, straight, 8-pole	M16x0.75-Female, straight, 8-pole	M16x0.75-Female, straight, 8-pole
—	—	—	—
—	—	—	—
—	—	—	—
—	—	—	—
—	—	—	—
PUR Shielded black, 10.00 m, Drag chain compatible	PUR Shielded black, 2.00 m, Drag chain compatible	PUR Shielded black, 5.00 m, Drag chain compatible	PUR Shielded black, 10.00 m, Drag chain compatible
5	8	8	8
-50...80 °C	-50...80 °C	-50...80 °C	-50...80 °C
-25...80 °C	-25...80 °C	-25...80 °C	-25...80 °C
36 VDC / 30 VAC	60 VDC / 60 VAC	60 VDC / 60 VAC	60 VDC / 60 VAC
4.0 A	5.0 A	5.0 A	5.0 A
IP68	IP67	IP67	IP67
CE, EAC	CE, EAC	CE, EAC	CE, EAC
Page 144	Page 144	Page 144	Page 144



	<b>BCC00UR</b> BKS-S 33M-02	<b>BCC00UU</b> BKS-S 33M-05	
Connection	M16x0.75-Female, angled, 8-pole	M16x0.75-Female, angled, 8-pole	
Power indicator	—	—	
Function indicator (Pin 2)	—	—	
Function indicator (Pin 3)	—	—	
Function indicator (Pin 4)	—	—	
Suppressor	—	—	
Interface	—	—	
Cable	PUR Shielded black, 2.00 m, Drag chain compatible	PUR Shielded black, 5.00 m, Drag chain compatible	
Number of conductors	8	8	
Cable temperature, fixed routing	-50...80 °C	-50...80 °C	
Cable temperature, flexible routing	-25...80 °C	-25...80 °C	
Operating voltage U <sub>b</sub>	60 VDC / 60 VAC	60 VDC / 60 VAC	
Rated current (40 °C)	5.0 A	5.0 A	
Protection degree	IP67	IP67	
Approval/Conformity	CE, EAC	CE, EAC	
Productview	Page 144	Page 144	



	<b>BCC00UW</b> BKS-S 33M-10	<b>BCC00YE</b> BKS-S115-PU-02	<b>BCC00YF</b> BKS-S115-PU-05	<b>BCC00YH</b> BKS-S115-PU-10
	M16x0.75-Female, angled, 8-pole	M12x1-Female, straight, 8-pole, A-coded	M12x1-Female, straight, 8-pole, A-coded	M12x1-Female, straight, 8-pole, A-coded
	—	—	—	—
	—	—	—	—
	—	—	—	—
	—	—	—	—
	—	—	—	—
	PUR Shielded black, 10.00 m, Drag chain compatible	PUR Shielded black, 2.00 m, Drag chain compatible	PUR Shielded black, 5.00 m, Drag chain compatible	PUR Shielded black, 10.00 m, Drag chain compatible
	8	8	8	8
	-50...80 °C	-50...80 °C	-50...80 °C	-50...80 °C
	-25...80 °C	-25...80 °C	-25...80 °C	-25...80 °C
	60 VDC / 60 VAC	36 VDC / 30 VAC	36 VDC / 30 VAC	36 VDC / 30 VAC
	5.0 A	2.0 A	2.0 A	2.0 A
	IP67	IP68	IP68	IP68
	CE, EAC	CE, EAC	CE, EAC	CE, EAC
	Page 144	Page 144	Page 144	Page 144





	<b>BCC0102</b> BKS-S232-PU-02	<b>BCC0103</b> BKS-S232-PU-05	
Connection	M16x0.75-Female, straight, 8-pole	M16x0.75-Female, straight, 8-pole	
Power indicator	—	—	
Function indicator (Pin 2)	—	—	
Function indicator (Pin 3)	—	—	
Function indicator (Pin 4)	—	—	
Suppressor	—	—	
Interface	—	—	
Cable	PUR Shielded black, 2.00 m, Drag chain compatible	PUR Shielded black, 5.00 m, Drag chain compatible	
Number of conductors	8	8	
Cable temperature, fixed routing	-50...80 °C	-50...80 °C	
Cable temperature, flexible routing	-25...80 °C	-25...80 °C	
Operating voltage U <sub>b</sub>	60 VDC / 60 VAC	60 VDC / 60 VAC	
Rated current (40 °C)	5.0 A	5.0 A	
Protection degree	IP67	IP67	
Approval/Conformity	CE, EAC	CE, EAC	
Productview	Page 144	Page 144	



	<b>BCC0104</b> BKS-S232-PU-10	<b>BCC010E</b> BKS-S233-PU-02	<b>BCC010F</b> BKS-S233-PU-05	<b>BCC010H</b> BKS-S233-PU-10
	M16x0.75-Female, straight, 8-pole	M16x0.75-Female, angled, 8-pole	M16x0.75-Female, angled, 8-pole	M16x0.75-Female, angled, 8-pole
	—	—	—	—
	—	—	—	—
	—	—	—	—
	—	—	—	—
	—	—	—	—
	PUR Shielded black, 10.00 m, Drag chain compatible	PUR Shielded black, 2.00 m, Drag chain compatible	PUR Shielded black, 5.00 m, Drag chain compatible	PUR Shielded black, 10.00 m, Drag chain compatible
	8	8	8	8
	-50...80 °C	-50...80 °C	-50...80 °C	-50...80 °C
	-25...80 °C	-25...80 °C	-25...80 °C	-25...80 °C
	60 VDC / 60 VAC	60 VDC / 60 VAC	60 VDC / 60 VAC	60 VDC / 60 VAC
	5.0 A	5.0 A	5.0 A	5.0 A
	IP67	IP67	IP67	IP67
	CE, EAC	CE, EAC	CE, EAC	CE, EAC
	Page 144	Page 144	Page 144	Page 144



	<b>BCCOF4J</b> BCC HB75-0000-PA-121-VX85B5-020	<b>BCCOF4K</b> BCC HB75-0000-PA-121-VX85B5-050	
Connection	Push-Pull Power-Female, straight, 5-pole	Push-Pull Power-Female, straight, 5-pole	
Power indicator	—	—	
Function indicator (Pin 2)	—	—	
Function indicator (Pin 3)	—	—	
Function indicator (Pin 4)	—	—	
Suppressor	—	—	
Interface	—	—	
Cable	PVC gray, 2.00 m	PVC gray, 5.00 m	
Number of conductors	5	5	
Cable temperature, fixed routing	-40...70 °C	-40...70 °C	
Cable temperature, flexible routing	-5...70 °C	-5...70 °C	
Operating voltage U <sub>b</sub>	24 VDC	24 VDC	
Rated current (40 °C)	16.0 A	16.0 A	
Protection degree	IP67	IP67	
Approval/Conformity	CE, EAC	CE, EAC	
Productview	Page 145	Page 145	



	<b>BCCOF4L</b> BCC HB75-0000-PA-121-VX85B5-100	<b>BCCOKL6</b> BCC Z032-0000-10-148-VS0CT4-050	<b>BCCOKL7</b> BCC Z032-0000-10-148-VS0CT4-100	<b>BCCOKL8</b> BCC Z032-0000-10-148-VS0CT4-200
	Push-Pull Power-Female, straight, 5-pole	Special connector-Female, straight, 12-pole	Special connector-Female, straight, 12-pole	Special connector-Female, straight, 12-pole
	—	—	—	—
	—	—	—	—
	—	—	—	—
	—	—	—	—
	—	—	—	—
	PVC gray, 10.00 m	PVC Shielded black, 5.00 m	PVC Shielded black, 10.00 m	PVC Shielded black, 20.00 m
	5	12	12	12
	-40...70 °C	-30...80 °C	-30...80 °C	-30...80 °C
	-5...70 °C	-15...80 °C	-15...80 °C	-15...80 °C
	24 VDC	140 VDC / 100 VAC	140 VDC / 100 VAC	140 VDC / 100 VAC
	16.0 A	2.0 A	2.0 A	2.0 A
	IP67	IP50	IP50	IP50
	CE, EAC	EAC, CE	EAC, CE	EAC, CE
	Page 145	Page 145	Page 145	Page 145



	<b>BAM01HL</b> BIS U-500-EF-01	<b>BAM01HM</b> BIS U-500-EF-02	
Connection 1	R-TNC connector 7/16"-28 UN-EF-Female, straight, 1-pole	R-TNC connector 7/16"-28 UN-EF-Female, straight, 1-pole	
Connection 2	R-TNC connector 7/16"-28 UN-EF-Male, straight	R-TNC connector 7/16"-28 UN-EF-Male, straight	
Power indicator	—	—	
Function indicator (Pin 2)	—	—	
Function indicator (Pin 3)	—	—	
Function indicator (Pin 4)	—	—	
Suppressor	—	—	
Interface	—	—	
Cable	FRPE Shielded black, 1.00 m	FRPE Shielded black, 2.00 m	
Number of conductors	1	1	
Cable temperature, fixed routing	-40...85 °C	-40...85 °C	
Cable temperature, flexible routing	—	—	
Operating voltage $U_b$	—	—	
Rated current (40 °C)	—	—	
Protection degree	IP68	IP68	
Approval/Conformity	CE, CSA, cURus, EAC	CE, CSA, cURus, EAC	
Productview	Page 146	Page 146	



	<b>BAM01YR</b> BIS U-500-EF-03	<b>BAM01HN</b> BIS U-500-EF-05	<b>BAM01HP</b> BIS U-500-EF-10	<b>BAM01WN</b> BIS U-500-EF-15
	R-TNC connector 7/16"-28 UN-EF-Female, straight, 1-pole	R-TNC connector 7/16"-28 UN-EF-Female, straight, 1-pole	R-TNC connector 7/16"-28 UN-EF-Female, straight, 1-pole	R-TNC connector 7/16"-28 UN-EF-Female, straight, 1-pole
	R-TNC connector 7/16"-28 UN-EF-Male, straight	R-TNC connector 7/16"-28 UN-EF-Male, straight	R-TNC connector 7/16"-28 UN-EF-Male, straight	R-TNC connector 7/16"-28 UN-EF-Male, straight
	—	—	—	—
	—	—	—	—
	—	—	—	—
	—	—	—	—
	—	—	—	—
	FRPE Shielded black	FRPE Shielded black, 5.00 m	FRPE Shielded black, 10.00 m	FRPE Shielded black
	1	1	1	1
	-40...85 °C	-40...85 °C	-40...85 °C	-40...85 °C
	—	—	—	—
	—	—	—	—
	—	—	—	—
	IP68	IP68	IP68	IP68
	CE, CSA, cURus, EAC	CE, CSA, cURus, EAC	CE, CSA, cURus, EAC	CE, CSA, cURus, EAC
	Page 146	Page 146	Page 146	Page 146

Sensors

RFID

Machine Vision and Optical Identification

Human Machine Interfaces

Systems

Safety

Industrial Networking

Power Supply

Connectivity

Accessories





	<b>BAM01WP</b> BIS U-500-EF-20	<b>BCC0F4W</b> BCC HA78-HA78-9D-334-PS54N2-020	
Connection 1	R-TNC connector 7/16"-28 UN-EF-Female, straight, 1-pole	Push-Pull RJ45-Male, straight, 8-pole	
Connection 2	R-TNC connector 7/16"-28 UN-EF-Male, straight	Push-Pull RJ45-Male, straight, 8-pole	
Power indicator	—	—	
Function indicator (Pin 2)	—	—	
Function indicator (Pin 3)	—	—	
Function indicator (Pin 4)	—	—	
Suppressor	—	—	
Interface	—	Profinet	
Cable	FRPE Shielded black	PUR Shielded Green, 2.00 m, Drag chain compatible	
Number of conductors	1	4	
Cable temperature, fixed routing	-40...85 °C	-40...80 °C	
Cable temperature, flexible routing	—	-20...60 °C	
Operating voltage U <sub>b</sub>	—	50 VDC	
Rated current (40 °C)	—	1.0 A	
Protection degree	IP68	IP20/IP20	
Approval/Conformity	CE, CSA, cURus, EAC	CE, EAC	
Productview	Page 146	Page 146	



	<b>BCCOF4Y</b> BCC HA78-HA78-9D-334-PS54N2-050	<b>BCCOF4Z</b> BCC HA78-HA78-9D-334-PS54N2-100	<b>BCCOF52</b> BCC HA72-HA72-9A-371-PX52L2-020	<b>BCCOF53</b> BCC HA72-HA72-9A-371-PX52L2-050
	Push-Pull RJ45-Male, straight, 8-pole	Push-Pull RJ45-Male, straight, 8-pole	Push-Pull SCRJ-Male, straight, 2-pole	Push-Pull SCRJ-Male, straight, 2-pole
	Push-Pull RJ45-Male, straight, 8-pole	Push-Pull RJ45-Male, straight, 8-pole	Push-Pull SCRJ-Male, straight, 2-pole	Push-Pull SCRJ-Male, straight, 2-pole
	—	—	—	—
	—	—	—	—
	—	—	—	—
	—	—	—	—
	—	—	—	—
	Profinet	Profinet	Profinet	Profinet
	PUR Shielded Green, 5.00 m, Drag chain compatible	PUR Shielded Green, 10.00 m, Drag chain compatible	PUR Green, 2.00 m	PUR Green, 5.00 m
	4	4	2	2
	-40...80 °C	-40...80 °C	-20...70 °C	-20...70 °C
	-20...60 °C	-20...60 °C	—	—
	50 VDC	50 VDC	—	—
	1.0 A	1.0 A	—	—
	IP20/IP20	IP20/IP20	IP67/IP67	IP67/IP67
	CE, EAC	CE, EAC	EAC	EAC
	Page 146	Page 146	Page 146	Page 146

Sensors

RFID

Machine Vision and Optical Identification

Human Machine Interfaces

Systems

Safety

Industrial Networking

Power Supply

Connectivity

Accessories







	<b>BCC0F54</b> BCC HA72-HA72-9A-371-PX52L2-100	<b>BCC00N2</b> BIS C-505-PU-05	
Connection 1	Push-Pull SCRJ-Male, straight, 2-pole	M12x1-Female, straight, 5-pole, A-coded	
Connection 2	Push-Pull SCRJ-Male, straight, 2-pole	M12x1-Female, straight, 5-pole, A-coded	
Power indicator	—	—	
Function indicator (Pin 2)	—	—	
Function indicator (Pin 3)	—	—	
Function indicator (Pin 4)	—	—	
Suppressor	—	—	
Interface	Profinet	—	
Cable	PUR Green, 10.00 m	PUR Shielded black, 5.00 m	
Number of conductors	2	2	
Cable temperature, fixed routing	-20...70 °C	-40...70 °C	
Cable temperature, flexible routing	—	5...70 °C	
Operating voltage U <sub>b</sub>	—	250 VDC / 250 VAC	
Rated current (40 °C)	—	4.0 A	
Protection degree	IP67/IP67	IP65	
Approval/Conformity	EAC	EAC	
Productview	Page 146	Page 146	



	<b>BCC00N3</b> BIS C-505-PU-10	<b>BCC00N7</b> BIS C-506-PU-05	<b>BCC00N8</b> BIS C-506-PU-10	<b>BCC0FCK</b> BCC M414-M414-6A-710-PS0434-003
	M12x1-Female, straight, 5-pole, A-coded	M12x1-Female, angled, 5-pole, A-coded	M12x1-Female, angled, 5-pole, A-coded	M12x1-Male, straight, 4-pole, A-coded
	M12x1-Female, straight, 5-pole, A-coded	M12x1-Female, straight, 5-pole, A-coded	M12x1-Female, straight, 5-pole, A-coded	M12x1-Male, straight, 4-pole, A-coded
	—	—	—	—
	—	—	—	—
	—	—	—	—
	—	—	—	—
	—	—	—	—
	PUR Shielded black, 10.00 m	PUR Shielded black, 5.00 m	PUR Shielded black, 10.00 m	PUR Shielded black, 0.30 m, Drag chain compatible
	2	2	2	4
	-40...70 °C	-40...70 °C	-40...70 °C	-50...80 °C
	5...70 °C	5...70 °C	5...70 °C	-25...80 °C
	250 VDC / 250 VAC	250 VDC / 250 VAC	250 VDC / 250 VAC	250 VDC / 250 VAC
	4.0 A	4.0 A	4.0 A	4.0 A
	IP65	IP67	IP67	IP68/IP68
	EAC	EAC	EAC	EAC
	Page 146	Page 146	Page 146	Page 146

Sensors

RFID

Machine Vision and Optical Identification

Human Machine Interfaces

Systems

Safety

Industrial Networking

Power Supply

Connectivity

Accessories





	<b>BCC00R8</b> BIS Z-501-PU1-02/M	<b>BCC00R9</b> BIS Z-501-PU1-05/E	
Connection 1	M12x1-Female, straight, 8-pole, A-coded	M12x1-Female, straight, 8-pole, A-coded	
Connection 2	M12x1-Male, straight, 8-pole, A-coded	M12x1-Male, straight, 8-pole, A-coded	
Power indicator	—	—	
Function indicator (Pin 2)	—	—	
Function indicator (Pin 3)	—	—	
Function indicator (Pin 4)	—	—	
Suppressor	—	—	
Interface	—	—	
Cable	PUR Shielded black, 2.00 m, Drag chain compatible	PUR Shielded black, 5.00 m, Drag chain compatible	
Number of conductors	8	8	
Cable temperature, fixed routing	-50...80 °C	-50...80 °C	
Cable temperature, flexible routing	-25...80 °C	-25...80 °C	
Operating voltage U <sub>b</sub>	30 VDC / 30 VAC	30 VDC / 30 VAC	
Rated current (40 °C)	2.0 A	2.0 A	
Protection degree	IP67/IP67	IP67/IP67	
Approval/Conformity	CE, EAC	CE, EAC	
Productview	Page 146	Page 146	



	<b>BCC00RA</b> BIS Z-501-PU1-05/M	<b>BCC00RC</b> BIS Z-501-PU1-10/E	<b>BCC088T</b> BCC M62C-M41C-3E-675-PX0C25-010	<b>BCC088U</b> BCC M62C-M41C-3E-675-PX0C25-020
	M12x1-Female, straight, 8-pole, A-coded	M12x1-Female, straight, 8-pole, A-coded	M23x1-Female, angled, 12-pole	M23x1-Female, angled, 12-pole
	M12x1-Male, straight, 8-pole, A-coded	M12x1-Male, straight, 8-pole, A-coded	M12x1-Male, straight, 12-pole, A-coded	M12x1-Male, straight, 12-pole, A-coded
	—	—	—	—
	—	—	—	—
	—	—	—	—
	—	—	—	—
	—	—	—	—
	PUR Shielded black, 5.00 m, Drag chain compatible	PUR Shielded black, 10.00 m, Drag chain compatible	PUR black, 1.00 m, Drag chain compatible	PUR black, 2.00 m, Drag chain compatible
	8	8	12	12
	-50...80 °C	-50...80 °C	-50...80 °C	-50...80 °C
	-25...80 °C	-25...80 °C	-25...80 °C	-25...80 °C
	30 VDC / 30 VAC	30 VDC / 30 VAC	30 VDC / 30 VAC	30 VDC / 30 VAC
	2.0 A	2.0 A	1.5 A	1.5 A
	IP67/IP67	IP67/IP67	IP67/IP68	IP67/IP68
	CE, EAC	CE, EAC	CE, EAC	CE, EAC
	Page 146	Page 146	Page 147	Page 147

Sensors

RFID

Machine Vision and Optical Identification

Human Machine Interfaces

Systems

Safety

Industrial Networking

Power Supply

Connectivity

Accessories





	<b>BCC088K</b> BCC M418-M41C-3A-674-PX0825-010	<b>BCC088L</b> BCC M418-M41C-3A-674-PX0825-020	
Connection 1	M12x1-Female, straight, 8-pole, A-coded	M12x1-Female, straight, 8-pole, A-coded	
Connection 2	M12x1-Male, straight, 12-pole, A-coded	M12x1-Male, straight, 12-pole, A-coded	
Power indicator	—	—	
Function indicator (Pin 2)	—	—	
Function indicator (Pin 3)	—	—	
Function indicator (Pin 4)	—	—	
Suppressor	—	—	
Interface	—	—	
Cable	PUR black, 1.00 m, Drag chain compatible	PUR black, 2.00 m, Drag chain compatible	
Number of conductors	8	8	
Cable temperature, fixed routing	-50...80 °C	-50...80 °C	
Cable temperature, flexible routing	-25...80 °C	-25...80 °C	
Operating voltage U <sub>b</sub>	30 VDC / 30 VAC	30 VDC / 30 VAC	
Rated current (40 °C)	1.5 A	1.5 A	
Protection degree	IP67, IP68, IP69K/IP67, IP68, IP69K	IP67, IP68, IP69K/IP67, IP68, IP69K	
Approval/Conformity	CE, cULus, EAC	CE, cULus, EAC	
Productview	Page 147	Page 147	



	<b>BCCOF4N</b> BCC HB75-HB75-NA-370-VX85B5-020	<b>BCCOF4P</b> BCC HB75-HB75-NA-370-VX85B5-050	<b>BCCOF4R</b> BCC HB75-HB75-NA-370-VX85B5-100	<b>BCCOCR2</b> BCC M415-U024-8F-696-VX04T8-018
	Push-Pull Power-Female, straight, 5-pole	Push-Pull Power-Female, straight, 5-pole	Push-Pull Power-Female, straight, 5-pole	M12x1-Male, straight, 5-pole, A-coded
	Push-Pull Power-Female, straight, 5-pole	Push-Pull Power-Female, straight, 5-pole	Push-Pull Power-Female, straight, 5-pole	USB-A-Male, straight, 4-pole
	—	—	—	—
	—	—	—	—
	—	—	—	—
	—	—	—	—
	—	—	—	—
	PVC gray, 2.00 m	PVC gray, 5.00 m	PVC gray, 10.00 m	PVC black, 1.80 m
	5	5	5	4
	-40...70 °C	-40...70 °C	-40...70 °C	-40...105 °C
	-5...70 °C	-5...70 °C	-5...70 °C	-5...105 °C
	24 VDC	24 VDC	24 VDC	5 VDC
	16.0 A	16.0 A	16.0 A	0.1 A
	IP67/IP67	IP67/IP67	IP67/IP67	IP68/IP20
	CE, EAC	CE, EAC	CE, EAC	CE, EAC
	Page 147	Page 147	Page 147	Page 147

Sensors

RFID

Machine Vision and  
Optical Identification

Human Machine  
Interfaces

Systems

Safety

Industrial Networking

Power Supply

Connectivity

Accessories





	<b>BCC0KL9</b> BCC U0AA-U019-90-736-Z19004-010	<b>BCC0KLA</b> BCC U0AA-U019-90-736-Z19004-030	
Connection 1	USB 3.0 Micro-B-Male, straight, 10-pole	USB 3.0 Micro-B-Male, straight, 10-pole	
Connection 2	USB 3.0 Standard-A-Male, straight, 9-pole	USB 3.0 Standard-A-Male, straight, 9-pole	
Power indicator	—	—	
Function indicator (Pin 2)	—	—	
Function indicator (Pin 3)	—	—	
Function indicator (Pin 4)	—	—	
Suppressor	—	—	
Interface	—	—	
Cable	PVC Shielded black, 1.00 m	PVC Shielded black, 3.00 m	
Number of conductors	8	8	
Cable temperature, fixed routing	-10...80 °C	-10...80 °C	
Cable temperature, flexible routing	—	—	
Operating voltage $U_b$	5 VDC	5 VDC	
Rated current (40 °C)	0.1 A	0.1 A	
Protection degree	IP20/IP20	IP20/IP20	
Approval/Conformity	EAC	EAC	
Productview	Page 147	Page 147	



<b>BCC0KLC</b> BCC U0AA-U019-90-736-Z19004-050			
USB 3.0 Micro-B-Male, straight, 10-pole			
USB 3.0 Standard-A-Male, straight, 9-pole			
—			
—			
—			
—			
—			
—			
PVC Shielded black, 5.00 m			
8			
-10...80 °C			
—			
5 VDC			
0.1 A			
IP20/IP20			
EAC			
Page 147			

Sensors

RFID

Machine Vision and Optical Identification

Human Machine Interfaces

Systems

Safety

Industrial Networking

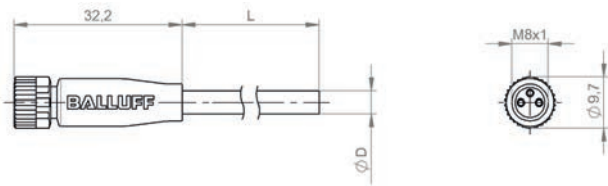
Power Supply

Connectivity

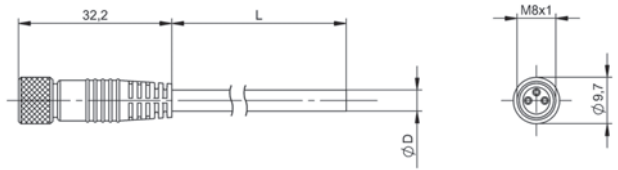
Accessories



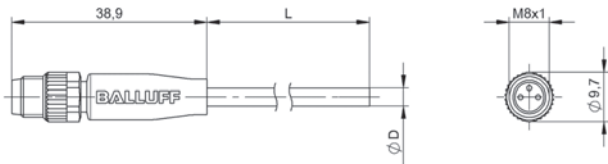




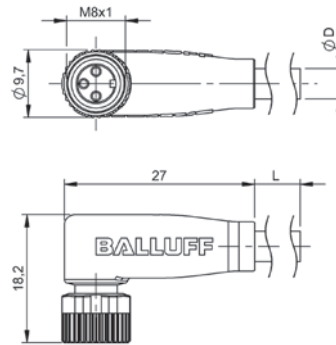
BCC M313-0000-10-001-...  
BCC M313-0000-10-004-...



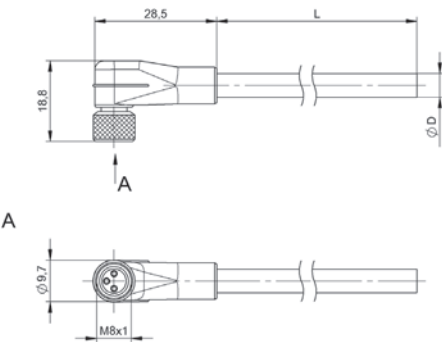
BCC M313-0000-10-036-...



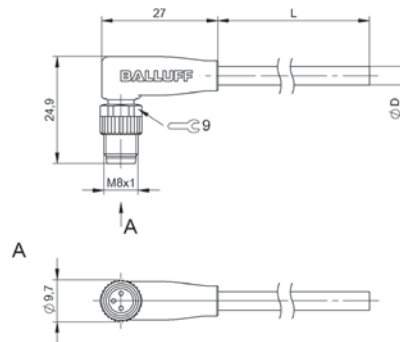
BCC M313-0000-20-001-...



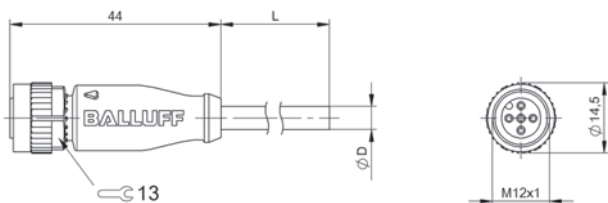
BCC M323-0000-10-001-...  
BCC M323-0000-10-004-...  
BCC M323-0000-10-006-...



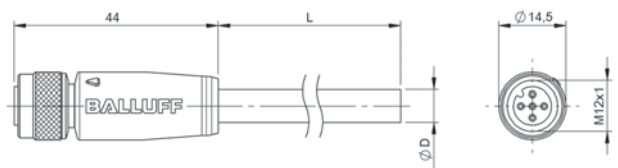
BCC M323-0000-10-036-...



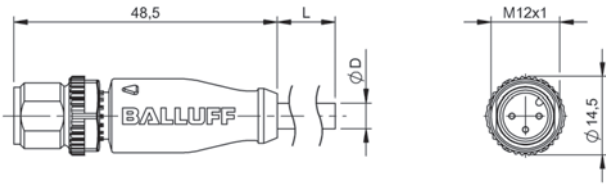
BCC M323-0000-20-001-...



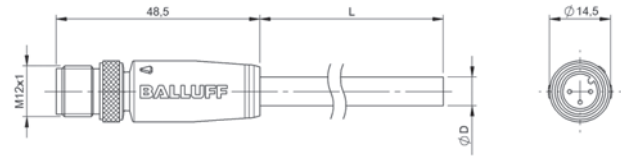
BCC M415-0000-1A-001-...  
BCC M415-0000-1A-004-...  
BCC M415-0000-1A-002-...  
BCC M415-0000-1A-005-...



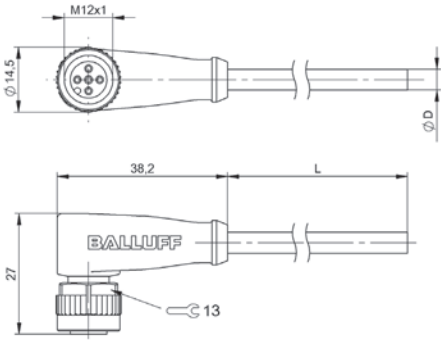
BCC M415-0000-1A-036-...  
BCC M415-0000-1A-037-...



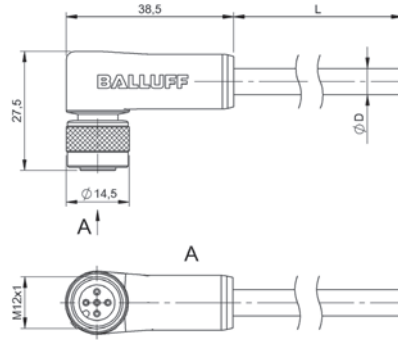
BCC M413-0000-2A-001-...  
BCC M413-0000-2A-002-...



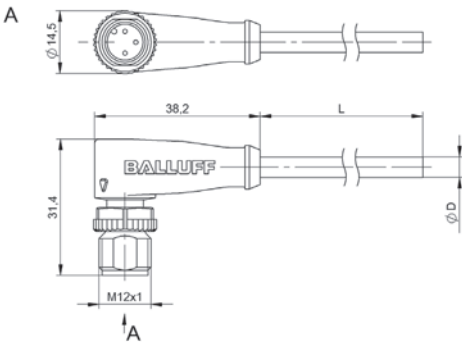
BCC M413-0000-2A-036-...  
BCC M413-0000-2A-037-...



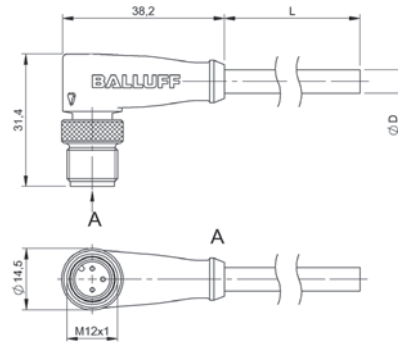
BCC M425-0000-1A-001-...  
BCC M425-0000-1A-004-...  
BCC M425-0000-1A-006-...  
BCC M425-0000-1A-002-...  
BCC M425-0000-1A-005-...



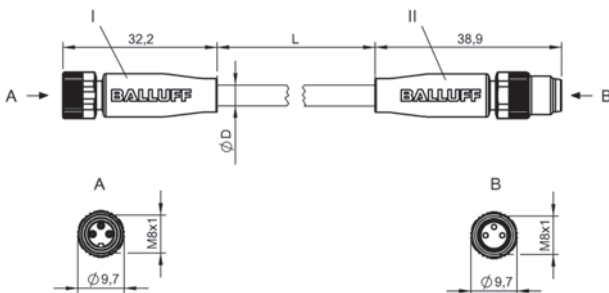
BCC M425-0000-1A-036-...  
BCC M425-0000-1A-037-...



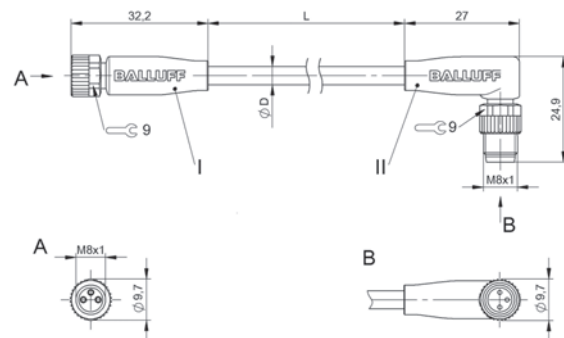
BCC M423-0000-2A-001-...



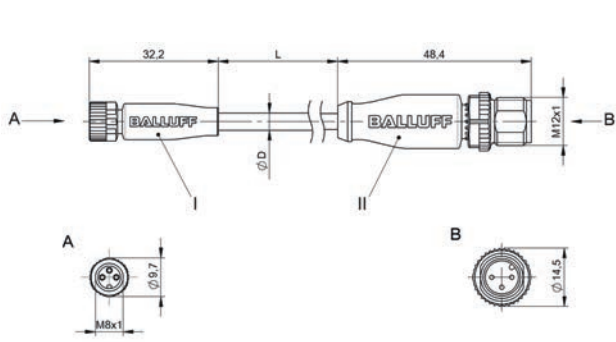
BCC M423-0000-2A-036-...



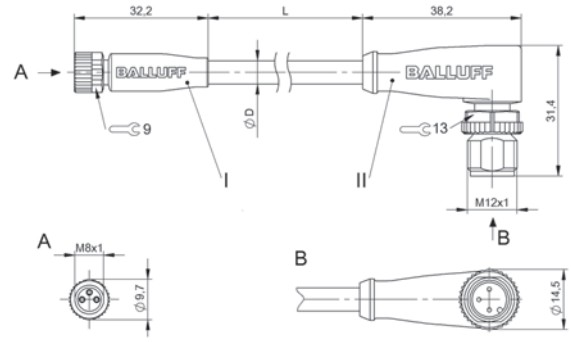
BCC M313-M313-30-300-...



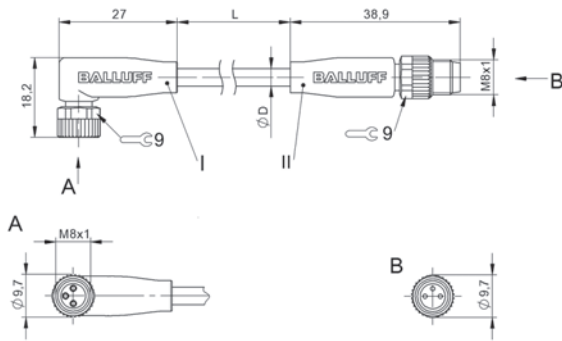
BCC M313-M323-30-300-...



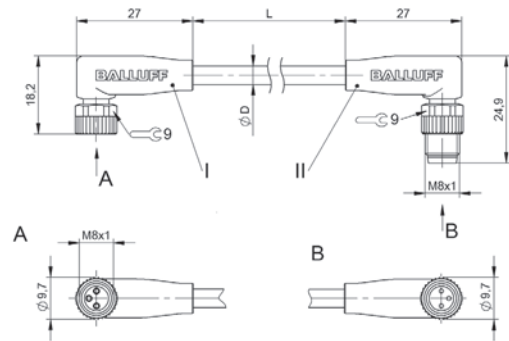
BCC M313-M413-3E-300...



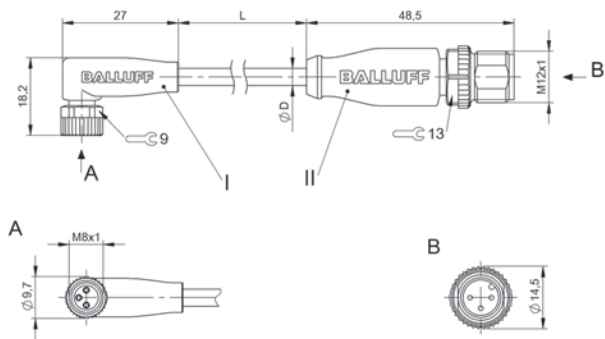
BCC M313-M423-3E-300...



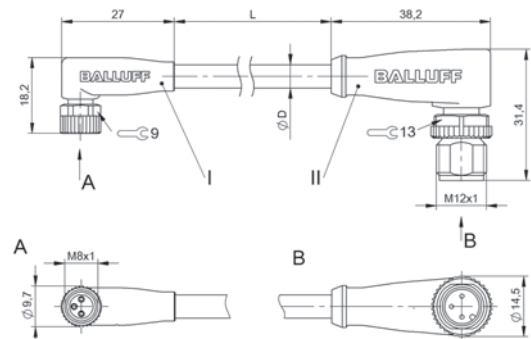
BCC M323-M313-30-300...  
BCC M323-M313-30-602...



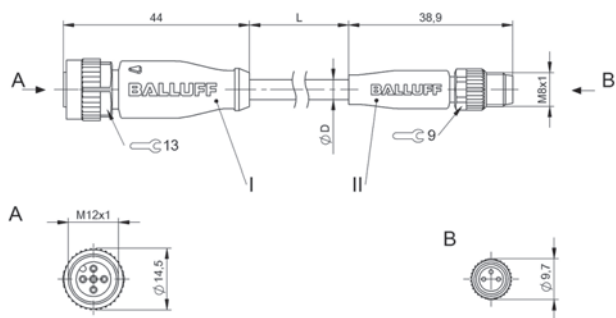
BCC M323-M323-30-300...



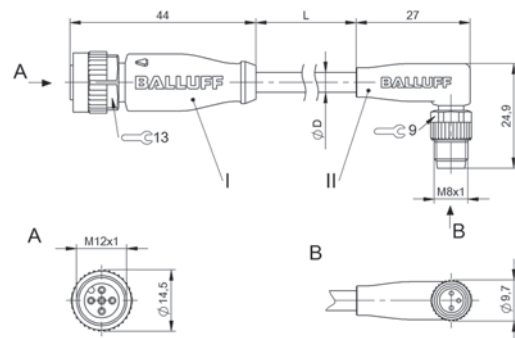
BCC M323-M413-3E-300...  
BCC M323-M413-3E-602...



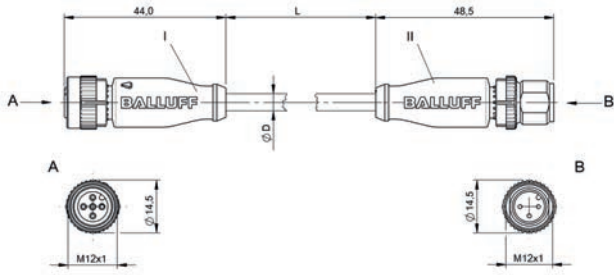
BCC M323-M423-3E-300...



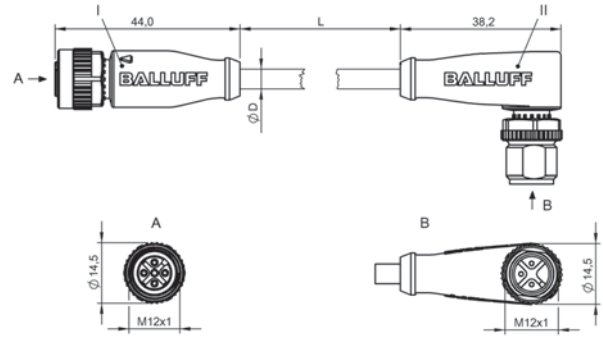
BCC M415-M313-3F-300...



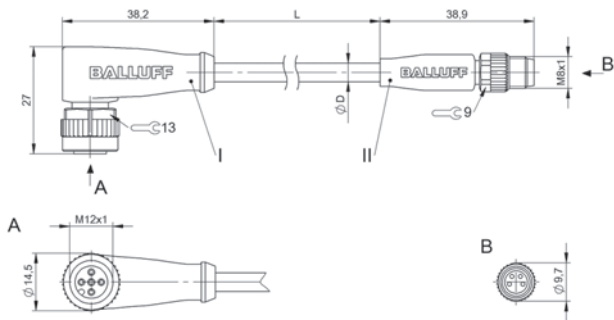
BCC M415-M323-3F-300...



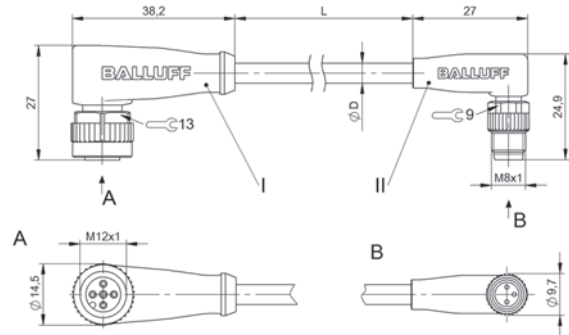
BCC M415-M413-3A-300...



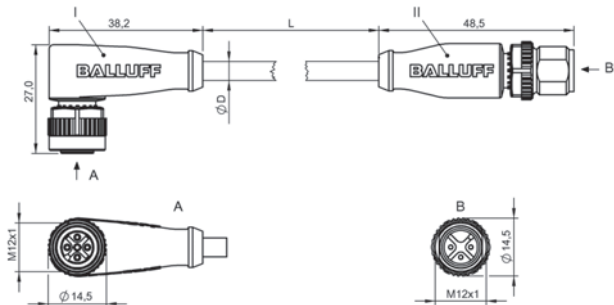
BCC M415-M423-3A-300...



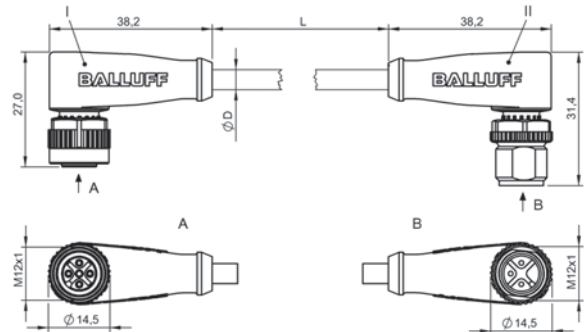
BCC M425-M313-3F-300...  
BCC M425-M313-3F-602...



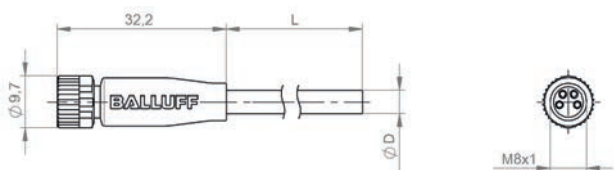
BCC M425-M323-3F-300...  
BCC M425-M323-3F-602...



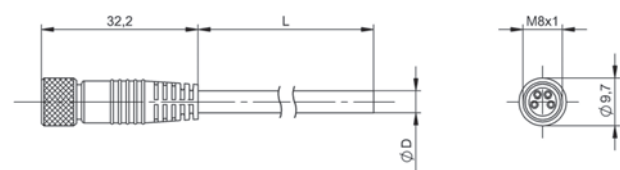
BCC M425-M413-3A-300...  
BCC M425-M413-3A-602...



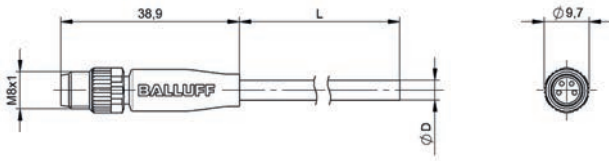
BCC M425-M423-3A-300...



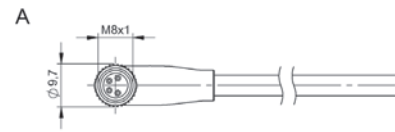
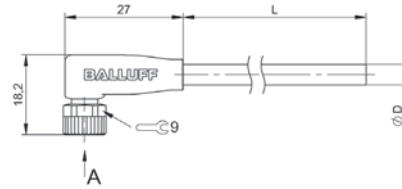
BCC M314-0000-10-003...



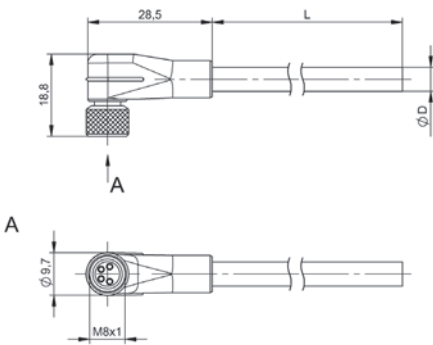
BCC M314-0000-10-014...



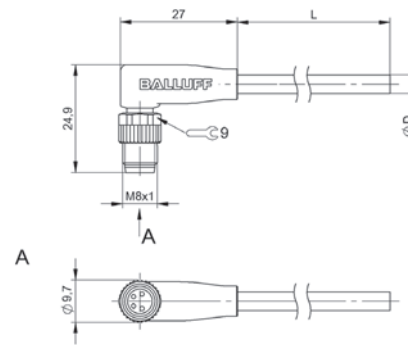
BCC M314-0000-20-003-...



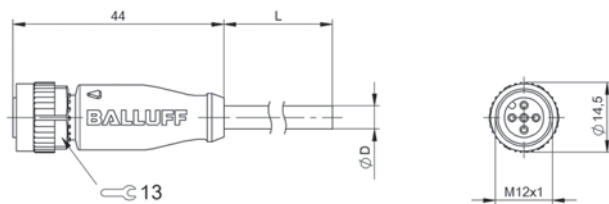
BCC M324-0000-10-003-...  
BCC M324-0000-10-008-...



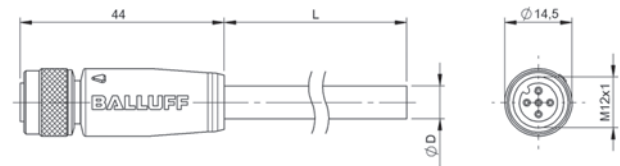
BCC M324-0000-10-014-...



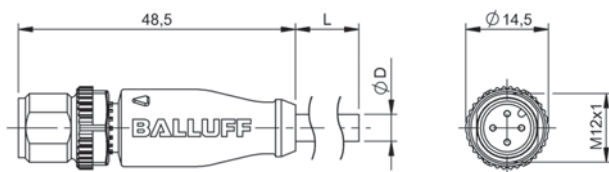
BCC M324-0000-20-003-...



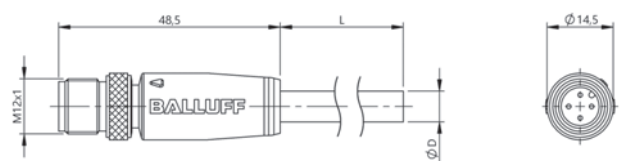
BCC M415-0000-1A-003-...  
BCC M415-0000-1A-008-...  
BCC M415-0000-1A-010-...



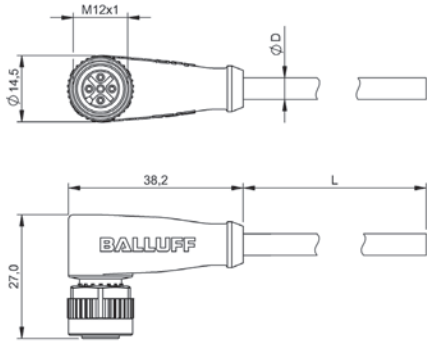
BCC M415-0000-1A-014-...



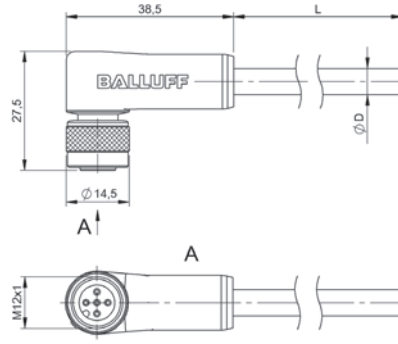
BCC M414-0000-2A-003-...



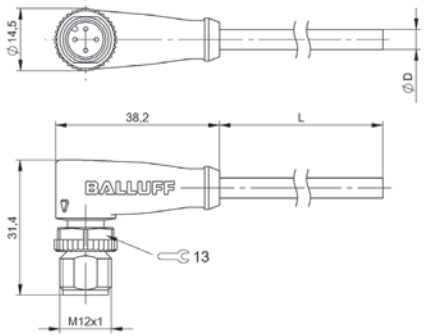
BCC M414-0000-2A-014-...



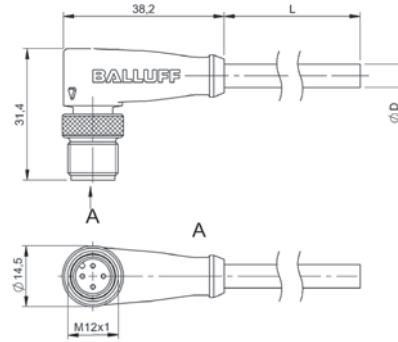
BCC M425-0000-1A-003-...  
 BCC M425-0000-1A-008-...  
 BCC M425-0000-1A-010-...



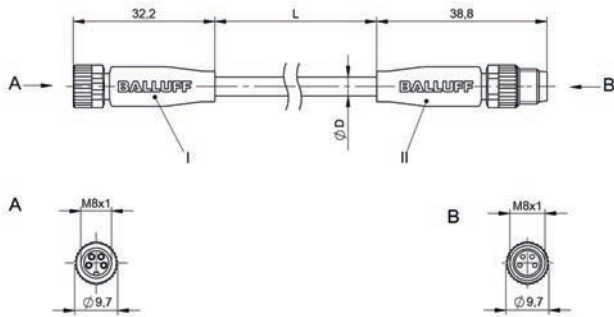
BCC M425-0000-1A-014-...



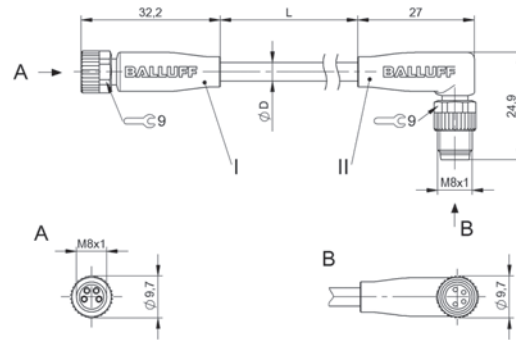
BCC M424-0000-2A-003-...  
 BCC M424-0000-2A-008-...



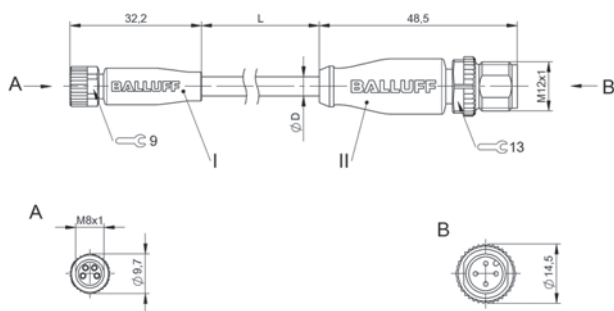
BCC M424-0000-2A-014-...



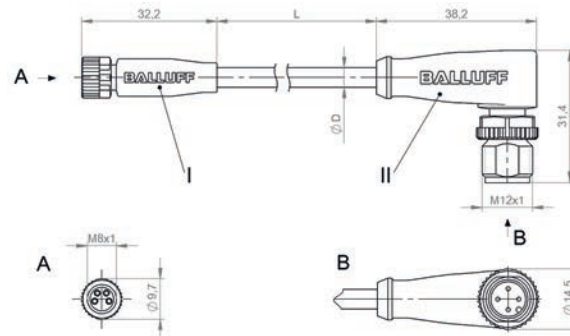
BCC M314-M314-30-304-...



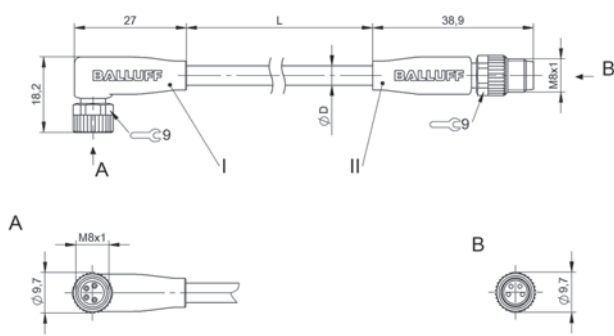
BCC M314-M324-30-304-...



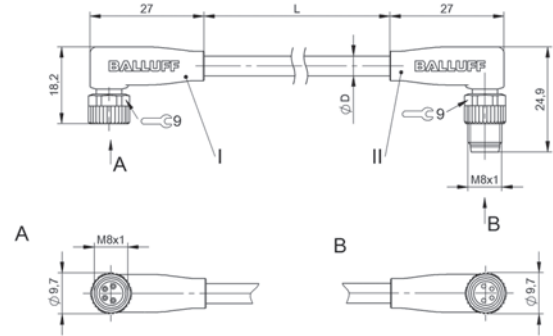
BCC M314-M414-3E-304-...



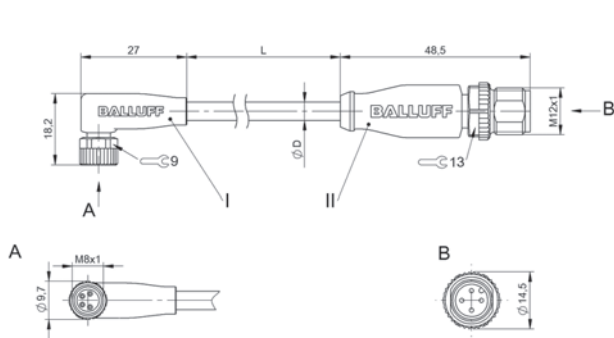
BCC M314-M424-3E-304-...



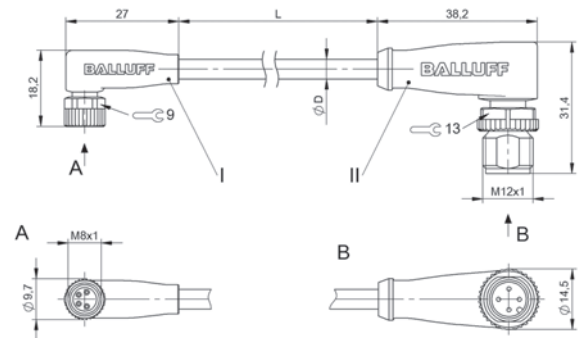
BCC M324-M314-30-304...



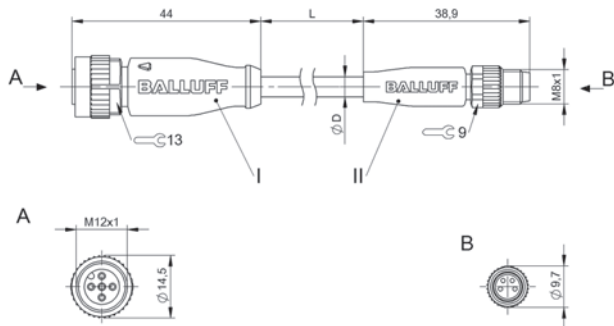
BCC M324-M324-30-304...



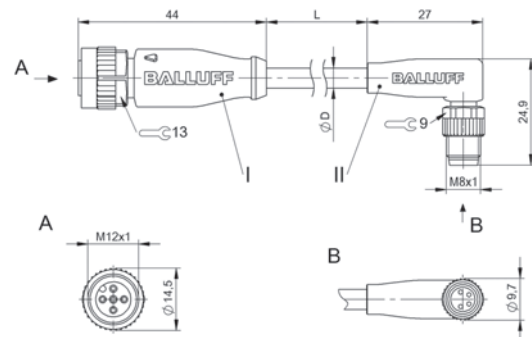
BCC M324-M414-3E-304...



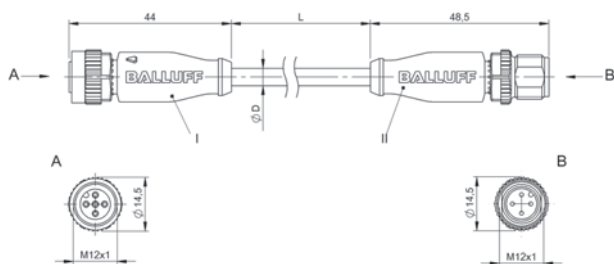
BCC M324-M424-3E-304...



BCC M415-M314-3F-304...

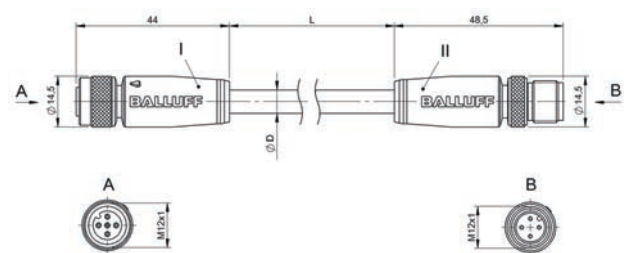


BCC M415-M324-3F-304...

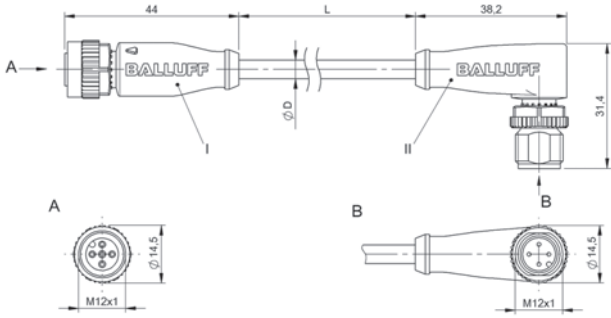


BCC M415-M414-3A-304...

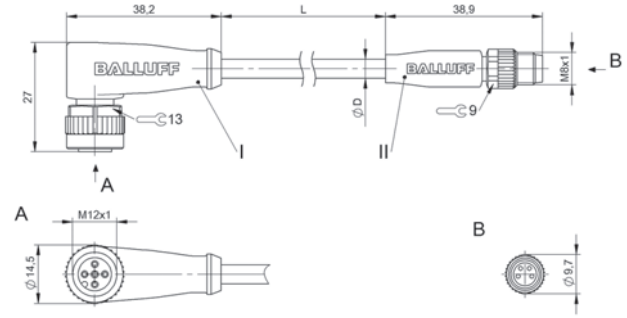
BCC M415-M414-3A-606...



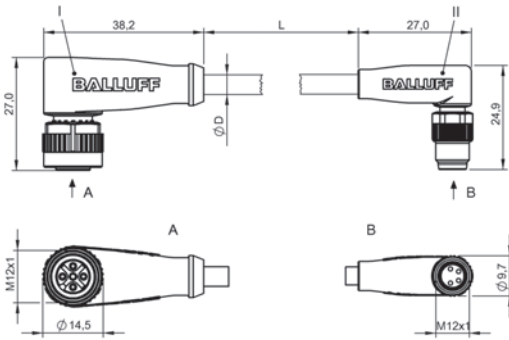
BCC M415-M414-3A-305-PS0434...



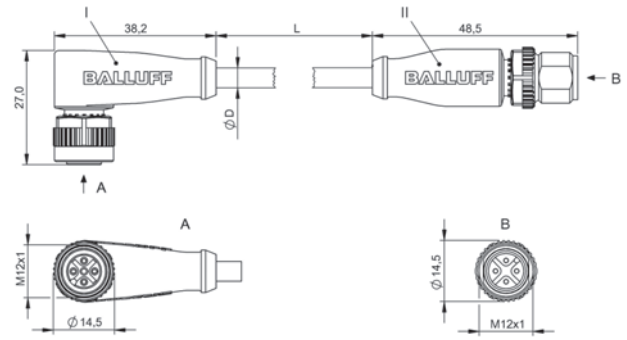
BCC M415-M424-3A-304...



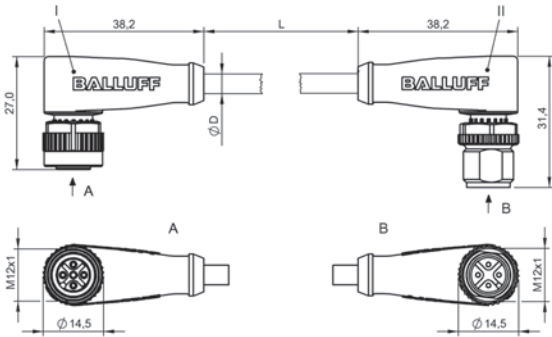
BCC M425-M314-3F-304...



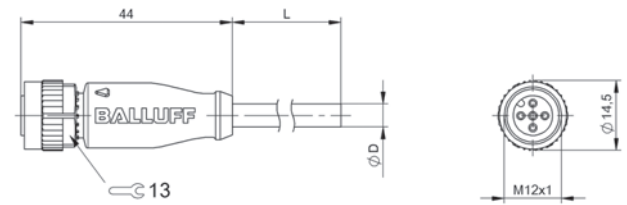
BCC M425-M324-3F-304...



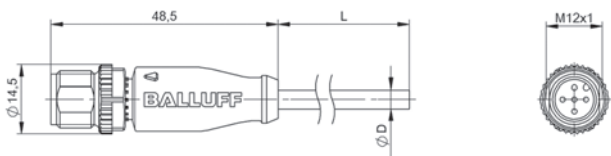
BCC M425-M414-3A-304...  
BCC M425-M414-3A-606...



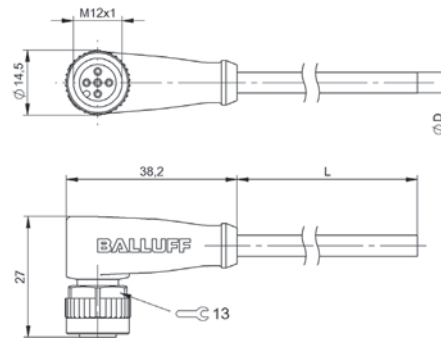
BCC M425-M424-3A-304...



BCC M415-0000-1A-017-PX0534...  
BCC M415-0000-1A-034-PX0534...



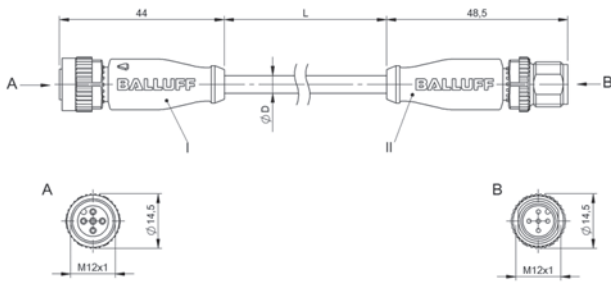
BCC M415-0000-2A-017-PX0534...  
BCC M415-0000-2A-034-PX0534...



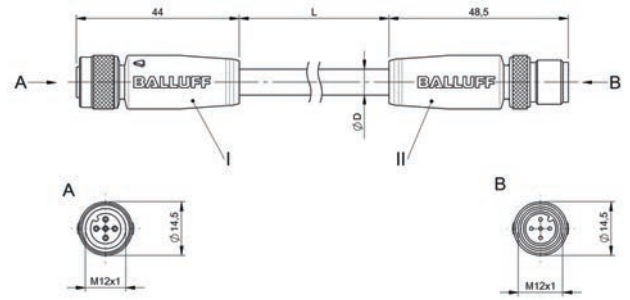
BCC M425-0000-1A-017-PX0534...  
BCC M425-0000-1A-034-PX0534...  
BCC M425-0000-1A-039-PX0534...  
BCC M425-0000-1A-040-PX0534...



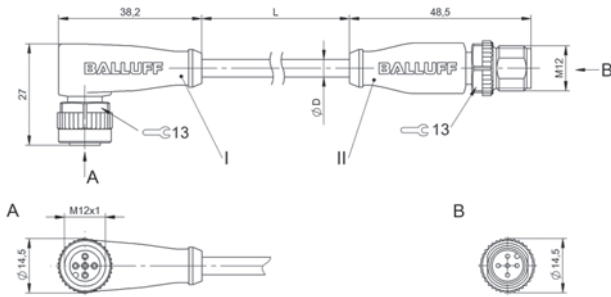




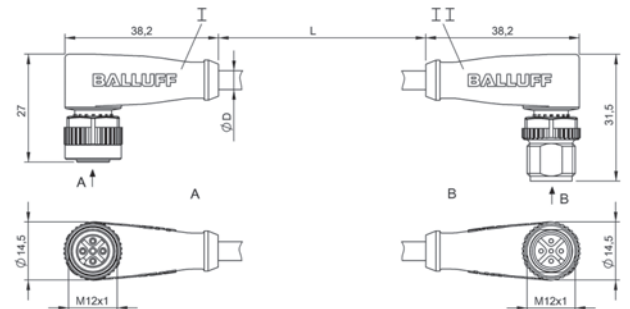
BCC M415-M415-3A-312-PX0534-...  
BCC M415-M415-3A-313-PX0534-...



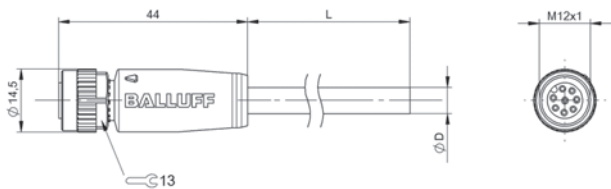
BCC M415-M415-3A-315-PS0534-...



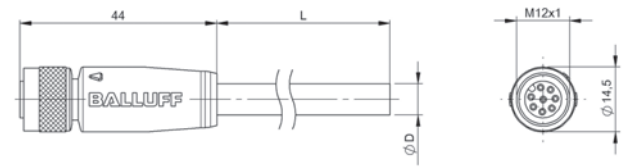
BCC M425-M415-3A-312-PX0534-...  
BCC M425-M415-3A-313-PX0534-...  
BCC M425-M415-3A-660-PX0534-...  
BCC M425-M415-3A-661-PX0534-...



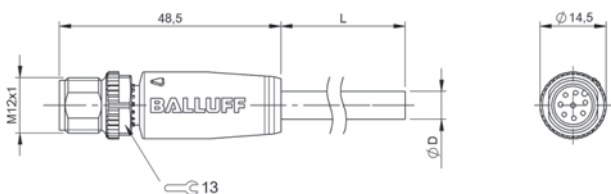
BCC M425-M425-3A-660-PX0534-...  
BCC M425-M425-3A-661-PX0534-...



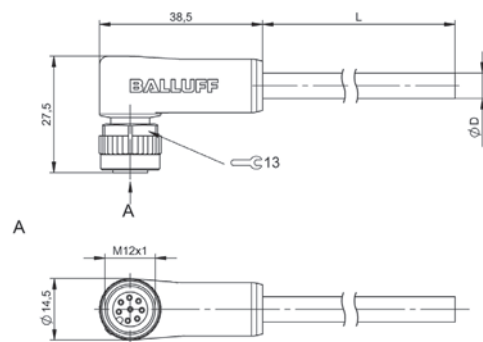
BCC M418-0000-1A-044-PX0825-...  
BCC M418-0000-1A-069-PX0825-...



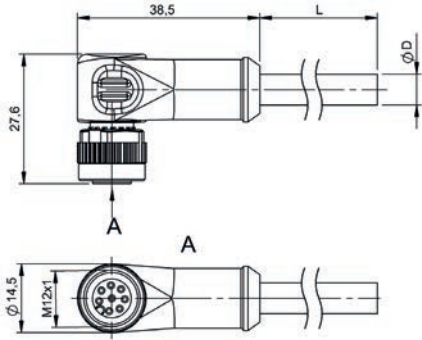
BCC M418-0000-1A-046-PS0825-...



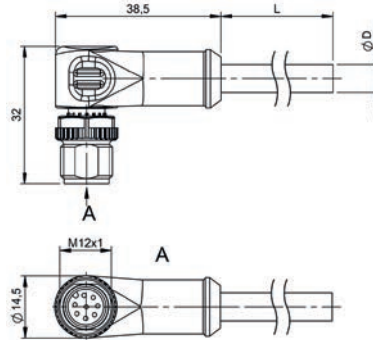
BCC M418-0000-2A-044-PX0825-...



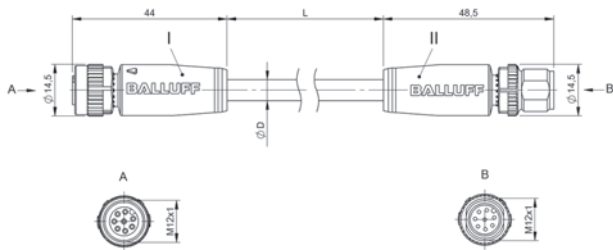
BCC M428-0000-1A-044-PX0825-...  
BCC M428-0000-1A-069-PX0825-...



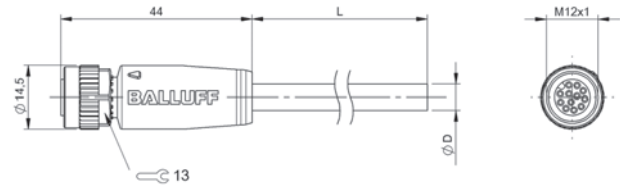
BCC M428-0000-1A-046-PS0825-...



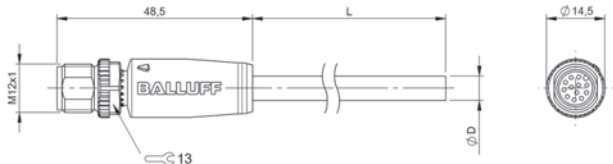
BCC M428-0000-2A-044-PX0825-...



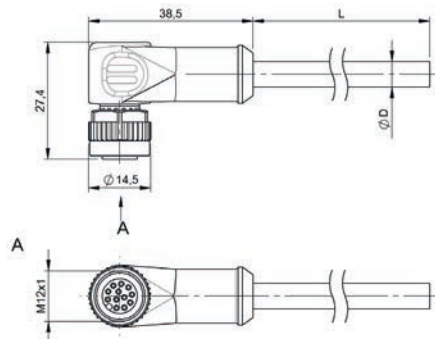
BCC M418-M418-3A-342-PX0825-...



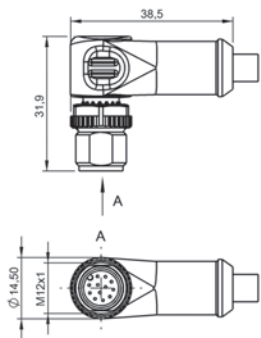
BCC M41C-0000-1A-049-PX0C25-...



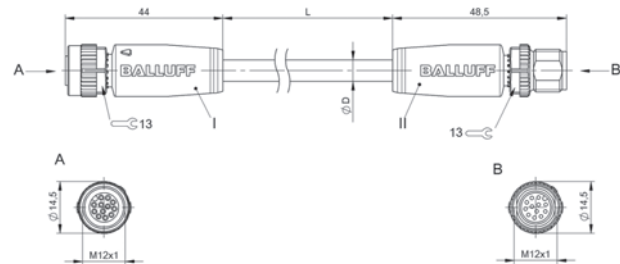
BCC M41C-0000-2A-049-PX0C25-...



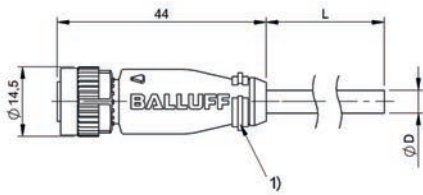
BCC M42C-0000-1A-049-PX0C25-...



BCC M42C-0000-2A-049-PX0C25-...

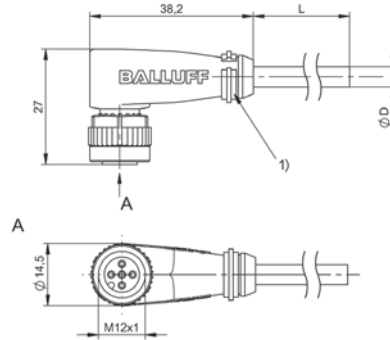


BCC M41C-M41C-3A-325-PX0C25-...



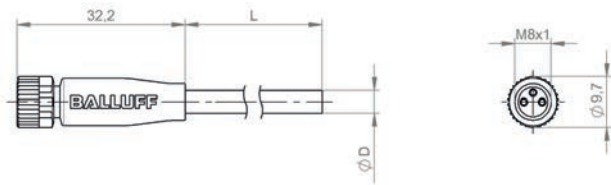
1) Identification clip, white

BCC M415-0000-1A-001-PH0334-...  
BCC M415-0000-1A-003-PH0434-...

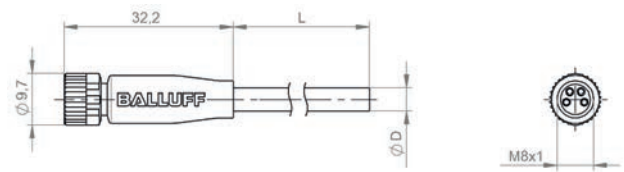


1) Identification clip, white

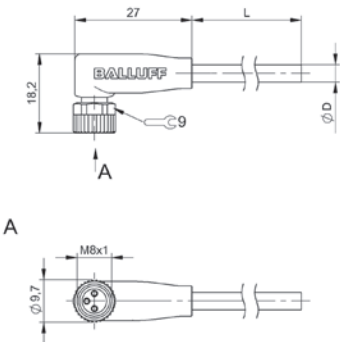
BCC M425-0000-1A-001-PH0334-...  
BCC M425-0000-1A-003-PH0434-...



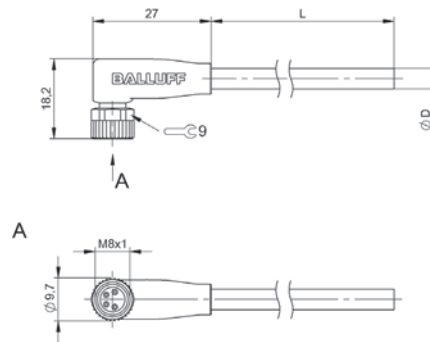
BCC M313-0000-10-001-PW3334-...



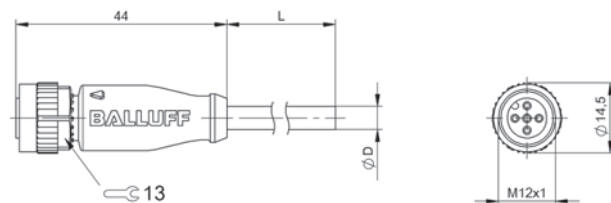
BCC M314-0000-10-003-PW3434-...



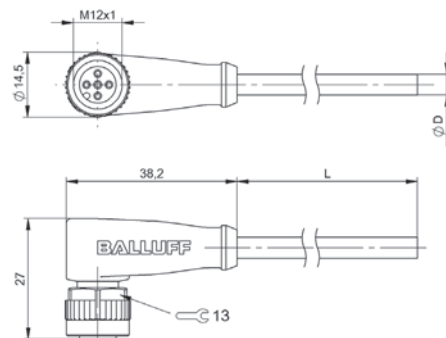
BCC M323-0000-10-001-PW3334-...



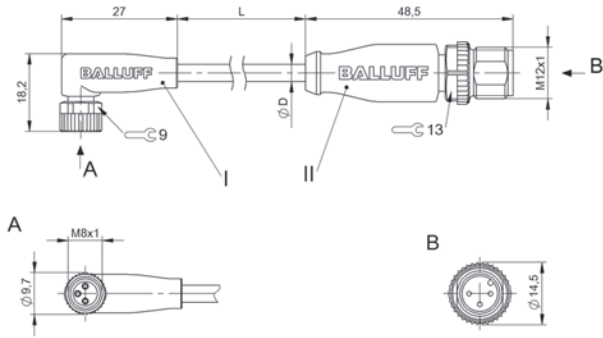
BCC M324-0000-10-003-PW3434-...



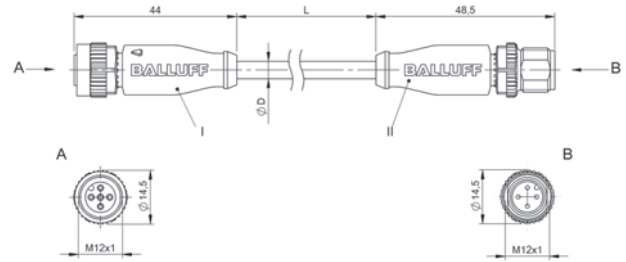
BCC M415-0000-1A-003-PW3434-...



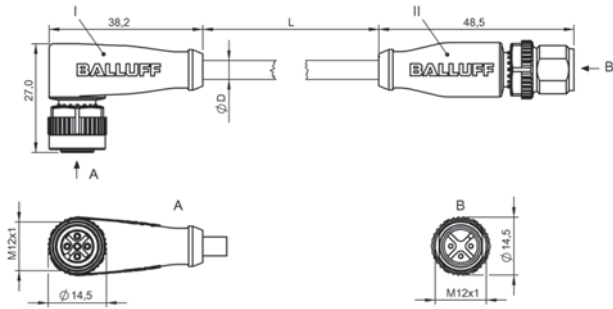
BCC M425-0000-1A-001-PW3334-...  
BCC M425-0000-1A-004-PW3334-...  
BCC M425-0000-1A-003-PW3434-...  
BCC M425-0000-1A-099-PW3434-...  
BCC M425-0000-1A-100-PW3534-...



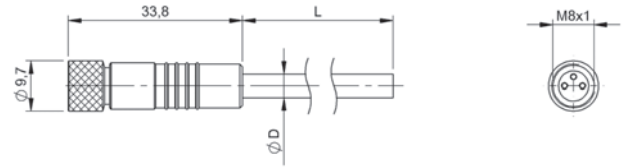
BCC M323-M413-3E-602-PW3334-...



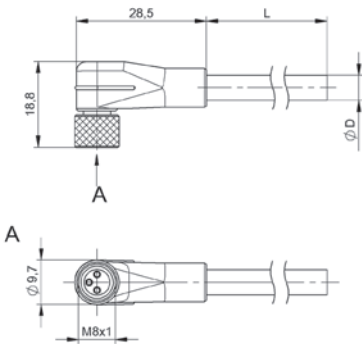
BCC M415-M414-3A-304-PW3434-...  
BCC M415-M415-3A-313-PW3534-...



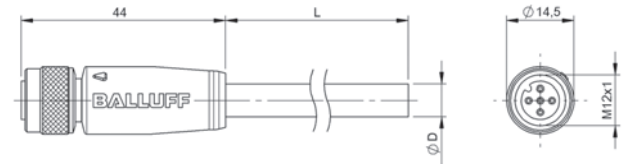
BCC M425-M413-3A-602-PW3334-...  
BCC M425-M414-3A-304-PW3434-...  
BCC M425-M414-3A-691-PW3434-...  
BCC M425-M415-3A-313-PW3534-...  
BCC M425-M415-3A-692-PW3534-...



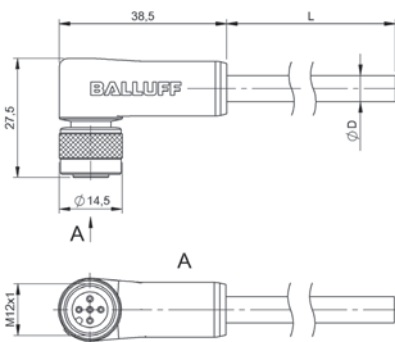
BCC W313-0000-10-001-BW8334-...  
BCC W314-0000-10-003-BW8434-...



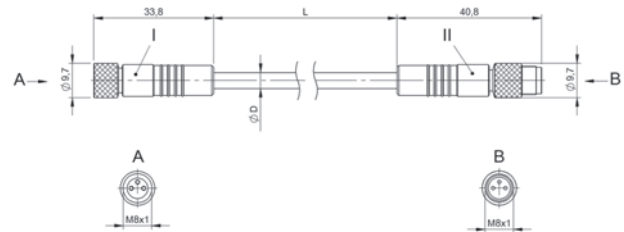
BCC W323-0000-10-001-BW8334-...  
BCC W324-0000-10-003-BW8434-...



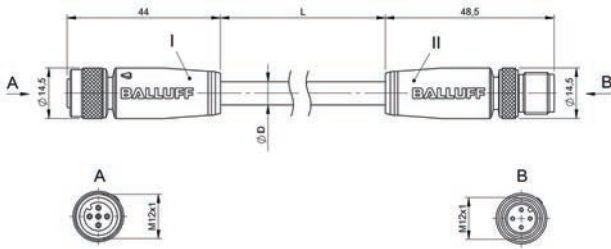
BCC W415-0000-1A-003-BW8434-...



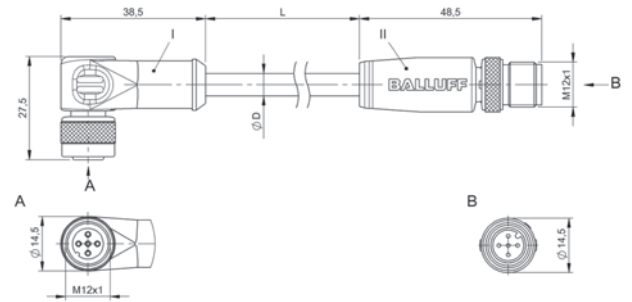
BCC W425-0000-1A-003-BW8434-...



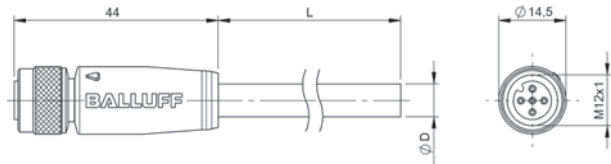
BCC W313-W313-30-300-BW8334-...



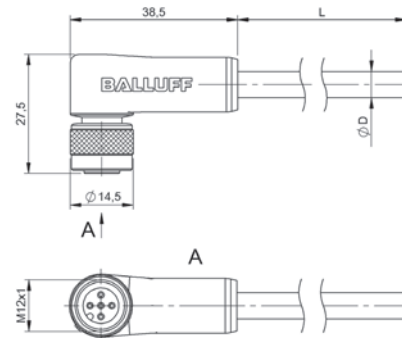
BCC W415-W414-3A-304-BW8434-...



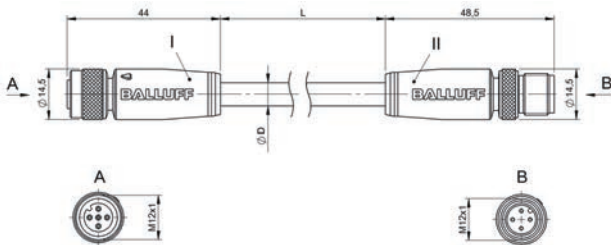
BCC W425-W414-3A-304-BW8434-...



BCC W415-0000-1A-003-SW0434-...

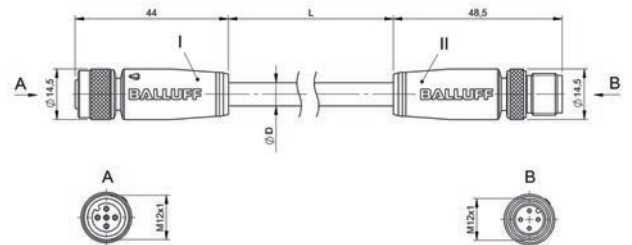


BCC W425-0000-1A-003-SW0434-...



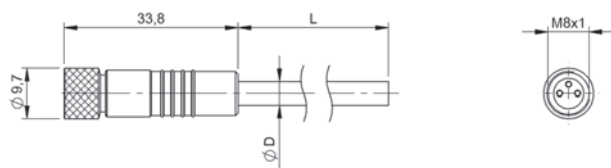
BCC W415-W414-3A-304-SW0434-...

BCC W415-W414-3A-650-SW0434-...

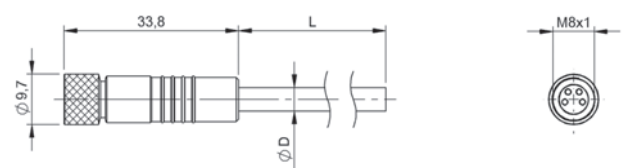


BCC W425-W414-3A-304-SW0434-...

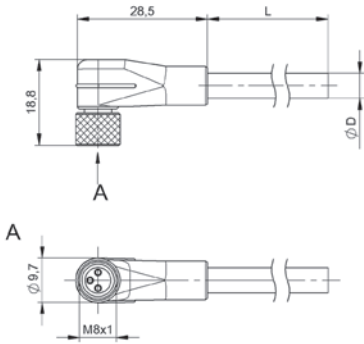
BCC W425-W414-3A-650-SW0434-...



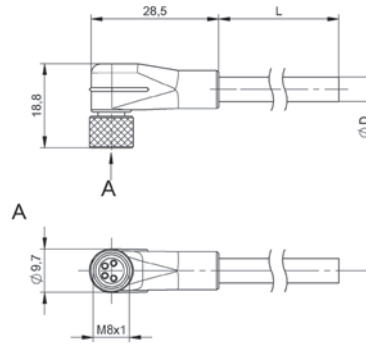
BCC W313-0000-10-001-TW0334-...



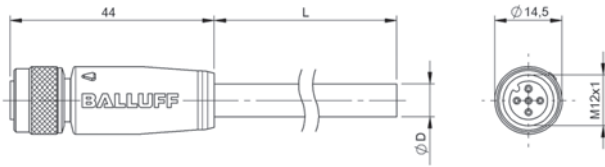
BCC W314-0000-10-003-TW0434-...



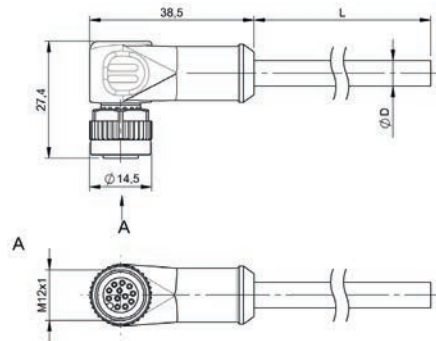
BCC W323-0000-10-001-TW0334-...



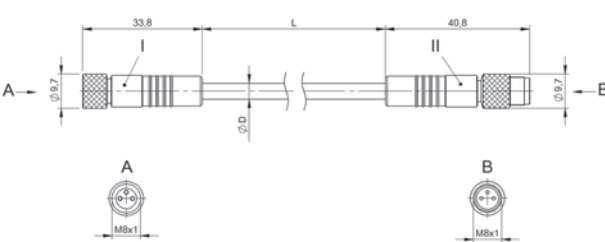
BCC W324-0000-10-003-TW0434-...



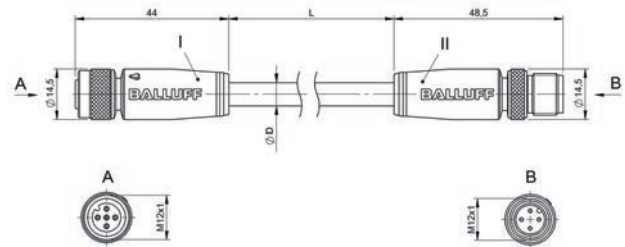
BCC W415-0000-1A-003-TW0434-...



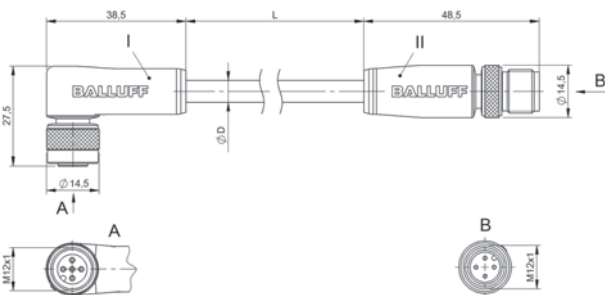
BCC W425-0000-1A-003-TW0434-...



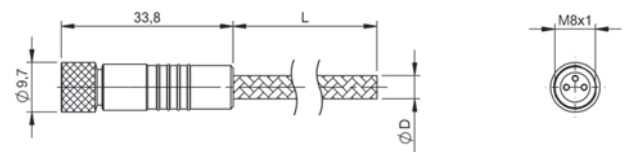
BCC W313-W313-30-300-TW0334-...



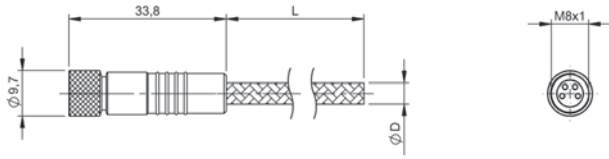
BCC W415-W414-3A-304-TW0434-...  
BCC W415-W414-3A-650-TW0434-...



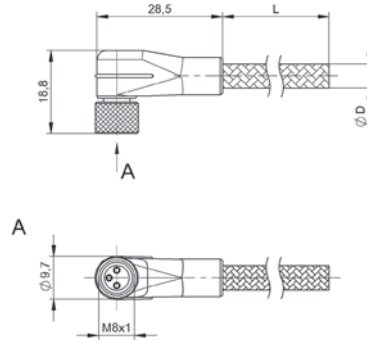
BCC W425-W414-3A-304-TW0434-...  
BCC W425-W414-3A-650-TW0434-...



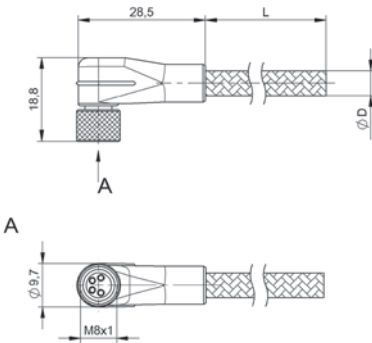
BCC W313-0000-10-001-MW8334-...



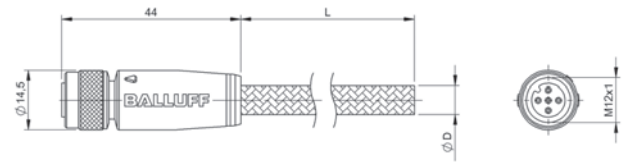
BCC W314-0000-10-003-MW8434-...



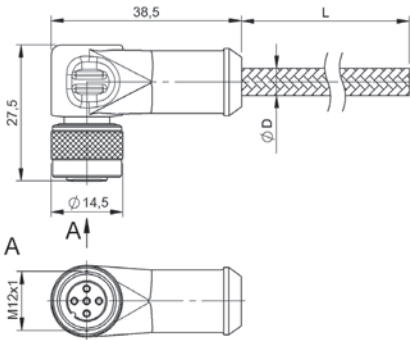
BCC W323-0000-10-001-MW8334-...



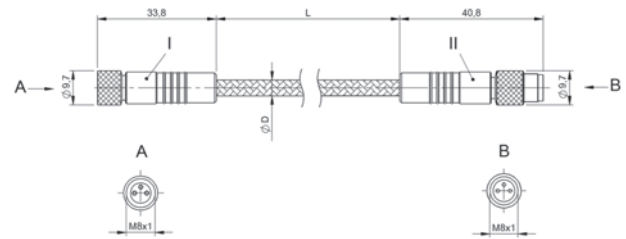
BCC W324-0000-10-003-MW8434-...



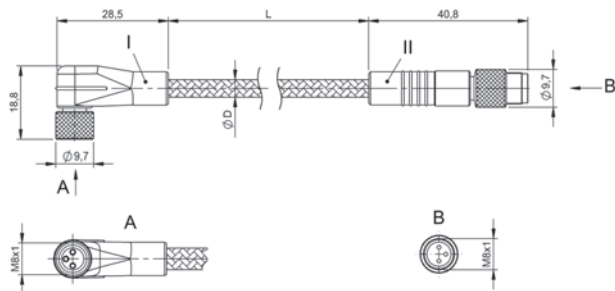
BCC W415-0000-1A-003-MW8434-...



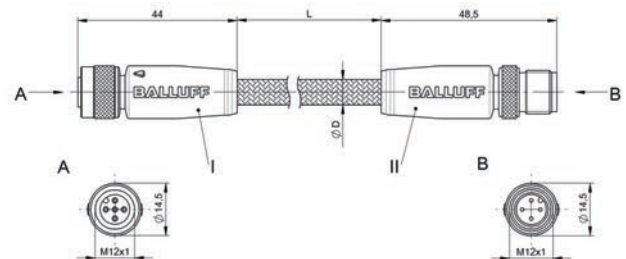
BCC W425-0000-1A-003-MW8434-...



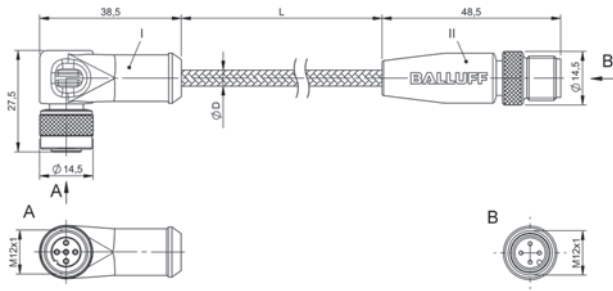
BCC W313-W313-30-300-MW8334-...



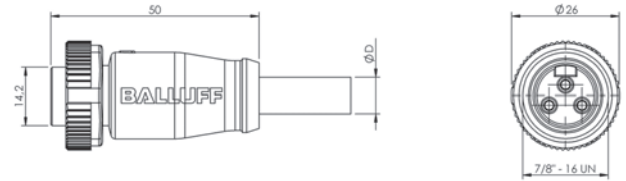
BCC W323-W313-30-300-MW8334-...



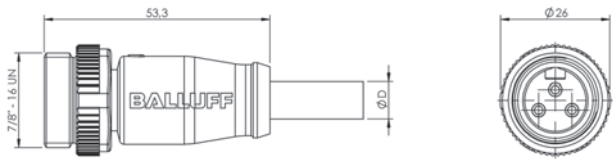
BCC W415-W414-3A-304-MW8434-...



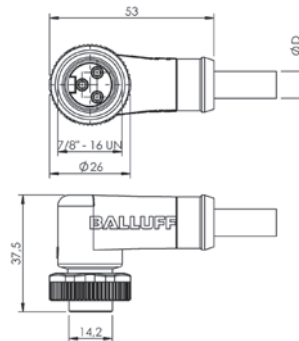
BCC W425-W414-3A-304-MW8434-...



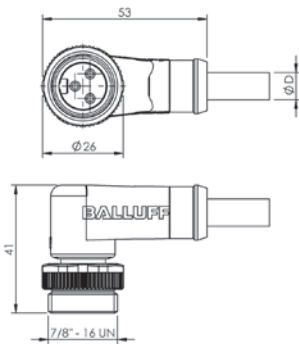
BCC A313-0000-10-097-PX03A5-...  
BCC A313-0000-10-071-VX43W6-...



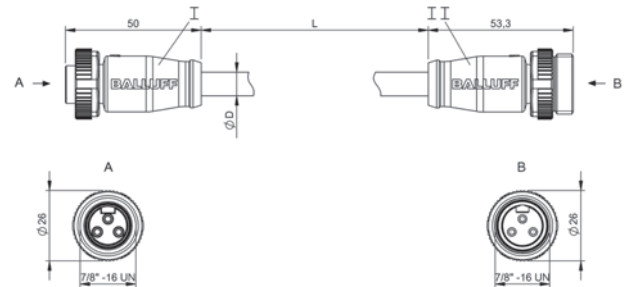
BCC A313-0000-20-071-VX43W6-...



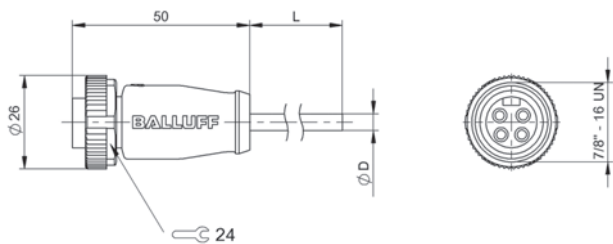
BCC A323-0000-10-097-PX03A5-...  
BCC A323-0000-10-071-VX43W6-...



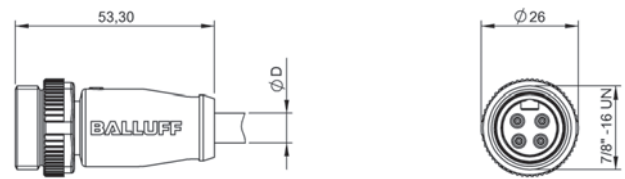
BCC A323-0000-20-071-VX43W6-...



BCC A313-A313-30-365-PX03A5-...



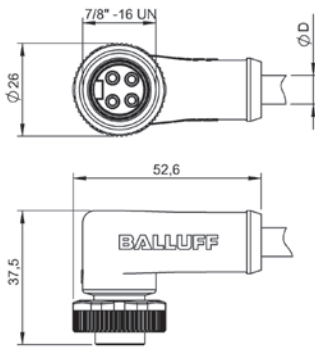
BCC A314-0000-10-003-...



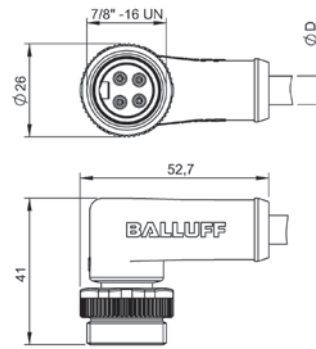
BCC A314-0000-20-003-...



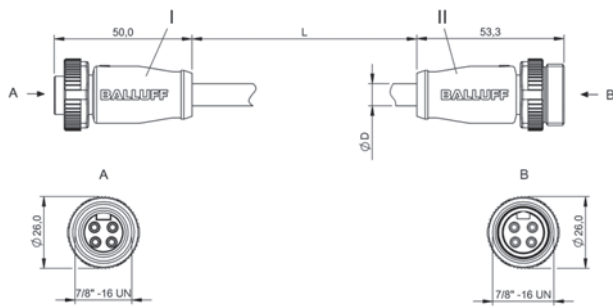
136 | Connectivity | Power Cables



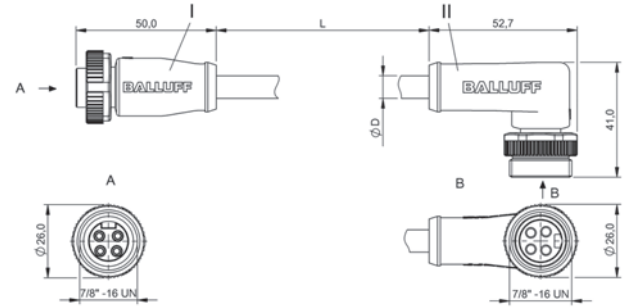
BCC A324-0000-10-003-...



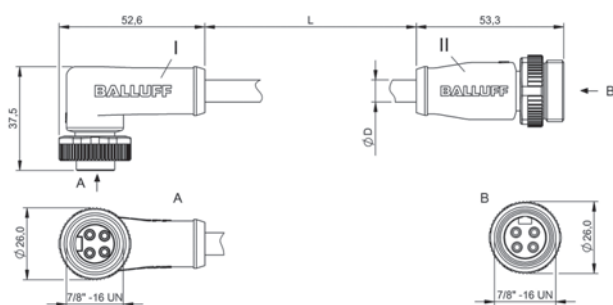
BCC A324-0000-20-003-...



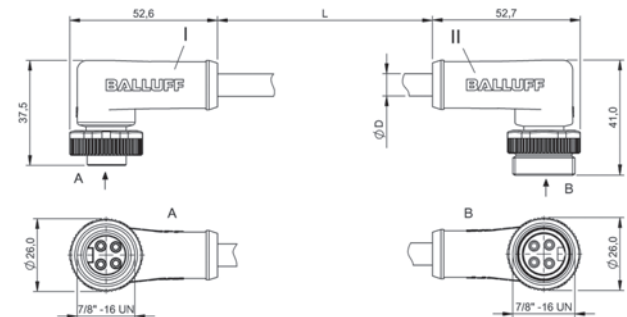
BCC A314-A314-30-304-...



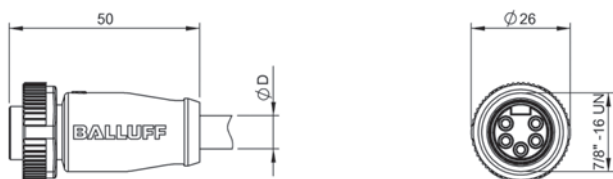
BCC A314-A324-30-304-...



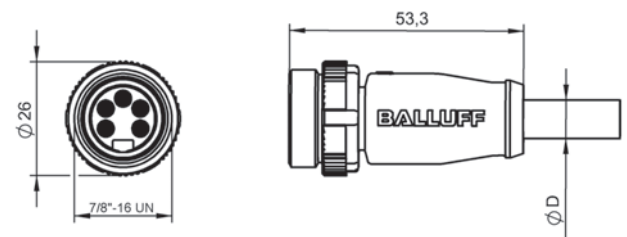
BCC A324-A314-30-304-...



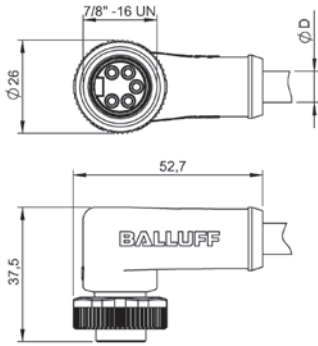
BCC A324-A324-30-304-...



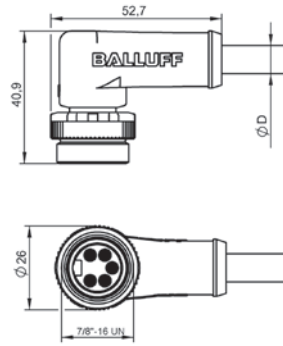
BCC A315-0000-10-063-...



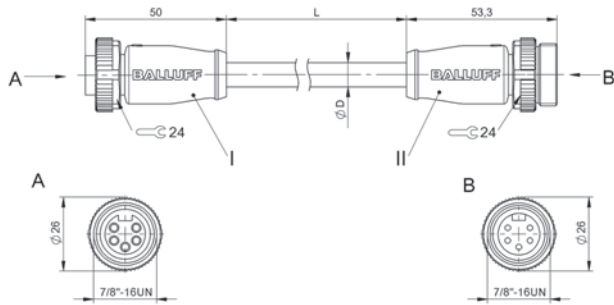
BCC A315-0000-20-063-...



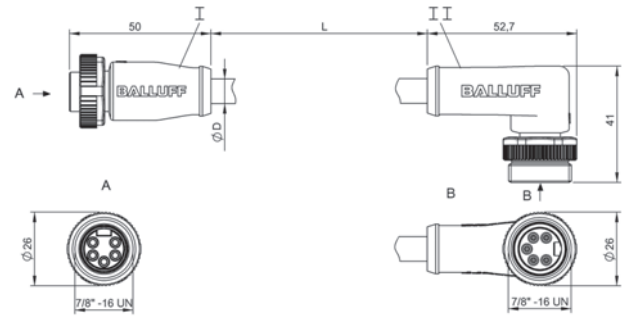
BCC A325-0000-10-063...



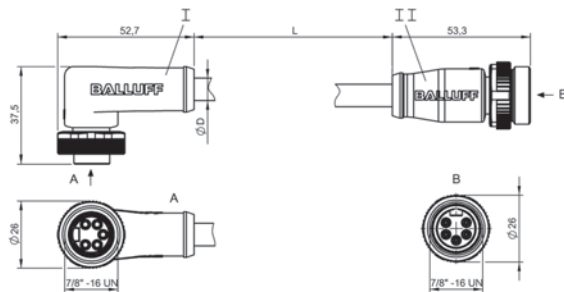
BCC A325-0000-20-063...



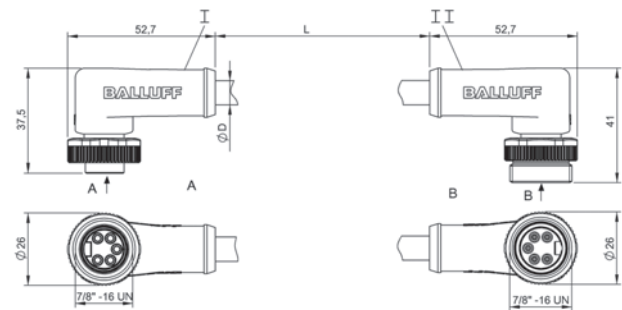
BCC A315-A315-30-335...



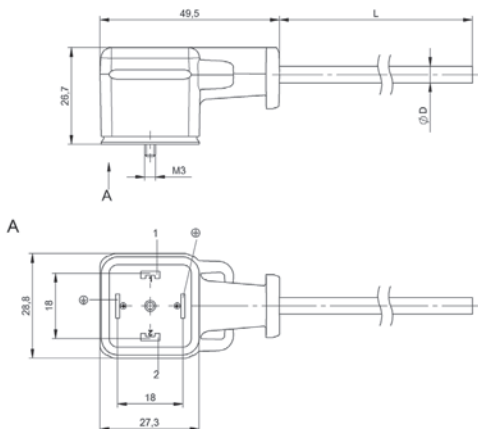
BCC A315-A325-30-335...



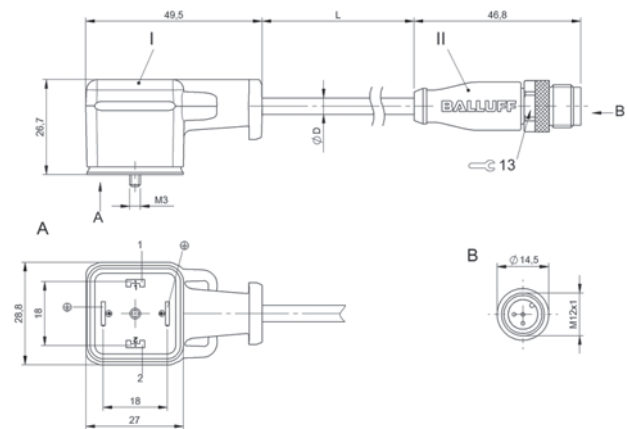
BCC A325-A315-30-335...



BCC A325-A325-30-335...

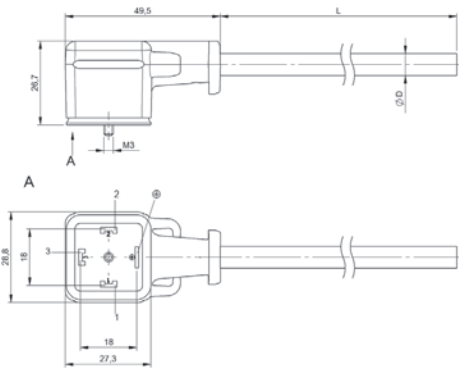


BCC VA04-0000-10-054-...  
BCC VA04-0000-10-053-...

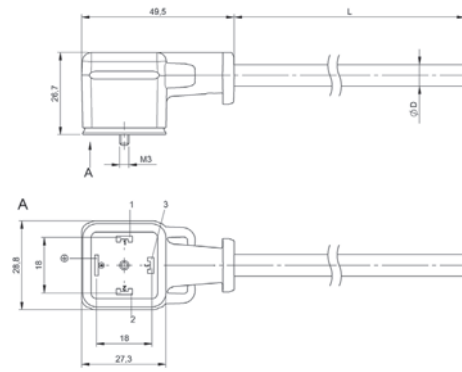


BCC VA04-M413-3E-664-...

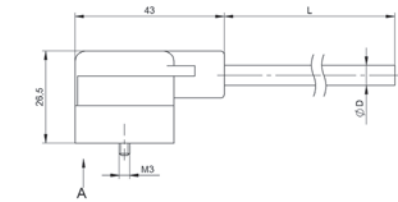
138 | Connectivity | Valve Connectors



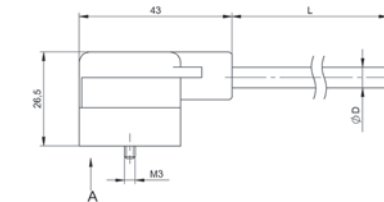
BCC PA04-0000-10-070-PX0550-...



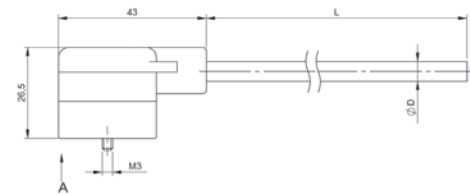
BCC PA24-0000-10-070-PX0550-...



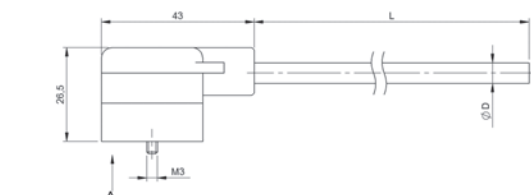
BCC VB03-0000-10-055-...



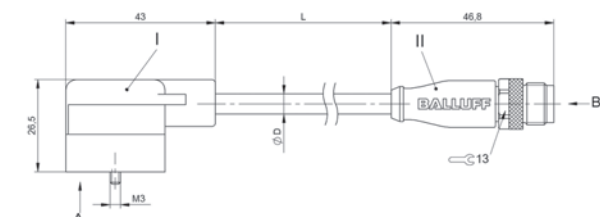
BCC VB23-0000-10-055-...



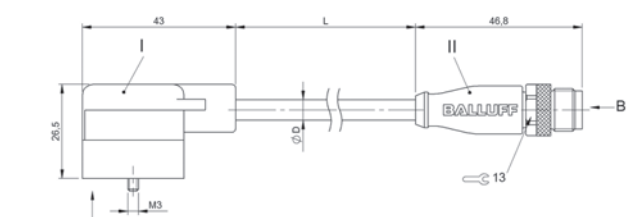
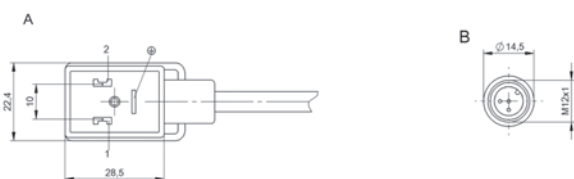
BCC VB43-0000-10-055-...



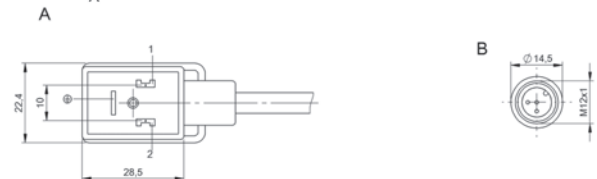
BCC VB63-0000-10-055-...

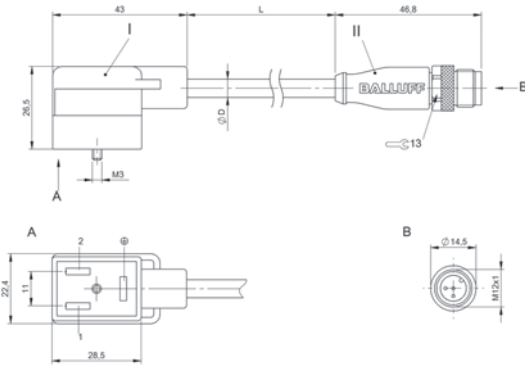


BCC VB03-M413-3E-666-PX0350-...

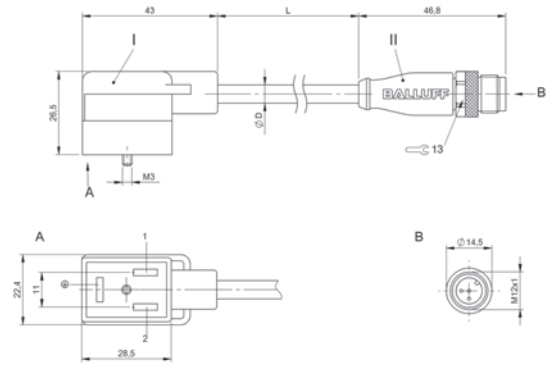


BCC VB23-M413-3E-666-PX0350-...

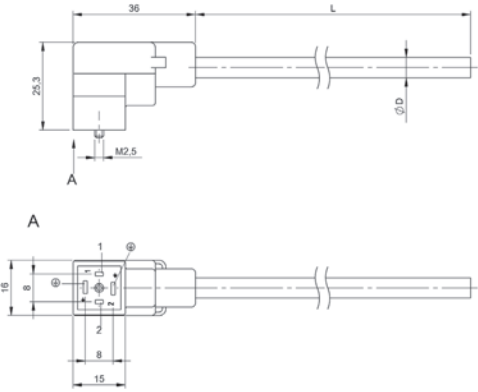




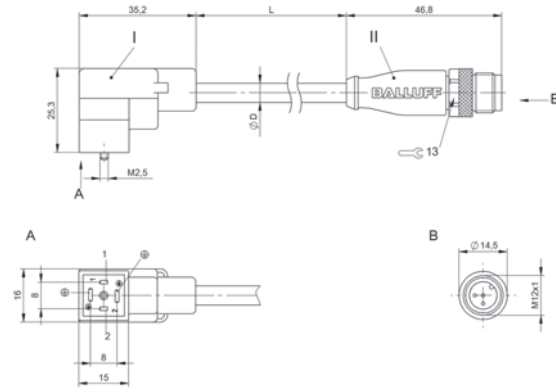
BCC VB43-M413-3E-666-PX0350-...



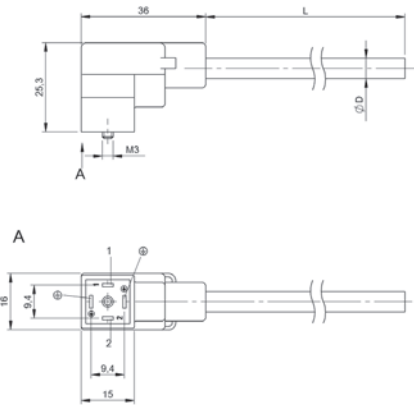
BCC VB63-M413-3E-666-PX0350-...



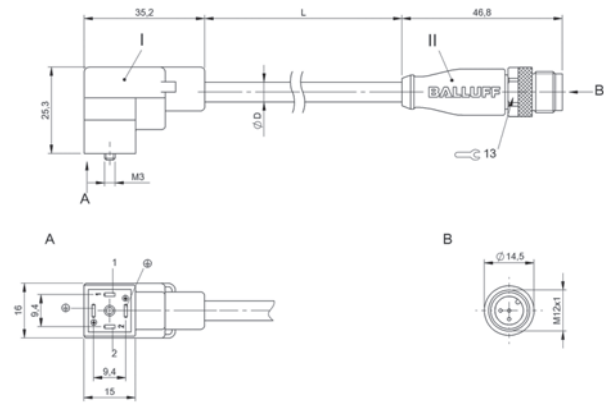
BCC VC04-0000-10-053-...



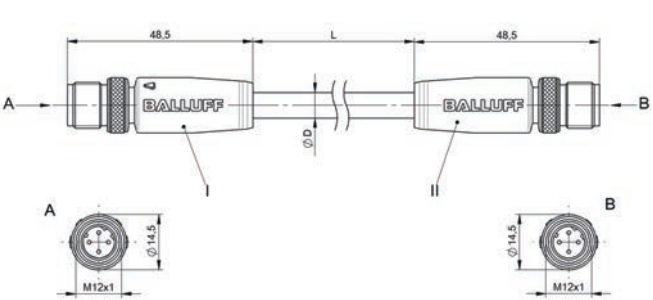
BCC VC04-M413-3E-664-PX0350-...



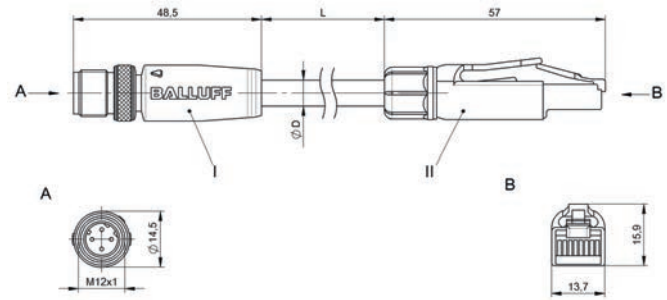
BCC VC44-0000-10-053-...



BCC VC44-M413-3E-664-PX0350-...

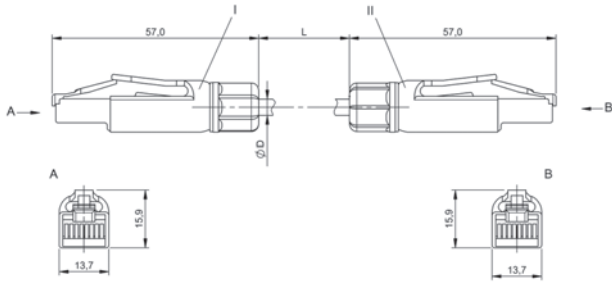


BCC M414-M414-6D-331-PS54N2-...

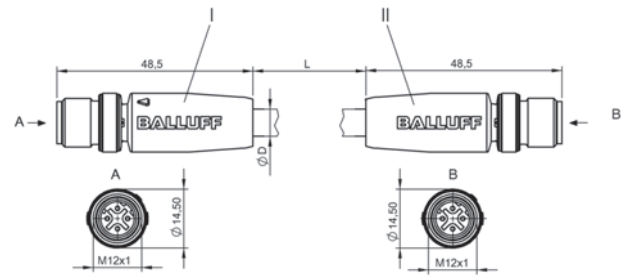


BCC M414-E834-8G-668-PS54N2-...

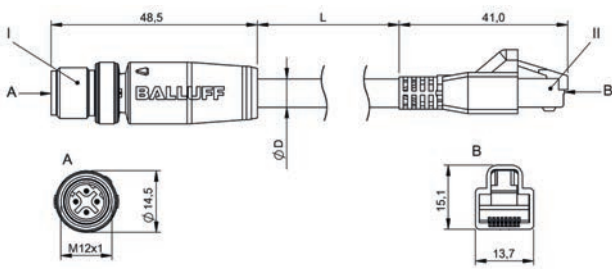




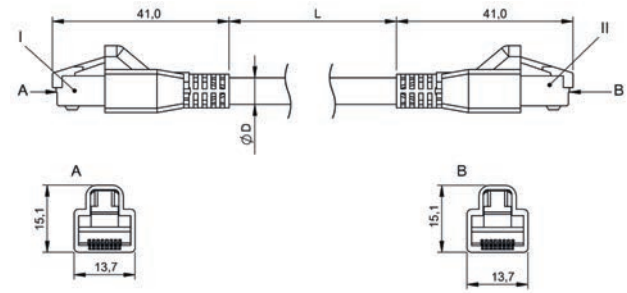
BCC E834-E834-90-334-PS54N2-...



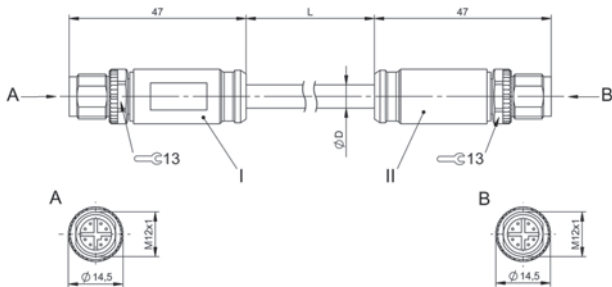
BCC M414-M414-6D-338-ES64N9-...



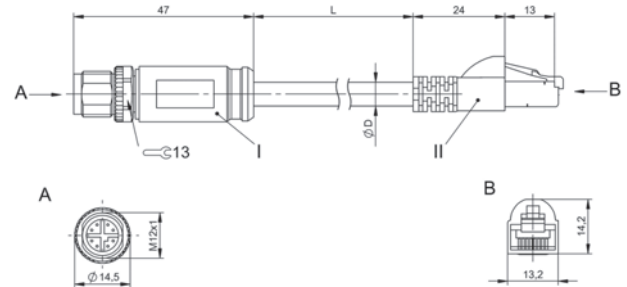
BCC M414-E894-8G-672-ES64N9-...



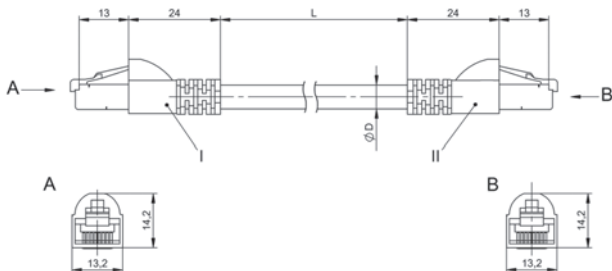
BCC E894-E894-90-339-ES64N9-...



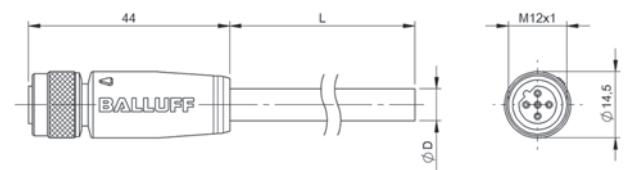
BCC M418-M418-6X-378-PS58N9-...



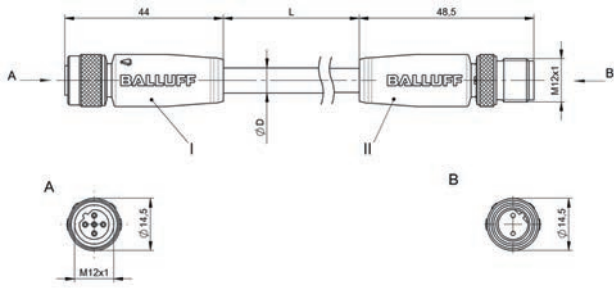
BCC M418-E818-8X0-723-PS58N9-...



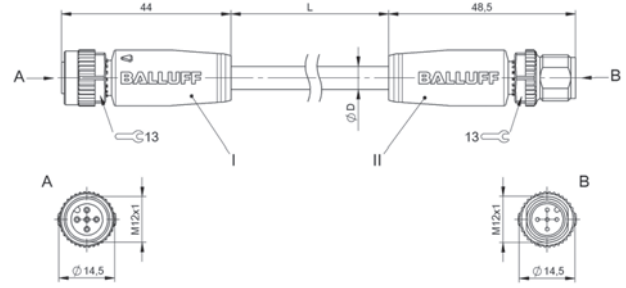
BCC E818-E818-90-377-PS58N9-...



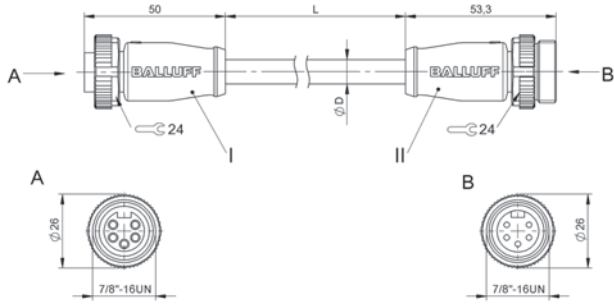
BCC M415-0000-1B-031-PS72N1-...



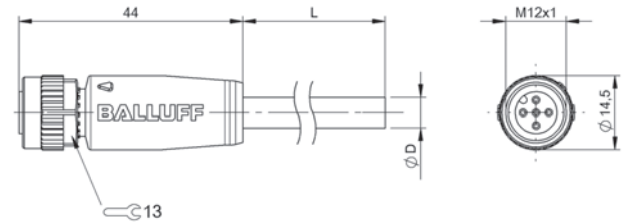
BCC M415-M412-3B-329-PS72N1-...



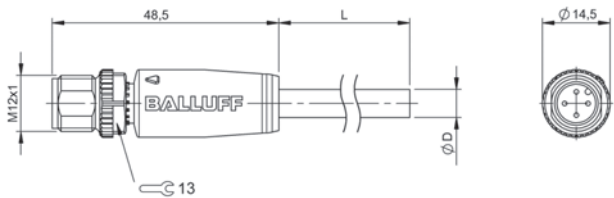
BCC M415-M415-3A-330-...



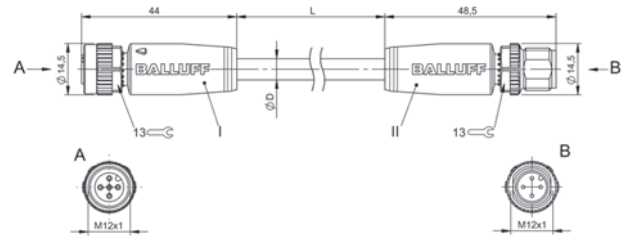
BCC A315-A315-30-330-...



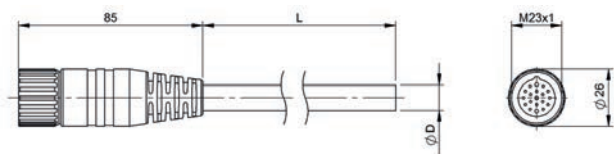
BCC M415-0000-1A-068-VS24N7-...



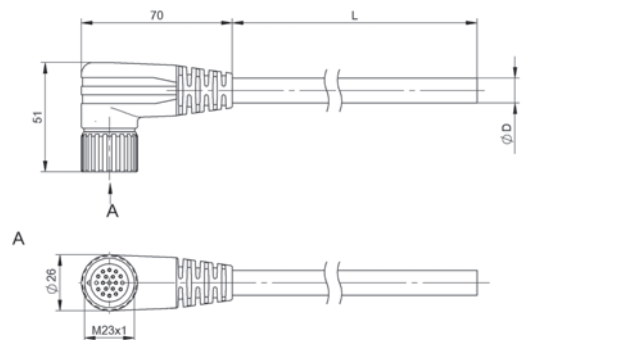
BCC M414-0000-2A-068-VS24N7-...



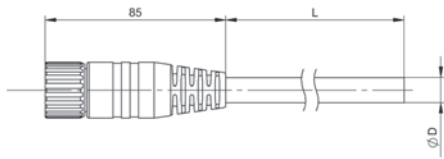
BCC M415-M414-3A-337-VS24N7-...



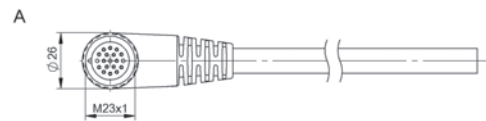
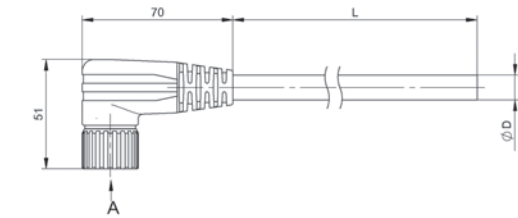
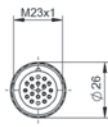
BCC M61C-0000-10-065-PX0BP4-...



BCC M62C-0000-10-065-PX0BP4-...



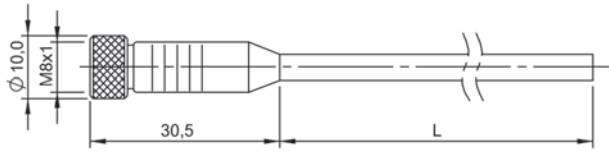
BCC M61L-0000-10-022-PX0LP4-...



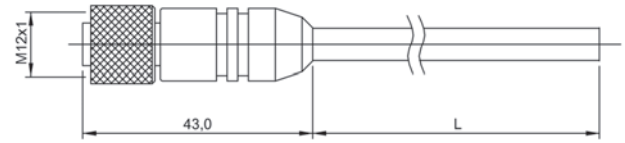
BCC M62L-0000-10-022-PX0LP4-...



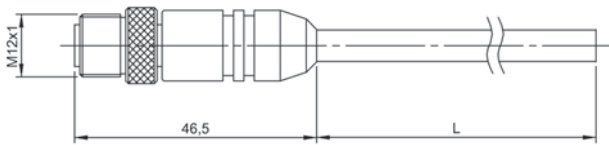




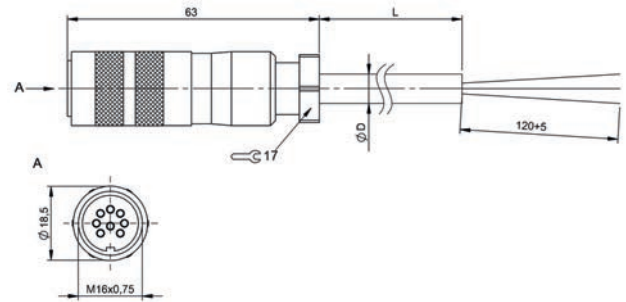
BCC0069, BCC006A, BCC006C



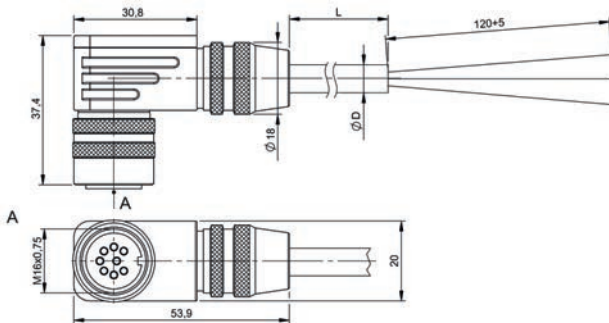
BCC0098, BCC0099, BCC009A



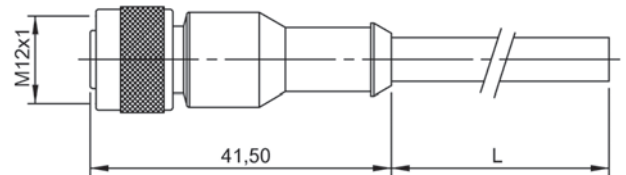
BCC002N, BCC002P, BCC002R



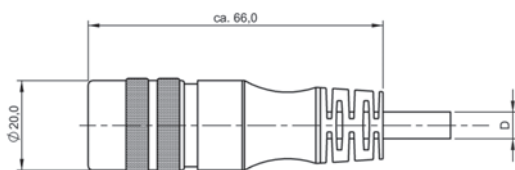
BCC00TU, BCC00TY, BCC00TZ



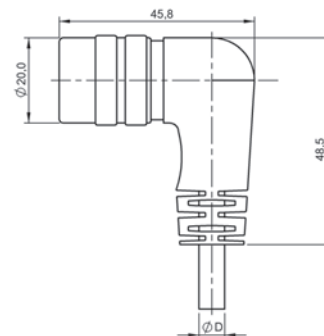
BCC00UR, BCC00UU, BCC00UW



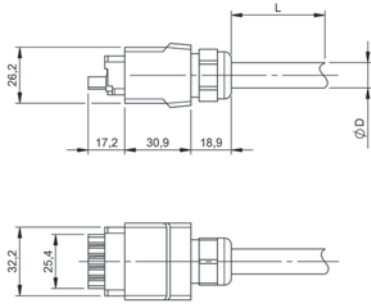
BCC00YE, BCC00YF, BCC00YH



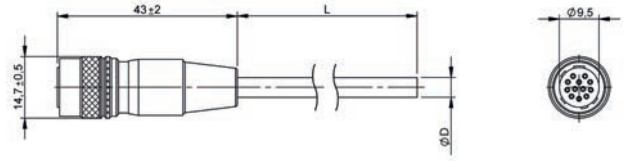
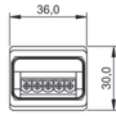
BCC0102, BCC0103, BCC0104



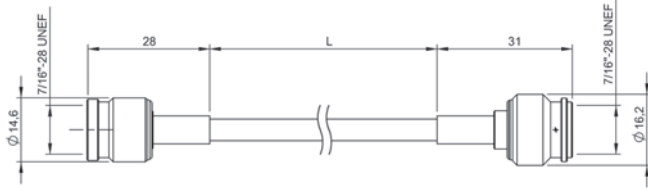
BCC010E, BCC010F, BCC010H



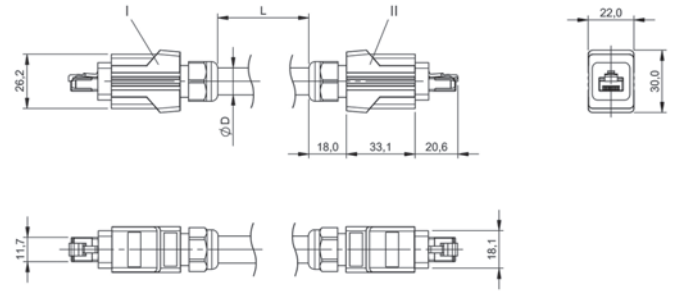
BCC0F4J, BCC0F4K, BCC0F4L



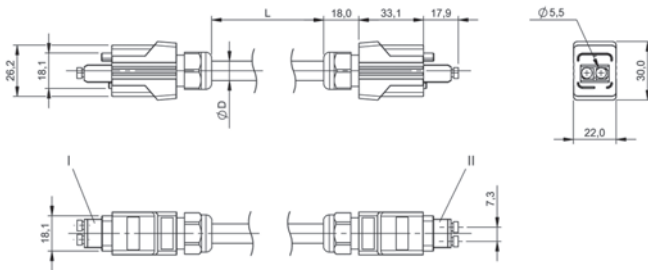
BCC0KL6, BCC0KL7, BCC0KL8



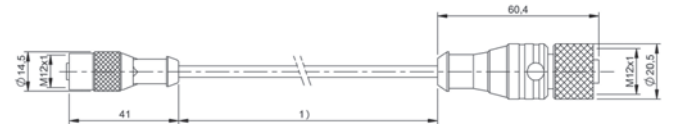
BAM01HL, BAM01HM, BAM01YR, BAM01HN, BAM01HP, BAM01WN, BAM01WP



BCC0F4W, BCC0F4Y, BCC0F4Z

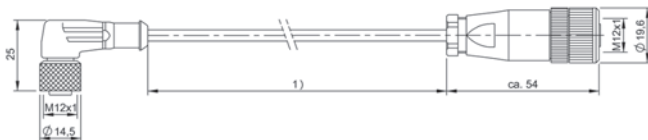


BCC0F52, BCC0F53, BCC0F54



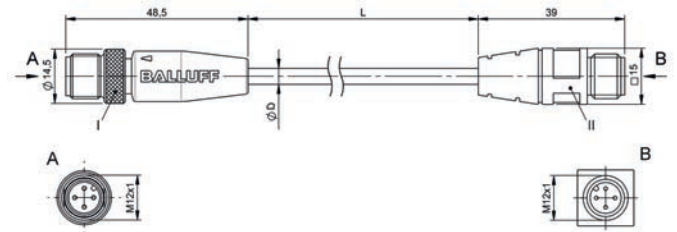
1) Cable length see text

BCC00N2, BCC00N3

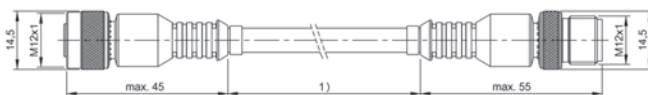


1) Cable length see text

BCC00N7, BCC00N8

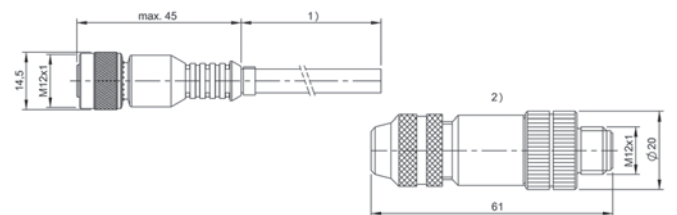


BCC0FCK



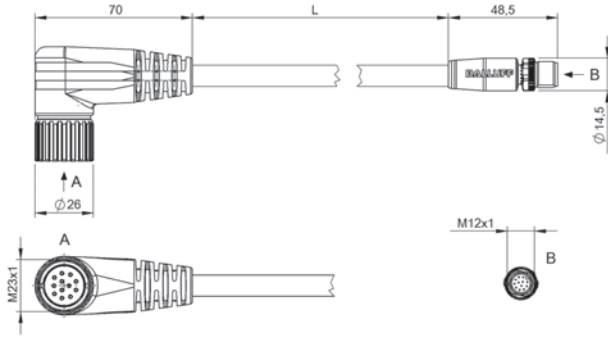
1) Cable length see text

BCC00R8, BCC00RA

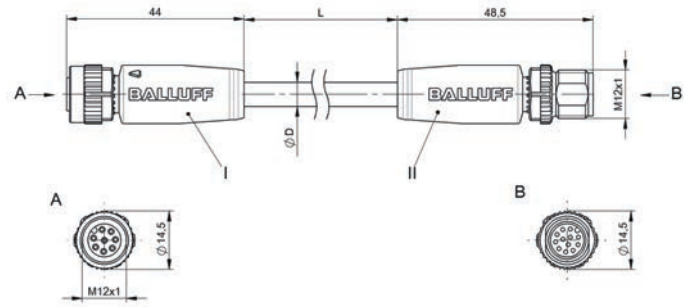


1) Cable length see text, 2) Connector included

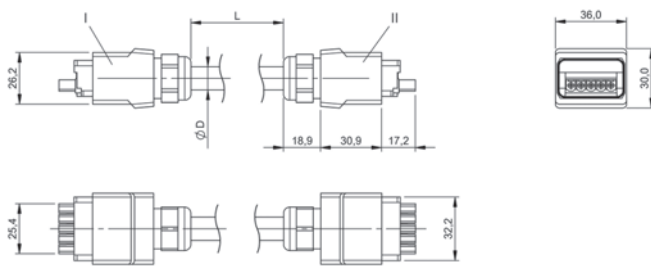
BCC00R9, BCC00RC



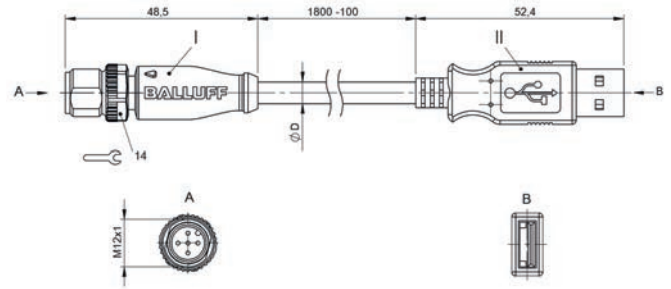
BCC088T, BCC088U



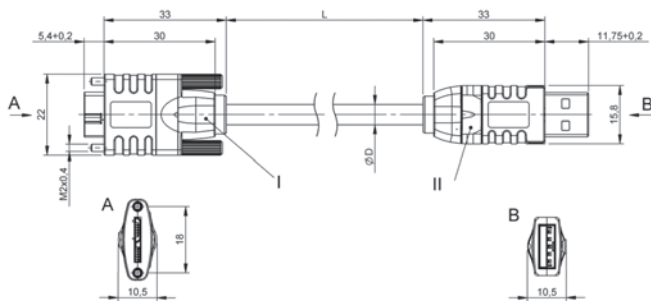
BCC088K, BCC088L



BCC0F4N, BCC0F4P, BCC0F4R



BCC0CR2



BCC0KL9, BCC0KLA, BCC0KLC

Sensors

RFID

Machine Vision and  
Optical Identification

Human Machine  
Interfaces

Systems

Safety

Industrial Networking

Power Supply

Connectivity

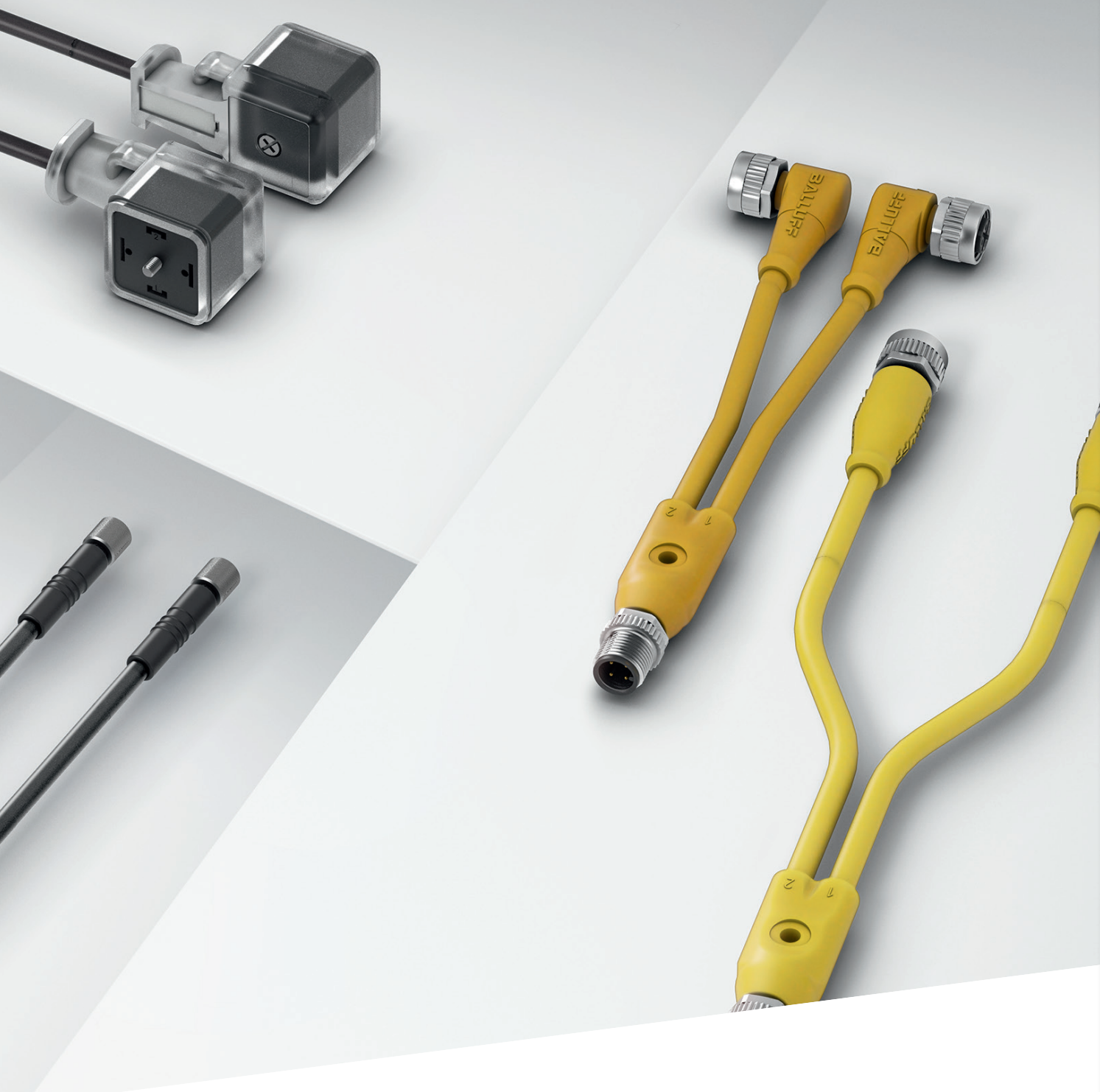
Accessories





Robust splitters for rapid,  
reliable connections

# Y-SPLITTERS



With our Y-splitters, you can collect, connect and split two signals in the field. Our comprehensive program offers robust and industrial-grade Y-splitters with various designs. All splitters ensure a rapid and reliable connection.

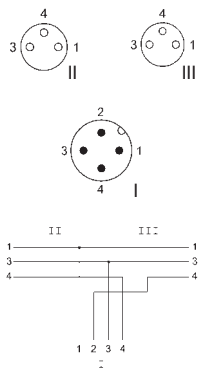
#### The most important benefits

- Connecting different lines
- Comprehensive product range
- Various designs
- Reliable and rapid connection
- High dust and water protection
- Robust and industrial grade

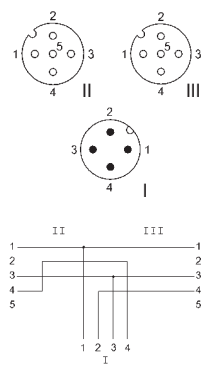


		BCC M414-M313-M313 ...
Connection		M12 male, A-coded/ M8 female, A-coded/ M8 female, A-coded
Version		straight/straight/straight
Rated voltage		60 V AC/DC
Rated current		4 A
Degree of protection		IP67/IP67, IP69K/IP67, IP69K
PUR, black		BCC M414-M313-M313-U2026-__ _Ⓢ
PVC, yellow		BCC M414-M313-M313-U2012-__ _Ⓢ
TPE, yellow		-
Approval/Conformity		CE, EAC
For drawing see page		154

**M12 male/  
M8 female/  
M8 female**



**M12 male/  
M12 female/  
M12 female**





BCC M414-M323-M323 ...	BCC M414-M415-M415 ...	BCC M414-M425-M425 ...
M12 male, A-coded/ M8 female, A-coded/ M8 female, A-coded	M12 male, A-coded/ M12 female, A-coded/ M12 female, A-coded	M12 male, A-coded/ M12 female, A-coded/ M12 female, A-coded
straight/angled/angled	straight/straight/straight	straight/angled/angled
60 V AC/DC	250 V AC/DC	250 V AC/DC
4 A	4 A	4 A
IP67/IP67, IP69K/IP67, IP69K	IP67/IP67, IP68, IP69K/IP67, IP68, IP69K	IP67/IP67, IP68, IP69K/IP67, IP68, IP69K
–	BCC M414-M415-M415-U2028-__ _②	BCC M414-M425-M425-U2028-__ _②
BCC M414-M323-M323-U2012-__ _②	BCC M414-M415-M415-U2010-__ _②	BCC M414-M425-M425-U2010-__ _②
–	BCC M414-M415-M415-U2002-__ _②	BCC M414-M425-M425-U2002-__ _②
CE, EAC	EAC	EAC
2	2	2

Material	Color	Number of conductors × conductor cross-section	Cable temperature fixed in place	Cable temperature flexed
<b>UNSHIELDED</b>				
PUR	Black	3 × 0.34 mm <sup>2</sup>	–50...+90 °C	–25...+90 °C
PVC	Yellow	3 × AWG22	–40...+105 °C	–5...+105 °C
TPE	Yellow	3 × AWG22	–50...+90 °C	–25...+105 °C

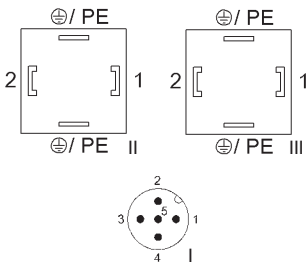
②	Cable length
003	0.3 m
006	0.6 m
010	1 m
020	2 m
050	5 m

Other cable lengths on request!

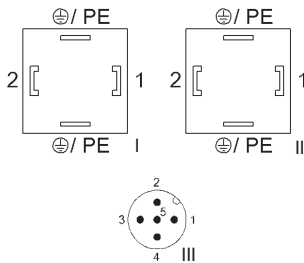


Connection	
Version	
Rated voltage	No LED with LED
Rated current	
Degree of protection	
No protection circuit, no LED	
With suppressor diode, with PNP-LED	
Approval/Conformity	
For drawing see page	

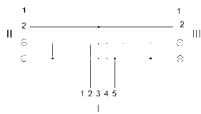
**M12 male/  
DIN A, 18 mm/  
DIN A, 18 mm/  
DIN A, 18 mm**



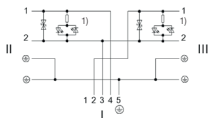
**DIN A, 18 mm/  
DIN A, 18 mm/  
DIN A, 18 mm/  
M12 male**



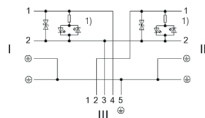
**No protection circuit,  
no LED**



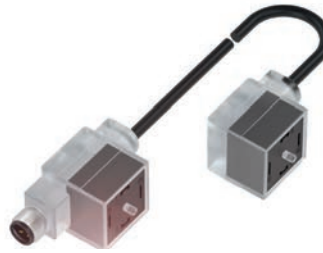
**With suppressor diode,  
with PNP-LED\***



**With suppressor diode,  
with PNP-LED\***



\* <sup>1)</sup> LED yellow

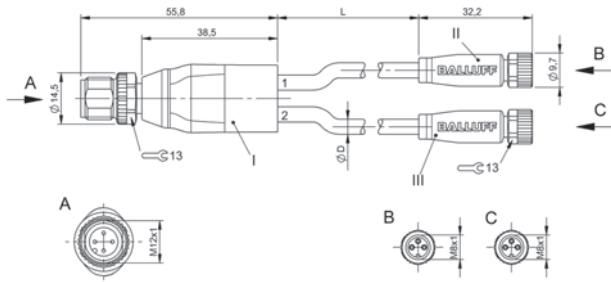


BCC M415-VA04-VA04 ...	BCC VA04-VA04-M415 ...
M12 male, A-coded/ DIN A, 18 mm, 0°/180°, female/ DIN A, 18 mm, 0°/180°, female	DIN A, 18 mm, 0°/180°, female/ DIN A, 18 mm, 0°/180°, female/ M12 male, A-coded
straight/angled/angled	angled/angled/straight
60 V AC/DC	–
30 V AC/DC	30 V AC/DC
4 A	4 A
IP67/IP67/IP67	IP67/IP67/IP67
BCC M415-VA04-VA04-U2005-__ _②	–
BCC M415-VA04-VA04-U2004-__ _②	BCC VA04-VA04-M415-T4075-__ _②
CE, EAC	CE, EAC
2	155

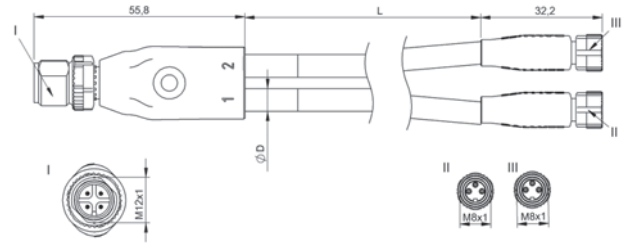
Material	Color	Number of conductors x conductor cross-section	Cable temperature fixed in place	Cable temperature flexed
<b>UNSHIELDED</b>				
PUR	Black	3 x 0.5 mm <sup>2</sup>	–50...–80 °C	–25...+80 °C

②	Cable length
<b>BCC M415-VA04-VA04 ...</b>	
005	0.5 m
010	1 m
<b>BCC VA04-VA04-M415 ...</b>	
002	0.2 m
004	0.4 m

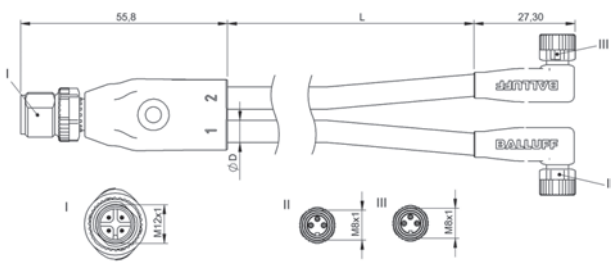
Other cable lengths on request!



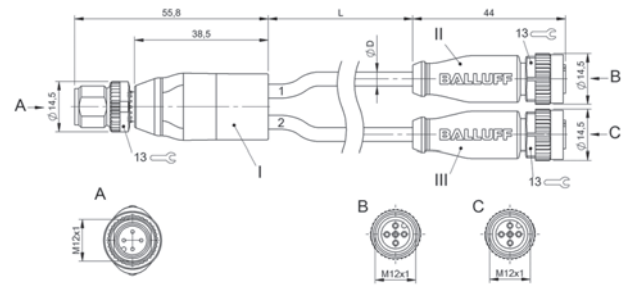
BCC M414-M313-M313-U2026...



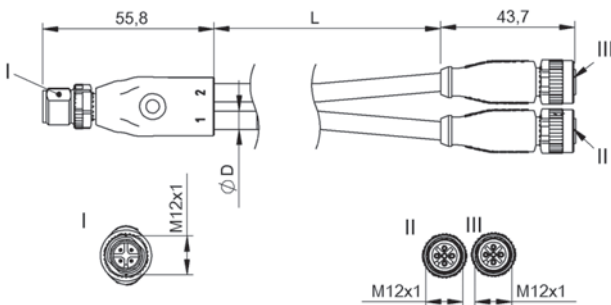
BCC M414-M313-M313-U2012...



BCC M414-M323-M323-U2012...

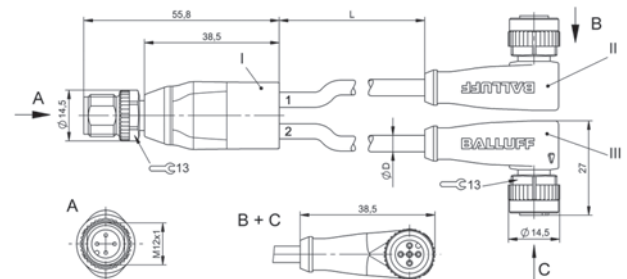


BCC M414-M415-M415-U2028...

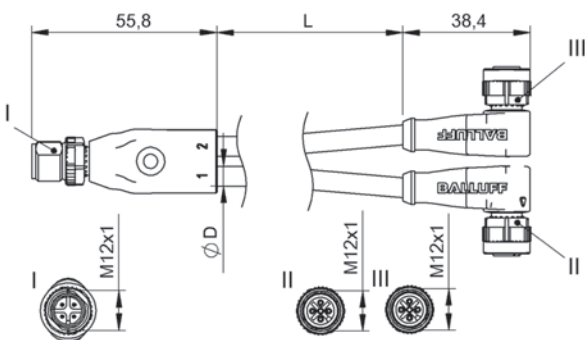


BCC M414-M415-M415-U2010...

BCC M414-M415-M415-U2002...

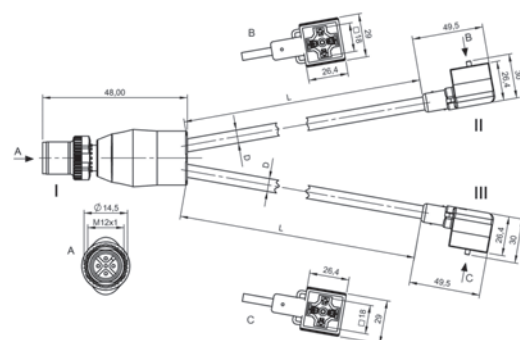


BCC M414-M425-M425-U2028...



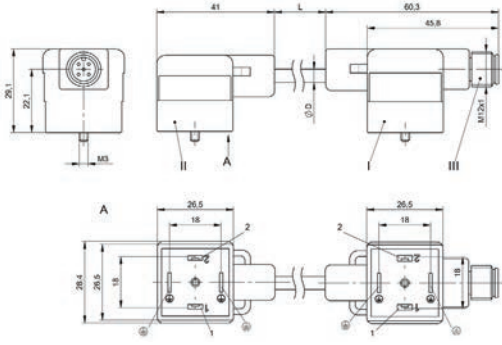
BCC M414-M425-M425-U2010...

BCC M414-M425-M425-U2002...



BCC M415-VA04-VA04-U2004...

BCC M415-VA04-VA04-U2005...



BCC VA04-VA04-M415-T4075-...



Splitters without wires  
ensure secure connection

# TEES



For reliable gathering, connecting and distributing two signals Balluff provides a wide range of tees. Our solutions are distinguished by their small, narrow and compact design and are available in different form factors.

Our wide product offering includes tees with M8, M12 and 7/8" connection, which are appropriate for 3-, 4- and 5-wire cables. Different protective circuits and variants without, with one or with two mounting holes offer you great flexibility.

#### The most important benefits

- Small, narrow and compact
- Extensive product range with various designs
- For reliable, fast connecting
- Robust and industrial grade
- Resistant to shocks and vibration
- Protection type IP67, optional IP68
- High-quality materials
- Bright LEDs
- Flexibly applicable – various wirings, variants without, with one or with two mounting holes



	<b>BCC0AA5</b> BCC A313-A313-A313-T0021-000	
Connection 1	7/8"-16 UN-Female, 3-pole	
Connection 2	7/8"-16 UN-Female, 3-pole	
Connection 3	7/8"-16 UN-Male, 3-pole	
Operating voltage $U_b$	300 VDC / 300 VAC	
Rated current (40 °C)	9.0 A	
Protection degree	IP67	
Ambient temperature	-25...80 °C	
Approval/Conformity	EAC	
Productview	Page 162	



<b>BCC0AA6</b> BCC A314-A314-A314-T0022-000	<b>BCC0AA7</b> BCC A315-A315-A315-T0023-000	<b>BCC0F5C</b> BCC M314-M313-M313-U0056-000
7/8"-16 UN-Female, 4-pole	7/8"-16 UN-Female, 5-pole	M8x1-Male, 4-pole, A-coded
7/8"-16 UN-Female, 4-pole	7/8"-16 UN-Female, 5-pole	M8x1-Female, 3-pole, A-coded
7/8"-16 UN-Male, 4-pole	7/8"-16 UN-Male, 5-pole	M8x1-Female, 3-pole, A-coded
300 VDC / 300 VAC	300 VDC / 300 VAC	60 VDC / 60 VAC
9.0 A	9.0 A	4.0 A
IP67	IP67	IP68
-25...80 °C	-25...80 °C	-25...85 °C
EAC	EAC	EAC
Page 162	Page 162	Page 162

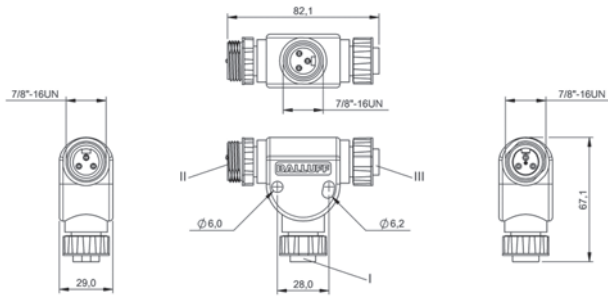




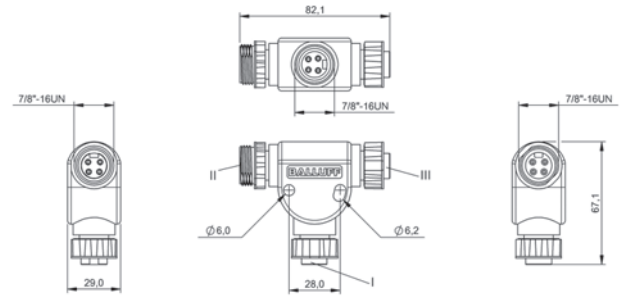
	<b>BCC09JC</b> BCC M415-M313-M313-U0014-000	
Connection 1	M12x1-Male, 4-pole, A-coded	
Connection 2	M8x1-Female, 3-pole, A-coded	
Connection 3	M8x1-Female, 3-pole, A-coded	
Operating voltage $U_b$	60 VDC / 60 VAC	
Rated current (40 °C)	4.0 A	
Protection degree	IP67	
Ambient temperature	-25...80 °C	
Approval/Conformity	EAC	
Productview	Page 162	



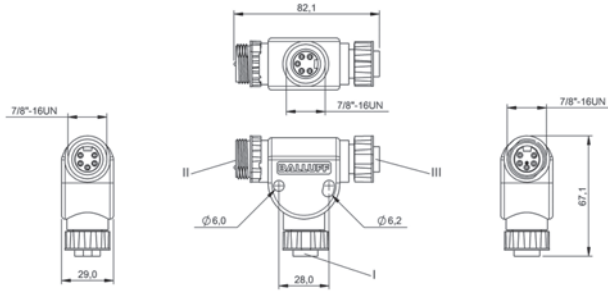
<b>BCC089P</b> BCC M415-M415-M415-U0003-000	<b>BCC08CA</b> BCC M415-M415-M415-U0007-000	<b>BCC09MU</b> BCC M415-M415-M415-U0016-000
M12x1-Male, 5-pole, A-coded	M12x1-Female, 5-pole, A-coded	M12x1-Male, 5-pole, A-coded
M12x1-Female, 4-pole, A-coded	M12x1-Male, 5-pole, A-coded	M12x1-Female, 5-pole, A-coded
M12x1-Female, 4-pole, A-coded	M12x1-Female, 5-pole, A-coded	M12x1-Female, 5-pole, A-coded
125 VDC / 125 VAC	60 VDC / 60 VAC	125 VDC / 125 VAC
4.0 A	4.0 A	4.0 A
IP67	IP67	IP67
-25...80 °C	-25...90 °C	-20...80 °C
cURus, EAC	EAC	cURus, EAC
Page 162	Page 162	Page 162



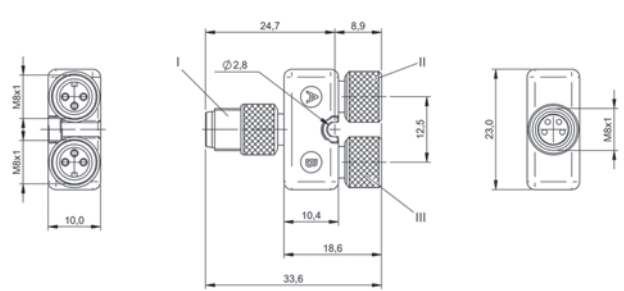
BCC0AA5



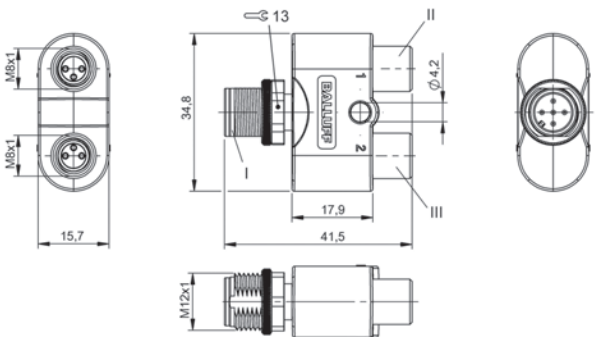
BCC0AA6



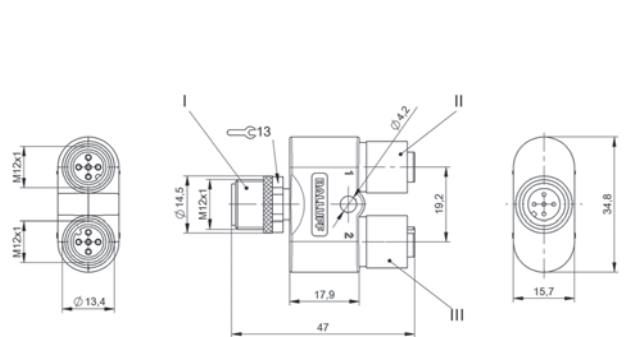
BCC0AA7



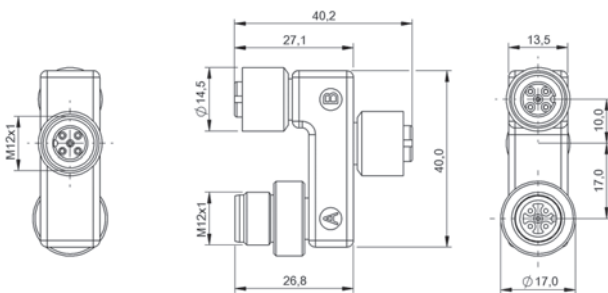
BCC0F5C



BCC09JC



BCC089P, BCC09MU



BCC08CA





The right connector for every industry

# FIELD ATTACHABLES

**DEXYÍ**®



Balluff offers you an extensive product range of field attachables for the secure transmission of signals, data and power. From various designs and housing materials, you can select exactly the product that fits your application.

All plug connectors are extremely robust and industrial grade.

#### The most important benefits

- Large selection for every industry
- Various designs
- Various housing materials
- Secure transmission of signals, data and power
- Robust and industrial grade



	<b>BCC0AT9</b> BCC A333-0000-10-000-61X3A5-000	
Connection	7/8"-16 UN-Female, straight, 3-pole	
Number of connectable contacts	3	
Connection cross-section	0.14...1.5 mm <sup>2</sup>	
Type of wire mounting	Screw terminals	
Cable diameter D	8...10 mm	
Operating voltage U <sub>b</sub>	600 VDC / 600 VAC	
Rated current (40 °C)	9.0 A	
Protection degree	IP67	
Ambient temperature	-25...85 °C	
Approval/Conformity	EAC, cURus	
Productview	Page 210	



<b>BCCOATA</b> BCC A333-0000-10-000-71X3A5-000	<b>BCCOATC</b> BCC A333-0000-20-000-61X3A5-000	<b>BCCOATE</b> BCC A333-0000-20-000-71X3A5-000
7/8"-16 UN-Female, straight, 3-pole	7/8"-16 UN-Male, straight, 3-pole	7/8"-16 UN-Male, straight, 3-pole
3	3	3
0.14...1.5 mm <sup>2</sup>	0.14...1.5 mm <sup>2</sup>	0.14...1.5 mm <sup>2</sup>
Screw terminals	Screw terminals	Screw terminals
10...12 mm	8...10 mm	10...12 mm
600 VDC / 600 VAC	600 VDC / 600 VAC	600 VDC / 600 VAC
9.0 A	9.0 A	9.0 A
IP67	IP67	IP67
-25...85 °C	-25...85 °C	-25...85 °C
EAC, cURus	EAC, cURus	EAC, cURus
Page 210	Page 210	Page 210





	<b>BCC0706</b> BCC A334-0000-10-000-51X4A5-000	
Connection	7/8"-16 UN-Female, straight, 4-pole	
Number of connectable contacts	4	
Connection cross-section	0.14...1.5 mm <sup>2</sup>	
Type of wire mounting	Screw terminals	
Cable diameter D	6...8 mm	
Operating voltage U <sub>b</sub>	600 VDC / 600 VAC	
Rated current (40 °C)	9.0 A	
Protection degree	IP67	
Ambient temperature	-25...85 °C	
Approval/Conformity	EAC, cURus	
Productview	Page 210	



<b>BCC0707</b> BCC A334-0000-10-000-61X4A5-000	<b>BCC0708</b> BCC A334-0000-10-000-71X4A5-000	<b>BCC0709</b> BCC A334-0000-20-000-51X4A5-000
7/8"-16 UN-Female, straight, 4-pole	7/8"-16 UN-Female, straight, 4-pole	7/8"-16 UN-Male, straight, 4-pole
4	4	4
0.14...1.5 mm <sup>2</sup>	0.14...1.5 mm <sup>2</sup>	0.14...1.5 mm <sup>2</sup>
Screw terminals	Screw terminals	Screw terminals
8...10 mm	10...12 mm	6...8 mm
600 VDC / 600 VAC	600 VDC / 600 VAC	600 VDC / 600 VAC
9.0 A	9.0 A	9.0 A
IP67	IP67	IP67
-25...85 °C	-25...85 °C	-25...85 °C
EAC, cURus	EAC, cURus	EAC, cURus
Page 210	Page 210	Page 210

Sensors

RFID

Machine Vision and  
Optical Identification

Human Machine  
Interfaces

Systems

Safety

Industrial Networking

Power Supply

Connectivity

Accessories





	<b>BCC070A</b> BCC A334-0000-20-000-61X4A5-000	
Connection	7/8"-16 UN-Male, straight, 4-pole	
Number of connectable contacts	4	
Connection cross-section	0.14...1.5 mm <sup>2</sup>	
Type of wire mounting	Screw terminals	
Cable diameter D	8...10 mm	
Operating voltage U <sub>b</sub>	600 VDC / 600 VAC	
Rated current (40 °C)	9.0 A	
Protection degree	IP67	
Ambient temperature	-25...85 °C	
Approval/Conformity	EAC, cURus	
Productview	Page 211	



<b>BCC070C</b> BCC A334-0000-20-000-71X4A5-000	<b>BCC070E</b> BCC A335-0000-10-000-51X5A5-000	<b>BCC070F</b> BCC A335-0000-10-000-61X5A5-000
7/8"-16 UN-Male, straight, 4-pole	7/8"-16 UN-Female, straight, 5-pole	7/8"-16 UN-Female, straight, 5-pole
4	5	5
0.14...1.5 mm <sup>2</sup>	0.14...1.5 mm <sup>2</sup>	0.14...1.5 mm <sup>2</sup>
Screw terminals	Screw terminals	Screw terminals
10...12 mm	6...8 mm	8...10 mm
600 VDC / 600 VAC	600 VDC / 600 VAC	600 VDC / 600 VAC
9.0 A	9.0 A	9.0 A
IP67	IP67	IP67
-25...85 °C	-25...85 °C	-25...85 °C
EAC, cURus	EAC, cURus	EAC, cURus
Page 211	Page 211	Page 211



	<b>BCC070H</b> BCC A335-0000-10-000-71X5A5-000	
Connection	7/8"-16 UN-Female, straight, 5-pole	
Number of connectable contacts	5	
Connection cross-section	0.14...1.5 mm <sup>2</sup>	
Type of wire mounting	Screw terminals	
Cable diameter D	10...12 mm	
Operating voltage U <sub>b</sub>	600 VDC / 600 VAC	
Rated current (40 °C)	9.0 A	
Protection degree	IP67	
Ambient temperature	-25...85 °C	
Approval/Conformity	EAC, cURus	
Productview	Page 211	



<b>BCCOATH</b> BCC A335-0000-10-000-81X5A5-000	<b>BCC070J</b> BCC A335-0000-20-000-51X5A5-000	<b>BCC070K</b> BCC A335-0000-20-000-61X5A5-000
7/8"-16 UN-Female, straight, 5-pole	7/8"-16 UN-Male, straight, 5-pole	7/8"-16 UN-Male, straight, 5-pole
5	5	5
0.14...1.5 mm <sup>2</sup>	0.14...1.5 mm <sup>2</sup>	0.14...1.5 mm <sup>2</sup>
Screw terminals	Screw terminals	Screw terminals
12...14 mm	6...8 mm	8...10 mm
600 VDC / 600 VAC	600 VDC / 600 VAC	600 VDC / 600 VAC
9.0 A	9.0 A	9.0 A
IP67	IP67	IP67
-25...85 °C	-25...85 °C	-25...85 °C
EAC, cURus	EAC, cURus	EAC, cURus
Page 211	Page 211	Page 211



	<b>BCC070L</b> BCC A335-0000-20-000-71X5A5-000	
Connection	7/8"-16 UN-Male, straight, 5-pole	
Number of connectable contacts	5	
Connection cross-section	0.14...1.5 mm <sup>2</sup>	
Type of wire mounting	Screw terminals	
Cable diameter D	10...12 mm	
Operating voltage U <sub>b</sub>	600 VDC / 600 VAC	
Rated current (40 °C)	9.0 A	
Protection degree	IP67	
Ambient temperature	-25...85 °C	
Approval/Conformity	EAC, cURus	
Productview	Page 211	



<b>BCCOATF</b> BCC A335-0000-20-000-81X5A5-000	<b>BCCOHLN</b> BCC M333-0000-10-000-13X325-000	<b>BCCOHLU</b> BCC M333-0000-10-000-13X350-000
7/8"-16 UN-Male, straight, 5-pole	M8x1-Female, straight, 3-pole, A-coded	M8x1-Female, straight, 3-pole, A-coded
5	3	3
0.14...1.5 mm <sup>2</sup>	0.08...0.25 mm <sup>2</sup>	0.25...0.5 mm <sup>2</sup>
Screw terminals	Insulation displacement connector technology	Insulation displacement connector technology
12...14 mm	2.5...5.2 mm	2.5...5.2 mm
600 VDC / 600 VAC	60 VDC / 60 VAC	60 VDC / 60 VAC
9.0 A	4.0 A	4.0 A
IP67	IP67	IP67
-25...85 °C	-25...85 °C	-25...85 °C
EAC, cURus	EAC	EAC
Page 211	Page 212	Page 212





	<b>BCC09EU</b> BCC M333-0000-10-000-22X334-000	
Connection	M8x1-Female, straight, 3-pole, A-coded	
Number of connectable contacts	3	
Connection cross-section	0.14...0.38 mm <sup>2</sup>	
Type of wire mounting	Penetration technology	
Cable diameter D	3...5 mm	
Operating voltage U <sub>b</sub>	60 VDC / 60 VAC	
Rated current (40 °C)	4.0 A	
Protection degree	IP67	
Ambient temperature	-25...85 °C	
Approval/Conformity	EAC	
Productview	Page 212	



<b>BCC06Z1</b> BCC M333-0000-10-000-31X350-000	<b>BCC02HC</b> BKS-S111-RT13	<b>BCC0HLP</b> BCC M333-0000-20-000-13X325-000
M8x1-Female, straight, 3-pole, A-coded	M8x1-Female, straight, 3-pole, A-coded	M8x1-Male, straight, 3-pole, A-coded
3	3	3
0.14...0.5 mm <sup>2</sup>	0.14...0.34 mm <sup>2</sup>	0.08...0.25 mm <sup>2</sup>
Screw terminals	Insulation displacement connector technology	Insulation displacement connector technology
3.5...5 mm	2.5...5.1 mm	2.5...5.2 mm
60 VDC / 60 VAC	32 VDC / 32 VAC	60 VDC / 60 VAC
4.0 A	4.0 A	4.0 A
IP67	IP67	IP67
-25...85 °C	-40...85 °C	-25...85 °C
EAC, cULus	cURus, EAC	EAC
Page 212	Page 212	Page 212



	<b>BCCOHLW</b> BCC M333-0000-20-000-13X350-000	
Connection	M8x1-Male, straight, 3-pole, A-coded	
Number of connectable contacts	3	
Connection cross-section	0.25...0.5 mm <sup>2</sup>	
Type of wire mounting	Insulation displacement connector technology	
Cable diameter D	2.5...5.2 mm	
Operating voltage U <sub>b</sub>	60 VDC / 60 VAC	
Rated current (40 °C)	4.0 A	
Protection degree	IP67	
Ambient temperature	-25...85 °C	
Approval/Conformity	EAC	
Productview	Page 212	



<b>BCC0E7N</b> BCC M333-0000-20-000-31X350-000-C027	<b>BCC02HE</b> BKS-S113-RT13	<b>BCC0HLR</b> BCC M334-0000-10-000-13X425-000
M8x1-Male, straight, 3-pole, A-coded	M8x1-Male, straight, 3-pole, A-coded	M8x1-Female, straight, 4-pole, A-coded
3	3	4
0.14...0.5 mm <sup>2</sup>	0.14...0.34 mm <sup>2</sup>	0.08...0.25 mm <sup>2</sup>
Screw terminals	Insulation displacement connector technology	Insulation displacement connector technology
2.2...3.5 mm	2.5...5.1 mm	2.5...5.2 mm
60 VDC / 60 VAC	32 VDC / 32 VAC	30 VDC / 30 VAC
4.0 A	4.0 A	4.0 A
IP67	IP67	IP67
-25...85 °C	-40...85 °C	-25...85 °C
EAC	cURus, EAC	EAC
Page 212	Page 213	Page 213



	<b>BCCOHL</b> BCC M334-0000-10-000-13X450-000	
Connection	M8x1-Female, straight, 4-pole, A-coded	
Number of connectable contacts	4	
Connection cross-section	0.25...0.5 mm <sup>2</sup>	
Type of wire mounting	Insulation displacement connector technology	
Cable diameter D	2.5...5.2 mm	
Operating voltage U <sub>b</sub>	30 VDC / 30 VAC	
Rated current (40 °C)	4.0 A	
Protection degree	IP67	
Ambient temperature	-25...85 °C	
Approval/Conformity	EAC	
Productview	Page 213	



<b>BCC06Z5</b> BCC M334-0000-10-000-31X450-000	<b>BCC02HF</b> BKS-S216-RT14	<b>BCCOHLT</b> BCC M334-0000-20-000-13X425-000
M8x1-Female, straight, 4-pole, A-coded	M8x1-Female, straight, 4-pole, A-coded	M8x1-Male, straight, 4-pole, A-coded
4	4	4
0.14...0.5 mm <sup>2</sup>	0.14...0.34 mm <sup>2</sup>	0.08...0.25 mm <sup>2</sup>
Screw terminals	Insulation displacement connector technology	Insulation displacement connector technology
3.5...5 mm	2.5...5.1 mm	2.5...5.2 mm
60 VDC / 60 VAC	32 VDC / 32 VAC	30 VDC / 30 VAC
4.0 A	4.0 A	4.0 A
IP67	IP67	IP67
-25...85 °C	-40...85 °C	-25...85 °C
EAC, cULus	cURus, EAC	EAC
Page 213	Page 212	Page 213



	<b>BCC0HLZ</b> BCC M334-0000-20-000-13X450-000	
Connection	M8x1-Male, straight, 4-pole, A-coded	
Number of connectable contacts	4	
Connection cross-section	0.25...0.5 mm <sup>2</sup>	
Type of wire mounting	Insulation displacement connector technology	
Cable diameter D	2.5...5.2 mm	
Operating voltage U <sub>b</sub>	30 VDC / 30 VAC	
Rated current (40 °C)	4.0 A	
Protection degree	IP67	
Ambient temperature	-25...85 °C	
Approval/Conformity	EAC	
Productview	Page 213	



<b>BCC06Z7</b> BCC M334-0000-20-000-31X450-000	<b>BCC02HH</b> BKS-S218-RT14	<b>BCC06M4</b> BCC M434-0000-2A-000-41X475-000
M8x1-Male, straight, 4-pole, A-coded	M8x1-Male, straight, 4-pole, A-coded	M12x1-Male, straight, 4-pole, A-coded
4	4	4
0.14...0.5 mm <sup>2</sup>	0.14...0.34 mm <sup>2</sup>	0.14...0.75 mm <sup>2</sup>
Screw terminals	Insulation displacement connector technology	Screw terminals
3.5...5 mm	2.5...5.1 mm	4...6 mm
60 VDC / 60 VAC	32 VDC / 32 VAC	250 VDC / 250 VAC
4.0 A	4.0 A	4.0 A
IP67	IP67	IP67
-25...85 °C	-40...85 °C	-25...85 °C
EAC, cULus	cURus, EAC	cURus, EAC
Page 213	Page 213	Page 213





	<b>BCC08C0</b> BCC M434-0000-2A-000-43X434-000	
Connection	M12x1-Male, straight, 4-pole, A-coded	
Number of connectable contacts	4	
Connection cross-section	0.14...0.34 mm <sup>2</sup>	
Type of wire mounting	Insulation displacement connector technology	
Cable diameter D	3.5...6 mm	
Operating voltage U <sub>b</sub>	125 VDC / 125 VAC	
Rated current (40 °C)	4.0 A	
Protection degree	IP67	
Ambient temperature	-25...80 °C	
Approval/Conformity	EAC	
Productview	Page 214	



<b>BCC0F9M</b> BCC M434-0000-2A-000-45X450-000	<b>BCC06F7</b> BCC M434-0000-2A-000-51X475-000	<b>BCC06Y5</b> BCC M434-0000-2A-000-55X450-000
M12x1-Male, straight, 4-pole, A-coded	M12x1-Male, straight, 4-pole, A-coded	M12x1-Male, straight, 4-pole, A-coded
4	4	4
0.14...0.5 mm <sup>2</sup>	0.14...0.75 mm <sup>2</sup>	0.14...0.5 mm <sup>2</sup>
Spring clamp terminals	Screw terminals	Spring clamp terminals
4...6 mm	6...8 mm	6...8 mm
250 VDC / 250 VAC	250 VDC / 250 VAC	250 VDC / 250 VAC
4.0 A	4.0 A	4.0 A
IP67	IP67	IP67
-25...85 °C	-25...85 °C	-25...85 °C
EAC	cURus, EAC	EAC
Page 214	Page 214	Page 214



	<b>BCC0869</b> BCC M474-0000-2A-000-01X475-000	
Connection	M12x1-Male, straight, 4-pole, A-coded	
Number of connectable contacts	4	
Connection cross-section	0.14...0.75 mm <sup>2</sup>	
Type of wire mounting	Screw terminals	
Cable diameter D	5...8 mm	
Operating voltage U <sub>b</sub>	250 VDC / 250 VAC	
Rated current (40 °C)	4.0 A	
Protection degree	IP67	
Ambient temperature	-25...85 °C	
Approval/Conformity	EAC	
Productview	Page 214	



<b>BCC02H9</b> BKS-S109-RT14	<b>BCC06ZC</b> BCC M444-0000-2A-000-41X475-000	<b>BCC06ZE</b> BCC M444-0000-2A-000-51X475-000
M12x1-Male, straight, 4-pole, A-coded	M12x1-Male, angled, 4-pole, A-coded	M12x1-Male, angled, 4-pole, A-coded
4	4	4
0.14...0.34 mm <sup>2</sup>	0.14...0.75 mm <sup>2</sup>	0.14...0.75 mm <sup>2</sup>
Insulation displacement connector technology	Screw terminals	Screw terminals
2.9...5.1 mm	4...6 mm	6...8 mm
32 VDC / 32 VAC	250 VDC / 250 VAC	250 VDC / 250 VAC
4.0 A	4.0 A	4.0 A
IP67	IP67	IP67
-40...85 °C	-25...85 °C	-25...85 °C
cURus, EAC	cURus, EAC	cURus, EAC
Page 214	Page 214	Page 214



	<b>BCC02H7</b> BKS-S 77-RT04	
Connection	M12x1-Male, angled, 4-pole, A-coded	
Number of connectable contacts	4	
Connection cross-section	0.25...0.5 mm <sup>2</sup>	
Type of wire mounting	Insulation displacement connector technology	
Cable diameter D	4...5.1 mm	
Operating voltage U <sub>b</sub>	32 VDC / 32 VAC	
Rated current (40 °C)	4.0 A	
Protection degree	IP67	
Ambient temperature	-40...85 °C	
Approval/Conformity	cURus, EAC	
Productview	Page 214	



<b>BCC06Z9</b> BCC M435-0000-1A-000-41X475-000	<b>BCC06ZF</b> BCC M435-0000-1A-000-41X575-000	<b>BCC06ZY</b> BCC M435-0000-1A-000-43X434-000
M12x1-Female, straight, 5-pole, A-coded	M12x1-Female, straight, 5-pole, A-coded	M12x1-Female, straight, 5-pole, A-coded
4	5	4
0.14...0.75 mm <sup>2</sup>	0.14...0.75 mm <sup>2</sup>	0.14...0.34 mm <sup>2</sup>
Screw terminals	Screw terminals	Insulation displacement connector technology
4...6 mm	4...6 mm	3.5...6 mm
250 VDC / 250 VAC	125 VDC / 125 VAC	250 VDC / 250 VAC
4.0 A	4.0 A	4.0 A
IP67	IP67	IP67
-25...85 °C	-25...85 °C	-40...80 °C
cURus, EAC	cURus, EAC	EAC
Page 214	Page 214	Page 215



	<b>BCCOF9N</b> BCC M435-0000-1A-000-45X450-000	
Connection	M12x1-Female, straight, 5-pole, A-coded	
Number of connectable contacts	4	
Connection cross-section	0.14...0.5 mm <sup>2</sup>	
Type of wire mounting	Spring clamp terminals	
Cable diameter D	4...6 mm	
Operating voltage U <sub>b</sub>	250 VDC / 250 VAC	
Rated current (40 °C)	4.0 A	
Protection degree	IP67	
Ambient temperature	-25...85 °C	
Approval/Conformity	EAC	
Productview	Page 214	



<b>BCC06F6</b> BCC M435-0000-1A-000-51X475-000	<b>BCC06W9</b> BCC M435-0000-1A-000-51X575-000	<b>BCC06Y6</b> BCC M435-0000-1A-000-55X450-000
M12x1-Female, straight, 5-pole, A-coded	M12x1-Female, straight, 5-pole, A-coded	M12x1-Female, straight, 5-pole, A-coded
4	5	4
0.14...0.75 mm <sup>2</sup>	0.14...0.75 mm <sup>2</sup>	0.14...0.5 mm <sup>2</sup>
Screw terminals	Screw terminals	Spring clamp terminals
6...8 mm	6...8 mm	6...8 mm
250 VDC / 250 VAC	125 VDC / 125 VAC	250 VDC / 250 VAC
4.0 A	4.0 A	4.0 A
IP67	IP67	IP67
-25...85 °C	-25...85 °C	-25...85 °C
cURus, EAC	cURus, EAC	EAC
Page 215	Page 215	Page 215

Sensors

RFID

Machine Vision and  
Optical Identification

Human Machine  
Interfaces

Systems

Safety

Industrial Networking

Power Supply

Connectivity

Accessories







	<b>BCC09JP</b> BCC M435-0000-1A-000-A1X575-000	
Connection	M12x1-Female, straight, 5-pole, A-coded	
Number of connectable contacts	5	
Connection cross-section	0.14...0.75 mm <sup>2</sup>	
Type of wire mounting	Screw terminals	
Cable diameter D	2.1...3 mm	
Operating voltage U <sub>b</sub>	125 VDC / 125 VAC	
Rated current (40 °C)	4.0 A	
Protection degree	IP67	
Ambient temperature	-25...85 °C	
Approval/Conformity	cURus, EAC	
Productview	Page 215	



<b>BCC06ZM</b> BCC M475-0000-1A-000-01X475-000	<b>BCC06ZN</b> BCC M475-0000-1A-000-01X575-000	<b>BCC02H8</b> BKS-S107-RT14
M12x1-Female, straight, 5-pole, A-coded	M12x1-Female, straight, 5-pole, A-coded	M12x1-Female, straight, 5-pole, A-coded
4	5	4
0.14...0.75 mm <sup>2</sup>	0.14...0.75 mm <sup>2</sup>	0.14...0.34 mm <sup>2</sup>
Screw terminals	Screw terminals	Insulation displacement connector technology
5...8 mm	5...8 mm	2.9...5.1 mm
250 VDC / 250 VAC	125 VDC / 125 VAC	32 VDC / 32 VAC
4.0 A	4.0 A	4.0 A
IP67	IP67	IP67
-25...85 °C	-25...85 °C	-40...85 °C
EAC	cURus, EAC	cURus, EAC
Page 215	Page 215	Page 215



	<b>BCC06YA</b> BCC M435-0000-2A-000-41X575-000	
Connection	M12x1-Male, straight, 5-pole, A-coded	
Number of connectable contacts	5	
Connection cross-section	0.14...0.75 mm <sup>2</sup>	
Type of wire mounting	Screw terminals	
Cable diameter D	4...6 mm	
Operating voltage U <sub>b</sub>	125 VDC / 125 VAC	
Rated current (40 °C)	4.0 A	
Protection degree	IP67	
Ambient temperature	-25...85 °C	
Approval/Conformity	cURus, EAC	
Productview	Page 215	



<b>BCC06EY</b> BCC M435-0000-2A-000-51X575-000	<b>BCC09JW</b> BCC M435-0000-2A-000-A1X575-000	<b>BCC086A</b> BCC M475-0000-2A-000-01X575-000
M12x1-Male, straight, 5-pole, A-coded	M12x1-Male, straight, 5-pole, A-coded	M12x1-Male, straight, 5-pole, A-coded
5	5	5
0.14...0.75 mm <sup>2</sup>	0.14...0.75 mm <sup>2</sup>	0.14...0.75 mm <sup>2</sup>
Screw terminals	Screw terminals	Screw terminals
6...8 mm	2.1...3 mm	5...8 mm
125 VDC / 125 VAC	125 VDC / 125 VAC	250 VDC / 250 VAC
4.0 A	4.0 A	4.0 A
IP67	IP67	IP67
-25...85 °C	-25...85 °C	-25...85 °C
cURus, EAC	cURus, EAC	cURus, EAC
Page 215	Page 215	Page 216



	<b>BCC06ZA</b> BCC M445-0000-1A-000-41X475-000	
Connection	M12x1-Female, angled, 5-pole, A-coded	
Number of connectable contacts	4	
Connection cross-section	0.14...0.75 mm <sup>2</sup>	
Type of wire mounting	Screw terminals	
Cable diameter D	4...6 mm	
Operating voltage U <sub>b</sub>	250 VDC / 250 VAC	
Rated current (40 °C)	4.0 A	
Protection degree	IP67	
Ambient temperature	-40...85 °C	
Approval/Conformity	EAC	
Productview	Page 216	



<b>BCC06ZH</b> BCC M445-0000-1A-000-41X575-000	<b>BCC06Y8</b> BCC M445-0000-1A-000-51X475-000	<b>BCC06ZJ</b> BCC M445-0000-1A-000-51X575-000
M12x1-Female, angled, 5-pole, A-coded	M12x1-Female, angled, 5-pole, A-coded	M12x1-Female, angled, 5-pole, A-coded
5	4	5
0.14...0.75 mm <sup>2</sup>	0.14...0.75 mm <sup>2</sup>	0.14...0.75 mm <sup>2</sup>
Screw terminals	Screw terminals	Screw terminals
4...6 mm	6...8 mm	6...8 mm
125 VDC / 125 VAC	250 VDC / 250 VAC	125 VDC / 125 VAC
4.0 A	4.0 A	4.0 A
IP67	IP67	IP67
-40...85 °C	-40...85 °C	-40...85 °C
cURus, EAC	cURus, EAC	cURus, EAC
Page 216	Page 216	Page 216



	<b>BCC02H6</b> BKS-S 76-RT04	
Connection	M12x1-Female, angled, 5-pole, A-coded	
Number of connectable contacts	4	
Connection cross-section	0.25...0.5 mm <sup>2</sup>	
Type of wire mounting	Insulation displacement connector technology	
Cable diameter D	4...5.1 mm	
Operating voltage U <sub>b</sub>	32 VDC / 32 VAC	
Rated current (40 °C)	4.0 A	
Protection degree	IP67	
Ambient temperature	-40...85 °C	
Approval/Conformity	cURus, EAC	
Productview	Page 216	



<b>BCC06ZK</b> BCC M445-0000-2A-000-41X575-000	<b>BCC06ZL</b> BCC M445-0000-2A-000-51X575-000	<b>BCC0A03</b> BCC M438-0000-1A-000-51X850-000
M12x1-Male, angled, 5-pole, A-coded	M12x1-Male, angled, 5-pole, A-coded	M12x1-Female, straight, 8-pole, A-coded
5	5	8
0.14...0.75 mm <sup>2</sup>	0.14...0.75 mm <sup>2</sup>	0.14...0.5 mm <sup>2</sup>
Screw terminals	Screw terminals	Screw terminals
4...6 mm	6...8 mm	6...8 mm
125 VDC / 125 VAC	125 VDC / 125 VAC	60 VDC / 60 VAC
4.0 A	4.0 A	2.0 A
IP67	IP67	IP67
-40...85 °C	-40...85 °C	-25...85 °C
cURus, EAC	cURus, EAC	cURus, EAC
Page 216	Page 216	Page 217





	<b>BCC04MC</b> BCC M478-0000-1A-000-43X834-000	
Connection	M12x1-Female, straight, 8-pole, A-coded	
Number of connectable contacts	8	
Connection cross-section	0.14...0.34 mm <sup>2</sup>	
Type of wire mounting	Insulation displacement connector technology	
Cable diameter D	4...8 mm	
Operating voltage U <sub>b</sub>	30 VDC / 30 VAC	
Rated current (40 °C)	1.75 A	
Protection degree	IP67	
Ambient temperature	-25...85 °C	
Approval/Conformity	EAC	
Productview	Page 217	



<b>BCC0A04</b> BCC M438-0000-2A-000-51X850-000	<b>BCC0HAH</b> BCC M478-0000-2A-000-41X850-000	<b>BCC04ME</b> BCC M488-0000-1A-000-43X834-000
M12x1-Male, straight, 8-pole, A-coded	M12x1-Male, straight, 8-pole, A-coded	M12x1-Female, angled, 8-pole, A-coded
8	8	8
0.14...0.5 mm <sup>2</sup>	0.14...0.5 mm <sup>2</sup>	0.14...0.34 mm <sup>2</sup>
Screw terminals	Screw terminals	Insulation displacement connector technology
6...8 mm	4...6 mm	4...8 mm
60 VDC / 60 VAC	30 VDC / 30 VAC	30 VDC / 30 VAC
2.0 A	2.0 A	1.75 A
IP67	IP67	IP67
-25...85 °C	-25...85 °C	-25...85 °C
cURus, EAC	EAC	EAC
Page 217	Page 217	Page 217



	<b>BCC0KR4</b> BCC M488-0000-2A-000-01X850-000	
Connection	M12x1-Male, angled, 8-pole, A-coded	
Number of connectable contacts	8	
Connection cross-section	0.14...0.5 mm <sup>2</sup>	
Type of wire mounting	Screw terminals	
Cable diameter D	5...8 mm	
Operating voltage U <sub>b</sub>	30 VDC / 30 VAC	
Rated current (40 °C)	2.0 A	
Protection degree	IP67	
Ambient temperature	-40...85 °C	
Approval/Conformity	EAC	
Productview	Page 217	



<b>BCC0A05</b> BCC M43C-0000-1A-000-54XC25-000	<b>BCC0A06</b> BCC M43C-0000-2A-000-54XC25-000	<b>BCC0715</b> BCC M475-0000-1B-000-01X575-000
M12x1-Female, straight, 12-pole, A-coded	M12x1-Male, straight, 12-pole, A-coded	M12x1-Female, straight, 5-pole, B-coded
12	12	5
0.14...0.25 mm <sup>2</sup>	0.14...0.25 mm <sup>2</sup>	0.14...0.75 mm <sup>2</sup>
Solder connections	Solder connections	Screw terminals
6...8 mm	6...8 mm	5...8 mm
30 VDC / 30 VAC	30 VDC / 30 VAC	250 VDC / 250 VAC
1.0 A	1.0 A	4.0 A
IP67	IP67	IP67
-25...85 °C	-25...85 °C	-25...85 °C
cURus, EAC	cURus, EAC	cURus, EAC
Page 217	Page 217	Page 218



	<b>BCC0714</b> BCC M475-0000-2B-000-01X575-000	
Connection	M12x1-Male, straight, 5-pole, B-coded	
Number of connectable contacts	5	
Connection cross-section	0.14...0.75 mm <sup>2</sup>	
Type of wire mounting	Screw terminals	
Cable diameter D	5...8 mm	
Operating voltage U <sub>b</sub>	250 VDC / 250 VAC	
Rated current (40 °C)	4.0 A	
Protection degree	IP67	
Ambient temperature	-25...85 °C	
Approval/Conformity	cURus, EAC	
Productview	Page 218	



<b>BCC0717</b> BCC M485-0000-1B-000-01X575-000	<b>BCC0716</b> BCC M485-0000-2B-000-01X575-000	<b>BCC03Y1</b> BCC M474-0000-1D-000-51X475-000
M12x1-Female, angled, 5-pole, B-coded	M12x1-Male, angled, 5-pole, B-coded	M12x1-Female, straight, 4-pole, D-coded
5	5	4
0.14...0.75 mm <sup>2</sup>	0.14...0.75 mm <sup>2</sup>	0.14...0.75 mm <sup>2</sup>
Screw terminals	Screw terminals	Screw terminals
5...8 mm	5...8 mm	5...8 mm
250 VDC / 250 VAC	250 VDC / 250 VAC	250 VDC / 250 VAC
4.0 A	4.0 A	4.0 A
IP67	IP67	IP67
-25...85 °C	-25...85 °C	-25...85 °C
cURus, EAC	cURus, EAC	cURus, EAC
Page 218	Page 218	Page 218



	<b>BCC03WZ</b> BCC M474-0000-2D-000-51X475-000	
Connection	M12x1-Male, straight, 4-pole, D-coded	
Number of connectable contacts	4	
Connection cross-section	0.14...0.75 mm <sup>2</sup>	
Type of wire mounting	Screw terminals	
Cable diameter D	5...8 mm	
Operating voltage U <sub>b</sub>	250 VDC / 250 VAC	
Rated current (40 °C)	4.0 A	
Protection degree	IP67	
Ambient temperature	-25...85 °C	
Approval/Conformity	cURus, EAC	
Productview	Page 218	



<b>BCC03Y2</b> BCC M484-0000-1D-000-51X475-000	<b>BCC03Y0</b> BCC M484-0000-2D-000-51X475-000	<b>BCCOHTL</b> BCC M478-0000-2X-000-E3X8T2-000
M12x1-Female, angled, 4-pole, D-coded	M12x1-Male, angled, 4-pole, D-coded	M12x1-Male, straight, 8-pole, X-coded
4	4	8
0.14...0.75 mm <sup>2</sup>	0.14...0.75 mm <sup>2</sup>	0.14...0.34 mm <sup>2</sup>
Screw terminals	Screw terminals	Insulation displacement connector technology
5...8 mm	5...8 mm	5.5...9 mm
250 VDC / 250 VAC	250 VDC / 250 VAC	60 VDC / 50 VAC
4.0 A	4.0 A	0.5 A
IP67	IP67	IP67
-25...85 °C	-25...85 °C	-40...85 °C
cURus, EAC	cURus, EAC	cULus, EAC
Page 218	Page 218	Page 218





	<b>BCC00TT</b> BKS-S 32M-00	
Connection	M16x0.75-Female, straight, 8-pole	
Number of connectable contacts	8	
Connection cross-section	0.14...0.75 mm <sup>2</sup>	
Type of wire mounting	Solder connections	
Cable diameter D	6...8 mm	
Operating voltage U <sub>b</sub>	60 VDC / 60 VAC	
Rated current (40 °C)	5.0 A	
Protection degree	IP67	
Ambient temperature	-40...95 °C	
Approval/Conformity	EAC	
Productview	Page 219	



<b>BCC00UP</b> BKS-S 33M-00	<b>BCC06FH</b> BCC E834-0000-20-000-53X4T2-000	
M16x0.75-Female, angled, 8-pole	RJ45-Male, straight, 4-pole	
8	4	
0.14...0.75 mm <sup>2</sup>	0.2...0.34 mm <sup>2</sup>	
Solder connections	Insulation displacement connector technology	
6...8 mm	6.1...6.9 mm	
60 VDC / 60 VAC	125 VDC / 125 VAC	
5.0 A	1.0 A	
IP67	IP20	
-40...95 °C	-40...70 °C	
EAC	cURus, EAC	
Page 219	Page 219	

Sensors

RFID

Machine Vision and  
Optical Identification

Human Machine  
Interfaces

Systems

Safety

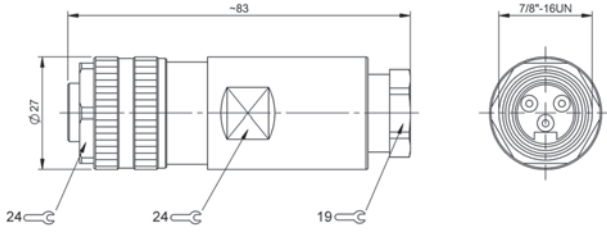
Industrial Networking

Power Supply

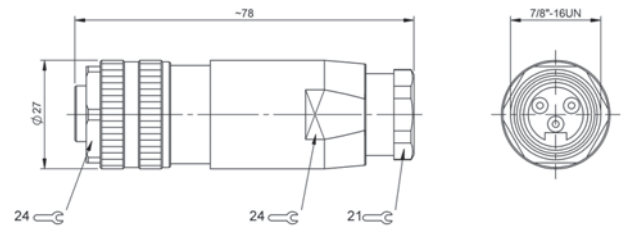
Connectivity

Accessories

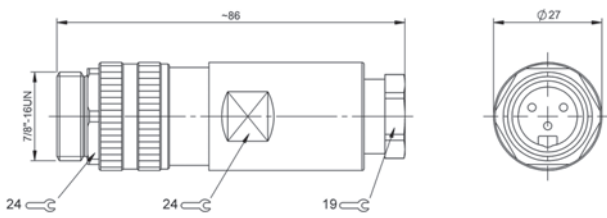




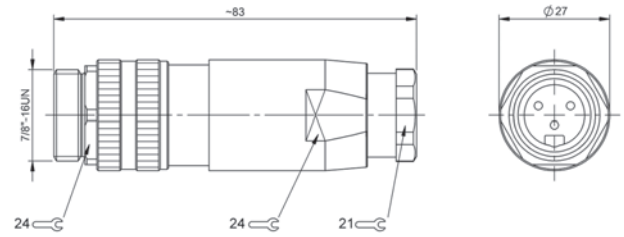
BCC0AT9



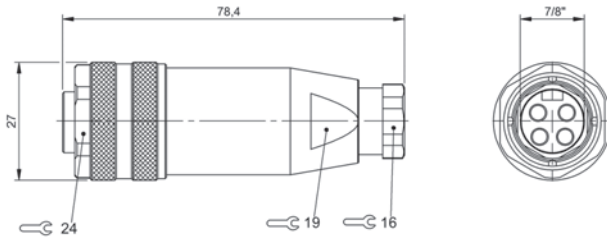
BCC0ATA



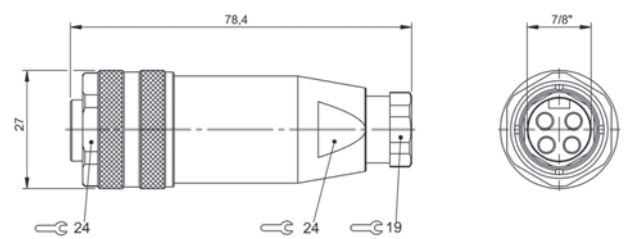
BCC0ATC



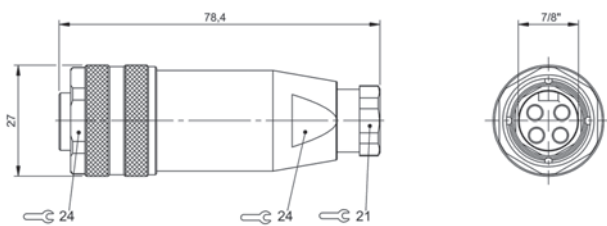
BCC0ATE



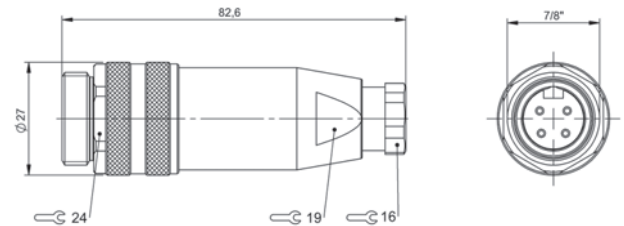
BCC0706



BCC0707

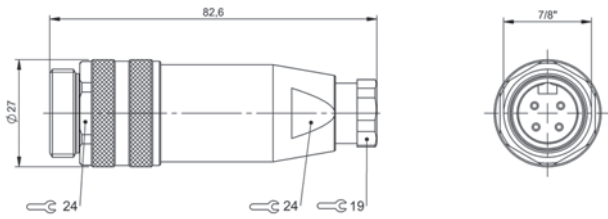


BCC0708

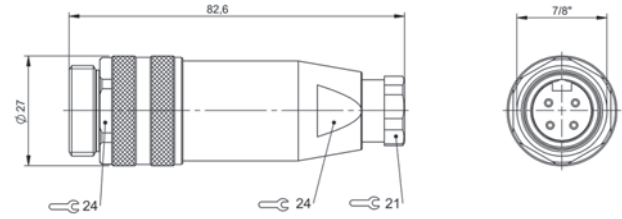


BCC0709

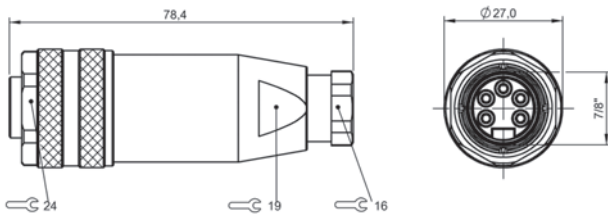




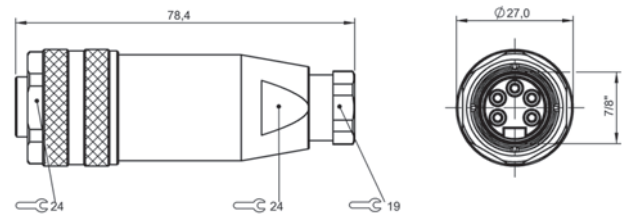
BCC070A



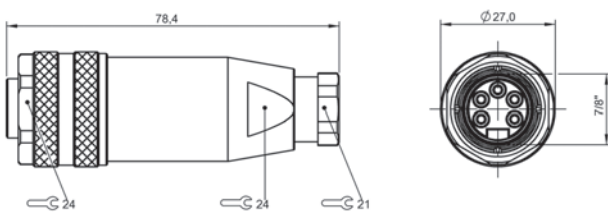
BCC070C



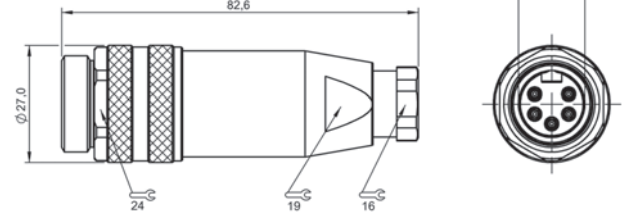
BCC070E



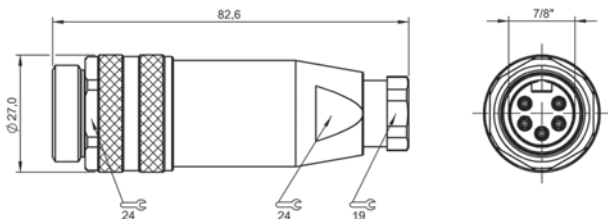
BCC070F



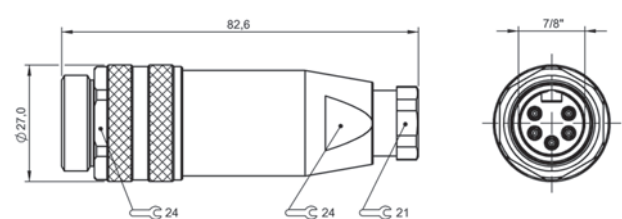
BCC070H, BCC0ATH



BCC070J



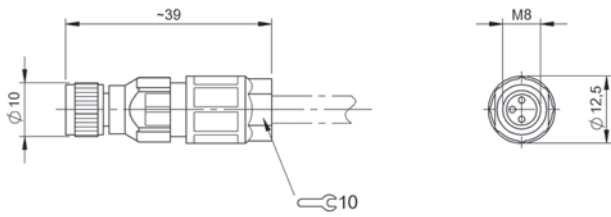
BCC070K



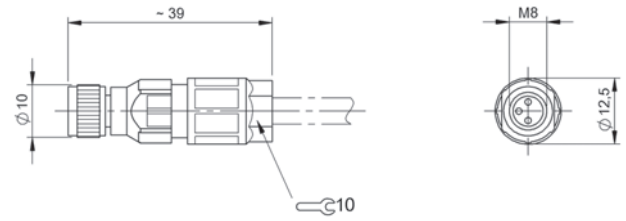
BCC070L, BCC0ATF



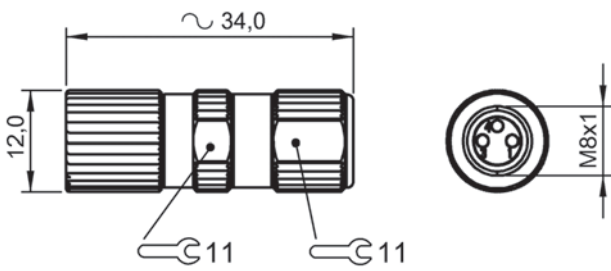
Do you need more details? Our Product Finder at [www.balluff.com](http://www.balluff.com) provides you with product-specific information, including technical drawings, data sheets, user guides and more for each individual product. All items are available for download.



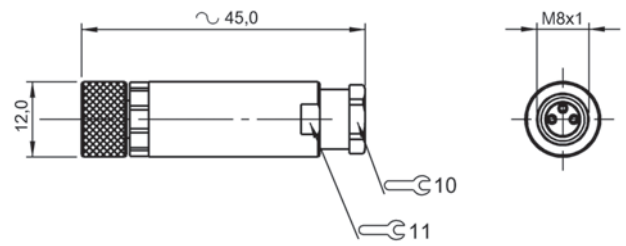
BCC0HLN



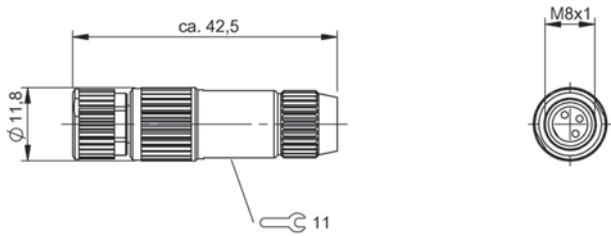
BCC0HLU



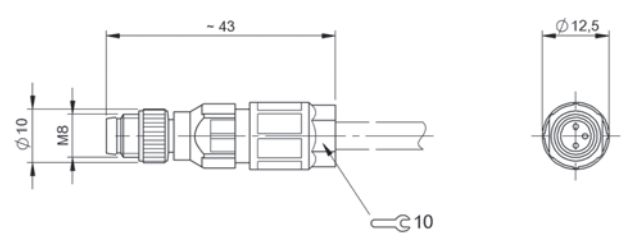
BCC09EU



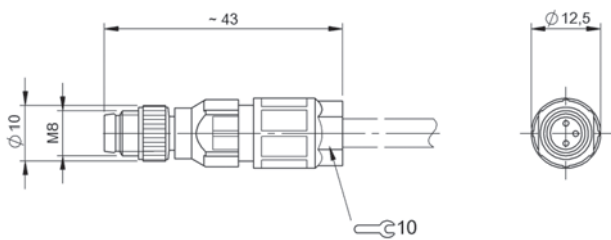
BCC06Z1



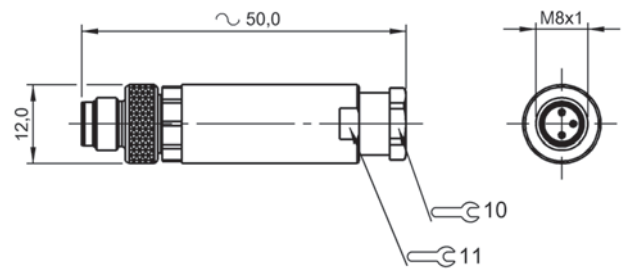
BCC02HC, BCC02HF



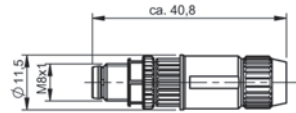
BCC0HLP



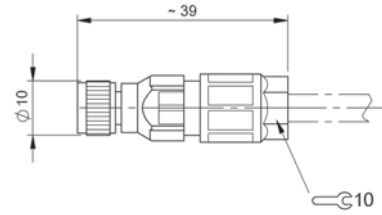
BCC0HLW



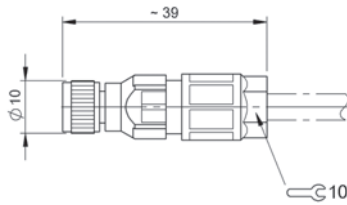
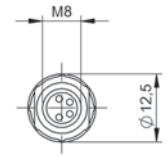
BCC0E7N



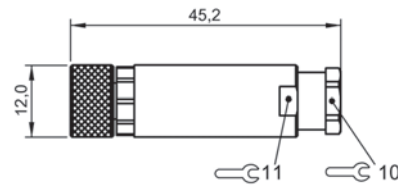
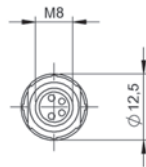
BCC02HE, BCC02HH



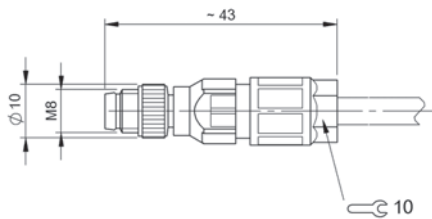
BCC0HLR



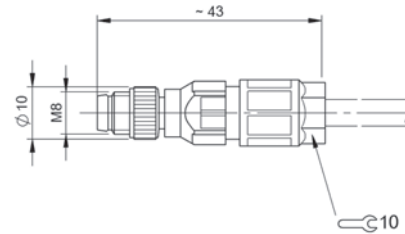
BCC0HLY



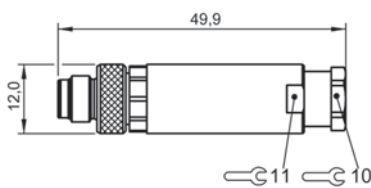
BCC06Z5



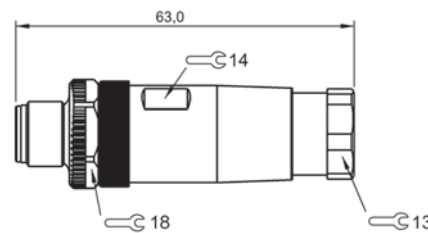
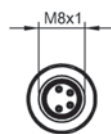
BCC0HLT



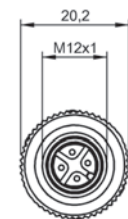
BCC0HLZ

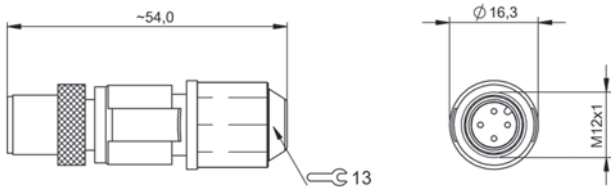


BCC06Z7

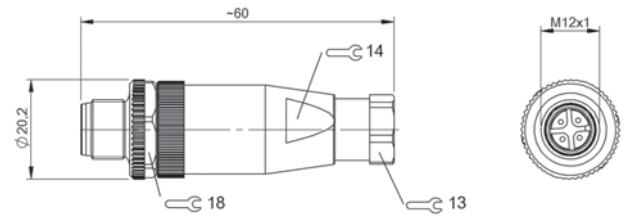


BCC06M4

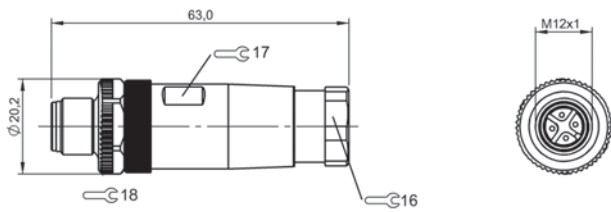




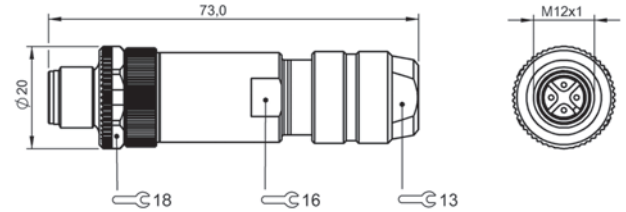
BCC08C0



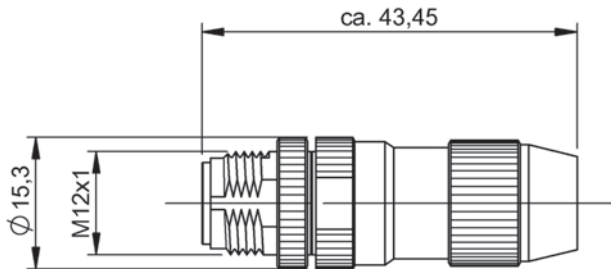
BCC0F9M



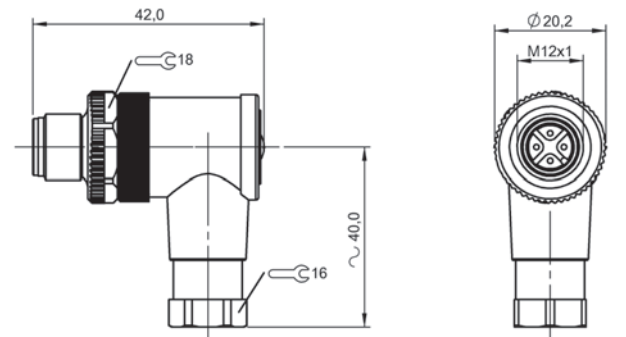
BCC06F7, BCC06Y5



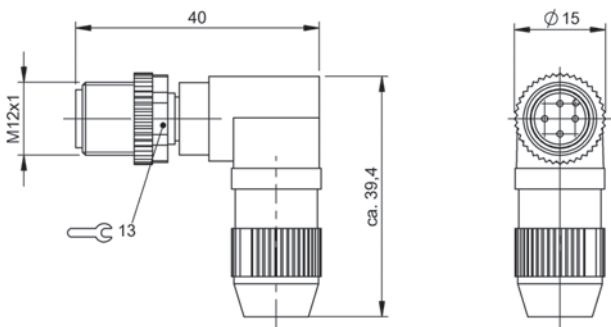
BCC0869



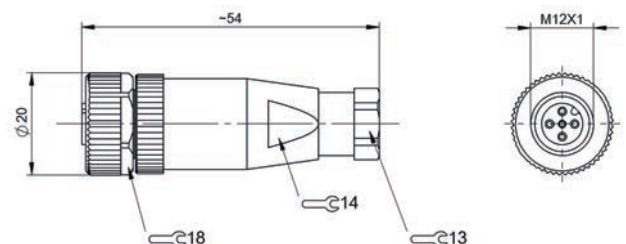
BCC02H9



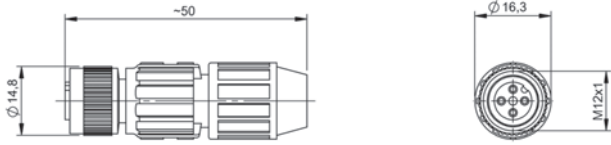
BCC06ZC, BCC06ZE



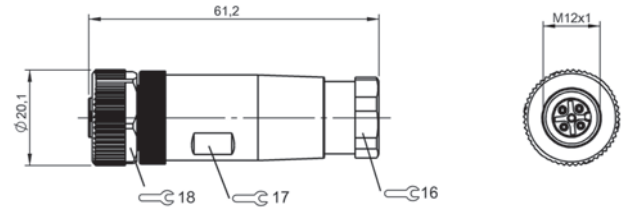
BCC02H7



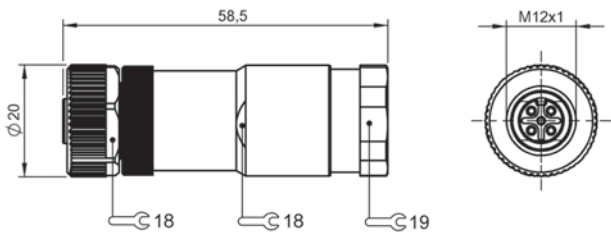
BCC06Z9, BCC06ZF, BCC0F9N



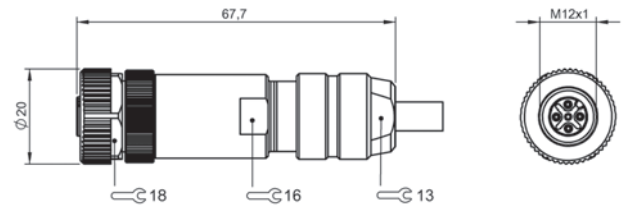
BCC06ZY



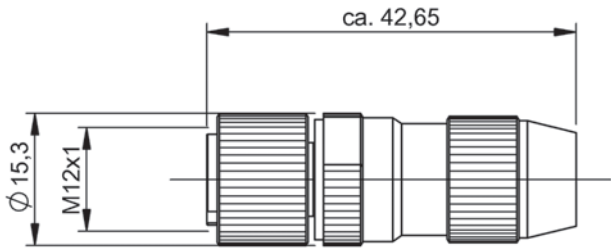
BCC06F6, BCC06W9, BCC06Y6



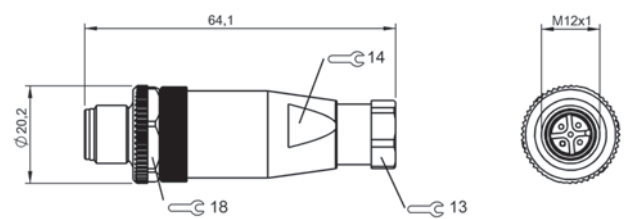
BCC09JP



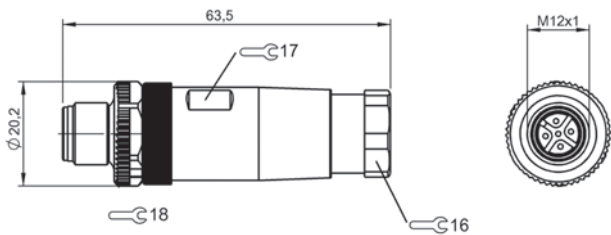
BCC06ZM, BCC06ZN



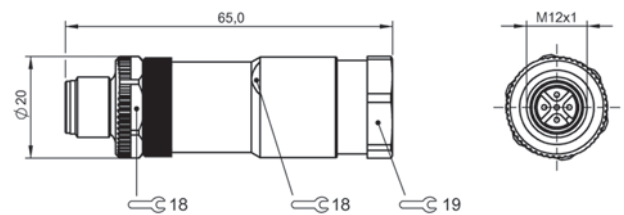
BCC02H8



BCC06YA



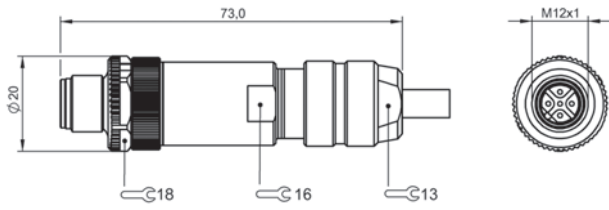
BCC06EY



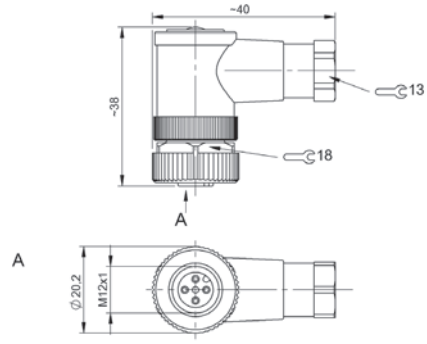
BCC09JW



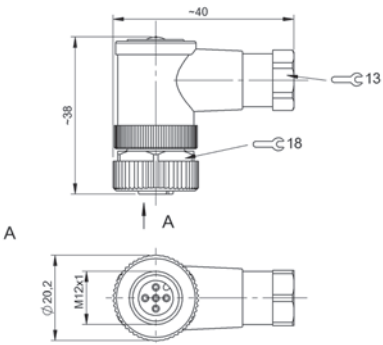




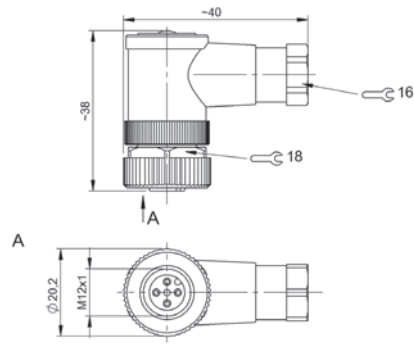
BCC086A



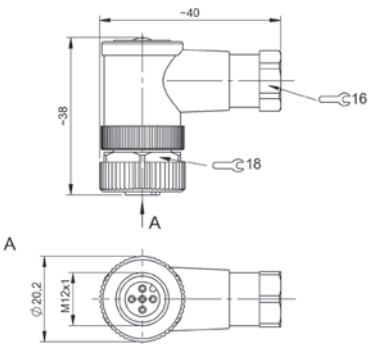
BCC06ZA



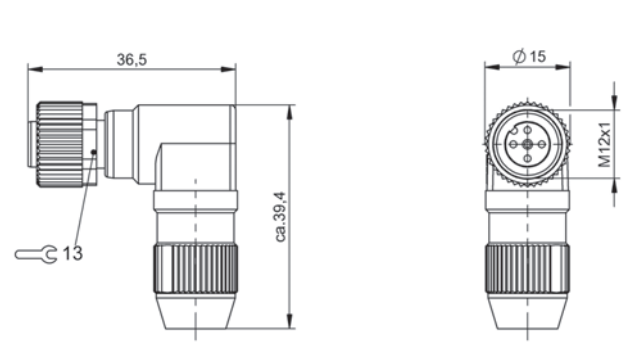
BCC06ZH



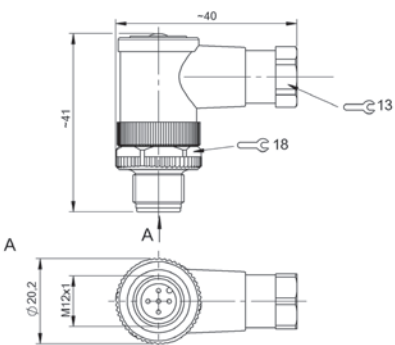
BCC06Y8



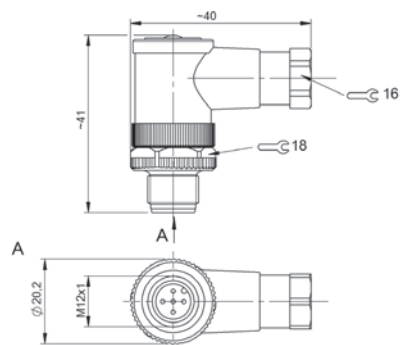
BCC06ZJ



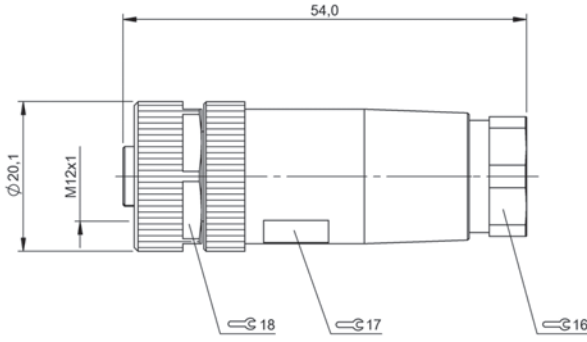
BCC02H6



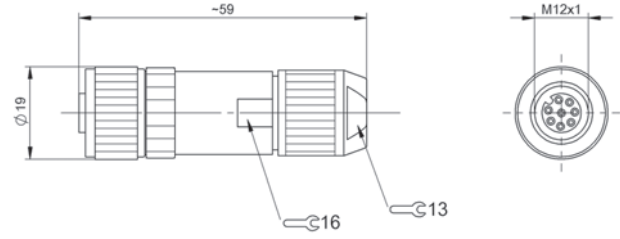
BCC06ZK



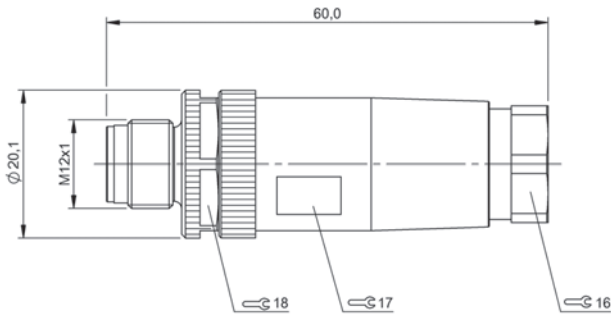
BCC06ZL



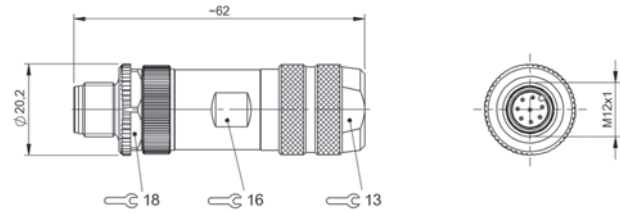
BCC0A03



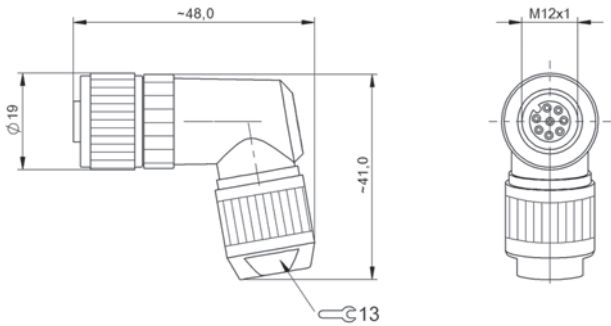
BCC04MC



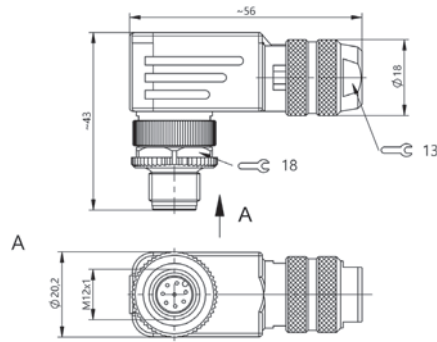
BCC0A04



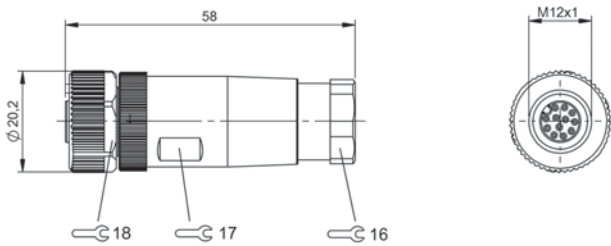
BCC04HAH



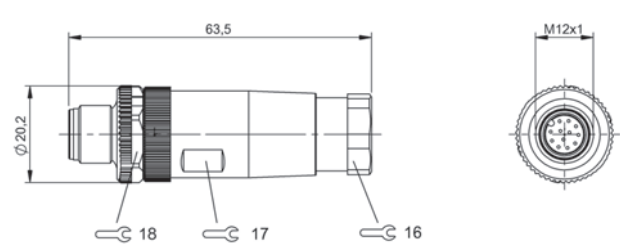
BCC04ME



BCC0KR4

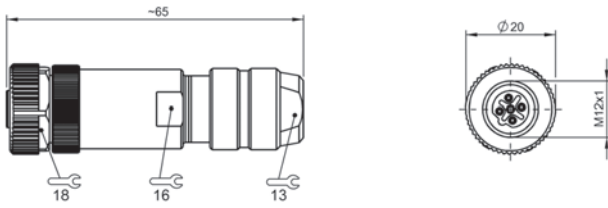


BCC0A05

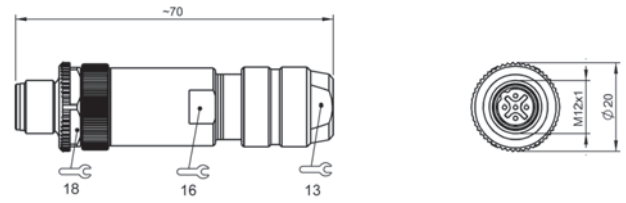


BCC0A06

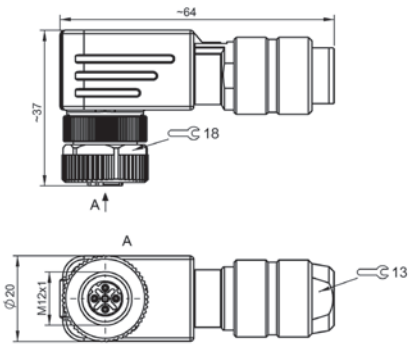




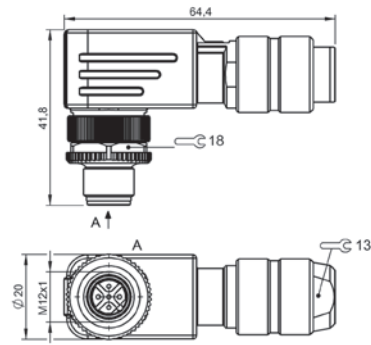
BCC0715



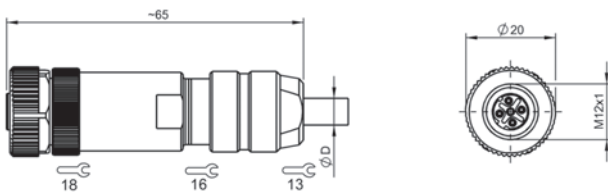
BCC0714



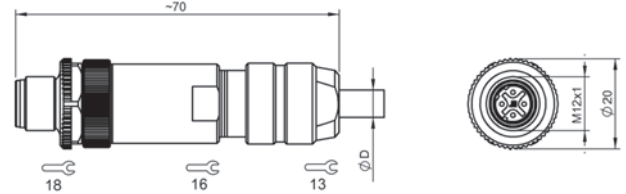
BCC0717, BCC03Y2



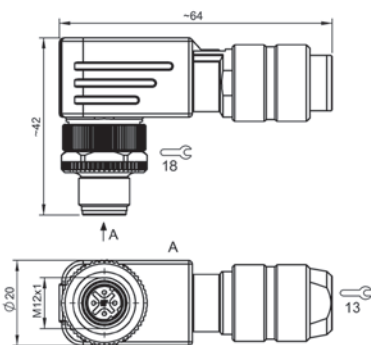
BCC0716



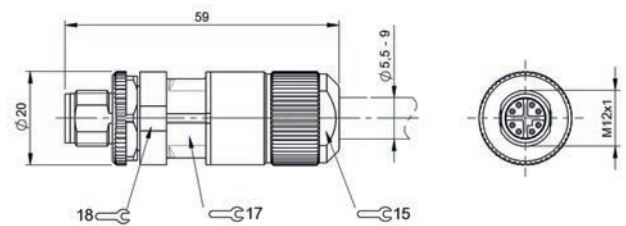
BCC03Y1



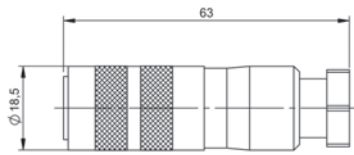
BCC03WZ



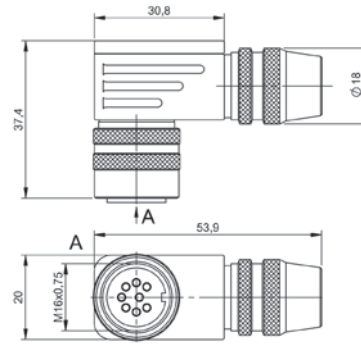
BCC03Y0



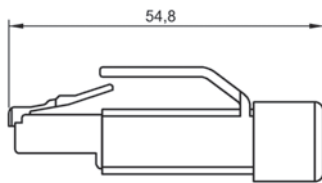
BCC0HTL



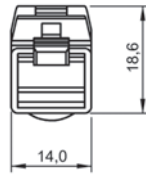
BCC00TT



BCC00UP



BCC06FH





Rugged for optimized connecting  
**BULKHEADS**

**DEXYÍ**®



We offer you an extensive product range of bulkheads. Our plug connectors RJ45 and M12 (A-, B- and D-coded) in various designs are exceptionally robust, resistant to shock and vibration.

High dust and water protection and high-quality materials distinguish connectors from Balluff. They ensure a reliable and rapid connection through the control cabinet wall or other housings.

#### The most important benefits

- High dust and water protection
- Extensive product range with various designs
- For reliable, fast connecting
- Robust and industrial grade
- High-quality materials

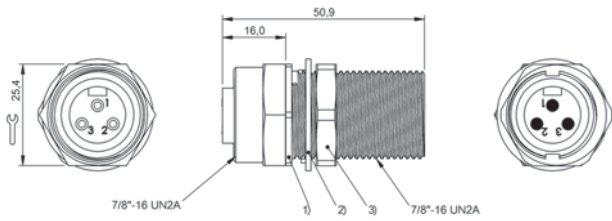


	<b>BCC0A7M</b> BCC A353-A353-30-RN036-000	<b>BCC0723</b> BCC A354-A354-30-RN011-000	
Connection 1	7/8"-Female, straight, 3-pole	7/8"-Female, straight, 4-pole	
Connection 2	7/8"-16 UN2A-Male, straight, 3-pole	7/8"-16 UN2A-Male, straight, 4-pole	
Mounting	7/8"-16UN2A	7/8"-16UN2A	
Operating voltage $U_b$	600 VDC / 600 VAC	600 VDC / 600 VAC	
Rated current (40 °C)	13.0 A	10.0 A	
Protection degree	IP67	IP67	
Ambient temperature	-40...105 °C	-40...105 °C	
Approval/Conformity	cULus, EAC	cULus, EAC	
Productview	Page 224	Page 224	



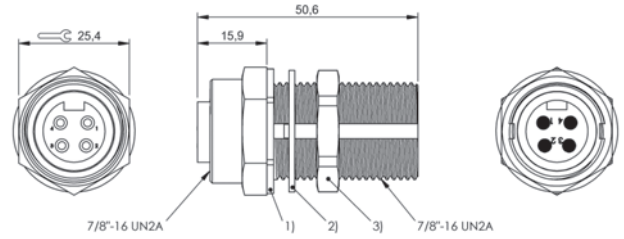
<b>BCC0A7N</b> BCC A355-A355-30-RN037-000	<b>BCC06YP</b> BCC M454-M454-5D-RM002-000	<b>BCC085F</b> BCC M414-E814-BG-RM013-000	<b>BCC085H</b> BCC M424-E814-BG-RM013-000
7/8"-Female, straight, 5-pole	M12x1-Female, straight, 4-pole, D-coded	M12x1-Female, straight, 4-pole, D-coded	M12x1-Female, angled, 4-pole, D-coded
7/8"-16 UN2A-Male, straight, 5-pole	M12x1-Female, straight, 4-pole, D-coded	RJ45-Female, straight, 4-pole	RJ45-Female, straight, 4-pole
7/8"-16UN2A	M16x1.5	M16x1.5	M16x1.5
600 VDC / 600 VAC	60 VDC / 60 VAC	60 VDC / 60 VAC	60 VDC / 60 VAC
8.0 A	4.0 A	0.5 A	0.5 A
IP67	IP67/IP67	IP20	IP20
-40...105 °C	-25...80 °C	-20...80 °C	-20...80 °C
cULus, EAC	EAC	EAC	EAC
Page 224	Page 224	Page 224	Page 224



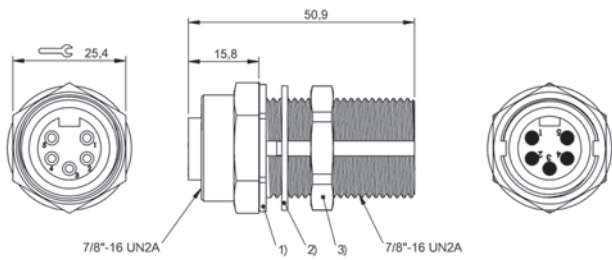


1) Locknut, 2) Washer, 3) O-ring

**BCC0A7M**

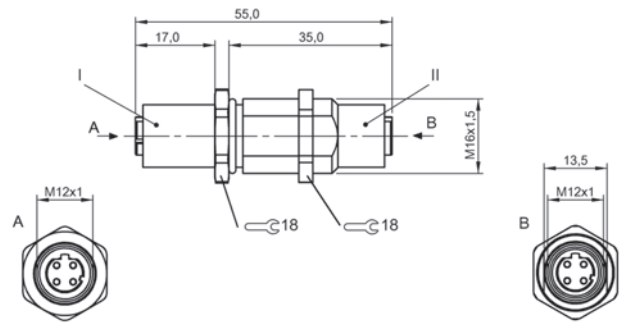


**BCC0723**

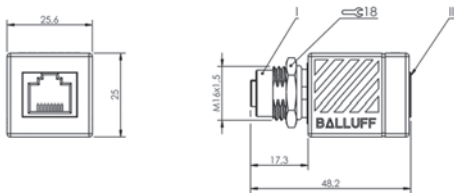


1) Locknut, 2) Washer, 3) O-ring

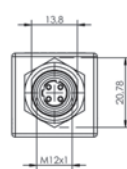
**BCC0A7N**



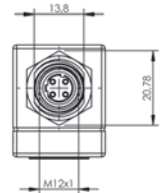
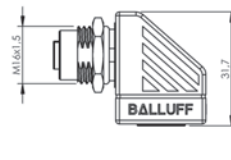
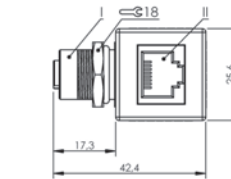
**BCC06YP**



**BCC085F**



**BCC085H**







Rugged for secure connections

# RECEPTACLES

**DEXYÍ**®



With Balluff you can select from a wide, flexibly applicable product range of receptacles in M8 and M12 sizes. You can get the connectors in 3-, 4-, 5-, 8- and 12-pin versions. All connectors are made of rugged metal, comply with IP67 and are resistant to shock and vibration.

#### The most important benefits

- With socket and plug
- Robust metal designs
- Resistant to shocks and vibration
- High-quality materials
- Protection class IP67
- Different strand lengths available
- Wide range of products
- Flexible in application



	<b>BCC0E63</b> BCC A354-0000-10-RN010-006	<b>BCC0720</b> BCC A354-0000-10-RN010-020	<b>BCC098M</b> BCC A355-0000-10-RN022-006	
Connection	7/8"-Female, straight, 4-pole	7/8"-Female, straight, 4-pole	7/8"-Female, straight, 5-pole	
Number of conductors	4	4	5	
Conductor cross-section	16 AWG	16 AWG	16 AWG	
Lead length L	0.60 m	2.00 m	0.60 m	
Operating voltage U <sub>b</sub>	600 VDC / 600 VAC	600 VDC / 600 VAC	600 VDC / 600 VAC	
Rated current (40 °C)	10.0 A	10.0 A	8.0 A	
Protection degree	IP67	IP67	IP67	
Cable temperature, fixed routing	-40...105 °C	-40...105 °C	-40...105 °C	
Approval/Conformity	cULus, EAC	cULus, EAC	cULus, EAC	
Productview	Page 244	Page 244	Page 244	



	<b>BCC098N</b> BCC A355-0000-10-RN022-020	<b>BCC0CU2</b> BCC A353-0000-10-RN057-006	<b>BCC0CU3</b> BCC A353-0000-10-RN057-020	<b>BCC0CU6</b> BCC A354-0000-10-RN059-006	<b>BCC0CU7</b> BCC A354-0000-10-RN059-020
	7/8"-Female, straight, 5-pole	7/8"-Female, straight, 3-pole	7/8"-Female, straight, 3-pole	7/8"-Female, straight, 4-pole	7/8"-Female, straight, 4-pole
	5	3	3	4	4
	16 AWG	16 AWG	16 AWG	16 AWG	16 AWG
	2.00 m	0.60 m	2.00 m	0.60 m	2.00 m
	600 VDC / 600 VAC	600 VDC / 600 VAC	600 VDC / 600 VAC	600 VDC / 600 VAC	600 VDC / 600 VAC
	8.0 A	13.0 A	13.0 A	10.0 A	10.0 A
	IP67	IP67	IP67	IP67	IP67
	-40...105 °C	-40...105 °C	-40...105 °C	-40...105 °C	-40...105 °C
	cULus, EAC	cULus, EAC	cULus, EAC	cULus, EAC	cULus, EAC
	Page 244	Page 244	Page 244	Page 244	Page 244



	<b>BCC0E64</b> BCC A354-0000-20-RN010-006	<b>BCC0722</b> BCC A354-0000-20-RN010-020	<b>BCC098P</b> BCC A355-0000-20-RN022-006	
Connection	7/8"-Male, straight, 4-pole	7/8"-Male, straight, 4-pole	7/8"-Male, straight, 5-pole	
Number of conductors	4	4	5	
Conductor cross-section	16 AWG	16 AWG	16 AWG	
Lead length L	0.60 m	2.00 m	0.60 m	
Operating voltage U <sub>b</sub>	600 VDC / 600 VAC	600 VDC / 600 VAC	600 VDC / 600 VAC	
Rated current (40 °C)	10.0 A	10.0 A	8.0 A	
Protection degree	IP67	IP67	IP67	
Cable temperature, fixed routing	-40...105 °C	-40...105 °C	-40...105 °C	
Approval/Conformity	cULus, EAC	cULus, EAC	cULus, EAC	
Productview	Page 244	Page 244	Page 244	



	<b>BCC098R</b> BCC A355-0000-20-RN022-020	<b>BCC0CU4</b> BCC A353-0000-20-RN057-006	<b>BCC0CU5</b> BCC A353-0000-20-RN057-020	<b>BCC0CU9</b> BCC A354-0000-20-RN059-006	<b>BCC0CUA</b> BCC A354-0000-20-RN059-020
	7/8"-Male, straight, 5-pole	7/8"-Male, straight, 3-pole	7/8"-Male, straight, 3-pole	7/8"-Male, straight, 4-pole	7/8"-Male, straight, 4-pole
	5	3	3	4	4
	16 AWG	16 AWG	16 AWG	16 AWG	16 AWG
	2.00 m	0.60 m	2.00 m	0.60 m	2.00 m
	600 VDC / 600 VAC	600 VDC / 600 VAC	600 VDC / 600 VAC	600 VDC / 600 VAC	600 VDC / 600 VAC
	8.0 A	13.0 A	13.0 A	10.0 A	10.0 A
	IP67	IP67	IP67	IP67	IP67
	-40...105 °C	-40...105 °C	-40...105 °C	-40...105 °C	-40...105 °C
	cULus, EAC	cULus, EAC	cULus, EAC	cULus, EAC	cULus, EAC
	Page 244	Page 244	Page 244	Page 244	Page 244





	<b>BCC0E4Y</b> BCC M353-0000-10-RM049-005	<b>BCC0E4Z</b> BCC M353-0000-10-RM049-020	<b>BCC0E35</b> BCC M354-0000-10-RM050-005	
Connection	M8x1-Female, straight, 3-pole, A-coded	M8x1-Female, straight, 3-pole, A-coded	M8x1-Female, straight, 4-pole, A-coded	
Number of conductors	3	3	4	
Conductor cross-section	0.25 mm <sup>2</sup>	0.25 mm <sup>2</sup>	0.25 mm <sup>2</sup>	
Lead length L	0.50 m	2.00 m	0.50 m	
Operating voltage U <sub>b</sub>	60 VDC / 60 VAC	60 VDC / 60 VAC	30 VDC / 30 VAC	
Rated current (40 °C)	4.0 A	4.0 A	4.0 A	
Protection degree	IP67	IP67	IP67	
Cable temperature, fixed routing	-25...85 °C	-25...85 °C	-25...85 °C	
Approval/Conformity	EAC	EAC	EAC	
Productview	Page 245	Page 245	Page 245	



	<b>BCC0E38</b> BCC M354-0000-10-RM050-020	<b>BCC0E50</b> BCC M353-0000-20-RM049-005	<b>BCC0E51</b> BCC M353-0000-20-RM049-020	<b>BCC0E27</b> BCC M354-0000-20-RM050-005	<b>BCC0E32</b> BCC M354-0000-20-RM050-020
	M8x1-Female, straight, 4-pole, A-coded	M8x1-Male, straight, 3-pole, A-coded	M8x1-Male, straight, 3-pole, A-coded	M8x1-Male, straight, 4-pole, A-coded	M8x1-Male, straight, 4-pole, A-coded
	4	3	3	4	4
	0.25 mm <sup>2</sup>	0.25 mm <sup>2</sup>	0.25 mm <sup>2</sup>	0.25 mm <sup>2</sup>	0.25 mm <sup>2</sup>
	2.00 m	0.50 m	2.00 m	0.50 m	2.00 m
	30 VDC / 30 VAC	60 VDC / 60 VAC	60 VDC / 60 VAC	30 VDC / 30 VAC	30 VDC / 30 VAC
	4.0 A	4.0 A	4.0 A	4.0 A	4.0 A
	IP67	IP67	IP67	IP67	IP67
	-25...85 °C	-25...85 °C	-25...85 °C	-25...85 °C	-25...85 °C
	EAC	EAC	EAC	EAC	EAC
	Page 245	Page 245	Page 245	Page 245	Page 245



	<b>BCC09JZ</b> BCC M455-0000-1A-RM014-005	<b>BCC0E54</b> BCC M455-0000-1A-RM014-020	<b>BCC099C</b> BCC M455-0000-1A-RM020-005	
Connection	M12x1-Female, straight, 5-pole, A-coded	M12x1-Female, straight, 5-pole, A-coded	M12x1-Female, straight, 4-pole, A-coded	
Number of conductors	5	5	4	
Conductor cross-section	0.25 mm <sup>2</sup>	0.25 mm <sup>2</sup>	0.25 mm <sup>2</sup>	
Lead length L	0.50 m	2.00 m	0.50 m	
Operating voltage U <sub>b</sub>	125 VDC / 125 VAC	125 VDC / 125 VAC	250 VDC / 250 VAC	
Rated current (40 °C)	4.0 A	4.0 A	4.0 A	
Protection degree	IP68	IP68	IP68	
Cable temperature, fixed routing	-25...85 °C	-25...85 °C	-25...85 °C	
Approval/Conformity	EAC	EAC	EAC	
Productview	Page 245	Page 245	Page 245	



	<b>BCCOCAE</b> BCC M455-0000-1A-RM020-020	<b>BCCOE55</b> BCC M458-0000-1A-RM015-005	<b>BCCOE56</b> BCC M458-0000-1A-RM015-020	<b>BCCOE59</b> BCC M45C-0000-1A-RM081-005	<b>BCCOE5A</b> BCC M45C-0000-1A-RM081-020
	M12x1-Female, straight, 4-pole, A-coded	M12x1-Female, straight, 8-pole, A-coded	M12x1-Female, straight, 8-pole, A-coded	M12x1-Female, straight, 12-pole, A-coded	M12x1-Female, straight, 12-pole, A-coded
	4	8	8	12	12
	0.25 mm <sup>2</sup>	0.25 mm <sup>2</sup>	0.25 mm <sup>2</sup>	0.14 mm <sup>2</sup>	0.14 mm <sup>2</sup>
	2.00 m	0.50 m	2.00 m	0.50 m	2.00 m
	250 VDC / 250 VAC	60 VDC / 60 VAC	60 VDC / 60 VAC	30 VDC / 30 VAC	30 VDC / 30 VAC
	4.0 A	2.0 A	2.0 A	1.0 A	1.0 A
	IP68	IP68	IP68	IP68	IP68
	-25...85 °C	-25...85 °C	-25...85 °C	-25...85 °C	-25...85 °C
	EAC	EAC	EAC	EAC	EAC
	Page 245	Page 245	Page 245	Page 245	Page 245



	<b>BCC0CZ0</b> BCC M454-0000-1A-RN060-006	<b>BCC0CZ1</b> BCC M454-0000-1A-RN060-020	<b>BCC0CZ8</b> BCC M455-0000-1A-RN063-006	
Connection	M12x1-Female, straight, 4-pole, A-coded	M12x1-Female, straight, 4-pole, A-coded	M12x1-Female, straight, 5-pole, A-coded	
Number of conductors	4	4	5	
Conductor cross-section	22 AWG	22 AWG	22 AWG	
Lead length L	0.60 m	2.00 m	0.60 m	
Operating voltage $U_b$	300 VDC / 300 VAC	300 VDC / 300 VAC	300 VDC / 300 VAC	
Rated current (40 °C)	4.0 A	4.0 A	4.0 A	
Protection degree	IP67	IP67	IP67	
Cable temperature, fixed routing	-40...105 °C	-40...105 °C	-40...105 °C	
Approval/Conformity	cULus, EAC	cULus, EAC	cULus, EAC	
Productview	Page 246	Page 246	Page 246	



	<b>BCC0CZ9</b> BCC M455-0000-1A-RN063-020	<b>BCC0E1K</b> BCC M458-0000-1A-RN066-006	<b>BCC0E1L</b> BCC M458-0000-1A-RN066-020	<b>BCC0CWL</b> BCC M454-0000-1A-RN053-006	<b>BCC0CWM</b> BCC M454-0000-1A-RN053-020
	M12x1-Female, straight, 5-pole, A-coded	M12x1-Female, straight, 8-pole, A-coded	M12x1-Female, straight, 8-pole, A-coded	M12x1-Female, straight, 4-pole, A-coded	M12x1-Female, straight, 4-pole, A-coded
	5	8	8	4	4
	22 AWG	24 AWG	24 AWG	22 AWG	22 AWG
	2.00 m	0.60 m	2.00 m	0.60 m	2.00 m
	300 VDC / 300 VAC	60 VDC / 60 VAC	60 VDC / 60 VAC	300 VDC / 300 VAC	300 VDC / 300 VAC
	4.0 A	2.0 A	2.0 A	4.0 A	4.0 A
	IP67	IP67	IP67	IP67	IP67
	-40...105 °C	-40...105 °C	-40...105 °C	-40...105 °C	-40...105 °C
	cULus, EAC	cULus, EAC	cULus, EAC	cULus, EAC	cULus, EAC
	Page 246	Page 246	Page 246	Page 246	Page 246



	<b>BCC0CZ6</b> BCC M455-0000-1A-RN054-006	<b>BCC0CZ7</b> BCC M455-0000-1A-RN054-020	<b>BCC0CYY</b> BCC M458-0000-1A-RN056-006	
Connection	M12x1-Female, straight, 5-pole, A-coded	M12x1-Female, straight, 5-pole, A-coded	M12x1-Female, straight, 8-pole, A-coded	
Number of conductors	5	5	8	
Conductor cross-section	22 AWG	22 AWG	24 AWG	
Lead length L	0.60 m	2.00 m	0.60 m	
Operating voltage $U_b$	300 VDC / 300 VAC	300 VDC / 300 VAC	60 VDC / 60 VAC	
Rated current (40 °C)	4.0 A	4.0 A	2.0 A	
Protection degree	IP67	IP67	IP67	
Cable temperature, fixed routing	-40...105 °C	-40...105 °C	-40...105 °C	
Approval/Conformity	cULus, EAC	cULus, EAC	cULus, EAC	
Productview	Page 246	Page 246	Page 246	



	<b>BCC0CYZ</b> BCC M458-0000-1A-RN056-020	<b>BCC099A</b> BCC M454-0000-2A-RM020-005	<b>BCC0E53</b> BCC M454-0000-2A-RM020-020	<b>BCC09K0</b> BCC M455-0000-2A-RM014-005	<b>BCC0E5F</b> BCC M455-0000-2A-RM014-020
	M12x1-Female, straight, 8-pole, A-coded	M12x1-Male, straight, 4-pole, A-coded	M12x1-Male, straight, 4-pole, A-coded	M12x1-Male, straight, 5-pole, A-coded	M12x1-Male, straight, 5-pole, A-coded
	8	4	4	5	5
	24 AWG	0.25 mm <sup>2</sup>	0.25 mm <sup>2</sup>	0.25 mm <sup>2</sup>	0.25 mm <sup>2</sup>
	2.00 m	0.50 m	2.00 m	0.50 m	2.00 m
	60 VDC / 60 VAC	250 VDC / 250 VAC	250 VDC / 250 VAC	250 VDC / 250 VAC	125 VDC / 125 VAC
	2.0 A	4.0 A	4.0 A	4.0 A	4.0 A
	IP67	IP68	IP68	IP68	IP68
	-40...105 °C	-25...85 °C	-25...85 °C	-25...85 °C	-25...85 °C
	cULus, EAC	EAC	EAC	EAC	EAC
	Page 246	Page 246	Page 246	Page 247	Page 247





	<b>BCC0E57</b> BCC M458-0000-2A-RM015-005	<b>BCC0E58</b> BCC M458-0000-2A-RM015-020	<b>BCC0E5C</b> BCC M45C-0000-2A-RM081-005	
Connection	M12x1-Male, straight, 8-pole, A-coded	M12x1-Male, straight, 8-pole, A-coded	M12x1-Male, straight, 12-pole, A-coded	
Number of conductors	8	8	12	
Conductor cross-section	0.25 mm <sup>2</sup>	0.25 mm <sup>2</sup>	0.14 mm <sup>2</sup>	
Lead length L	0.50 m	2.00 m	0.50 m	
Operating voltage U <sub>b</sub>	60 VDC / 60 VAC	60 VDC / 60 VAC	30 VDC / 30 VAC	
Rated current (40 °C)	2.0 A	2.0 A	1.0 A	
Protection degree	IP68	IP68	IP68	
Cable temperature, fixed routing	-25...85 °C	-25...85 °C	-25...85 °C	
Approval/Conformity	EAC	EAC	EAC	
Productview	Page 247	Page 247	Page 247	



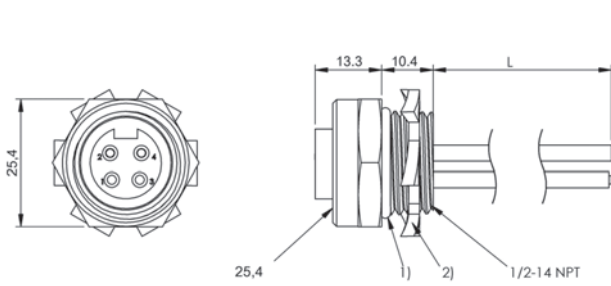
	<b>BCC0E5E</b> BCC M45C-0000-2A-RM081-020	<b>BCC0CZ4</b> BCC M454-0000-2A-RN060-006	<b>BCC0CZ5</b> BCC M454-0000-2A-RN060-020	<b>BCC0CYR</b> BCC M455-0000-2A-RN063-006	<b>BCC0CYT</b> BCC M455-0000-2A-RN063-020
	M12x1-Male, straight, 12-pole, A-coded	M12x1-Male, straight, 4-pole, A-coded	M12x1-Male, straight, 4-pole, A-coded	M12x1-Male, straight, 5-pole, A-coded	M12x1-Male, straight, 5-pole, A-coded
	12	4	4	5	5
	0.14 mm <sup>2</sup>	22 AWG	22 AWG	22 AWG	22 AWG
	2.00 m	0.60 m	2.00 m	0.60 m	2.00 m
	30 VDC / 30 VAC	300 VDC / 300 VAC	300 VDC / 300 VAC	300 VDC / 300 VAC	300 VDC / 300 VAC
	1.0 A	4.0 A	4.0 A	4.0 A	4.0 A
	IP68	IP67	IP67	IP67	IP67
	-25...85 °C	-40...105 °C	-40...105 °C	-40...105 °C	-40...105 °C
	EAC	cULus, EAC	cULus, EAC	cULus, EAC	cULus, EAC
	Page 247	Page 247	Page 247	Page 247	Page 247



	<b>BCC0E1M</b> BCC M458-0000-2A-RN066-006	<b>BCC0CYK</b> BCC M458-0000-2A-RN066-020	<b>BCC0CZ2</b> BCC M454-0000-2A-RN053-006	
Connection	M12x1-Male, straight, 8-pole, A-coded	M12x1-Male, straight, 8-pole, A-coded	M12x1-Male, straight, 4-pole, A-coded	
Number of conductors	8	8	4	
Conductor cross-section	24 AWG	24 AWG	22 AWG	
Lead length L	0.60 m	2.00 m	0.60 m	
Operating voltage $U_b$	60 VDC / 60 VAC	60 VDC / 60 VAC	300 VDC / 300 VAC	
Rated current (40 °C)	2.0 A	2.0 A	4.0 A	
Protection degree	IP67	IP67	IP67	
Cable temperature, fixed routing	-40...105 °C	-40...105 °C	-40...105 °C	
Approval/Conformity	cULus, EAC	cULus, EAC	cULus, EAC	
Productview	Page 247	Page 247	Page 247	

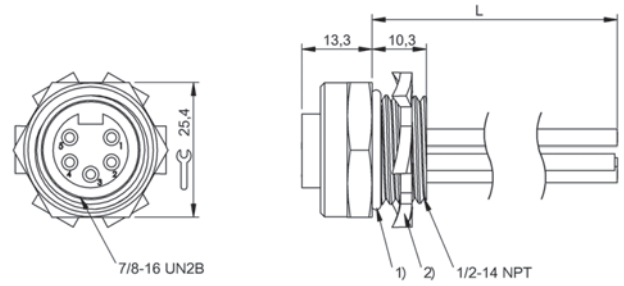


<b>BCCOCZ3</b> BCC M454-0000-2A-RN053-020	<b>BCCOCYN</b> BCC M455-0000-2A-RN054-006	<b>BCCOCYP</b> BCC M455-0000-2A-RN054-020	<b>BCCOCYC</b> BCC M458-0000-2A-RN056-006	<b>BCCOCYE</b> BCC M458-0000-2A-RN056-020
M12x1-Male, straight, 4-pole, A-coded	M12x1-Male, straight, 5-pole, A-coded	M12x1-Male, straight, 5-pole, A-coded	M12x1-Male, straight, 8-pole, A-coded	M12x1-Male, straight, 8-pole, A-coded
4	5	5	8	8
22 AWG	22 AWG	22 AWG	24 AWG	24 AWG
2.00 m	0.60 m	2.00 m	0.60 m	2.00 m
300 VDC / 300 VAC	300 VDC / 300 VAC	300 VDC / 300 VAC	60 VDC / 60 VAC	60 VDC / 60 VAC
4.0 A	4.0 A	4.0 A	2.0 A	2.0 A
IP67	IP67	IP67	IP67	IP67
-40...105 °C	-40...105 °C	-40...105 °C	-40...105 °C	-40...105 °C
cULus, EAC	cULus, EAC	cULus, EAC	cULus, EAC	cULus, EAC
Page 247	Page 248	Page 248	Page 248	Page 248



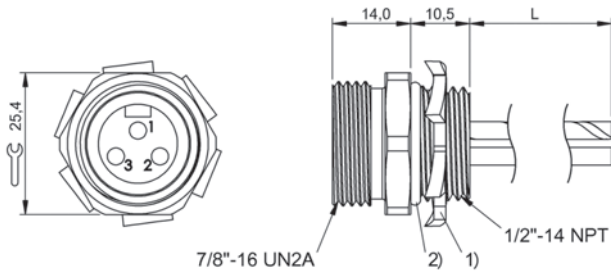
1) O-ring, 2) Lockwasher

**BCC0E63, BCC0720**



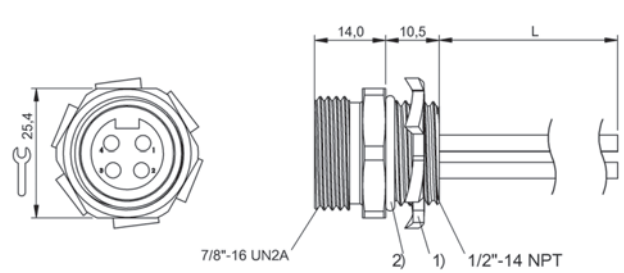
1) O-ring, 2) Locknut

**BCC098M, BCC098N**



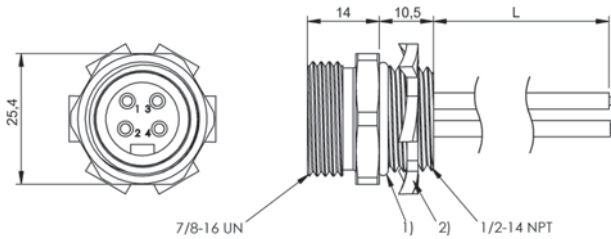
1) Hex nut, 2) O-ring

**BCC0CU2, BCC0CU3**



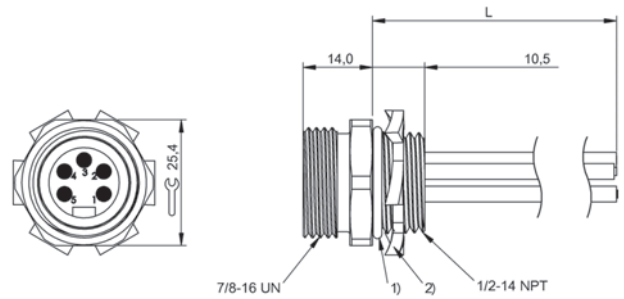
1) Hex nut, 2) O-ring

**BCC0CU6, BCC0CU7**



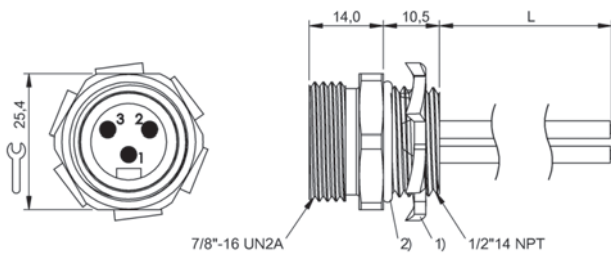
1) O-ring, 2) Lockwasher

**BCC0E64, BCC0722**



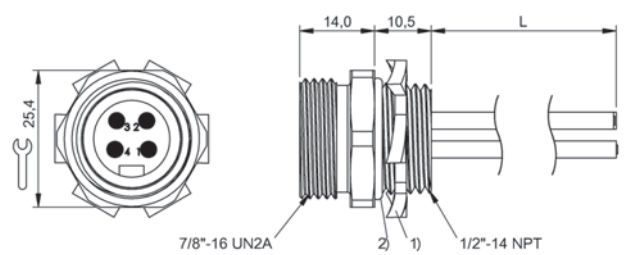
1) O-ring, 2) Locknut

**BCC098P, BCC098R**



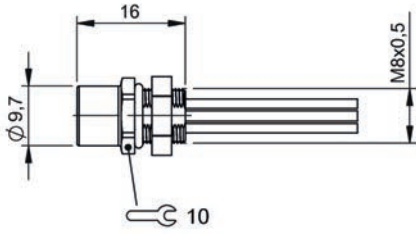
1) Hex nut, 2) O-ring

**BCC0CU4, BCC0CU5**

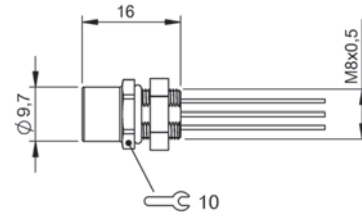


1) Hex nut, 2) O-ring

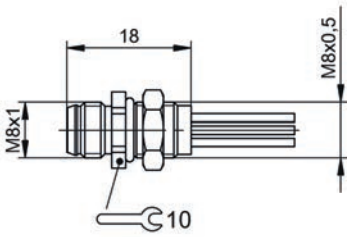
**BCC0CU9, BCC0CUA**



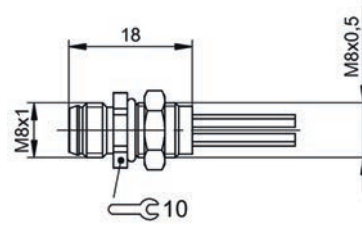
BCC0E4Y, BCC0E4Z



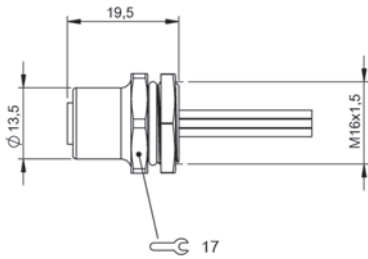
BCC0E35, BCC0E38



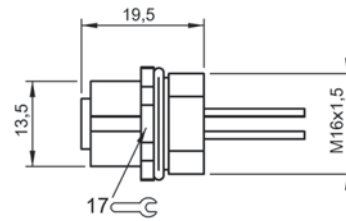
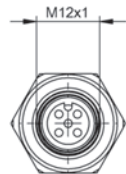
BCC0E50, BCC0E51



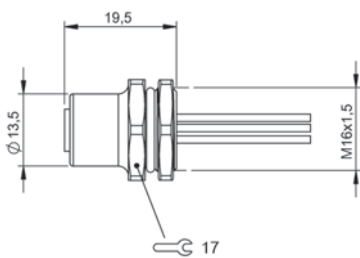
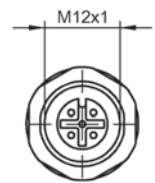
BCC0E2Z, BCC0E32



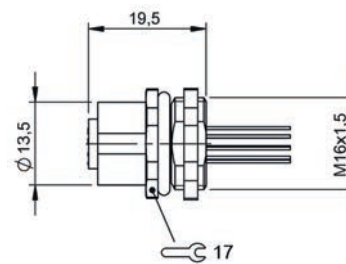
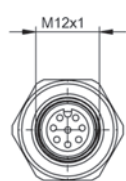
BCC09JZ, BCC0E54



BCC099C, BCC0CAE

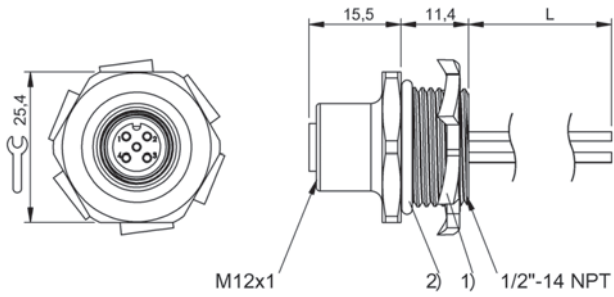


BCC0E55, BCC0E56



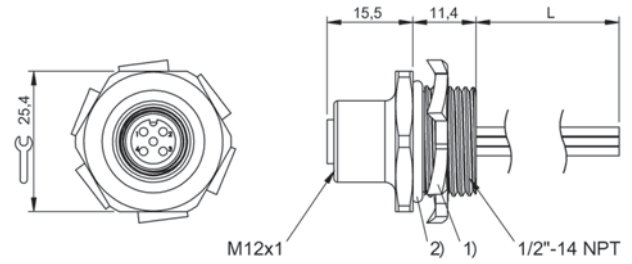
BCC0E59, BCC0E5A





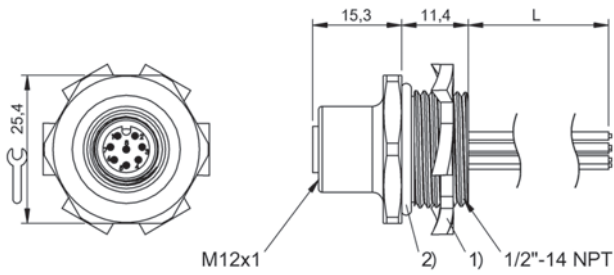
1) Hex nut, 2) O-ring

**BCC0CZ0, BCC0CZ1**



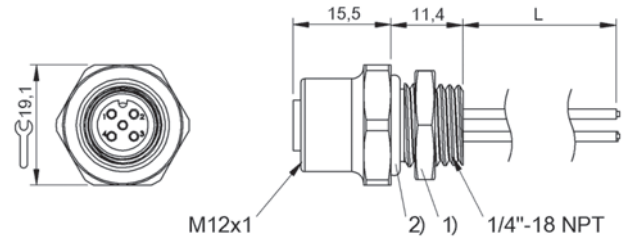
1) Hex nut, 2) O-ring

**BCC0CZ8, BCC0CZ9**



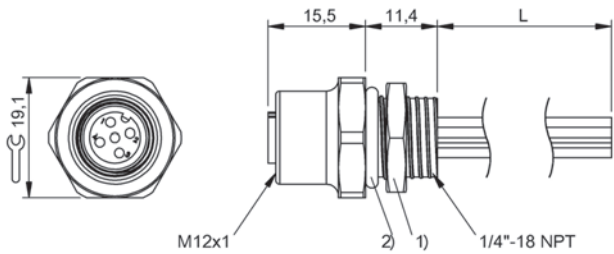
1) Hex nut, 2) O-ring

**BCC0E1K, BCC0E1L**



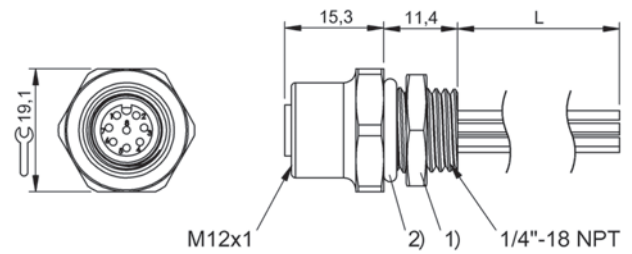
1) Hex nut, 2) O-ring

**BCC0CWL, BCC0CWM**



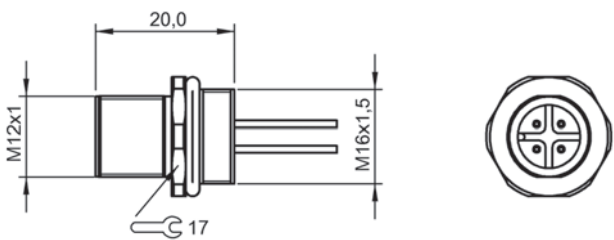
1) Hex nut, 2) O-ring

**BCC0CZ6, BCC0CZ7**

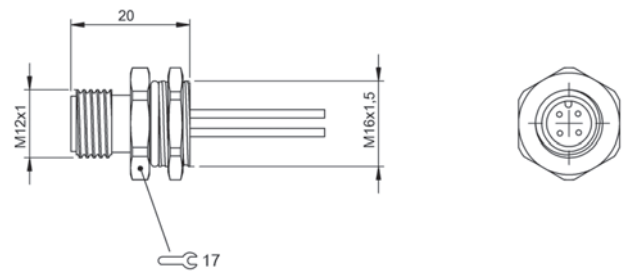


1) Hex nut, 2) O-ring

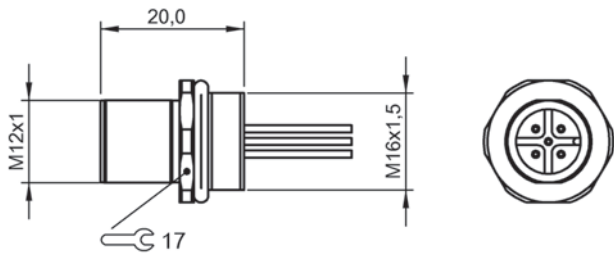
**BCC0CY, BCC0CZ**



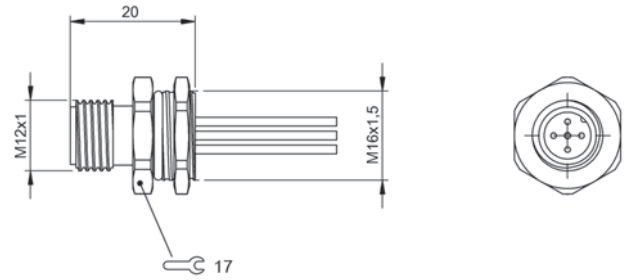
**BCC099A**



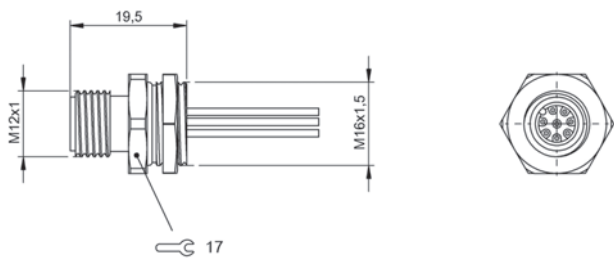
**BCC0E53**



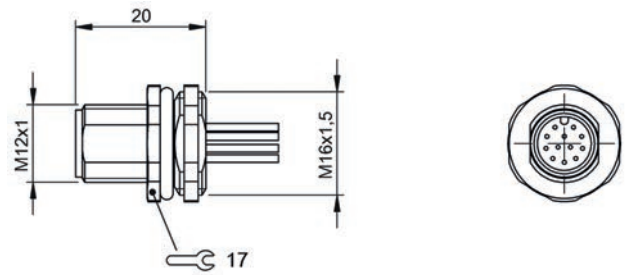
**BCC09K0**



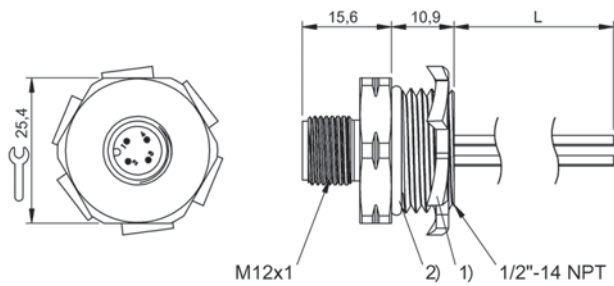
**BCC0E5F**



**BCC0E57, BCC0E58**

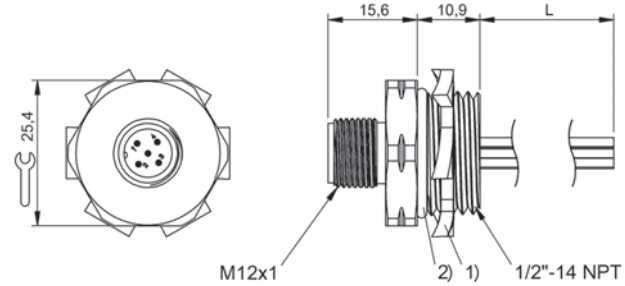


**BCC0E5C, BCC0E5E**



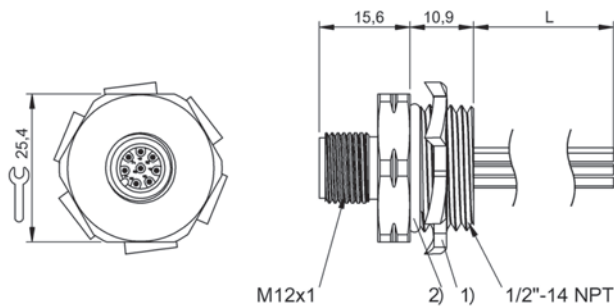
1) Hex nut, 2) O-ring

**BCC0CZ4, BCC0CZ5**



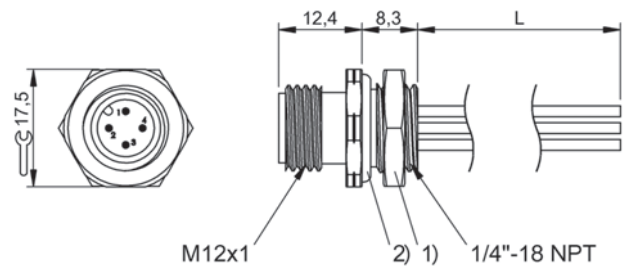
1) Hex nut, 2) O-ring

**BCC0CYR, BCC0CYT**



1) Hex nut, 2) O-ring

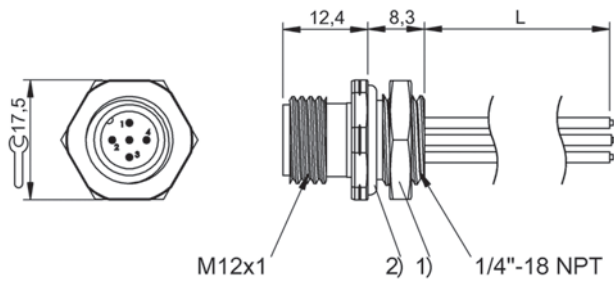
**BCC0E1M, BCC0CYK**



1) Hex nut, 2) O-ring

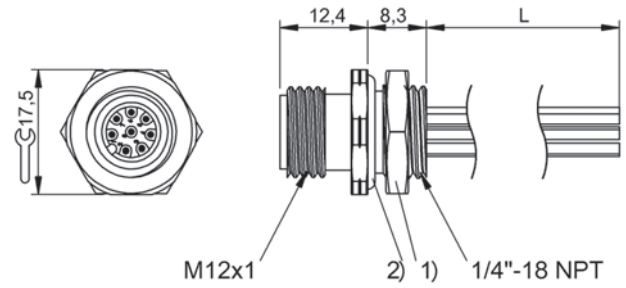
**BCC0CZ2, BCC0CZ3**





1) Hex nut, 2) O-ring

**BCC0CYN, BCC0CYP**



1) Hex nut, 2) O-ring

**BCC0CYG, BCC0CYE**





Problem solvers in installation technology

# ADAPTERS

**DEXYÍ**®



The extensive range of adapters from Balluff helps you to connect different plug connector designs quickly and reliably.

We offer many solutions, all of which are rugged and industrial grade for the highest possible level of flexibility.

#### The most important benefits

- Robust, industrial grade
- For reliable, fast connecting
- Additional flexibility

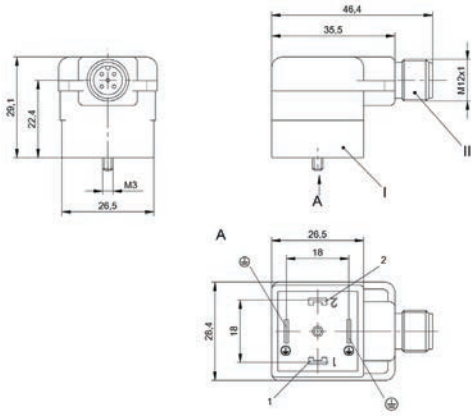


	<b>BCC0HKZ</b> BCC VA04-M415-3E-RA125-000	<b>BCC0F47</b> BCC M313-M413-3E-RA101-000	
Connection 1	A, DIN-0°/180°-Valve connector, angled, 4-pole	M8x1-Female, straight, 3-pole, A-coded	
Connection 2	M12x1-Male, straight, 3-pole, A-coded	M12x1-Male, straight, 3-pole, A-coded	
Connection 3	—	—	
Function indicator	LED yellow	—	
Operating voltage $U_b$	24 VDC / 24 VAC	60 VDC / 60 VAC	
Rated current (40 °C)	4.0 A	3.0 A	
Protection degree	IP67	IP67	
Ambient temperature	-25...80 °C	-25...85 °C	
Approval/Conformity	EAC	EAC	
Productview	Page 254	Page 254	

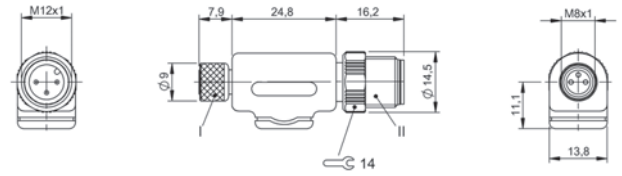


	<b>BCCOF2Y</b> BCC M314-M414-3E-RA102-000	<b>BCCOF2T</b> BCC M415-M313-3F-RA101-000	<b>BCCOF2U</b> BCC M415-M314-3F-RA102-000	
	M8x1-Female, straight, 4-pole, A-coded	M12x1-Female, straight, 3-pole, A-coded	M12x1-Female, straight, 4-pole, A-coded	
	M12x1-Male, straight, 4-pole, A-coded	M8x1-Male, straight, 3-pole, A-coded	M8x1-Male, straight, 4-pole, A-coded	
	—	—	—	
	—	—	—	
	30 VDC / 30 VAC	60 VDC / 60 VAC	30 VDC / 30 VAC	
	3.0 A	3.0 A	3.0 A	
	IP67	IP67	IP67	
	-25...85 °C	-25...85 °C	-25...85 °C	
	EAC	EAC	EAC	
	Page 254	Page 254	Page 254	

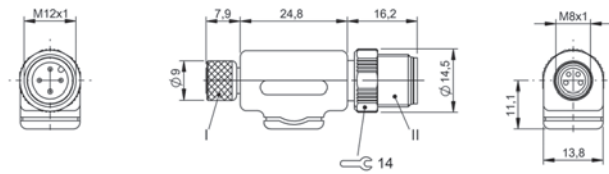
254 | Connectivity | Adapters



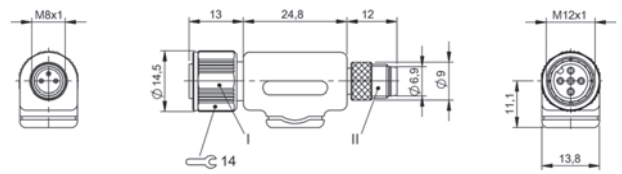
BCC0HKZ



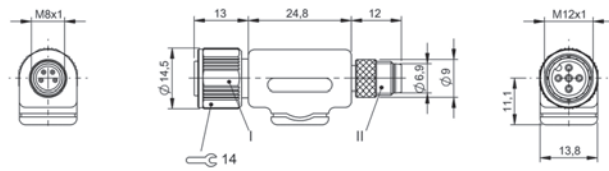
BCC0F47



BCC0F2Y



BCC0F2T



BCC0F2U







Matched to your bus system

# TERMINATING RESISTORS



At Balluff you will always find the right terminating resistor. This is because we offer terminating resistors for all standard commercial bus systems: Profibus, Devicenet and CC-Link. Our broad product range includes both standard and custom components.

Available in various form factors and in molded versions. All products are best suited for rugged use in the industrial environment. Rugged, noise-resistant and extremely reliable, they contribute to the high production quality of your systems.

#### The most important benefits

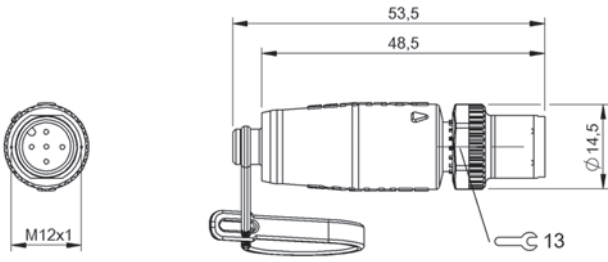
- Robust, immune to faults
- Resistant to shocks and vibration
- Industrial grade
- IP67, optionally IP68
- High-quality materials
- Reliable
- Various designs
- Suitable for all standard commercially available field bus systems
- Supports high manufacturing quality



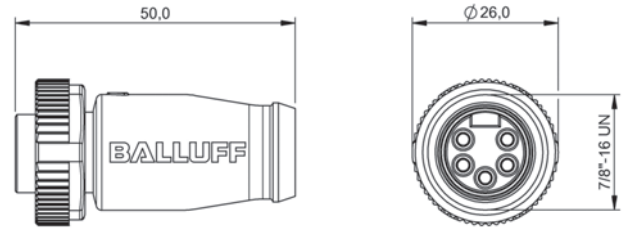
	<b>BCC06Y4</b> BCC M415-0000-2A-R03	<b>BCC0A0A</b> BCC A315-0000-1A-R04	<b>BCC0A09</b> BCC A315-0000-2A-R04	
Interface	CC-Link	DeviceNet	DeviceNet	
Connection	M12x1-Male, straight, 5-pole, A-coded	7/8"-Female, straight, 5-pole	7/8"-Male, straight, 5-pole	
Function indicator	—	—	—	
Protection degree	IP68	IP68	IP68	
Ambient temperature	-20...80 °C	-20...80 °C	-20...80 °C	
Approval/Conformity	EAC	EAC	EAC	
Productview	Page 260	Page 260	Page 260	



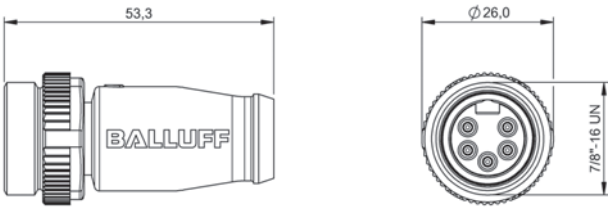
<b>BCC0A08</b> BCC M415-0000-1A-R04	<b>BCC09MR</b> BCC M415-0000-2A-R04	<b>BCC0C6E</b> BCC M415-0000-1B-R01	<b>BCC0718</b> BCC M415-0000-2B-R01	<b>BCC0719</b> BCC M415-0000-2B-R02
DeviceNet	DeviceNet	Profibus	Profibus	Profibus
M12x1-Female, straight, 5-pole, A-coded	M12x1-Male, straight, 5-pole, A-coded	M12x1-Female, straight, 5-pole, B-coded	M12x1-Male, straight, 5-pole, B-coded	M12x1-Male, straight, 5-pole, B-coded
—	—	—	—	LED green
IP68	IP68	IP68	IP68	IP68
-40...90 °C	-40...90 °C	-40...90 °C	-20...80 °C	-20...80 °C
EAC	EAC	EAC	EAC	EAC
Page 260	Page 260	Page 260	Page 260	Page 260



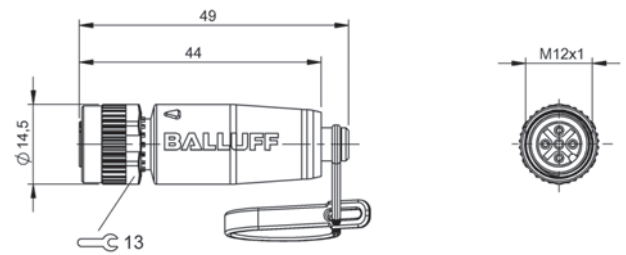
BCC06Y4



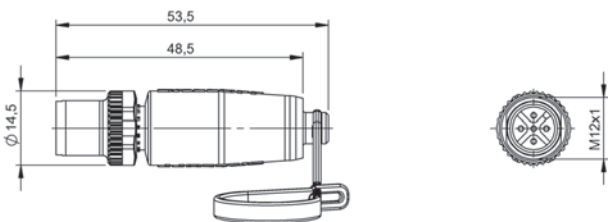
BCC0A0A



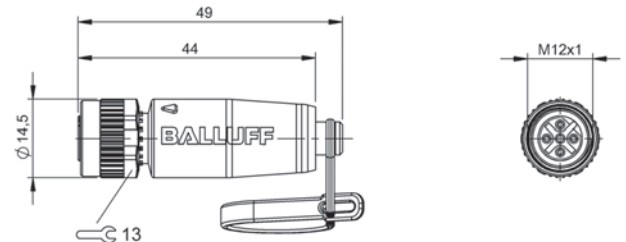
BCC0A09



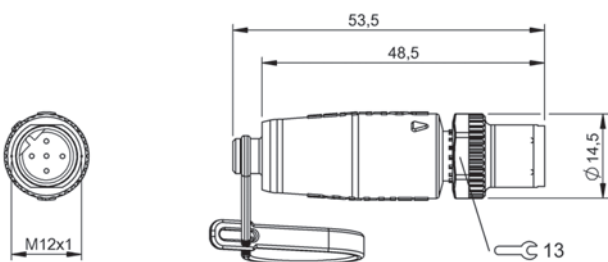
BCC0A08



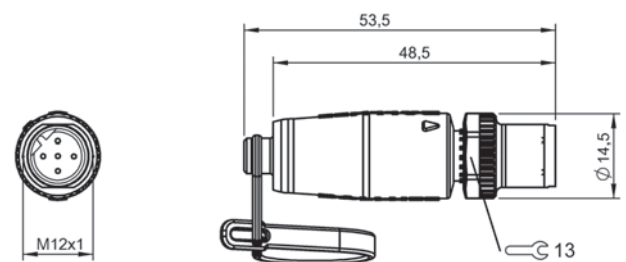
BCC09MR



BCC0C6E



BCC0718



BCC0719





Universal use,  
even under harsh conditions

# JUNCTION BLOCKS

**DEXYÍ**®



Junction blocks from Balluff connect sensors and actuators to the controller. They are especially suited for all applications where coolants and lubricants are used and also are ideal for harsh conditions. The fully encapsulated housing offers a high degree of media resistance and an outstanding resistance to shock and vibrations.

#### The most important benefits

- Easy connections
- Low space requirements
- High media resistance and precision fit with metal screw inserts
- Flexible mounting options





		BPI 4M3 ...	
Connection		Cable	
Version		M8, 4x	
Rated voltage	No LED	60 V AC/DC	
	with LED	30 V DC	
Rated current, port		3 A	
Total current max.		8 A	
Degree of protection		IP67	
3-pin, no LED		BPI 4M3030-5K-B0-KPX60①-__ _②	
3-pin, PNP-LED		BPI 4M303P-5K-B0-KPX60①-__ _②	
3-pin, NPN-LED		BPI 4M303N-5K-B0-KPX60①-__ _②	
4-pin, no LED		BPI 4M3040-5K-B0-KPXA0①-__ _②	
4-pin, PNP-LED		BPI 4M304P-5K-B0-KPXA0①-__ _②	
4-pin, NPN-LED		BPI 4M304N-5K-B0-KPXA0①-__ _②	
Approval/Conformity		CE, UL, EAC	
For drawing see page		280	



	BPI 6M3 ...	BPI 8M3 ...	BPI AM3 ...
	Cable	Cable	Cable
	M8, 6x	M8, 8x	M8, 10x
	60 V AC/DC	60 V AC/DC	60 V AC/DC
	30 V DC	30 V DC	30 V DC
	3 A	3 A	3 A
	8 A	8 A	8 A
	IP67	IP67	IP67
	BPI 6M3030-5K-B0-KPX80①-__②	BPI 8M3030-5K-B0-KPXA0①-__②	BPI AM3030-5K-B0-KPXC0①-__②
	BPI 6M303P-5K-B0-KPX80①-__②	BPI 8M303P-5K-B0-KPXA0①-__②	BPI AM303P-5K-B0-KPXC0①-__②
	BPI 6M303N-5K-B0-KPX80①-__②	BPI 8M303N-5K-B0-KPXA0①-__②	BPI AM303N-5K-B0-KPXC0①-__②
	BPI 6M3040-5K-B0-KPXE0①-__②	BPI 8M3040-5K-B0-KP XK0①-__②	BPI AM3040-5K-B0-KPXP0①-__②
	BPI 6M304P-5K-B0-KPXE0①-__②	BPI 8M304P-5K-B0-KP XK0①-__②	BPI AM304P-5K-B0-KPXP0①-__②
	BPI 6M304N-5K-B0-KPXE0①-__②	BPI 8M304N-5K-B0-KP XK0①-__②	BPI AM304N-5K-B0-KPXP0①-__②
	CE, UL, EAC	CE, UL, EAC	CE, UL, EAC
	280, 281	281	282

①	Material	Color	Number of conductors x conductor cross-section	Cable temperature fixed in place	Cable temperature flexed
KPX60	PUR	Black	2 x 0.75 mm <sup>2</sup> 4 x 0.34 mm <sup>2</sup>	-25...+80 °C	-5...+80 °C
KPX80	PUR	Black	2 x 0.75 mm <sup>2</sup> 6 x 0.34 mm <sup>2</sup>	-25...+80 °C	-5...+80 °C
KPXA0	PUR	Black	2 x 0.75 mm <sup>2</sup> 8 x 0.34 mm <sup>2</sup>	-25...+80 °C	-5...+80 °C
KPXC0	PUR	Black	2 x 0.75 mm <sup>2</sup> 10 x 0.34 mm <sup>2</sup>	-25...+80 °C	-5...+80 °C
KPXE0	PUR	Black	2 x 0.75 mm <sup>2</sup> 12 x 0.34 mm <sup>2</sup>	-25...+80 °C	-5...+80 °C
KP XK0	PUR	Black	2 x 0.75 mm <sup>2</sup> 16 x 0.34 mm <sup>2</sup>	-25...+80 °C	-5...+80 °C
KPXP0	PUR	Black	2 x 0.75 mm <sup>2</sup> 20 x 0.34 mm <sup>2</sup>	-25...+80 °C	-5...+80 °C

②	Cable length
030	3 m
050	5 m
100	10 m
150	15 m

Other cable lengths on request!



		BPI 4M3 ...	
Connection		Male, M12, 8-pin	
Version		M8, 4x	
Rated voltage	No LED	30 V AC/DC	
	with LED	30 V DC	
Rated current, port		2 A	
Total current max.		2 A	
Degree of protection		IP67	
Ambient temperature		-25...+80 °C	
3-pin, no LED		BPI 4M3030-5K-B0-SM48T	
3-pin, PNP-LED		BPI 4M303P-5K-B0-SM48T	
3-pin, NPN-LED		BPI 4M303N-5K-B0-SM48T	
4-pin, no LED		-	
4-pin, PNP-LED		-	
4-pin, NPN-LED		-	
Approval/Conformity		CE, UL, EAC	
For drawing see page		282	



	BPI 4M3 ...	BPI 6M3 ...	BPI 6M3 ...
	Male, M12, 12-pin	Male, M12, 8-pin	Male, M12, 12-pin
	M8, 4x	M8, 6x	M8, 6x
	30 V AC/DC	30 V AC/DC	30 V AC/DC
	30 V DC	30 V DC	30 V DC
	1.5 A	2 A	1.5 A
	1.5 A	2 A	1.5 A
	IP67	IP67	IP67
	-25...+80 °C	-25...+80 °C	-25...+80 °C
	BPI 4M3030-5K-B0-SM4CT	BPI 6M3030-5K-B0-SM48T	BPI 6M3030-5K-B0-SM4CT
	BPI 4M303P-5K-B0-SM4CT	BPI 6M303P-5K-B0-SM48T	BPI 6M303P-5K-B0-SM4CT
	BPI 4M303N-5K-B0-SM4CT	BPI 6M303N-5K-B0-SM48T	BPI 6M303N-5K-B0-SM4CT
	BPI 4M3040-5K-B0-SM4CT	-	-
	BPI 4M304P-5K-B0-SM4CT	-	-
	BPI 4M304N-5K-B0-SM4CT	-	-
	CE, UL, EAC	CE, UL, EAC	CE, UL, EAC
	283	283	284

Sensors

RFID

Machine Vision and  
Optical Identification

Human Machine  
Interfaces

Systems

Safety

Industrial Networking

Power Supplies

Connectivity

Accessories

Connection	
Version	
Rated voltage	No LED with LED
Rated current, port	
Total current max.	
Degree of protection	
Ambient temperature	
3-pin, no LED	
3-pin, PNP-LED	
3-pin, NPN-LED	
Approval/Conformity	
For drawing see page	





BPI 8M3 ...	BPI AM3 ...
Male, M12, 12-pin	Male, M12, 12-pin
M8, 8x	M8, 10x
30 V AC/DC	30 V AC/DC
30 V DC	30 V DC
1.5 A	1.5 A
1.5 A	1.5 A
IP67	IP67
-25...+80 °C	-25...+80 °C
BPI 8M3030-5K-B0-SM4CT	BPI AM3030-5K-B0-SM4CT
BPI 8M303P-5K-B0-SM4CT	BPI AM303P-5K-B0-SM4CT
BPI 8M303N-5K-B0-SM4CT	BPI AM303N-5K-B0-SM4CT
CE, UL, EAC	CE, UL, EAC
284	284

Connection	
Version	
Rated voltage	No LED with LED
Rated current, port	
Total current max.	
Degree of protection	
3-pin + PE, no LED	
3-pin + PE, PNP-LED	
3-pin + PE, NPN-LED	
4-pin + PE, no LED	
4-pin + PE, PNP-LED	
4-pin + PE, NPN-LED	
Approval/Conformity	
For drawing see page	





BPI 4M4 ...	BPI 8M4 ...
Cable	Cable
M12, 4x	M12, 8x
60 V AC/DC	60 V AC/DC
30 V DC	30 V DC
4 A	4 A
8 A	8 A
IP67	IP67
BPI 4M4A40-2K-B0-KPX70①-__②	BPI 8M4A40-2K-B0-KPXB0①-__②
BPI 4M4A4P-2K-B0-KPX70①-__②	BPI 8M4A4P-2K-B0-KPXB0①-__②
BPI 4M4A4N-2K-B0-KPX70①-__②	BPI 8M4A4N-2K-B0-KPXB0①-__②
BPI 4M4A50-2K-B0-KPXB0①-__②	BPI 8M4A50-2K-B0-KPXL0①-__②
BPI 4M4A5P-2K-B0-KPXB0①-__②	BPI 8M4A5P-2K-B0-KPXL0①-__②
BPI 4M4A5N-2K-B0-KPXB0①-__②	BPI 8M4A5N-2K-B0-KPXL0①-__②
CE, UL, EAC	CE, UL, EAC
285	285

①	Material	Color	Number of conductors x conductor cross-section	Cable temperature fixed in place	Cable temperature flexed
KPX70	PUR	Black	3 × 1.0 mm <sup>2</sup> 4 × 0.34 mm <sup>2</sup>	-25...+80 °C	-5...+80 °C
KPXB0	PUR	Black	3 × 1.0 mm <sup>2</sup> 8 × 0.34 mm <sup>2</sup>	-25...+80 °C	-5...+80 °C
KPXL0	PUR	Black	3 × 1.0 mm <sup>2</sup> 19 × 0.34 mm <sup>2</sup>	-25...+80 °C	-5...+80 °C

②	Cable length
030	3 m
050	5 m
100	10 m
150	15 m

Other cable lengths on request!





		BPI 4M4 ...	
Connection		Male, M23, 12-pin	
Version		M12, 4x	
Rated voltage	No LED	60 V AC/DC	
	with LED	30 V DC	
Rated current, port		4 A	
Total current max.		8 A	
Degree of protection		IP67	
Ambient temperature		-25...+80 °C	
3-pin + PE, no LED		BPI 4M4A40-2K-B0-SM6CT	
3-pin + PE, PNP-LED		BPI 4M4A4P-2K-B0-SM6CT	
3-pin + PE, NPN-LED		BPI 4M4A4N-2K-B0-SM6CT	
4-pin + PE, no LED		-	
4-pin + PE, PNP-LED		-	
4-pin + PE, NPN-LED		-	
Approval/Conformity		CE, UL, EAC	
For drawing see page		285	



	BPI 4M4 ...	BPI 8M4 ...	BPI 8M4 ...
	Male, M23, 19-pin	Male, M23, 12-pin	Male, M23, 19-pin
	M12, 4x	M12, 8x	M12, 8x
	60 V AC/DC	60 V AC/DC	60 V AC/DC
	30 V DC	30 V DC	30 V DC
	4 A	4 A	4 A
	8 A	8 A	8 A
	IP67	IP67	IP67
	-25...+80 °C	-25...+80 °C	-25...+80 °C
	-	BPI 8M4A40-2K-B0-SM6CT	-
	-	BPI 8M4A4P-2K-B0-SM6CT	-
	-	BPI 8M4A4N-2K-B0-SM6CT	-
	BPI 4M4A50-2K-B0-SM6LT	-	BPI 8M4A50-2K-B0-SM6LT
	BPI 4M4A5P-2K-B0-SM6LT	-	BPI 8M4A5P-2K-B0-SM6LT
	BPI 4M4A5N-2K-B0-SM6LT	-	BPI 8M4A5N-2K-B0-SM6LT
	CE, UL, EAC	CE, UL, EAC	CE, UL, EAC
	286	286	286

Sensors

RFID

Machine Vision and  
Optical Identification

Human Machine  
Interfaces

Systems

Safety

Industrial Networking

Power Supplies

Connectivity

Accessories

Connection	
Version	
Rated voltage	
Rated current, port	
Total current max.	
Degree of protection	
Ambient temperature	
3-pin with PE, PNP-LED	
4-pin with PE, PNP-LED	
Approval/Conformity	
For drawing see page	





	BPI 4M4 ...	BPI 8M4 ...
	Hood	Hood
	M12, 4x	M12, 8x
	30 V DC	30 V DC
	4 A	4 A
	8 A	8 A
	IP67	IP67
	-25...+80 °C	-25...+80 °C
	BPI 4M4A4P-2K-00-TPS9	BPI 8M4A4P-2K-00-TPSE
	BPI 4M4A5P-2K-00-TPSG	BPI 8M4A5P-2K-00-TPSN
	CE, EAC	CE, EAC
	287	287



	BPI 4M4 ...	BPI XXXX ...	
Connection	Hood	Hood with cable for base module without hood	
Version	M12, 4x	4-way	
Rated voltage	30 V DC	–	
Rated current, port	4 A	–	
Total current max.	8 A	–	
Degree of protection	IP67	–	
Ambient temperature	–25...+80 °C	–	
3-pin with PE, PNP-LED	BPI 4M4A4P-2K-00-TP09	–	
4-pin with PE, PNP-LED	BPI 4M4A5P-2K-00-TP0G	–	
3-pin with PE, no potential isolation	–	BPI T009-K-00-KPX70①-__ _②	
4-pin with PE, no potential isolation	–	BPI T00G-K-00-KPXB0①-__ _②	
4-pin with PE, with potential isolation	–	BPI T00G-K-00-KPXD0①-__ _②	
Universal	–	–	
Approval/Conformity	CE, EAC	CE, EAC	
For drawing see page	287	288	



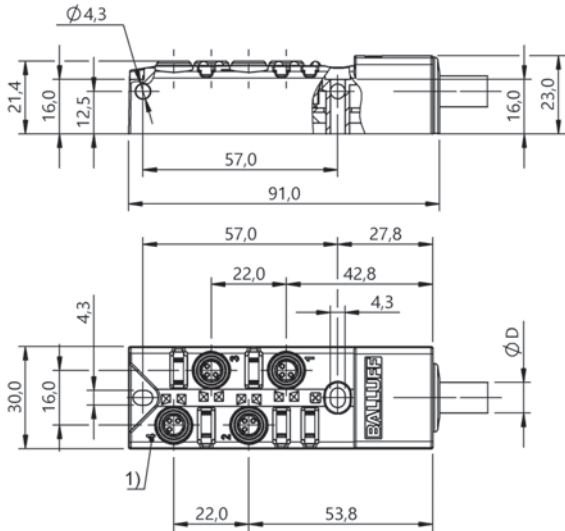
BPI 8M4 ...	BPI XXX ...	BPI XXX ...
Hood	Hood with cable for base module without hood	Hood without cable for base module without hood
M12, 8x	8-way	Universal
30 V DC	–	–
4 A	–	–
8 A	–	–
IP67	–	–
–25...+80 °C	–	–
BPI 8M4A4P-2K-00-TP0E	–	–
BPI 8M4A5P-2K-00-TP0N	–	–
–	BPI T00E-K-00-KPXB0①-__②	–
–	BPI T00N-K-00-KPXL0①-__②	–
–	BPI T00N-K-00-KPXN0①-__②	–
–	–	BPI T0SN-K-00
CE, EAC	CE, EAC	CE, EAC
288	288	288

①	Material	Color	Number of conductors x conductor cross-section	Cable temperature fixed in place	Cable temperature flexed
KPX70	PUR	Black	3 x 1.0 mm <sup>2</sup> 4 x 0.34 mm <sup>2</sup>	–25...+80 °C	–5...+80 °C
KPXB0	PUR	Black	3 x 1.0 mm <sup>2</sup> 8 x 0.34 mm <sup>2</sup>	–25...+80 °C	–5...+80 °C
KPXL0	PUR	Black	3 x 1.0 mm <sup>2</sup> 19 x 0.34 mm <sup>2</sup>	–25...+80 °C	–5...+80 °C
KPXD0	PUR	Black	5 x 1.0 mm <sup>2</sup> 8 x 0.34 mm <sup>2</sup>	–25...+80 °C	–5...+80 °C
KPXN0	PUR	Black	5 x 1.0 mm <sup>2</sup> 19 x 0.34 mm <sup>2</sup>	–25...+80 °C	–5...+80 °C

②	Cable length
030	3 m
050	5 m
100	10 m
150	15 m

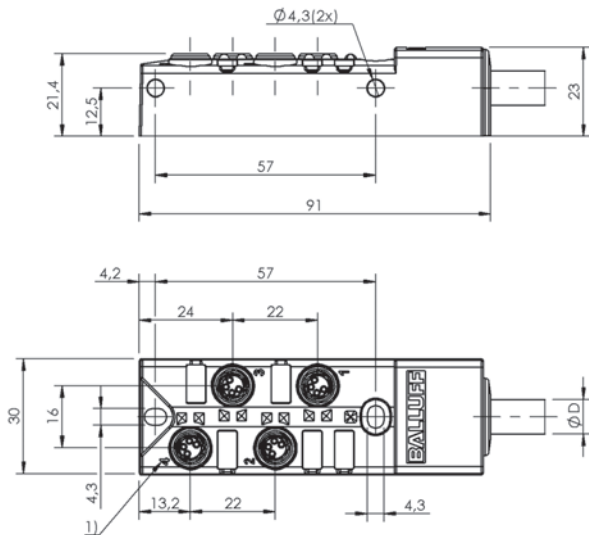
Other cable lengths on request!

278 | Connectivity | Junction Blocks



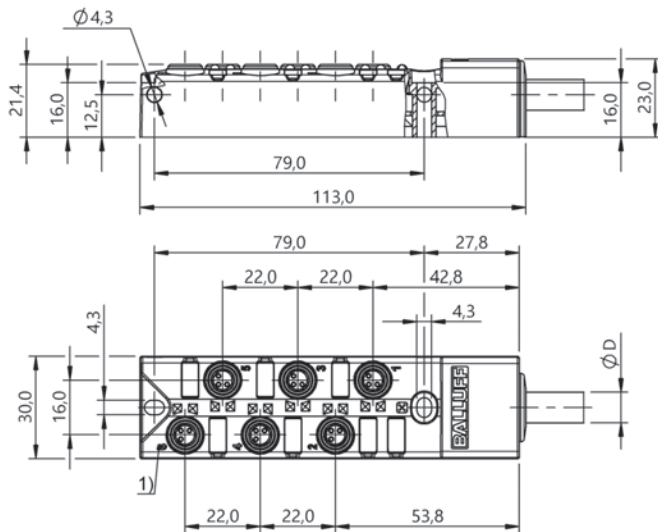
1) Slot numbering

- BPI 4M3030-5K-B0-KPX60-...**
- BPI 4M303P-5K-B0-KPX60-...**
- BPI 4M303N-5K-B0-KPX60-...**



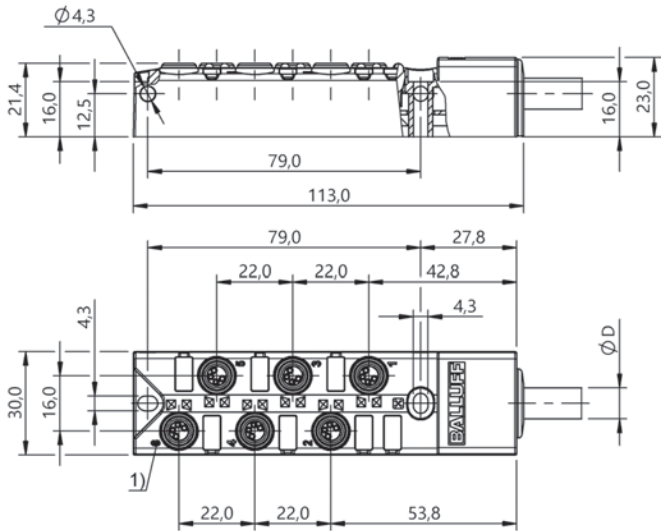
1) Slot numbering

- BPI 4M3040-5K-B0-KPXA0-...**
- BPI 4M304P-5K-B0-KPXA0-...**
- BPI 4M304N-5K-B0-KPXA0-...**



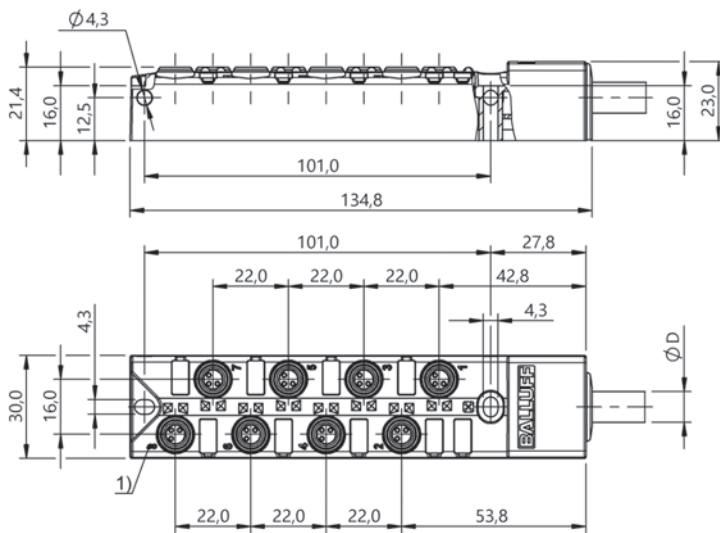
1) Slot numbering

- BPI 6M3030-5K-B0-KPX80-...**
- BPI 6M303P-5K-B0-KPX80-...**
- BPI 6M303N-5K-B0-KPX80-...**



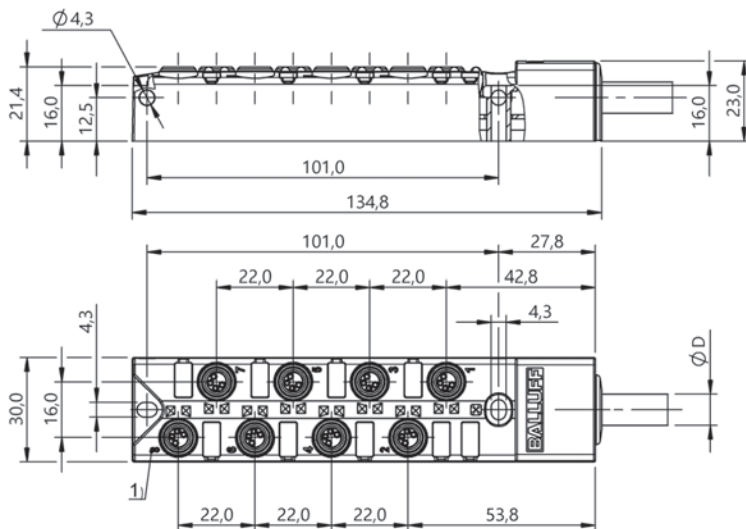
1) Slot numbering

- BPI 6M3040-5K-B0-KPXEO-...**
- BPI 6M304P-5K-B0-KPXEO-...**
- BPI 6M304N-5K-B0-KPXEO-...**



1) Slot numbering

- BPI 8M3030-5K-B0-KPXA0-...**
- BPI 8M303P-5K-B0-KPXA0-...**
- BPI 8M303N-5K-B0-KPXA0-...**

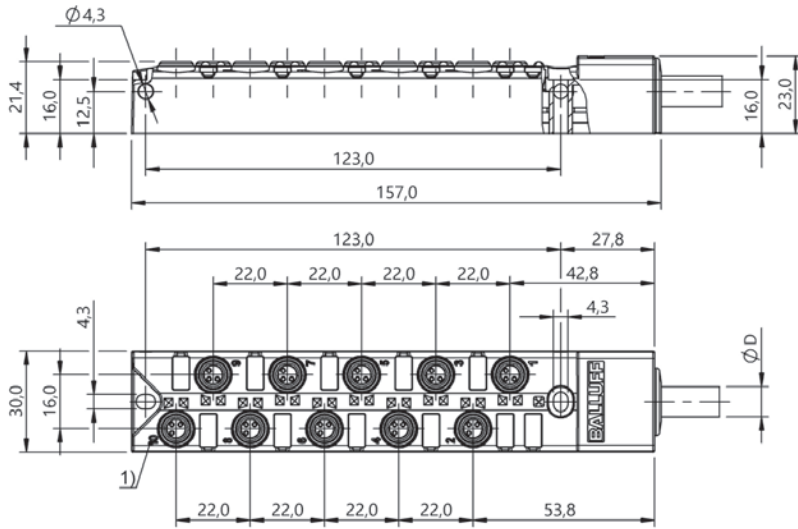


1) Slot numbering

- BPI 8M3040-5K-B0-KPXXK0-...**
- BPI 8M304P-5K-B0-KPXXK0-...**
- BPI 8M304N-5K-B0-KPXXK0-...**

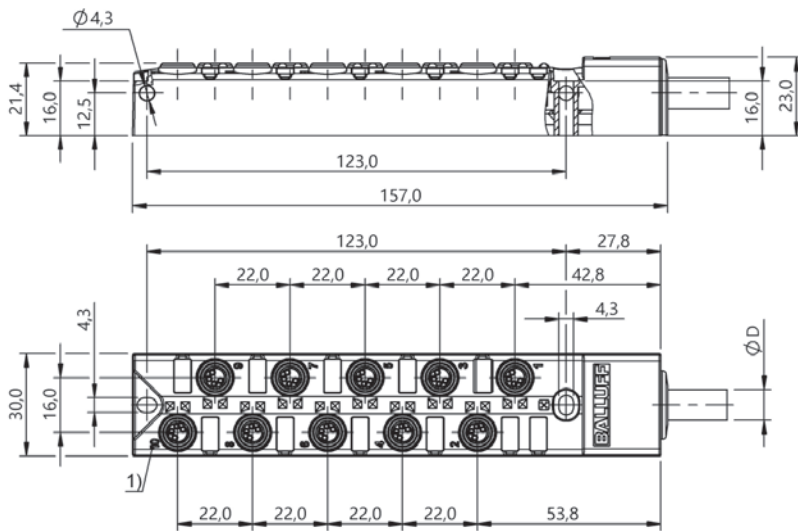


280 | Connectivity | Junction Blocks



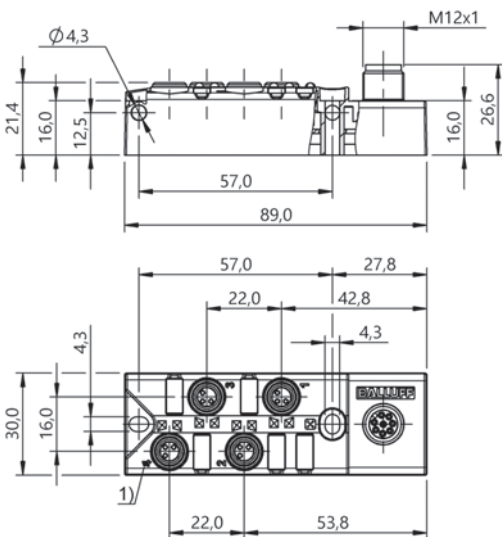
1) Slot numbering

**BPI AM3030-5K-B0-KPXC0-...**  
**BPI AM303P-5K-B0-KPXC0-...**  
**BPI AM303N-5K-B0-KPXC0-...**



1) Slot numbering

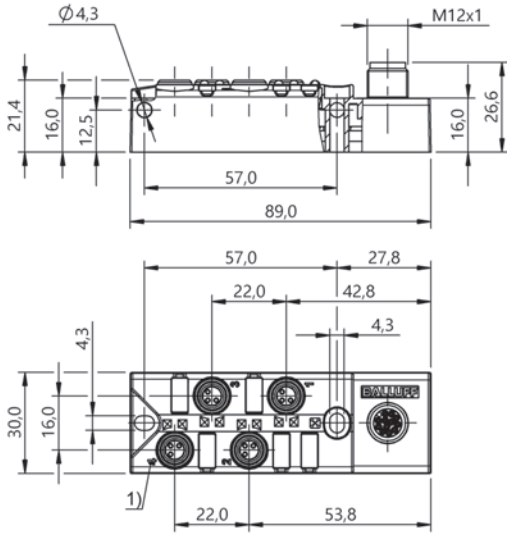
**BPI AM3040-5K-B0-KPXP0-...**  
**BPI AM304P-5K-B0-KPXP0-...**  
**BPI AM304N-5K-B0-KPXP0-...**



1) Slot numbering

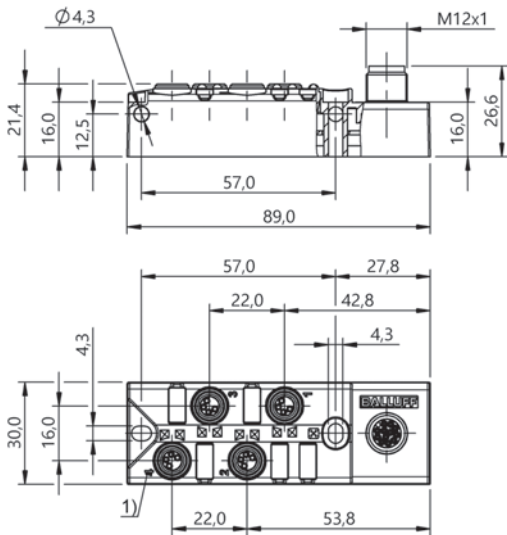
**BPI 4M3030-5K-B0-SM48T**  
**BPI 4M303P-5K-B0-SM48T**  
**BPI 4M303N-5K-B0-SM48T**





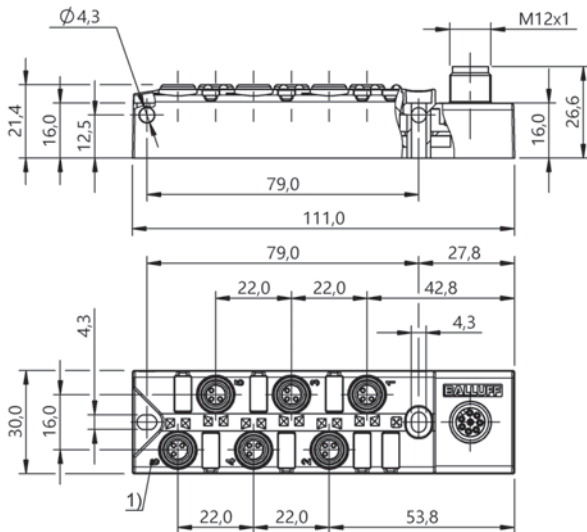
1) Slot numbering

- BPI 4M3030-5K-B0-SM4CT**
- BPI 4M303P-5K-B0-SM4CT**
- BPI 4M303N-5K-B0-SM4CT**



1) Slot numbering

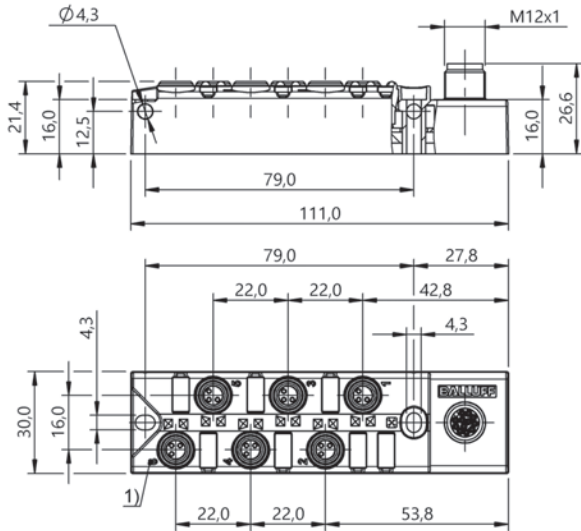
- BPI 4M3040-5K-B0-SM4CT**
- BPI 4M304P-5K-B0-SM4CT**
- BPI 4M304N-5K-B0-SM4CT**



1) Slot numbering

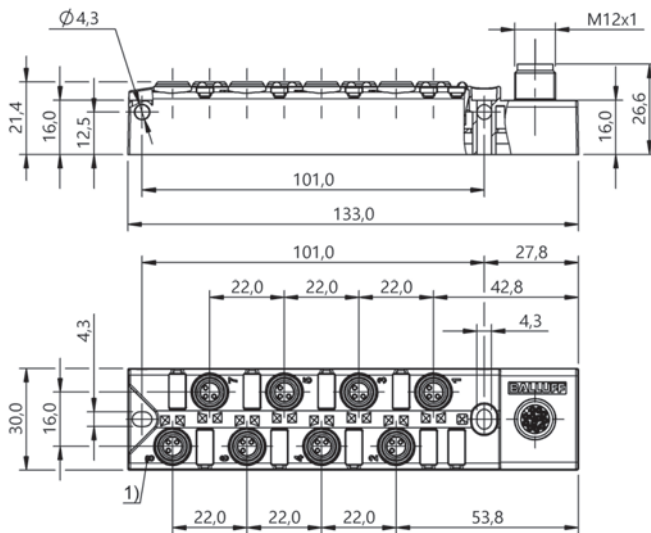
- BPI 6M3030-5K-B0-SM48T**
- BPI 6M303P-5K-B0-SM48T**
- BPI 6M303N-5K-B0-SM48T**

282 | Connectivity | Junction Blocks



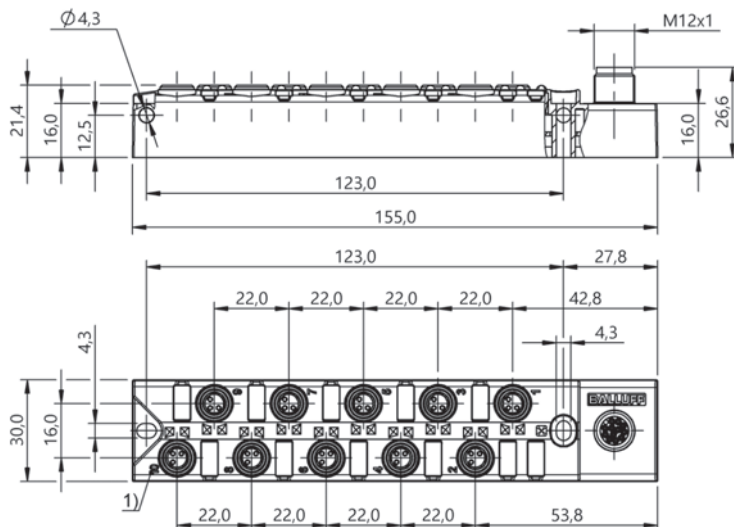
1) Slot numbering

**BPI 6M3030-5K-B0-SM4CT**  
**BPI 6M303P-5K-B0-SM4CT**  
**BPI 6M303N-5K-B0-SM4CT**



1) Slot numbering

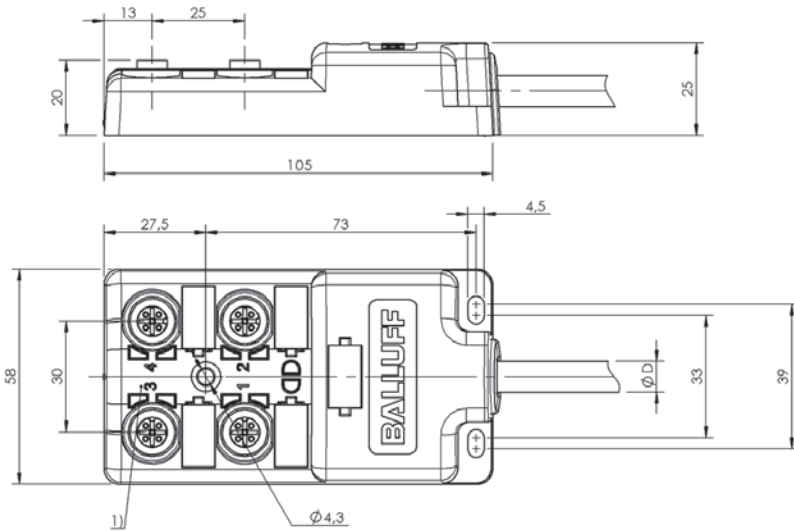
**BPI 8M3030-5K-B0-SM4CT**  
**BPI 8M303P-5K-B0-SM4CT**  
**BPI 8M303N-5K-B0-SM4CT**



1) Slot numbering

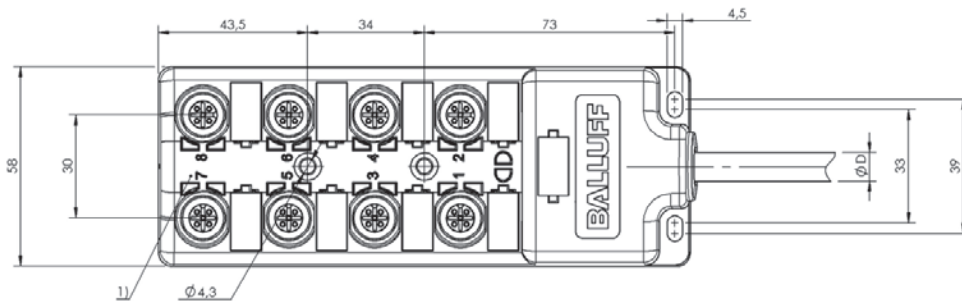
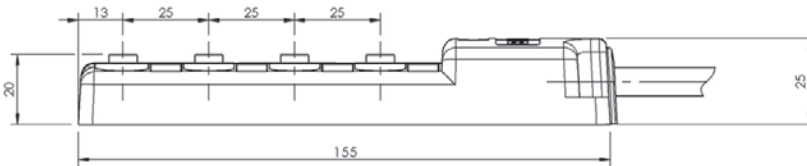
**BPI AM3030-5K-B0-SM4CT**  
**BPI AM303P-5K-B0-SM4CT**  
**BPI AM303N-5K-B0-SM4CT**





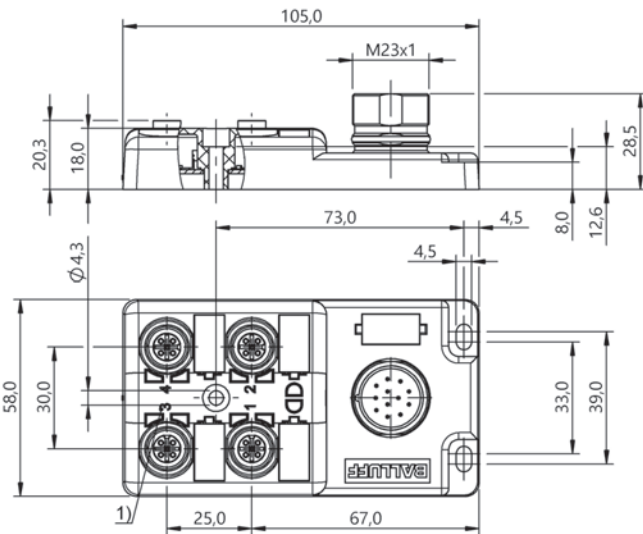
1) Slot numbering

- |                                   |                                   |
|-----------------------------------|-----------------------------------|
| <b>BPI 4M4A40-2K-B0-KPX70-...</b> | <b>BPI 4M4A50-2K-B0-KPX80-...</b> |
| <b>BPI 4M4A4P-2K-B0-KPX70-...</b> | <b>BPI 4M4A5P-2K-B0-KPX80-...</b> |
| <b>BPI 4M4A4N-2K-B0-KPX70-...</b> | <b>BPI 4M4A5N-2K-B0-KPX80-...</b> |



1) Slot numbering

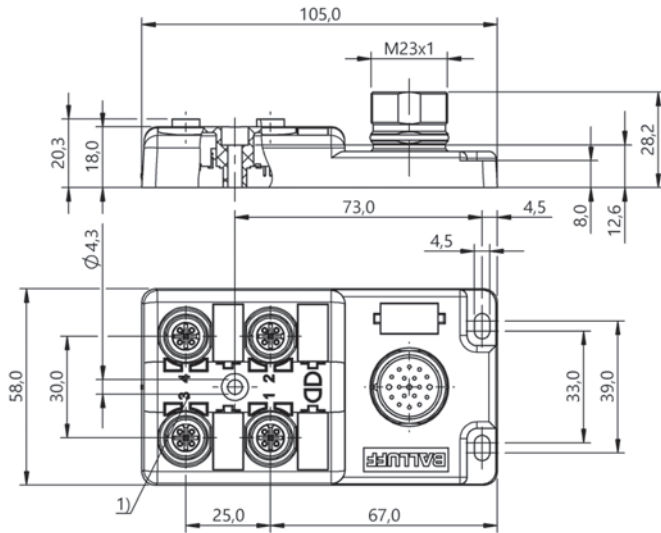
- |                                   |                                   |
|-----------------------------------|-----------------------------------|
| <b>BPI 8M4A40-2K-B0-KPX80-...</b> | <b>BPI 8M4A50-2K-B0-KPX90-...</b> |
| <b>BPI 8M4A4P-2K-B0-KPX80-...</b> | <b>BPI 8M4A5P-2K-B0-KPX90-...</b> |
| <b>BPI 8M4A4N-2K-B0-KPX80-...</b> | <b>BPI 8M4A5N-2K-B0-KPX90-...</b> |



1) Slot numbering

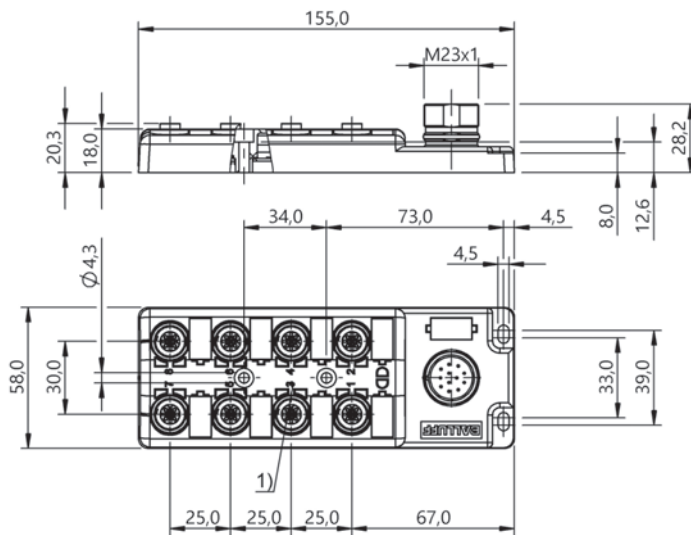
- |                               |
|-------------------------------|
| <b>BPI 4M4A40-2K-B0-SM6CT</b> |
| <b>BPI 4M4A4P-2K-B0-SM6CT</b> |
| <b>BPI 4M4A4N-2K-B0-SM6CT</b> |

284 | Connectivity | Junction Blocks



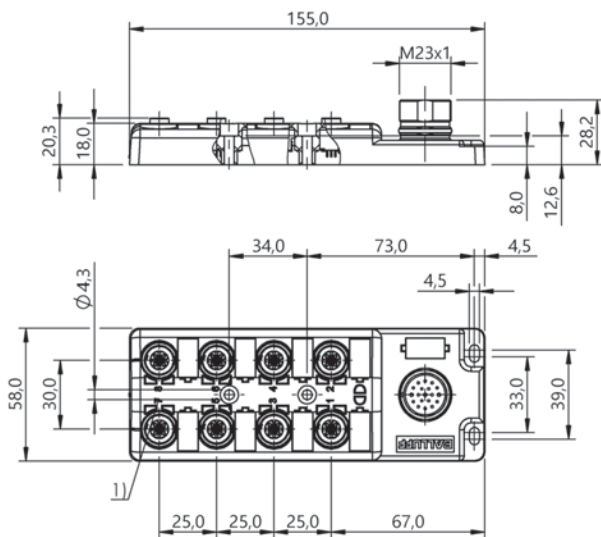
1) Slot numbering

- BPI 4M4A50-2K-B0-SM6LT**
- BPI 4M4A5P-2K-B0-SM6LT**
- BPI 4M4A5N-2K-B0-SM6LT**



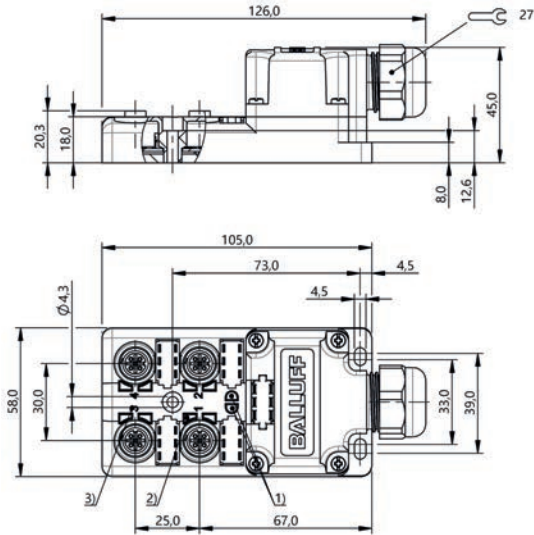
1) Slot numbering

- BPI 8M4A40-2K-B0-SM6CT**
- BPI 8M4A4P-2K-B0-SM6CT**
- BPI 8M4A4N-2K-B0-SM6CT**



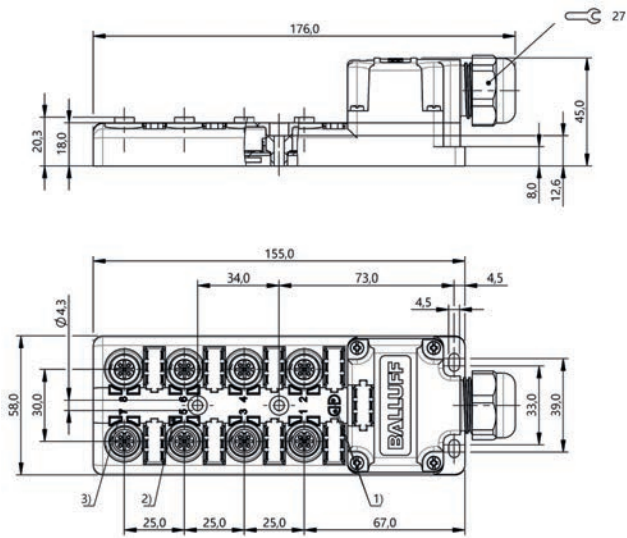
1) Slot numbering

- BPI 8M4A50-2K-B0-SM6LT**
- BPI 8M4A5P-2K-B0-SM6LT**
- BPI 8M4A5N-2K-B0-SM6LT**



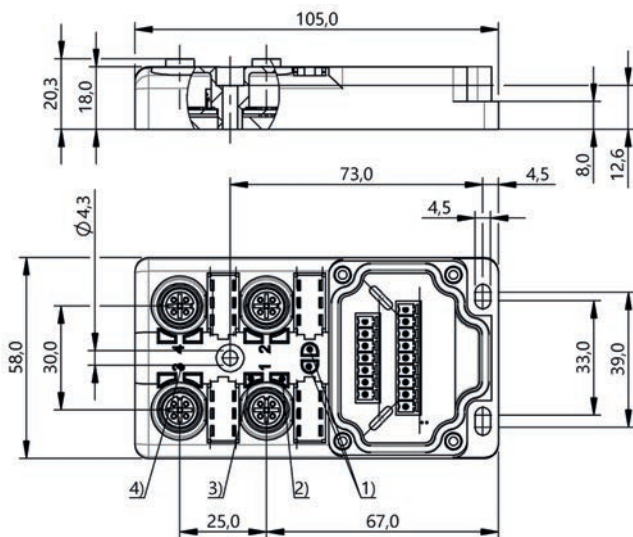
- 1) Power indicator
- 2) LED yellow for S1 on PIN 4
- 3) Slot numbering

**BPI 4M4A4P-2K-00-TPS9**  
**BPI 4M4A5P-2K-00-TPSG**



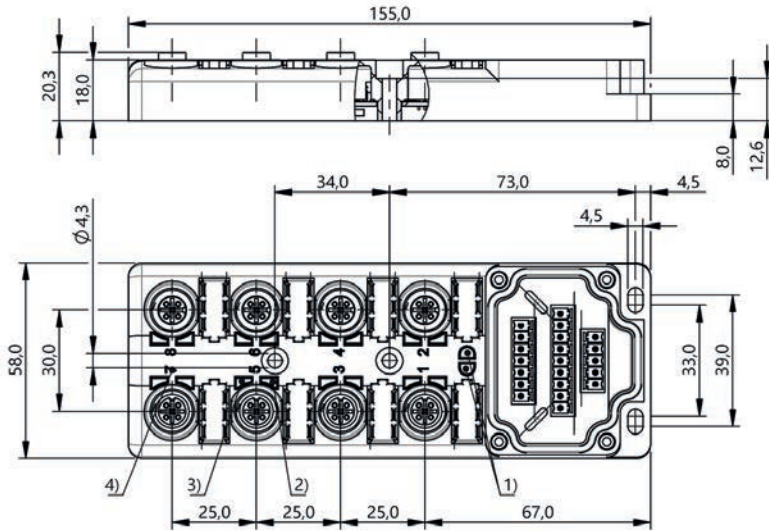
- 1) Power indicator
- 2) LED yellow for S1 on PIN 4
- 3) Slot numbering

**BPI 8M4A4P-2K-00-TPSE**  
**BPI 8M4A5P-2K-00-TPSN**



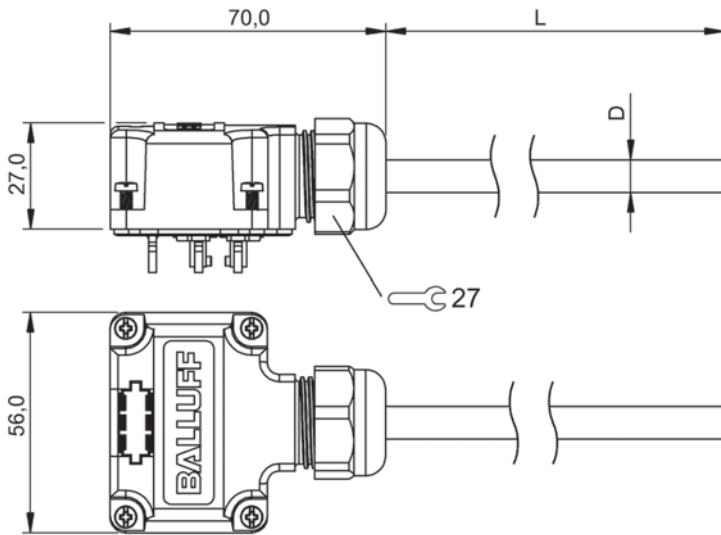
- 1) Power indicator
- 2) LED yellow for S1 on PIN 4
- 3) Slot numbering

**BPI 4M4A4P-2K-00-TP09**  
**BPI 4M4A5P-2K-00-TP0G**

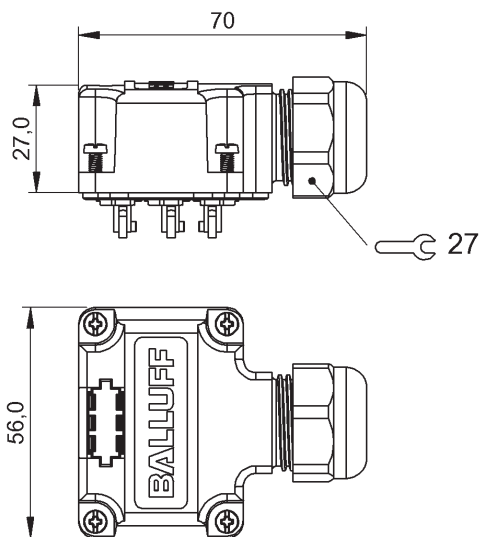


- 1) Power indicator
- 2) LED yellow for S1 on PIN 4
- 3) Slot numbering

**BPI 8M4A4P-2K-00-TPOE**  
**BPI 8M4A5P-2K-00-TPON**



**BPI T009-K-00-KPX70-...**      **BPI T00E-K-00-KPX80-...**  
**BPI T00G-K-00-KPX80-...**      **BPI T00N-K-00-KPXLO-...**  
**BPI T00G-K-00-KPXD0-...**      **BPI T00N-K-00-KPXNO-...**



**BPI T0SN-K-00**





Connectivity

# BASICS AND GLOSSARY





ausst. Diese  
ell im Nennbereich

Accessories

**Connectivity**

Power Supplies

Industrial Networking

Safety

Systems

Human Machine  
Interfaces

Machine Vision and  
Optical Identification

RFID

Sensors

<b>Connection</b>	Indication of the form factor, coding and plug type
<b>Wire fastening</b>	How the connection of the leads in the plug is accomplished
<b>Rated voltage</b>	The maximum value of the electrical voltage in normal operation
<b>Rated current</b>	The electrical amperage which is assigned to an electrical device for a specified operating condition
<b>Power-on indicator</b>	Function indicator
<b>Piercing technology</b>	Piercing technology is a contact method where piercing connectors penetrate the insulation, move between the wires of the cable, and thus establish a secure contact with the cable
<b>HDC cables</b>	Cables for special applications, e.g. welding areas
<b>Cable break</b>	Interruption of the cable between the device and the controller due to mechanical damage
<b>Cross-section</b>	Cross-section of the cable, e.g. copper in mm <sup>2</sup> or AWG (American Wire Gauge)
<b>Solder connections</b>	Connection technique in which the conductor and connector are soldered together
<b>Insulation displacement connection technology</b>	Connection technique in which the conductor and connector are connected by means of a displacement contact through the wire insulation
<b>Screw terminals</b>	Connection technique in which the conductor and connector are connector by means of a clamp

