



Process security written large

# FLOW SENSORS



Flow sensors let you measure and monitor the flow of process media in a wide range of applications. For example the lubricant flow or reliable circulation of cooling water. Now you can detect a pump failure early and prevent an unplanned machine or even system stop.

This is how flow sensors as well as pressure or temperature sensors contribute to process security.



	<b>BFF0004</b> BFF T7031-HA002-R03A0A-S4	<b>BFF0006</b> BFF T7040-JA002-R03A0A-S4	
Working range	1...150 cm/s aqueous media, 3...300 cm/s oil	1...150 cm/s aqueous media, 3...300 cm/s oil	
Operating voltage $U_b$	—	—	
Switching output	—	—	
Connection	Connector, M12x1 connector, 4-pin	Connector, M12x1 connector, 4-pin	
Installation length from contact surface	31 mm	40 mm	
Inside diameter	—	—	
Process connection	G 1/2" outer	NPT 1/2" outer	
Process connection material	Stainless steel (1.4571)	Stainless steel (1.4571)	
Gasket, material	AFM 34	—	
Housing material	Stainless steel (1.4571)	Stainless steel (1.4571)	
Media temperature	-20...80 °C	-20...80 °C	
Pressure rating max.	100 bar	100 bar	
Ambient temperature	-20...80 °C	-20...80 °C	
Protection degree	IP67	IP67	
Approval/Conformity	CE	CE	
Additional text	Required accessories: Signal converter BAE00ZZ	Required accessories: Signal converter BAE00ZZ	
Productview	Page 398	Page 398	



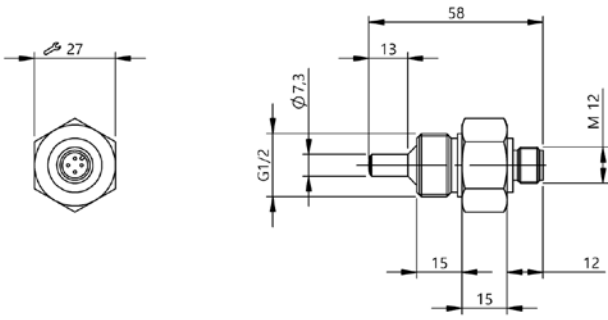
	<b>BFF0005</b> BFF T7048-HA002-R03A0A-S4	<b>BFF0001</b> BFF T7031-HA001-D06A2A-S4	<b>BFF0003</b> BFF T7040-JA001-D06A2A-S4	<b>BFF0002</b> BFF T7048-HA001-D06A2A-S4
	1...150 cm/s aqueous media, 3...300 cm/s oil	1...150 cm/s aqueous media, 3...300 cm/s oil	1...150 cm/s aqueous media, 3...300 cm/s oil	1...150 cm/s aqueous media, 3...300 cm/s oil
	—	20...28 VDC	20...28 VDC	20...28 VDC
	—	PNP	PNP	PNP
	Connector, M12x1 connector, 4-pin	Connector, M12x1 connector, 4-pin	Connector, M12x1 connector, 4-pin	Connector, M12x1 connector, 4-pin
	48 mm	31 mm	40 mm	48 mm
	—	—	—	—
	G 1/2" outer	G 1/2" outer	NPT 1/2" outer	G 1/2" outer
	Stainless steel (1.4571)	Stainless steel (1.4571)	Stainless steel (1.4571)	Stainless steel (1.4571)
	AFM 34	AFM 34	—	AFM 34
	Stainless steel (1.4571)	Stainless steel (1.4571) Stainless steel (1.4305)	Stainless steel (1.4571) Stainless steel (1.4305)	Stainless steel (1.4571) Stainless steel (1.4305)
	-20...80 °C	-20...80 °C	-20...80 °C	-20...80 °C
	100 bar	100 bar	100 bar	100 bar
	-20...80 °C	-20...80 °C	-20...80 °C	-20...80 °C
	IP67	IP67	IP67	IP67
	CE	CE, cULus	CE, cULus	CE, cULus
	Required accessories: Signal converter BAE00ZZ	—	—	—
	Page 398	Page 398	Page 398	Page 398



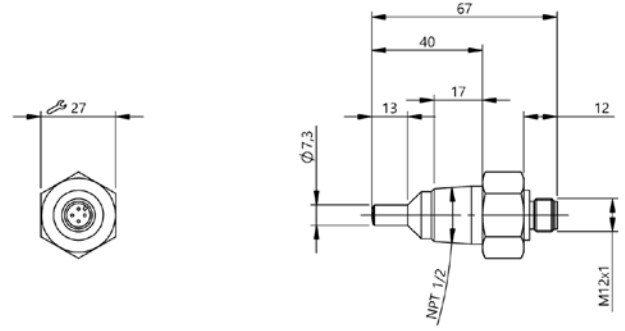
	<b>BFF000A</b> BFF TX006-DA004-D00A2C-S4	<b>BFF0008</b> BFF TX010-HA004-D00A2C-S4	
Working range	0.1...2 l/min water	1...10 l/min aqueous media	
Operating voltage $U_b$	22...26 VDC	22...26 VDC	
Switching output	2x PNP normally open/normally closed (NO/NC)	2x PNP normally open/normally closed (NO/NC)	
Connection	Connector, M12x1 connector, 4-pin	Connector, M12x1 connector, 4-pin	
Installation length from contact surface	—	—	
Inside diameter	6 mm	10 mm	
Process connection	G 1/4" outer	G 1/2" outer	
Process connection material	Stainless steel (1.4571)	Stainless steel (1.4571)	
Gasket, material	AFM 34	AFM 34	
Housing material	PBT	PBT	
Media temperature	0...60 °C	-10...80 °C	
Pressure rating max.	10 bar	20 bar	
Ambient temperature	0...60 °C	0...60 °C	
Protection degree	IP54	IP54	
Approval/Conformity	CE	CE	
Additional text	—	—	
Productview	Page 398	Page 398	



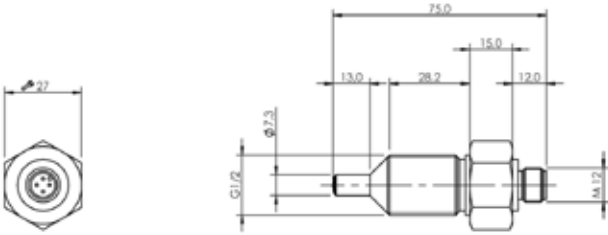
	<b>BFF0009</b> BFF TX015-HA004-D00A2C-S4	<b>BFF0007</b> BFF TX015-HA003-D06A2A-S4		
	1...20 l/min aqueous media	2...25 l/min aqueous media		
	22...26 VDC	20...28 VDC		
	2x PNP normally open/normally closed (NO/NC)	PNP		
	Connector, M12x1 connector, 4-pin	Connector, M12x1 connector, 4-pin		
	—	—		
	15 mm	15 mm		
	G 1/2" outer	G 1/2" outer		
	Stainless steel (1.4571)	Stainless steel (1.4571)		
	AFM 34	AFM 34		
	PBT	PBT		
	-10...80 °C	0...80 °C		
	20 bar	20 bar		
	0...60 °C	0...60 °C		
	IP54	IP67		
	CE	CE, cULus		
	—	—		
	Page 398	Page 398		



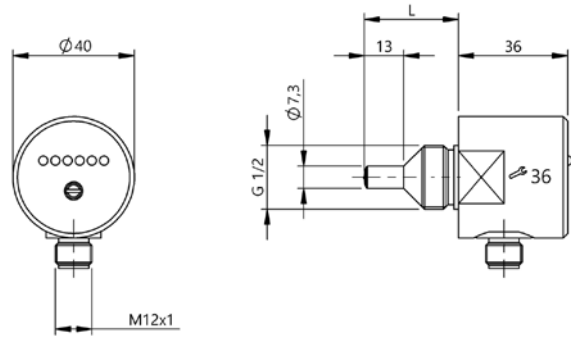
BFF0004



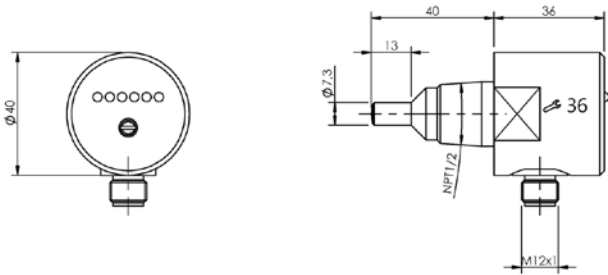
BFF0006



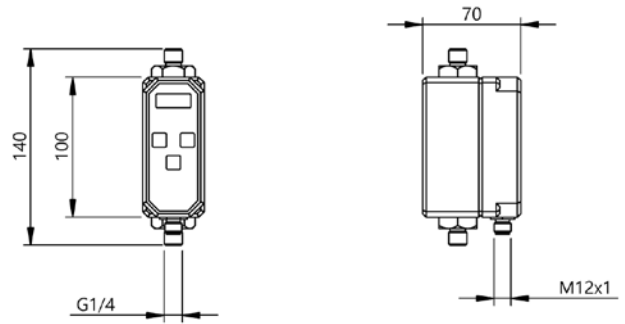
BFF0005



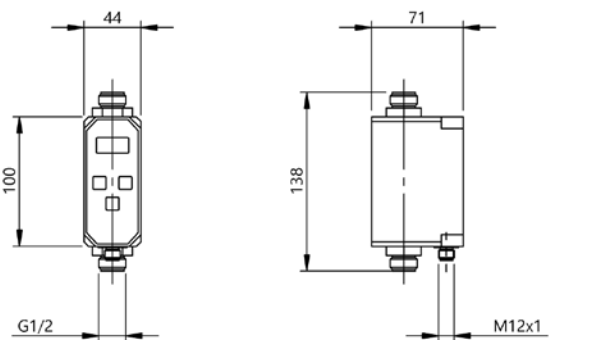
BFF0001, BFF0002



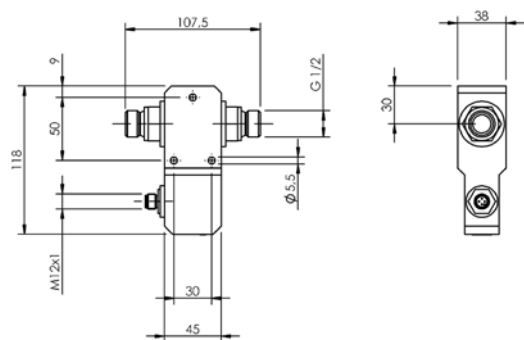
BFF0003



BFF0000A



BFF0008, BFF0009



BFF0007

