

Reliably detect and measure hot objects

TEMPERATURE SENSORS

With temperature sensors, you can measure and monitor temperatures by contact or contactlessly in a wide range of applications.

The most important benefits

- Rugged M30 stainless steel housing with IP67 protection
- Temperature range 250...1250 °C
- Numerous functions and settings using the IO-Link interface

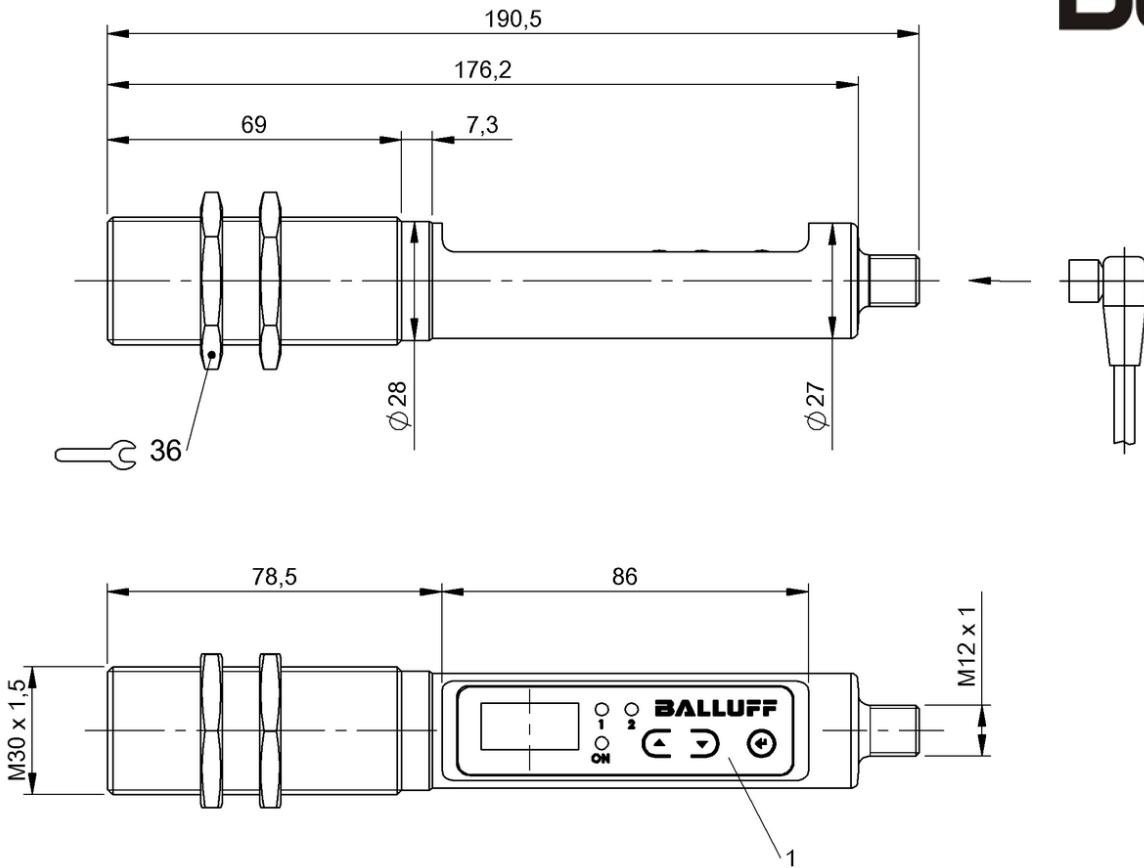




	BTS0003 BTS M30E0-PSB-H0001-S04G	
Measuring range	250...1250 °C	
Temperature resolution	1 °C, 1 °F, 1 %	
Reproducibility	±1 °C	
Wave length	1200...1700 nm	
Distance ratio	50:1	
Dimension	Ø 30 x 190 mm	
Connection	M12x1 connector, 4-pin	
Operating voltage U _b	10...30 VDC	
Analog output	Analog, current 4...20 mA	
Switching output	PNP normally open/normally closed (NO/NC)	
Interface	—	
Material sensing surface	Borosilicate crown glass (N-BK7), coated	
Housing material	Stainless steel, stainless steel (1.4404) Black anodized aluminum, aluminum (3.3206)	
Protection degree	IP65, IP67	
Ambient temperature	-5...65 °C	
Productview	Page 366	



BTS0002 BTS M30E0-UUI-H0001-S04G	
250...1250 °C	
1 °C, 1 °F, 1 %	
±1 °C	
1200...1700 nm	
50:1	
Ø 30 x 190 mm	
M12x1 connector, 4-pin	
10...30 VDC	
—	
2x PNP normally open/normally closed (NO/NC)	
IO-Link 1.1	
Borosilicate crown glass (N-BK7), coated	
Stainless steel (1.4404), stainless steel (1.4404) Black anodized aluminum, aluminum (3.3206)	
IP65, IP67	
-5...65 °C	
Page 366	



1) Display and control panel

BTS0003, BTS0002



	BFT0015 BFT 6025-HV003-A00A0C-S4	BFT0012 BFT 6025-HV003-A02A0C-S4	BFT001H BFT 6025-HV003-D00A0C-S4	
Measuring range	-20...80 °C	-20...80 °C	-20...80 °C	
Measuring element	Pt1000	Pt1000	Pt1000	
Operating voltage U _b	15...35 VDC	15...35 VDC	15...35 VDC	
Analog output	Analog, voltage 0...10 V	Analog, current 4...20 mA	—	
Switching output	PNP	PNP	2x PNP	
Connection	Connector, M12x1 connector, 4-pin	Connector, M12x1 connector, 4-pin	Connector, M12x1 connector, 4-pin	
Installation length from contact surface	25 mm	25 mm	25 mm	
Process connection	G 1/2" outer	G 1/2" outer	G 1/2" outer	
Process connection material	Stainless steel (1.4571)	Stainless steel (1.4571)	Stainless steel (1.4571)	
Gasket, material	Fluoroelastomer	Fluoroelastomer	Fluoroelastomer	
Housing material	PC/ABS TPE-E, PC, stainless steel (1.4301)	PC/ABS TPE-E, PC, stainless steel (1.4301)	PC/ABS TPE-E, PC, stainless steel (1.4301)	
Pressure rating max.	150 bar	150 bar	150 bar	
Ambient temperature	-20...80 °C	-20...80 °C	-20...80 °C	
Protection degree	IP65, IP67	IP65, IP67	IP65, IP67	
Approval/Conformity	CE, cULus	CE, cULus	CE, cULus	
Productview	Page 376	Page 376	Page 376	



	BFT001C BFT 6025-JC003-A00A0C-S4	BFT0018 BFT 6025-JC003-A02A0C-S4	BFT001L BFT 6025-JC003-D00A0C-S4	BFT0016 BFT 6050-HV003-A00A0C-S4	BFT0013 BFT 6050-HV003-A02A0C-S4
	-20...80 °C	-20...80 °C	-20...80 °C	-20...80 °C	-20...80 °C
	Pt1000	Pt1000	Pt1000	Pt1000	Pt1000
	15...35 VDC	15...35 VDC	15...35 VDC	15...35 VDC	15...35 VDC
	Analog, voltage 0...10 V	Analog, current 4...20 mA	—	Analog, voltage 0...10 V	Analog, current 4...20 mA
	PNP	PNP	2x PNP	PNP	PNP
	Connector, M12x1 connector, 4-pin	Connector, M12x1 connector, 4-pin	Connector, M12x1 connector, 4-pin	Connector, M12x1 connector, 4-pin	Connector, M12x1 connector, 4-pin
	25 mm	25 mm	25 mm	50 mm	50 mm
	NPT 1/2" outer	NPT 1/2" outer	NPT 1/2" outer	G 1/2" outer	G 1/2" outer
	Stainless steel (1.4571)	Stainless steel (1.4571)	Stainless steel (1.4571)	Stainless steel (1.4571)	Stainless steel (1.4571)
	—	—	—	Fluoroelastomer	Fluoroelastomer
	PC/ABS TPE-E, PC, stainless steel (1.4301)	PC/ABS TPE-E, PC, stainless steel (1.4301)	PC/ABS TPE-E, PC, stainless steel (1.4301)	PC/ABS TPE-E, PC, stainless steel (1.4301)	PC/ABS TPE-E, PC, stainless steel (1.4301)
	150 bar	150 bar	150 bar	150 bar	150 bar
	-20...80 °C	-20...80 °C	-20...80 °C	-20...80 °C	-20...80 °C
	IP65, IP67	IP65, IP67	IP65, IP67	IP65, IP67	IP65, IP67
	CE, cULus	CE, cULus	CE, cULus	CE, cULus	CE, cULus
	Page 376	Page 376	Page 376	Page 376	Page 376

Sensors

RFID

Machine Vision and Optical Identification

Human Machine Interfaces

Systems

Safety

Industrial Networking

Power Supply

Connectivity

Accessories



	BFT001J BFT 6050-HV003-D00A0C-S4	BFT001E BFT 6050-JC003-A00A0C-S4	BFT0019 BFT 6050-JC003-A02A0C-S4	
Measuring range	-20...80 °C	-20...80 °C	-20...80 °C	
Measuring element	Pt1000	Pt1000	Pt1000	
Operating voltage U _b	15...35 VDC	15...35 VDC	15...35 VDC	
Analog output	—	Analog, voltage 0...10 V	Analog, current 4...20 mA	
Switching output	2x PNP	PNP	PNP	
Connection	Connector, M12x1 connector, 4-pin	Connector, M12x1 connector, 4-pin	Connector, M12x1 connector, 4-pin	
Installation length from contact surface	50 mm	50 mm	50 mm	
Process connection	G 1/2" outer	NPT 1/2" outer	NPT 1/2" outer	
Process connection material	Stainless steel (1.4571)	Stainless steel (1.4571)	Stainless steel (1.4571)	
Gasket, material	Fluoroelastomer	—	—	
Housing material	PC/ABS TPE-E, PC, stainless steel (1.4301)	PC/ABS TPE-E, PC, stainless steel (1.4301)	PC/ABS TPE-E, PC, stainless steel (1.4301)	
Pressure rating max.	150 bar	150 bar	150 bar	
Ambient temperature	-20...80 °C	-20...80 °C	-20...80 °C	
Protection degree	IP65, IP67	IP65, IP67	IP65, IP67	
Approval/Conformity	CE, cULus	CE, cULus	CE, cULus	
Productview	Page 376	Page 376	Page 376	



	BFT001M BFT 6050-JC003-D00A0C-S4	BFT0017 BFT 6100-HV003-A00A0C-S4	BFT0014 BFT 6100-HV003-A02A0C-S4	BFT001K BFT 6100-HV003-D00A0C-S4	BFT001F BFT 6100-JC003-A00A0C-S4
	-20...80 °C	-20...80 °C	-20...80 °C	-20...80 °C	-20...80 °C
	Pt1000	Pt1000	Pt1000	Pt1000	Pt1000
	15...35 VDC	15...35 VDC	15...35 VDC	15...35 VDC	15...35 VDC
	—	Analog, voltage 0...10 V	Analog, current 4...20 mA	—	Analog, voltage 0...10 V
	2x PNP	PNP	PNP	2x PNP	PNP
	Connector, M12x1 connector, 4-pin	Connector, M12x1 connector, 4-pin	Connector, M12x1 connector, 4-pin	Connector, M12x1 connector, 4-pin	Connector, M12x1 connector, 4-pin
	50 mm	100 mm	100 mm	100 mm	100 mm
	NPT 1/2" outer	G 1/2" outer	G 1/2" outer	G 1/2" outer	NPT 1/2" outer
	Stainless steel (1.4571)	Stainless steel (1.4571)	Stainless steel (1.4571)	Stainless steel (1.4571)	Stainless steel (1.4571)
	—	Fluoroelastomer	Fluoroelastomer	Fluoroelastomer	—
	PC/ABS TPE-E, PC, stainless steel (1.4301)	PC/ABS TPE-E, PC, stainless steel (1.4301)	PC/ABS TPE-E, PC, stainless steel (1.4301)	PC/ABS TPE-E, PC, stainless steel (1.4301)	PC/ABS TPE-E, PC, stainless steel (1.4301)
	150 bar	150 bar	150 bar	150 bar	150 bar
	-20...80 °C	-20...80 °C	-20...80 °C	-20...80 °C	-20...80 °C
	IP65, IP67	IP65, IP67	IP65, IP67	IP65, IP67	IP65, IP67
	CE, cULus	CE, cULus	CE, cULus	CE, cULus	CE, cULus
	Page 376	Page 376	Page 376	Page 376	Page 376



	BFT001A BFT 6100-JC003-A02A0C-S4	BFT001N BFT 6100-JC003-D00A0C-S4	BFT0001 BFT 6025-DX001-R02A0A-S4	
Measuring range	-20...80 °C	-20...80 °C	-50...150 °C	
Measuring element	Pt1000	Pt1000	Pt1000	
Operating voltage U _b	15...35 VDC	15...35 VDC	—	
Analog output	Analog, current 4...20 mA	—	Analog, resistance	
Switching output	PNP	2x PNP	—	
Connection	Connector, M12x1 connector, 4-pin	Connector, M12x1 connector, 4-pin	Connector, M12x1 connector, 4-pin	
Installation length from contact surface	100 mm	100 mm	25 mm	
Process connection	NPT 1/2" outer	NPT 1/2" outer	G 1/4" outer	
Process connection material	Stainless steel (1.4571)	Stainless steel (1.4571)	Stainless steel (1.4305)	
Gasket, material	—	—	—	
Housing material	PC/ABS TPE-E, PC, stainless steel (1.4301)	PC/ABS TPE-E, PC, stainless steel (1.4301)	—	
Pressure rating max.	150 bar	150 bar	50 bar	
Ambient temperature	-20...80 °C	-20...80 °C	-40...100 °C	
Protection degree	IP65, IP67	IP65, IP67	IP66, IP67	
Approval/Conformity	CE, cULus	CE, cULus	CE	
Productview	Page 376	Page 376	Page 377	



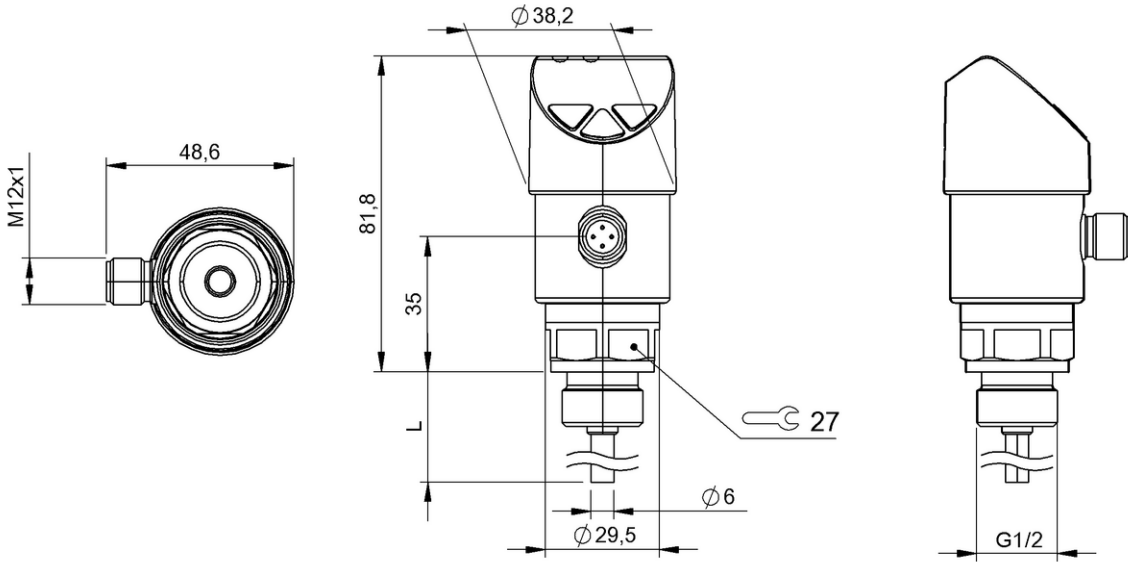
	BFT0003 BFT 6025-FC001-R02A0A-S4	BFT0002 BFT 6050-DX001-R02A0A-S4	BFT0004 BFT 6050-FC001-R02A0A-S4	BFT0005 BFT 6025-DX002-A06A1A-S4	BFT0008 BFT 6025-FC002-A06A1A-S4
	-50...150 °C	-50...150 °C	-50...150 °C	-30...150 °C	-30...150 °C
	Pt1000	Pt1000	Pt1000	Pt1000	Pt1000
	—	—	—	10...30 VDC	10...30 VDC
	Analog, resistance	Analog, resistance	Analog, resistance	Analog, current 4...20 mA	Analog, current 4...20 mA
	—	—	—	—	—
	Connector, M12x1 connector, 4-pin	Connector, M12x1 connector, 4-pin	Connector, M12x1 connector, 4-pin	Connector, M12x1 connector, 4-pin	Connector, M12x1 connector, 4-pin
	25 mm	50 mm	50 mm	25 mm	25 mm
	NPT 1/4" outer	G 1/4" outer	NPT 1/4" outer	G 1/4" outer	NPT 1/4" outer
	Stainless steel (1.4305)	Stainless steel (1.4305)	Stainless steel (1.4305)	Stainless steel (1.4571)	Stainless steel (1.4571)
	—	—	—	—	—
	—	—	—	Stainless steel (1.4571)	Stainless steel (1.4571)
	50 bar	50 bar	50 bar	270 bar	270 bar
	-40...100 °C	-40...100 °C	-40...100 °C	-40...85 °C	-40...85 °C
	IP66, IP67	IP66, IP67	IP66, IP67	IP67, IP69, IP69K	IP67, IP69, IP69K
	CE	CE	CE	CE, cULus	CE, cULus
	Page 377	Page 377	Page 377	Page 378	Page 378



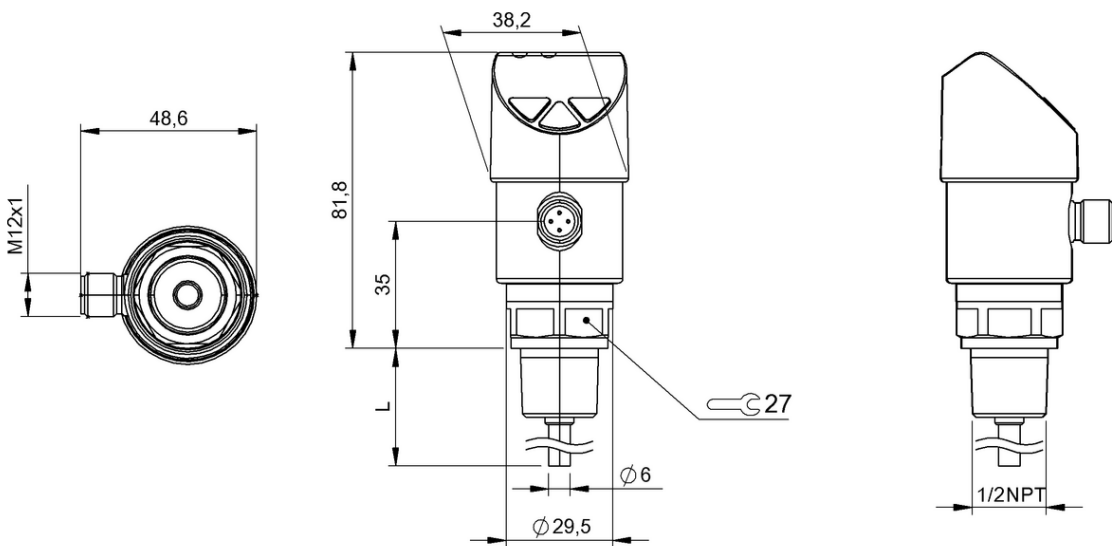
	BFT0006 BFT 6050-DX002-A06A1A-S4	BFT0009 BFT 6050-FC002-A06A1A-S4	BFT0007 BFT 6100-DX002-A06A1A-S4	
Measuring range	-30...150 °C	-30...150 °C	-30...150 °C	
Measuring element	Pt1000	Pt1000	Pt1000	
Operating voltage U_b	10...30 VDC	10...30 VDC	10...30 VDC	
Analog output	Analog, current 4...20 mA	Analog, current 4...20 mA	Analog, current 4...20 mA	
Switching output	—	—	—	
Connection	Connector, M12x1 connector, 4-pin	Connector, M12x1 connector, 4-pin	Connector, M12x1 connector, 4-pin	
Installation length from contact surface	50 mm	50 mm	100 mm	
Process connection	G 1/4" outer	NPT 1/4" outer	G 1/4" outer	
Process connection material	Stainless steel (1.4571)	Stainless steel (1.4571)	Stainless steel (1.4571)	
Gasket, material	—	—	—	
Housing material	Stainless steel (1.4571)	Stainless steel (1.4571)	Stainless steel (1.4571)	
Pressure rating max.	270 bar	270 bar	270 bar	
Ambient temperature	-40...85 °C	-40...85 °C	-40...85 °C	
Protection degree	IP67, IP69, IP69K	IP67, IP69, IP69K	IP67, IP69, IP69K	
Approval/Conformity	CE, cULus	CE, cULus	CE, cULus	
Productview	Page 378	Page 378	Page 378	



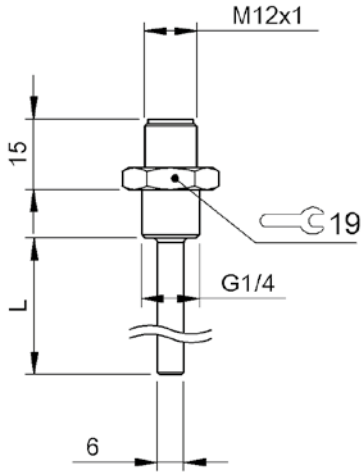
BFT000A BFT 6100-FC002-A06A1A-S4				
-30...150 °C				
Pt1000				
10...30 VDC				
Analog, current 4...20 mA				
—				
Connector, M12x1 connector, 4-pin				
100 mm				
NPT 1/4" outer				
Stainless steel (1.4571)				
—				
Stainless steel (1.4571)				
270 bar				
-40...85 °C				
IP67, IP69, IP69K				
CE, cULus				
Page 378				



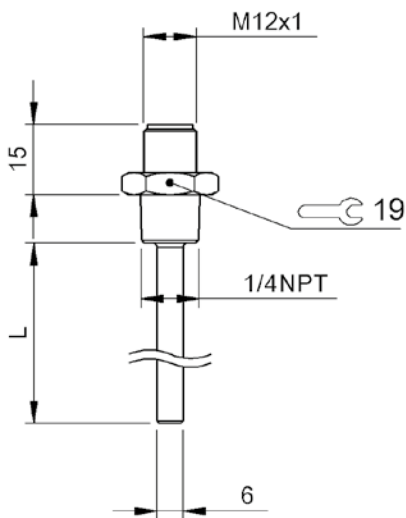
BFT0015, BFT0012, BFT001H, BFT0016, BFT0013, BFT001J, BFT0017, BFT0014, BFT001K



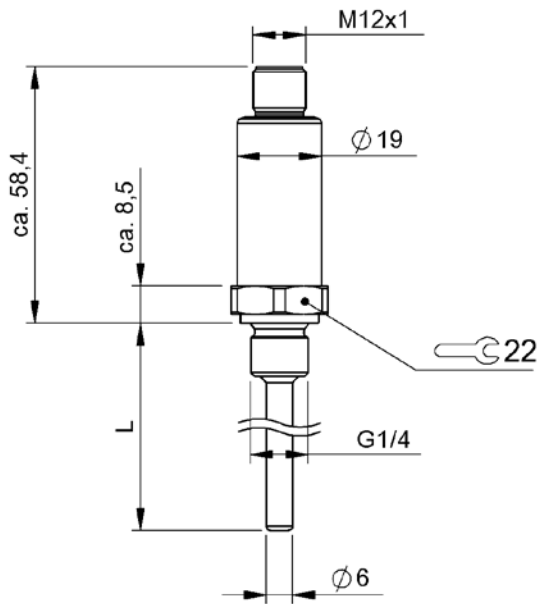
BFT001C, BFT0018, BFT001L, BFT001E, BFT0019, BFT001M, BFT001F, BFT001A, BFT001N



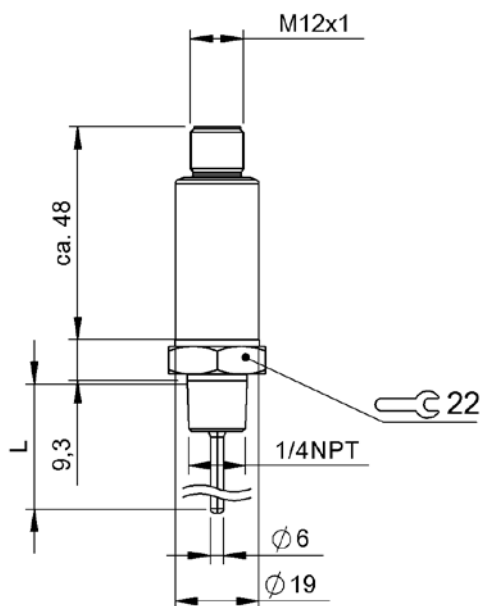
BFT0001, BFT0002



BFT0003, BFT0004



BFT0005, BFT0006, BFT0007



BFT0008, BFT0009, BFT000A

