



Sure position detection even at high speeds

MAGNETIC FIELD SENSORS



Our magnetic field sensors are used chiefly on cylinders and grippers for monitoring the piston position. The sensor thus recognizes the field of the magnet integrated into the piston through the actuator wall even at high travel speeds.

With their non-contact position detection the magnetic field sensors from Balluff work absolutely reliably and wear-free: no contact burn, no bouncing, just clean switching points.

The most important benefits

- Contact-free and therefore wear-free
- No double switching points
- Reliable even at high travel speeds



PNP normally open	BMF00LC BMF 235K-H-PI-C-A8-S4-00,3	BMF00L6 BMF 235K-H-PS-C-A2-S75-00,3	
PNP normally closed			
NPN normally open			
Dimension	23.5 x 6.2 x 5 mm	23.5 x 6.2 x 5 mm	
Connection	M12x1-Male, 4-pole, A-coded	M8x1 connector, 4-pin	
Cable	PUR, 0.30 m	PUR, 0.30 m	
Application	Pneumatic cylinder with T-slot. For dimensions, see sketch in product view.	Pneumatic cylinder with T-slot. For dimensions, see sketch in product view.	
Mounting	can be installed in T-slot from above	can be installed in T-slot from above	
Housing material	PA 12	PA 12	
Interface	IO-Link 1.1	—	
Switching frequency	—	—	
Operating voltage U_b	10...30 VDC	10...30 VDC	
Ambient temperature	-25...80 °C	-25...80 °C	
Magnetic field immune	—	—	
Protection degree	IP67	IP67	
Approval/Conformity	CE, IO-Link, cULus, DC, Code 81U2, EAC	cULus, DC, Code 81U2, EAC, CE	
Ex category	—	—	
Productview	Page 642	Page 642	



	BMF00C4 BMF 235K-PS-C-2A-SA2-S49-00,3	BMF00C5 BMF 235K-PS-C-2A-SA2-S4-00,3	BMF00FY BMF 235K-PS-C-2A-SA4-S4-00,3	BMF00H5 BMF 235K-PS-C-2A-SA93-S4-00,3
	BMF00C6 BMF 235K-PO-C-2A-SA2-S49-00,3			
	BMF00C2 BMF 235K-NS-C-2A-SA2-S49-00,3			
	23.5 x 5 x 5.5 mm	23.5 x 5 x 5.5 mm	23.5 x 5 x 5.5 mm	23.5 x 5 x 5.5 mm
	M8x1 connector, 3-pin	M12x1-Male, 4-pole, A-coded	M12x1-Male, 4-pole, A-coded	M12x1-Male, 4-pole, A-coded
	PUR, 0.30 m	PUR, 0.30 m	PUR with cable labeling grommet, 0.30 m	PUR with silicone tube, 0.30 m
	Pneumatic cylinder with T-slot. For dimensions, see sketch in product view.	Pneumatic cylinder with T-slot. For dimensions, see sketch in product view.	Pneumatic cylinder with T-slot. For dimensions, see sketch in product view.	Pneumatic cylinder with T-slot. For dimensions, see sketch in product view.
	can be installed in T-slot from above	can be installed in T-slot from above	can be installed in T-slot from above	can be installed in T-slot from above
	PA 12	PA 12	PA 12	PA 12
	—	—	—	—
	3000 Hz	3000 Hz	3000 Hz	3000 Hz
	10...30 VDC	10...30 VDC	10...30 VDC	10...30 VDC
	-25...85 °C	-25...85 °C	-25...85 °C	-25...85 °C
	—	—	—	—
	IP67	IP67	IP67	IP67
	cULus, CE	CE, cULus	CE, cULus	cULus, CE
	—	—	—	—
	Page 642	Page 642	Page 642	Page 642



	BMF00H3 BMF 235K-PS-C-2A-SA93-S49-00,3	BMF00CF BMF 235K-PS-C-2A-SA2-S49-00,5	
PNP normally open			
NPN normally open			
Dimension	23.5 x 5 x 5.5 mm	23.5 x 5 x 5.5 mm	
Connection	M8x1 connector, 3-pin	M8x1 connector, 3-pin	
Cable	PUR with silicone tube, 0.30 m	PUR, 0.50 m	
Application	Pneumatic cylinder with T-slot. For dimensions, see sketch in product view.	Pneumatic cylinder with T-slot. For dimensions, see sketch in product view.	
Mounting	can be installed in T-slot from above	can be installed in T-slot from above	
Housing material	PA 12	PA 12	
Interface	—	—	
Switching frequency	3000 Hz	3000 Hz	
Operating voltage U_b	10...30 VDC	10...30 VDC	
Ambient temperature	-25...85 °C	-25...85 °C	
Magnetic field immune	—	—	
Protection degree	IP67	IP67	
Approval/Conformity	cULus, CE	cULus, CE	
Ex category	—	—	
Productview	Page 642	Page 642	



	BMF00F5 BMF 235K-PS-C-2A-SA2-S49-01	BMF00KH BMF 235K-H-PS-C-A2-PU-02		BMF00AR BMF 235K-PS-C-2A-PU-02
			BMF00AU BMF 235K-NS-C-2A-PU-02	
	23.5 x 5 x 5.5 mm	23.5 x 6.2 x 5 mm	23.5 x 5 x 5.5 mm	23.5 x 5 x 5.5 mm
	M8x1 connector, 3-pin	—	—	—
	PUR, 1.00 m	PUR, 2.00 m	PUR, 2.00 m	PUR, 2.00 m
	Pneumatic cylinder with T-slot. For dimensions, see sketch in product view.	Pneumatic cylinder with T-slot. For dimensions, see sketch in product view.	Pneumatic cylinder with T-slot. For dimensions, see sketch in product view.	Pneumatic cylinder with T-slot. For dimensions, see sketch in product view.
	can be installed in T-slot from above	can be installed in T-slot from above	can be installed in T-slot from above	can be installed in T-slot from above
	PA 12	PA 12	PA 12	PA 12
	—	—	—	—
	3000 Hz	—	3000 Hz	3000 Hz
	10...30 VDC	10...30 VDC	10...30 VDC	10...30 VDC
	-25...85 °C	-25...80 °C	-25...85 °C	-25...85 °C
	—	—	—	—
	IP67	IP67	IP67	IP67
	cULus, CE	cULus, DC, Code 81U2, EAC, CE	CE, cULus	cULus, CE
	—	—	—	—
	Page 642	Page 642	Page 642	Page 642



PNP normally open	BMF00J6 BMF 235K-PS-C-2A-SA5-02	BMF00CH BMF 235K-PS-C-2A-PU-05	
Dimension	23.5 x 5 x 5.5 mm	23.5 x 5 x 5.5 mm	
Connection	—	—	
Cable	TPE welding spark resistant, 2.00 m	PUR, 5.00 m	
Application	Pneumatic cylinder with T-slot. For dimensions, see sketch in product view.	Pneumatic cylinder with T-slot. For dimensions, see sketch in product view.	
Mounting	can be installed in T-slot from above	can be installed in T-slot from above	
Housing material	PA 12	PA 12	
Interface	—	—	
Switching frequency	3000 Hz	3000 Hz	
Operating voltage U_b	10...30 VDC	10...30 VDC	
Ambient temperature	-25...85 °C	-25...85 °C	
Magnetic field immune	—	—	
Protection degree	IP67	IP67	
Approval/Conformity	CE, cULus	cULus, CE	
Ex category	—	—	
Productview	Page 642	Page 642	



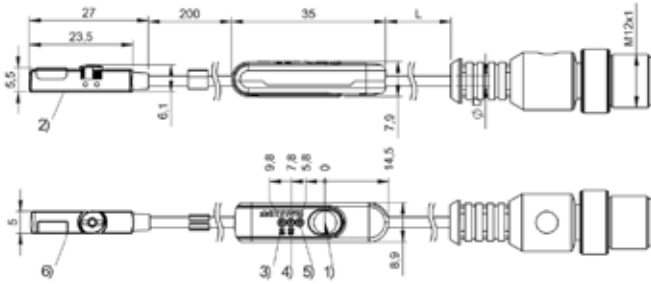
	BMF007Y BMF 315M-PS-D-2-SA3-S49-00,3	BMF0081 BMF 315M-PS-W-2-S4-00,3	BMF0082 BMF 315M-PS-W-2-S49-00,3	BMF00C1 BMF 315M-PS-W-2-SA4-S4-00,3
	33 x 5.1 x 7.2 mm	33 x 5.1 x 7.2 mm	33 x 5.1 x 7.2 mm	33 x 5.1 x 7.2 mm
	M8x1 connector, 3-pin	M12x1-Male, 4-pole, A-coded	M8x1 connector, 3-pin	M12x1-Male, 4-pole, A-coded
	PUR, 0.30 m	PUR, 0.30 m	PUR, 0.30 m	PUR, 0.30 m
	Pneumatic cylinder with T-slot. For dimensions, see sketch in product view.	Pneumatic cylinder with T-slot. For dimensions, see sketch in product view.	Pneumatic cylinder with T-slot. For dimensions, see sketch in product view.	Pneumatic cylinder with T-slot. For dimensions, see sketch in product view.
	can be installed in T-slot from above	can be installed in T-slot from above	can be installed in T-slot from above	can be installed in T-slot from above
	Aluminum	Aluminum	Aluminum	Aluminum
	—	—	—	—
	10000 Hz	10 Hz	10 Hz	10 Hz
	10...30 VDC	10...30 VDC	10...30 VDC	10...30 VDC
	-25...105 °C, high temperature rated	-25...70 °C	-25...70 °C	-25...70 °C
	—	weld-immune (AC)	weld-immune (AC)	weld-immune (AC)
	IP67	IP67	IP67	IP67
	CE, cULus	cULus, CE	cULus, CE	cULus, CE
	—	—	—	—
	Page 643	Page 643	Page 643	Page 643



	BMF007U BMF 315M-PS-D-2-SA3-PU-02	BMF007W BMF 315M-PS-D-2-SA3-PU-05	
PNP normally open			
NAMUR			
Dimension	33 x 5.1 x 7.2 mm	33 x 5.1 x 7.2 mm	
Connection	—	—	
Cable	PUR, 2.00 m	PUR, 5.00 m	
Application	Pneumatic cylinder with T-slot. For dimensions, see sketch in product view.	Pneumatic cylinder with T-slot. For dimensions, see sketch in product view.	
Mounting	can be installed in T-slot from above	can be installed in T-slot from above	
Housing material	Aluminum	Aluminum	
Interface	—	—	
Switching frequency	10000 Hz	10000 Hz	
Operating voltage U _b	10...30 VDC	10...30 VDC	
Ambient temperature	-25...105 °C, high temperature rated	-25...105 °C, high temperature rated	
Magnetic field immune	—	—	
Protection degree	IP67	IP67	
Approval/Conformity	CE, cULus	CE, cULus	
Ex category	—	—	
Productview	Page 643	Page 643	

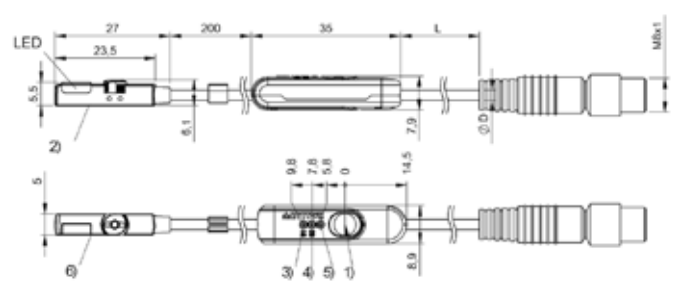


	BMF00E4 BMF 255K-N-06-EEX			
	25 x 5 x 5.1 mm			
	—			
	PVC, 6.00 m			
	Pneumatic cylinder with T-slot. For dimensions, see sketch in product view.			
	can be installed in T-slot from above			
	PA			
	NAMUR			
	2000 Hz			
	—			
	-25...70 °C			
	—			
	IP67			
	CE, EAC			
	ATEX: 1G (EPL Ga) ATEX: 1D (EPL Da)			
	Page 643			



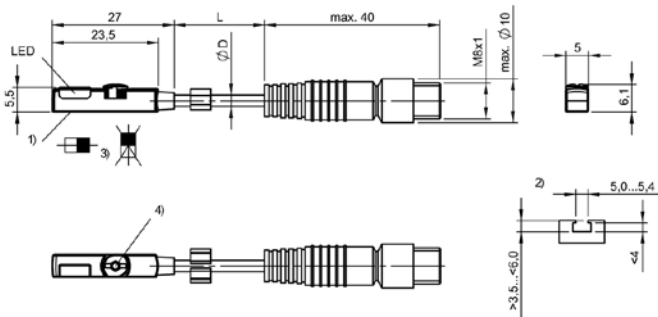
1) Teach-In button, 2) Sensing surface, 3) Output 1 active, 4) Output 2 active, 5) LED Power, 6) Null point

BMF00LC



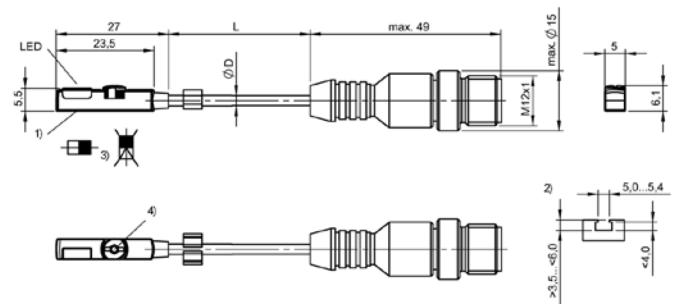
1) Teach-In button, 2) Sensing surface, 3) Output 1 active, 4) Output 2 active, 5) LED Power, 6) Null point

BMF00L6



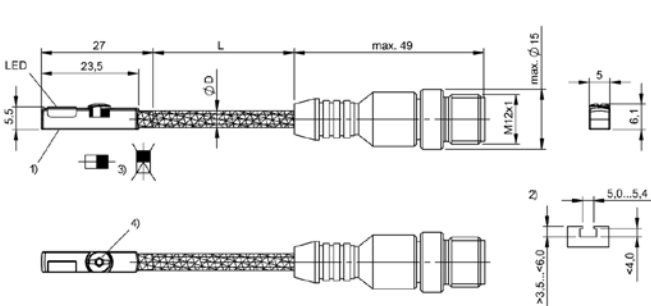
1) Sensing surface, 2) see remarks, 3) see remarks, 4) see remarks

BMF00C2, BMF00C6, BMF00C4, BMF00CF, BMF00F5



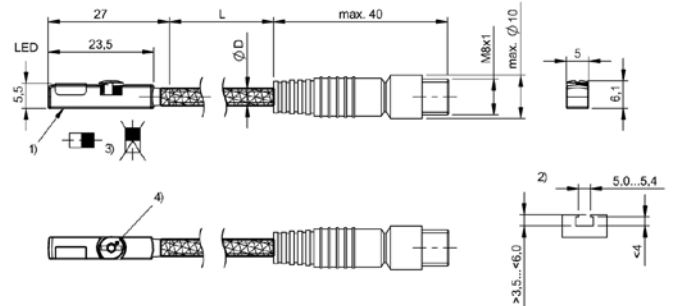
1) Sensing surface, 2) see remarks, 3) see remarks, 4) see remarks

BMF00C5, BMF00FY



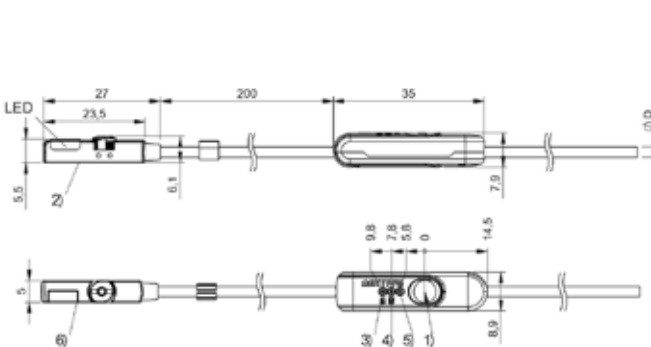
1) Sensing surface, 2) see remarks, 3) see remarks, 4) see remarks

BMF00H5



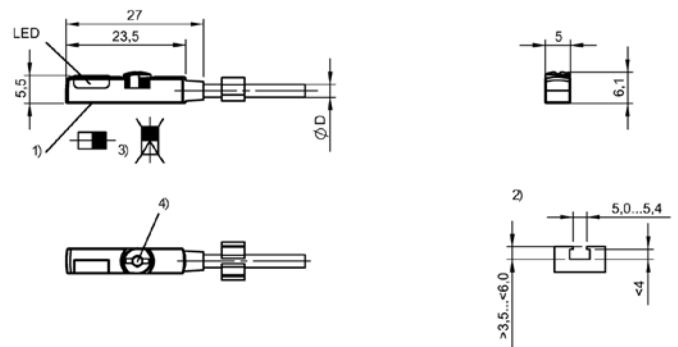
1) Sensing surface, 2) see remarks, 3) see remarks, 4) see remarks

BMF00H3



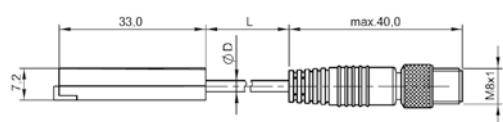
1) Teach-In button, 2) Sensing surface, 3) Output 1 active, 3) Output 2 active, 5) LED Power, 6) Null point

BMF00KH



1) Sensing surface, 2) see remarks, 3) see remarks, 4) see remarks

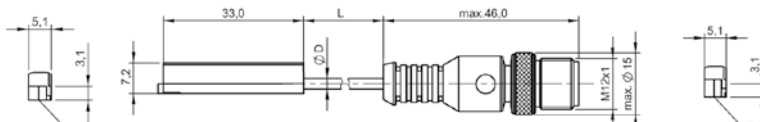
BMF00AU, BMF00AR, BMF00J6, BMF00CH



max. 0,35 Nm

1) Sensing surface

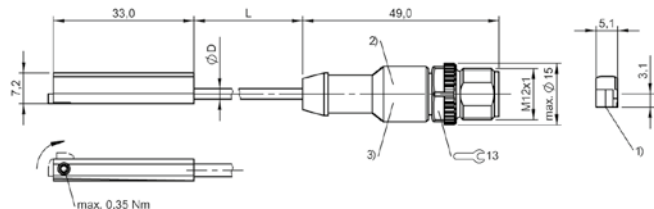
BMF007Y, BMF0082



max. 0,35 Nm

1) Sensing surface

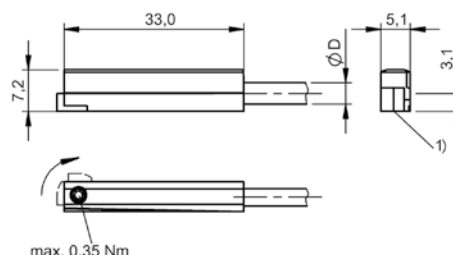
BMF0081



max. 0,35 Nm

1) Sensing surface, 2) Power indicator green, 3) Function indicator yellow

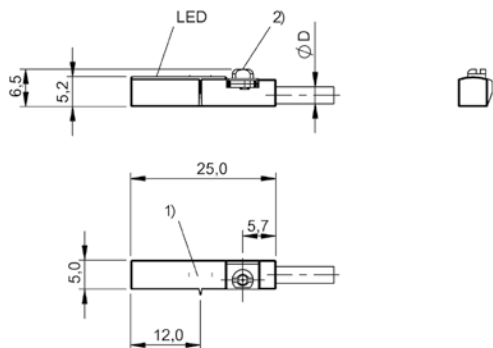
BMF00C1



max. 0,35 Nm

1) Sensing surface

BMF007U, BMF007W



1) Sensing surface, 2) Mounting clamp

BMF00E4



PNP normally open	BMF00K9 BMF 203K-H-PI-C-A8-S75-00,3	BMF00JH BMF 203K-H-PS-C-A2-S75-00,3	
Dimension	20 x 2.9 x 3.6 mm	20 x 2.9 x 3.6 mm	
Connection	M8x1 connector, 4-pin	M8x1 connector, 4-pin	
Cable	PUR, 0.30 m	PUR, 0.30 m	
Application	Pneumatic cylinder with C-slot. For dimensions, see sketch in product view.	Pneumatic cylinder with C-slot. For dimensions, see sketch in product view.	
Mounting	can be installed in C-slot from above	can be installed in C-slot from above	
Housing material	PA 12	PA 12	
Interface	IO-Link 1.1	—	
Switching frequency	15 Hz	15 Hz	
Operating voltage U_b	10...30 VDC	10...30 VDC	
Ambient temperature	-25...80 °C	-25...80 °C	
Protection degree	IP67	IP67	
Approval/Conformity	CE, IO-Link, cULus, DC, Code 81U2	CE, cULus, DC, Code 81U2	
Productview	Page 652	Page 652	



BMF00JF BMF 203K-H-PS-C-A2-PU-02	BMF00A6 BMF 204K-PS-C-2A-SA2-S4-00,3	BMF0002 BMF 204K-PS-C-2A-SA2-S49-00,3	BMF0003 BMF 204K-PS-C-2A-SA2-S49-00,5
20 x 2.9 x 3.6 mm	16.8 x 2.9 x 4.5 mm	16.8 x 2.9 x 4.5 mm	16.8 x 2.9 x 4.5 mm
—	M12x1-Male, 4-pole, A-coded	M8x1 connector, 3-pin	M8x1 connector, 3-pin
PUR, 2.00 m	PUR, 0.30 m	PUR, 0.30 m	PUR, 0.50 m
Pneumatic cylinder with C-slot. For dimensions, see sketch in product view.	Optimized response path especially suited for short-stroke cylinders.	Optimized response path especially suited for short-stroke cylinders.	Optimized response path especially suited for short-stroke cylinders.
can be installed in C-slot from above	C-slot, Sommer, Festo slot 10	C-slot, Sommer, Festo slot 10	C-slot, Sommer, Festo slot 10
PA 12	PA 12	PA 12	PA 12
—	—	—	—
15 Hz	7000 Hz	7000 Hz	7000 Hz
10...30 VDC	10...30 VDC	10...30 VDC	10...30 VDC
-25...80 °C	-25...85 °C	-25...85 °C	-25...85 °C
IP67	IP67	IP67	IP67
CE, cULus, DC, Code 81U2	cULus, CE	CE, cULus	CE, cULus
Page 652	Page 652	Page 652	Page 652



PNP normally open	BMF0001 BMF 204K-PS-C-2A-PU-02	BMF00FC BMF 214K-PS-C-2A-SA2-S4-00,3	
Dimension	16.8 x 2.9 x 4.5 mm	16.8 x 2.9 x 4.5 mm	
Connection	—	M12x1-Male, 4-pole, A-coded	
Cable	PUR, 2.00 m	PUR, 0.30 m	
Application	Optimized response path especially suited for short-stroke cylinders.	Optimized response path especially suited for short-stroke cylinders.	
Mounting	C-slot, Sommer, Festo slot 10	C-slot, SMC, Bimba, Schunk	
Housing material	PA 12	PA 12	
Interface	—	—	
Switching frequency	7000 Hz	7000 Hz	
Operating voltage U_b	10...30 VDC	10...30 VDC	
Ambient temperature	-25...85 °C	-25...85 °C	
Protection degree	IP67	IP67	
Approval/Conformity	cULus, CE	cULus, CE	
Productview	Page 652	Page 652	



	BMF00A2 BMF 214K-PS-C-2A-SA2-S49-00,3	BMF00A3 BMF 214K-PS-C-2A-SA2-S49-00,5	BMF00A1 BMF 214K-PS-C-2A-PU-02	BMF00E5 BMF 214K-PS-C-2A-S4-03
	16.8 x 2.9 x 4.5 mm	16.8 x 2.9 x 4.5 mm	16.8 x 2.9 x 4.5 mm	16.8 x 2.9 x 4.5 mm
	M8x1 connector, 3-pin	M8x1 connector, 3-pin	—	M12x1-Male, 4-pole, A-coded
	PUR, 0.30 m	PUR, 0.50 m	PUR, 2.00 m	PUR, 3.00 m
	Optimized response path especially suited for short-stroke cylinders.	Optimized response path especially suited for short-stroke cylinders.	Optimized response path especially suited for short-stroke cylinders.	Optimized response path especially suited for short-stroke cylinders.
	C-slot, SMC, Bimba, Schunk	C-slot, SMC, Bimba, Schunk	C-slot, SMC, Bimba, Schunk	C-slot, SMC, Bimba, Schunk
	PA 12	PA 12	PA 12	PA 12
	—	—	—	—
	7000 Hz	7000 Hz	7000 Hz	7000 Hz
	10...30 VDC	10...30 VDC	10...30 VDC	10...30 VDC
	-25...85 °C	-25...85 °C	-25...85 °C	-25...85 °C
	IP67	IP67	IP67	IP67
	CE, cULus	CE, cULus	CE, cULus	cULus, CE
	Page 652	Page 652	Page 652	Page 653



	BMF00E3 BMF 214K-PS-C-2A-PU-05	BMF00HF BMF 233K-PS-C-2A-SA2-S49-00,3	
PNP normally open			
NPN normally open			
Dimension	16.8 x 2.9 x 4.5 mm	24 x 2.9 x 3.6 mm	
Connection	—	M8x1 connector, 3-pin	
Cable	PUR, 5.00 m	PUR, 0.30 m	
Application	Optimized response path especially suited for short-stroke cylinders.	Pneumatic cylinder with C-slot, e.g. Festo, Sommer, etc.	
Mounting	C-slot, SMC, Bimba, Schunk	can be installed in C-slot from above	
Housing material	PA 12	PA 12	
Interface	—	—	
Switching frequency	7000 Hz	3000 Hz	
Operating voltage U_b	10...30 VDC	10...30 VDC	
Ambient temperature	-25...85 °C	-25...85 °C	
Protection degree	IP67	IP67	
Approval/Conformity	CE, cULus	cULus, CE	
Productview	Page 652	Page 653	



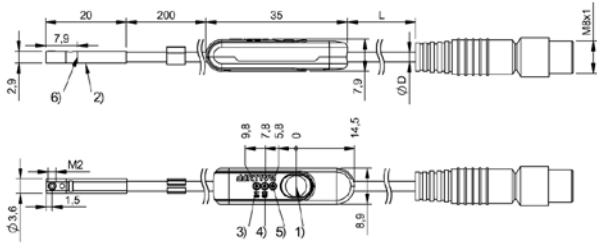
BMF00HA BMF 233K-PS-C-2A-PU-02	BMF00EN BMF 243K-NS-C-2A-SA2-S49-00,3	BMF00ER BMF 243K-PS-C-2A-SA2-S4-00,3	BMF00EL BMF 243K-PS-C-2A-SA2-S49-00,3
24 x 2.9 x 3.6 mm	24 x 3 x 3.75 mm	24 x 3 x 3.75 mm	24 x 3 x 3.75 mm
—	M8x1 connector, 3-pin	M12x1-Male, 4-pole, A-coded	M8x1 connector, 3-pin
PUR, 2.00 m	PUR, 0.30 m	PUR, 0.30 m	PUR, 0.30 m
Pneumatic cylinder with C-slot, e.g. Festo, Sommer, etc.	Pneumatic cylinder with C-slot, e.g. SMC, Festo*, Schunk, Sommer, Gimatic (*not suitable for Festo Series ADVC and AEVC)	Pneumatic cylinder with C-slot, e.g. SMC, Festo*, Schunk, Sommer, Gimatic (*not suitable for Festo Series ADVC and AEVC)	Pneumatic cylinder with C-slot, e.g. SMC, Festo*, Schunk, Sommer, Gimatic (*not suitable for Festo Series ADVC and AEVC)
can be installed in C-slot from above	can be installed in C-slot from above	can be installed in C-slot from above	can be installed in C-slot from above
PA 12	PA 12	PA 12	PA 12
—	—	—	—
3000 Hz	3000 Hz	3000 Hz	3000 Hz
10...30 VDC	10...30 VDC	10...30 VDC	10...30 VDC
-25...85 °C	-25...85 °C	-25...85 °C	-25...85 °C
IP67	IP67	IP67	IP67
cULus, CE	cULus, CE	cULus, CE	cULus, CE
Page 653	Page 653	Page 653	Page 653



PNP normally open	BMF00H6 BMF 243K-PS-C-2A-SA93-S4-00,3	BMF00H7 BMF 243K-PS-C-2A-SA93-S49-00,3	
Dimension	24 x 3 x 3.75 mm	24 x 3 x 3.75 mm	
Connection	M12x1-Male, 4-pole, A-coded	M8x1 connector, 3-pin	
Cable	PUR with silicone tube, 0.30 m	PUR with silicone tube, 0.30 m	
Application	Pneumatic cylinder with C-slot, e.g. SMC, Festo*, Schunk, Sommer, Gimatic (*not suitable for Festo Series ADVC and AEVC)	Pneumatic cylinder with C-slot, e.g. SMC, Festo*, Schunk, Sommer, Gimatic (*not suitable for Festo Series ADVC and AEVC)	
Mounting	can be installed in C-slot from above	can be installed in C-slot from above	
Housing material	PA 12	PA 12	
Interface	—	—	
Switching frequency	3000 Hz	3000 Hz	
Operating voltage U_b	10...30 VDC	10...30 VDC	
Ambient temperature	-25...85 °C	-25...85 °C	
Protection degree	IP67	IP67	
Approval/Conformity	cULus, CE	CE, cULus	
Productview	Page 653	Page 653	

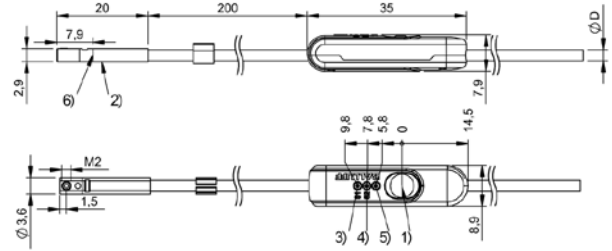


BMF00EF BMF 243K-PS-C-2A-PU-02			
24 x 3 x 3.75 mm			
—			
PUR, 2.00 m			
Pneumatic cylinder with C-slot, e.g. SMC, Festo*, Schunk, Som- mer, Gimatic (*not suitable for Festo Series ADVC and AEVC)			
can be installed in C-slot from above			
PA 12			
—			
3000 Hz			
10...30 VDC			
-25...85 °C			
IP67			
cULus, CE			
Page 653			



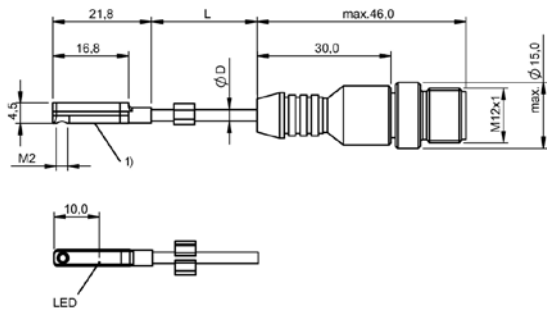
1) Teach-In button, 2) Sensing surface, 3) Output 1 active, 4) Output 2 active, 5) LED Power, 6) Null point

BMF00K9, BMF00JH



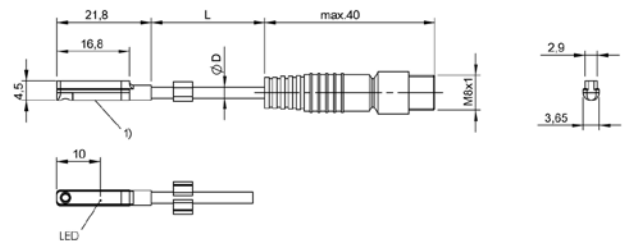
1) Teach-In button, 2) Sensing surface, 3) Output 1 active, 4) Output 2 active, 5) LED Power, 6) Null point

BMF00JF



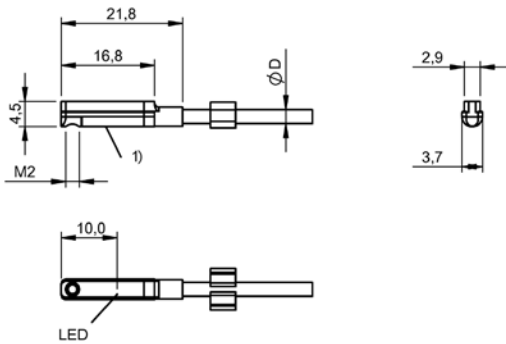
1) Sensing surface

BMF00A6



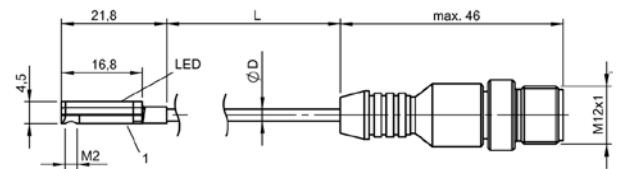
1) Sensing surface

BMF0002, BMF0003

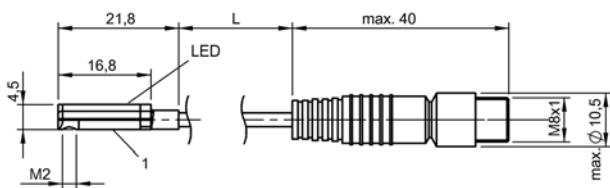


1) Sensing surface

BMF0001

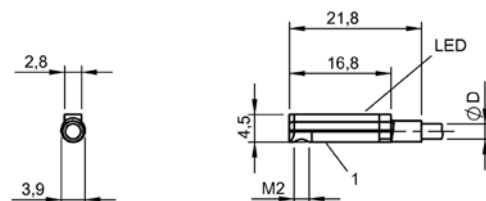


BMF00FC



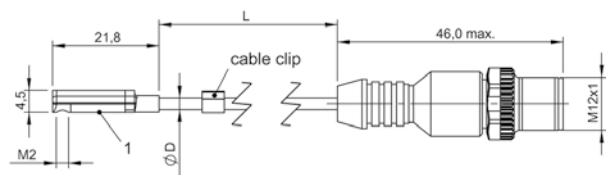
1) Sensing surface

BMF00A2, BMF00A3



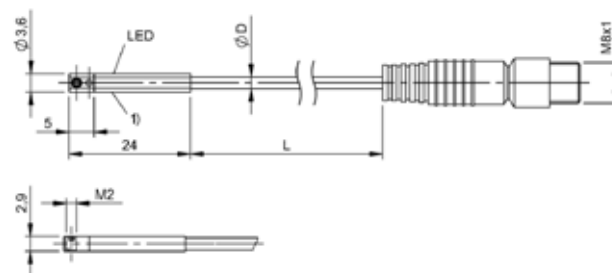
1) Sensing surface

BMF00A1, BMF00E3



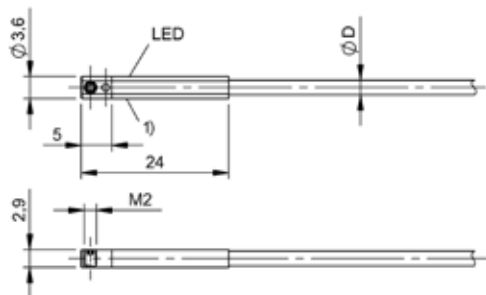
1) Sensing surface

BMF00E5



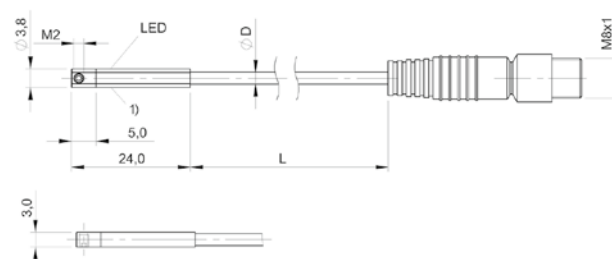
1) Sensing surface

BMF00HF



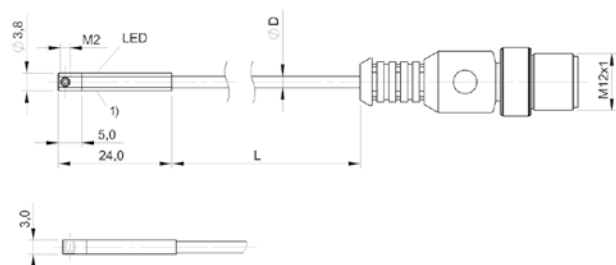
1) Sensing surface

BMF00HA



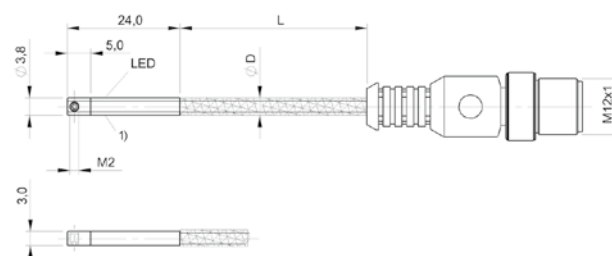
1) Sensing surface

BMF00EN, BMF00EL



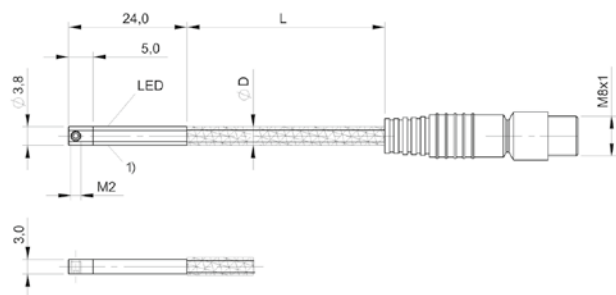
1) Sensing surface

BMF00ER



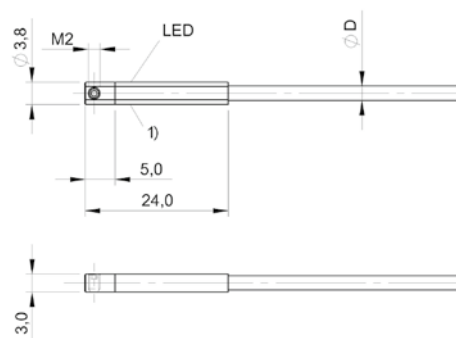
1) Sensing surface

BMF00H6



1) Sensing surface

BMF00H7



1) Sensing surface

BMF00EF



PNP normally open	BMF001L BMF 103K-PS-C-2A-SA2-S49-00,3	BMF001P BMF 103K-PS-C-2A-SA7-S49-00,3	BMF001K BMF 103K-PS-C-2A-S4-00,5	
Dimension	9 x 4.8 x 16 mm	9 x 4.8 x 16 mm	9 x 4.8 x 16 mm	
Connection	M8x1 connector, 3-pin	M8x1 connector, 3-pin	M12x1-Male, 4-pole, A-coded	
Cable	PUR, 0.30 m	PUR, 0.30 m	PUR, 0.50 m	
Application	Optimized response path especially suited for short-stroke cylinders.	radially magnetized magnets (Schunk)	Optimized response path especially suited for short-stroke cylinders.	
Mounting	Mounting bracket BMF 103-HW*	Mounting bracket BMF 103-HW*	Mounting bracket BMF 103-HW*	
Housing material	PBT	LCP	PBT	
Interface	—	—	—	
Switching frequency	30000 Hz	7000 Hz	30000 Hz	
Operating voltage U_b	10...30 VDC	10...30 VDC	10...30 VDC	
Ambient temperature	-25...85 °C	-25...85 °C	-25...85 °C	
Magnetic field immune	—	—	—	
Protection degree	IP67	IP67	IP67	
Approval/Conformity	cULus, CE	CE, cULus	CE, cULus	
Productview	Page 668	Page 668	Page 668	



BMF001M BMF 103K-PS-C-2A-SA2-S49-00,5	BMF001E BMF 103K-PS-C-2A-PU-02	BMF001F BMF 103K-PS-C-2A-PU-03	BMF0041 BMF 303K-PS-C-2A-S49-00,2	
9 x 4.8 x 16 mm	9 x 4.8 x 16 mm	9 x 4.8 x 16 mm	25.5 x 3 x 4.5 mm	
M8x1 connector, 3-pin	—	—	M8x1 connector, 3-pin	
PUR, 0.50 m	PUR, 2.00 m	PUR, 3.00 m	PUR, 0.20 m	
Optimized response path especially suited for short-stroke cylinders.	Optimized response path especially suited for short-stroke cylinders.	Optimized response path especially suited for short-stroke cylinders.	miniaturized actuators	
Mounting bracket BMF 103-HW*	Mounting bracket BMF 103-HW*	Mounting bracket BMF 103-HW*	Mounting bracket BMF 303-HW*	
PBT	PBT	PBT	LCP	
—	—	—	—	
30000 Hz	30000 Hz	30000 Hz	30000 Hz	
10...30 VDC	10...30 VDC	10...30 VDC	10...30 VDC	
-25...85 °C	-25...85 °C	-25...85 °C	-25...85 °C	
—	—	—	—	
IP67	IP67	IP67	IP67	
cULus, CE	cULus, CE	cULus, CE	cULus, CE	
Page 668	Page 668	Page 668	Page 668	



PNP normally open	BMF0042 BMF 303K-PS-C-2A-SA2-S49-00,2	BMF0043 BMF 303K-PS-C-2A-SA2-S49-00,3	BMF0049 BMF 303K-PS-C-2A-SA6-S49-00,3	
PNP normally closed		BMF0039 BMF 303K-PO-C-2A-SA2-S49-00,3		
Dimension	25.5 x 3 x 4.5 mm	25.5 x 3 x 4.5 mm	25.5 x 3 x 4.5 mm	
Connection	M8x1 connector, 3-pin	M8x1 connector, 3-pin	M8x1 connector, 3-pin	
Cable	PUR, 0.20 m	PUR, 0.30 m	PUR, 0.30 m	
Application	miniaturized actuators	miniaturized actuators	Optimized response path especially suited for short-stroke cylinders.	
Mounting	Mounting bracket BMF 303-HW*	Mounting bracket BMF 303-HW*	Mounting bracket BMF 303-HW*	
Housing material	LCP	LCP	LCP	
Interface	—	—	—	
Switching frequency	30000 Hz	30000 Hz	30000 Hz	
Operating voltage U_b	10...30 VDC	10...30 VDC	10...30 VDC	
Ambient temperature	-25...85 °C	-25...85 °C	-25...85 °C	
Magnetic field immune	—	—	—	
Protection degree	IP67	IP67	IP67	
Approval/Conformity	cULus, CE	cULus, CE	cULus, CE	
Productview	Page 668	Page 668	Page 668	



	BMF004C BMF 303K-PS-C-2A-SA7-S49-00,3	BMF0040 BMF 303K-PS-C-2A-S4-00,5	BMF0044 BMF 303K-PS-C-2A-SA2-S49-00,5	BMF004A BMF 303K-PS-C-2A-SA6-S49-00,5	
	25.5 x 3 x 4.5 mm	25.5 x 3 x 4.5 mm	25.5 x 3 x 4.5 mm	25.5 x 3 x 4.5 mm	
	M8x1 connector, 3-pin	M12x1-Male, 4-pole, A-coded	M8x1 connector, 3-pin	M8x1 connector, 3-pin	
	PUR, 0.30 m	PUR, 0.50 m	PUR, 0.50 m	PUR, 0.50 m	
	radially magnetized magnets (Schunk)	miniaturized actuators	miniaturized actuators	Optimized response path especially suited for short-stroke cylinders.	
	Mounting bracket BMF 303-HW*	Mounting bracket BMF 303-HW*	Mounting bracket BMF 303-HW*	Mounting bracket BMF 303-HW*	
	LCP	LCP	LCP	LCP	
	—	—	—	—	
	7000 Hz	30000 Hz	30000 Hz	30000 Hz	
	10...30 VDC	10...30 VDC	10...30 VDC	10...30 VDC	
	-25...85 °C	-25...85 °C	-25...85 °C	-25...85 °C	
	—	—	—	—	
	IP67	IP67	IP67	IP67	
	CE, cULus	cULus, CE	cULus, CE	cULus, CE	
	Page 668	Page 668	Page 668	Page 668	



PNP normally open	BMF0045 BMF 303K-PS-C-2A-SA2-S49-00,7	BMF0046 BMF 303K-PS-C-2A-SA2-S49-01	BMF0047 BMF 303K-PS-C-2A-SA2-S49-01,5	
Dimension	25.5 x 3 x 4.5 mm	25.5 x 3 x 4.5 mm	25.5 x 3 x 4.5 mm	
Connection	M8x1 connector, 3-pin	M8x1 connector, 3-pin	M8x1 connector, 3-pin	
Cable	PUR, 0.70 m	PUR, 1.00 m	PUR, 1.50 m	
Application	miniaturized actuators	miniaturized actuators	miniaturized actuators	
Mounting	Mounting bracket BMF 303-HW*	Mounting bracket BMF 303-HW*	Mounting bracket BMF 303-HW*	
Housing material	LCP	LCP	LCP	
Interface	—	—	—	
Switching frequency	30000 Hz	30000 Hz	30000 Hz	
Operating voltage U_b	10...30 VDC	10...30 VDC	10...30 VDC	
Ambient temperature	-25...85 °C	-25...85 °C	-25...85 °C	
Magnetic field immune	—	—	—	
Protection degree	IP67	IP67	IP67	
Approval/Conformity	cULus, CE	cULus, CE	cULus, CE	
Productview	Page 668	Page 668	Page 668	



	BMF003U BMF 303K-PS-C-2A-PU-02	BMF003W BMF 303K-PS-C-2A-PU-03	BMF0048 BMF 303K-PS-C-2A-SA6-PU-03	BMF003Y BMF 303K-PS-C-2A-PU-05	
	25.5 x 3 x 4.5 mm	25.5 x 3 x 4.5 mm	25.5 x 3 x 6 mm	25.5 x 3 x 4.5 mm	
	—	—	—	—	
	PUR, 2.00 m	PUR, 3.00 m	PUR, 3.00 m	PUR, 5.00 m	
	miniaturized actuators	miniaturized actuators	Optimized response path especially suited for short-stroke cylinders.	miniaturized actuators	
	Mounting bracket BMF 303-HW*	Mounting bracket BMF 303-HW*	Mounting bracket BMF 303-HW*	Mounting bracket BMF 303-HW*	
	LCP	LCP	LCP	LCP	
	—	—	—	—	
	30000 Hz	30000 Hz	30000 Hz	30000 Hz	
	10...30 VDC	10...30 VDC	10...30 VDC	10...30 VDC	
	-25...85 °C	-25...85 °C	-25...85 °C	-25...85 °C	
	—	—	—	—	
	IP67	IP67	IP67	IP67	
	cULus, CE	cULus, CE	CE, cULus	cULus, CE	
	Page 668	Page 668	Page 669	Page 668	



PNP normally open	BMF008E BMF 305M-PS-C-2-S4	BMF008F BMF 305M-PS-C-2-S49	BMF0066 BMF 305M-PS-C-2-SA4-S49	
Dimension	33.5 x 12.8 x 33.5 mm	33.5 x 9 x 26.2 mm	33.5 x 9 x 26.2 mm	
Connection	M12x1-Male, 4-pole, A-coded	M8x1 connector, 3-pin	M8x1 connector, 3-pin	
Cable	—	—	—	
Application	larger actuators	larger actuators	larger actuators	
Mounting	Mounting bracket BMF 305-HW*	Mounting bracket BMF 305-HW*	Mounting bracket BMF 305-HW*	
Housing material	Aluminum	Aluminum	Aluminum	
Interface	—	—	—	
Switching frequency	10000 Hz	10000 Hz	10000 Hz	
Operating voltage U_b	10...30 VDC	10...30 VDC	10...30 VDC	
Ambient temperature	-25...85 °C	-25...85 °C	-25...105 °C, high temperature rated	
Magnetic field immune	—	—	—	
Protection degree	IP67	IP67	IP65	
Approval/Conformity	CE, cULus	CE, cULus	CE	
Productview	Page 669	Page 669	Page 669	



	BMF0067 BMF 305M-PS-W-2-S4	BMF005F BMF 305K-PS-C-2-S49-00,1	BMF0058 BMF 305K-PS-C-2-S4-00,2	BMF005H BMF 305K-PS-C-2-S49-00,2	
	33.5 x 5 x 33.5 mm	33.5 x 5 x 10.5 mm	33.5 x 5 x 10.5 mm	33.5 x 5 x 10.5 mm	
	M12x1-Male, 4-pole, A-coded	M8x1 connector, 3-pin	M12x1-Male, 4-pole, A-coded	M8x1 connector, 3-pin	
	—	PUR, 0.10 m	PUR, 0.20 m	PUR, 0.20 m	
	larger actuators, Welding area	larger actuators	larger actuators	larger actuators	
	Mounting bracket BMF 305-HW*	Mounting bracket BMF 305-HW*	Mounting bracket BMF 305-HW*	Mounting bracket BMF 305-HW*	
	Aluminum	LCP	LCP	LCP	
	—	—	—	—	
	10 Hz	10000 Hz	10000 Hz	10000 Hz	
	10...30 VDC	10...30 VDC	10...30 VDC	10...30 VDC	
	-25...70 °C	-25...85 °C	-25...85 °C	-25...85 °C	
	weld-immune (AC)	—	—	—	
	IP67	IP67	IP67	IP67	
	cULus, CE	CE, cULus	CE, cULus	CE, cULus	
	Page 669	Page 669	Page 669	Page 669	



PNP normally open	BMF005K BMF 305K-PS-C-2-SA2-S49-00,2	BMF005W BMF 305K-PS-C-2-SA5-S49-00,2		
PNP normally closed				
Polarized normally open			BMF0063 BMF 305K-R-PS-F-3-S49-00,2	
Dimension	33.5 x 5 x 10.5 mm	33.5 x 5 x 10.5 mm	33.5 x 5 x 10.5 mm	
Connection	M8x1 connector, 3-pin	M8x1 connector, 3-pin	M8x1 connector, 3-pin	
Cable	PUR, 0.20 m	0.20 m	PUR, 0.20 m	
Application	larger actuators	—	larger actuators	
Mounting	Mounting bracket BMF 305-HW*	—	Mounting bracket BMF 305-HW*	
Housing material	LCP	LCP	LCP	
Interface	—	—	—	
Switching frequency	10000 Hz	10000 Hz	1000 Hz	
Operating voltage U_b	10...30 VDC	10...30 VDC	10...30 VDC	
Ambient temperature	-25...85 °C	-25...85 °C	-20...70 °C	
Magnetic field immune	—	—	—	
Protection degree	IP67	IP67	IP65	
Approval/Conformity	CE, cULus	cULus, CE	CE	
Productview	Page 669	Page 669	Page 669	



BMF005L BMF 305K-PS-C-2-SA2-S49-00,3	BMF005M BMF 305K-PS-C-2-SA2-S49-00,4	BMF0059 BMF 305K-PS-C-2-S4-00,5	BMF005J BMF 305K-PS-C-2-S49-00,5	
BMF0055 BMF 305K-PO-C-2-SA2-S49-00,3				
33.5 x 5 x 10.5 mm	33.5 x 5 x 10.5 mm	33.5 x 5 x 10.5 mm	33.5 x 5 x 10.5 mm	
M8x1 connector, 3-pin	M8x1 connector, 3-pin	M12x1-Male, 4-pole, A-coded	M8x1 connector, 3-pin	
PUR, 0.30 m	PUR, 0.40 m	PUR, 0.50 m	PUR, 0.50 m	
larger actuators	larger actuators	larger actuators	larger actuators	
Mounting bracket BMF 305-HW*	Mounting bracket BMF 305-HW*	Mounting bracket BMF 305-HW*	Mounting bracket BMF 305-HW*	
LCP	LCP	LCP	LCP	
—	—	—	—	
10000 Hz	10000 Hz	10000 Hz	10000 Hz	
10...30 VDC	10...30 VDC	10...30 VDC	10...30 VDC	
-25...85 °C	-25...85 °C	-25...85 °C	-25...85 °C	
—	—	—	—	
IP67	IP67	IP67	IP67	
CE, cULus	CE, cULus	CE, cULus	CE, cULus	
Page 669	Page 669	Page 669	Page 669	



	BMF005N BMF 305K-PS-C-2-SA2-S49-00,5	BMF005P BMF 305K-PS-C-2-SA2-S49-00,6	BMF005A BMF 305K-PS-C-2-S4-00,8	
PNP normally open				
Dimension	33.5 x 5 x 10.5 mm	33.5 x 5 x 10.5 mm	33.5 x 5 x 10.5 mm	
Connection	M8x1 connector, 3-pin	M8x1 connector, 3-pin	M12x1-Male, 4-pole, A-coded	
Cable	PUR, 0.50 m	PUR, 0.60 m	PUR, 0.80 m	
Application	larger actuators	larger actuators	larger actuators	
Mounting	Mounting bracket BMF 305-HW*	Mounting bracket BMF 305-HW*	Mounting bracket BMF 305-HW*	
Housing material	LCP	LCP	LCP	
Interface	—	—	—	
Switching frequency	10000 Hz	10000 Hz	10000 Hz	
Operating voltage U_b	10...30 VDC	10...30 VDC	10...30 VDC	
Ambient temperature	-25...85 °C	-25...85 °C	-25...85 °C	
Magnetic field immune	—	—	—	
Protection degree	IP67	IP67	IP67	
Approval/Conformity	CE, cULus	CE, cULus	CE, cULus	
Productview	Page 669	Page 669	Page 669	



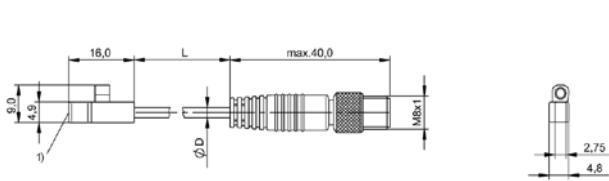
BMF0061 BMF 305K-PS-W-2-SA3-S4-00,8	BMF005R BMF 305K-PS-C-2-SA2-S49-01	BMF005C BMF 305K-PS-C-2-S4-01,5		
33.5 x 5 x 10.5 mm	33.5 x 5 x 10.5 mm	33.5 x 5 x 10.5 mm		
M12x1-Male, 4-pole, A-coded	M8x1 connector, 3-pin	M12x1-Male, 4-pole, A-coded		
PUR, 0.80 m	PUR, 1.00 m	PUR, 1.50 m		
larger actuators, Welding area	larger actuators	larger actuators		
Mounting bracket BMF 305-HW*	Mounting bracket BMF 305-HW*	Mounting bracket BMF 305-HW*		
LCP	LCP	LCP		
—	—	—		
10 Hz	10000 Hz	10000 Hz		
10...30 VDC	10...30 VDC	10...30 VDC		
-25...70 °C	-25...85 °C	-25...85 °C		
weld-immune (AC)	—	—		
IP67	IP67	IP67		
cULus, CE	CE, cULus	CE, cULus		
Page 669	Page 669	Page 669		



PNP normally open	BMF0056 BMF 305K-PS-C-2-PU-02			
Polarized normally open		BMF0062 BMF 305K-R-PS-F-3-03	BMF0064 BMF 305K-R-US-L-3-03	
Dimension	33.5 x 5 x 10.5 mm	33.5 x 5 x 10.5 mm	33.5 x 5 x 10.5 mm	
Connection	—	—	—	
Cable	PUR, 2.00 m	PVC, 3.00 m	PVC, 3.00 m	
Application	larger actuators	larger actuators	larger actuators	
Mounting	Mounting bracket BMF 305-HW*	Mounting bracket BMF 305-HW*	Mounting bracket BMF 305-HW*	
Housing material	LCP	LCP	LCP	
Interface	—	—	—	
Switching frequency	10000 Hz	1000 Hz	1000 Hz	
Operating voltage U_b	10...30 VDC	10...30 VDC	6...240 VDC/6...240 VAC	
Ambient temperature	-25...85 °C	-20...70 °C	-20...70 °C	
Magnetic field immune	—	—	—	
Protection degree	IP67	IP65	IP65	
Approval/Conformity	cULus, CE	CE	CE	
Productview	Page 670	Page 670	Page 670	

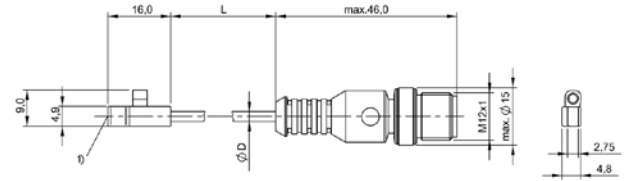


	BMF0057 BMF 305K-PS-C-2-PU-05	BMF0087 BMF 32M-PS-C-2-S4	BMF0088 BMF 32M-PS-C-2-S49	BMF0089 BMF 32M-PS-C-2-SA1-S49	BMF008A BMF 32M-PS-W-2-S4
	33.5 x 5 x 10.5 mm	25 x 11.9 x 26 mm	25 x 11.9 x 26 mm	25 x 11.9 x 26 mm	25 x 11.9 x 26 mm
	—	M12x1-Male, 4-pole, A-coded	M8x1 connector, 3-pin	M8x1 connector, 3-pin	M12x1-Male, 4-pole, A-coded
	PUR, 5.00 m	—	—	—	—
	larger actuators	Round cylinder, Pneumatic cylinder with trapezoidal slot	Round cylinder, Pneumatic cylinder with trapezoidal slot	Round cylinder, Pneumatic cylinder with trapezoidal slot	Round cylinder, Pneumatic cylinder with trapezoidal slot
	—	with tube cuff	with tube cuff	with tube cuff	with tube cuff
	LCP	Aluminum	Aluminum	Aluminum	Aluminum
	—	—	—	—	—
	10000 Hz	10000 Hz	10000 Hz	10000 Hz	10 Hz
	10...30 VDC	10...30 VDC	10...30 VDC	10...30 VDC	10...30 VDC
	-25...85 °C	-25...85 °C	-25...85 °C	-25...85 °C	-25...70 °C
	—	—	—	—	weld-immune (AC)
	IP67	IP67	IP67	IP67	IP67
	cULus, CE	CE, cULus	CE, cULus	cULus, CE	cULus, CE
	Page 670	Page 670	Page 670	Page 670	Page 670



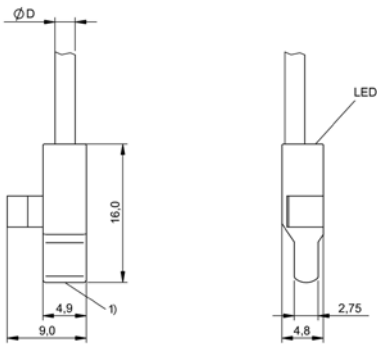
1) Sensing surface

BMF001L, BMF001P, BMF001M



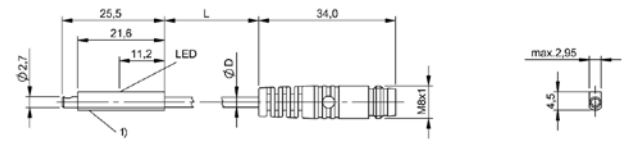
1) Sensing surface

BMF001K



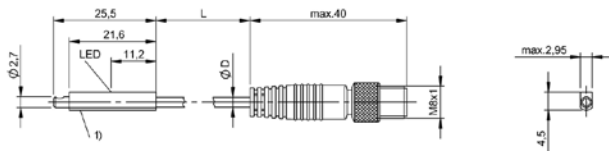
1) Sensing surface

BMF001E, BMF001F



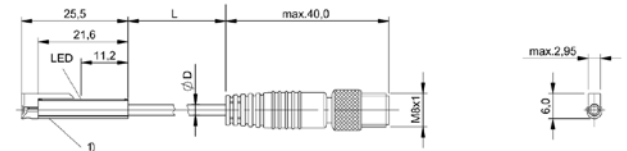
1) Sensing surface

BMF0041



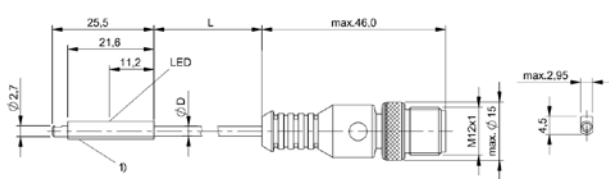
1) Sensing surface

BMF0042, BMF0039, BMF0043, BMF004C, BMF0044, BMF0045, BMF0046, BMF0047



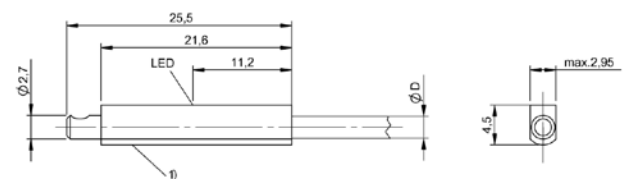
1) Sensing surface

BMF0049, BMF004A



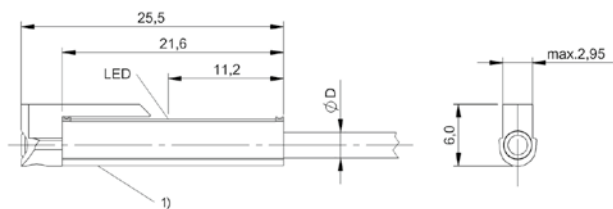
1) Sensing surface

BMF0040



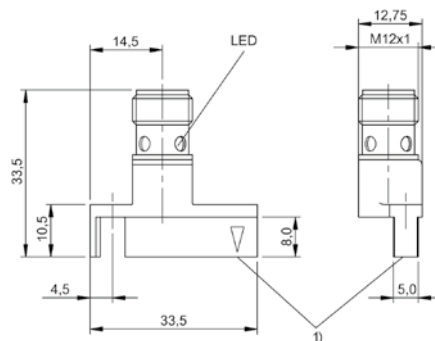
1) Sensing surface

BMF003U, BMF003W, BMF003Y



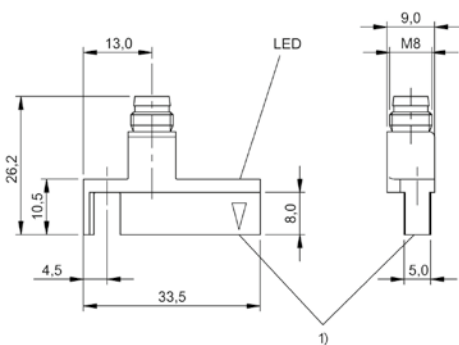
1) Sensing surface

BMF0048



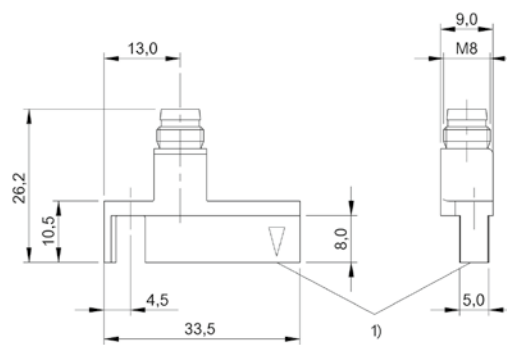
1) Sensing surface

BMF008E, BMF0067



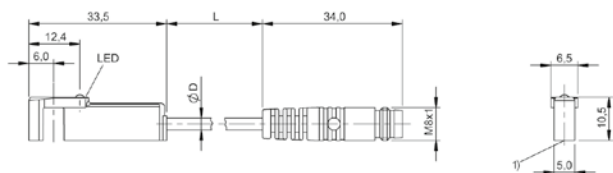
1) Sensing surface

BMF008F



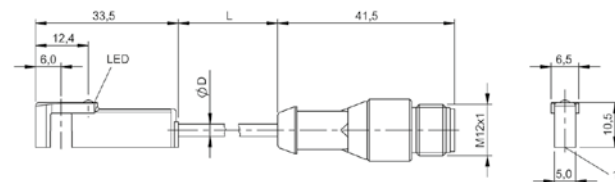
1) Sensing surface

BMF0066



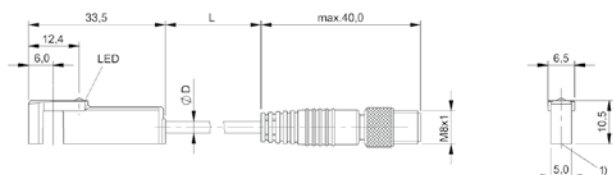
1) Sensing surface

BMF005F, BMF005H, BMF005W, BMF0063, BMF005J



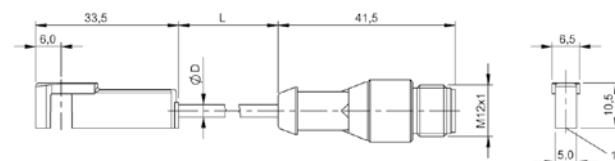
1) Sensing surface

BMF0058, BMF0059, BMF005A, BMF005C



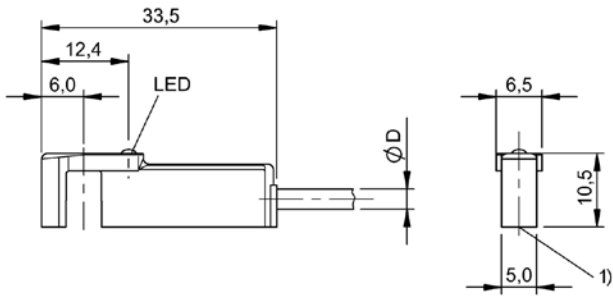
1) Sensing surface

BMF005K, BMF0055, BMF005L, BMF005M, BMF005N, BMF005P, BMF005R



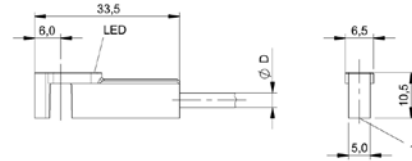
1) Sensing surface

BMF0061



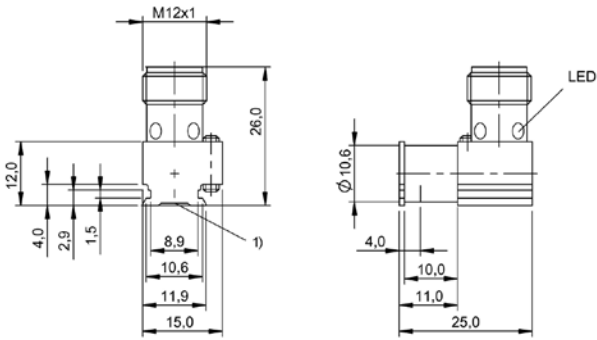
1) Sensing surface

BMF0056, BMF0062, BMF0057



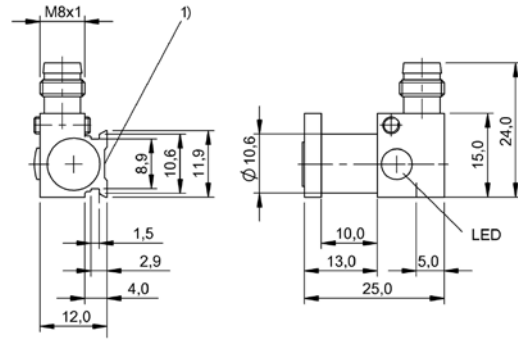
1) Sensing surface

BMF0064



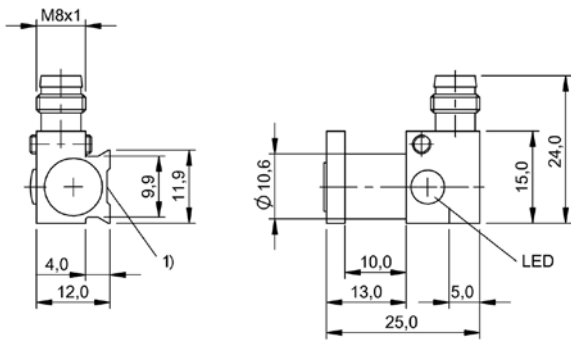
1) Sensing surface

BMF0087



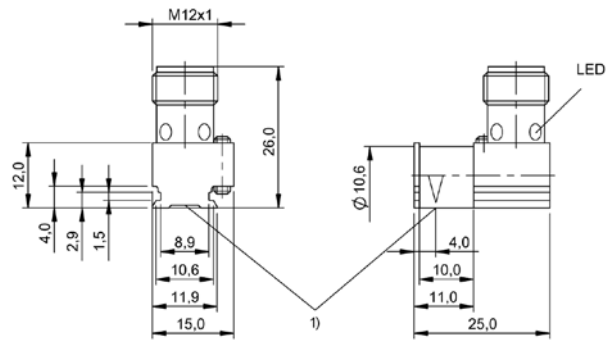
1) Sensing surface

BMF0088



1) Sensing surface

BMF0089



1) Sensing surface

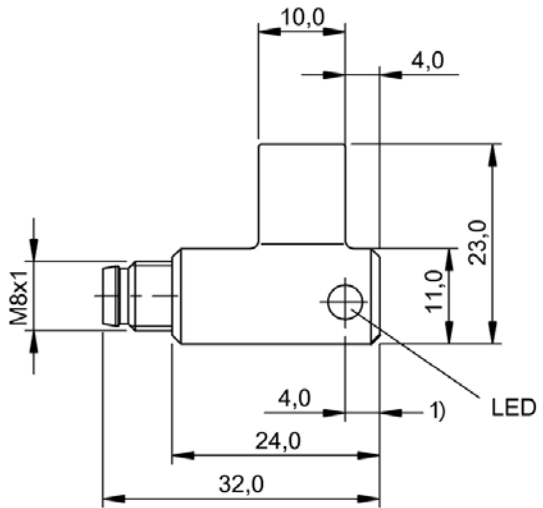
BMF008A



PNP normally open		
NPN normally open	BMF0025 BMF 21K-NS-C-2-S49	
Dimension	11 x 11 x 32 mm	
Connection	M8x1 connector, 3-pin	
Cable	—	
Application	Pneumatic cylinder with tie rods, Pneumatic cylinder with DUO rail, Round cylinder, Profile cylinder	
Housing material	PBT	
Switching frequency	10000 Hz	
Operating voltage U_b	10...30 VDC	
Ambient temperature	-25...85 °C	
Magnetic field immune	—	
Protection degree	IP67	
Approval/Conformity	CE, cULus	
Ex category	—	
Productview	Page 674	

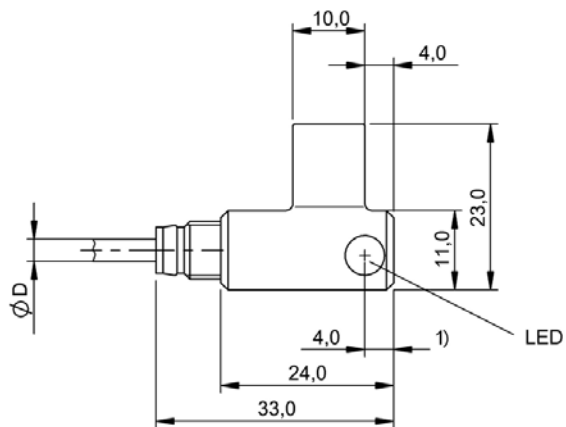


	BMF0029 BMF 21K-PS-C-2-S49	BMF0027 BMF 21K-PS-C-2-PU-03	BMF0028 BMF 21K-PS-C-2-PU-05
	11 x 11 x 32 mm	33 x 23 x 11 mm	33 x 23 x 11 mm
	M8x1 connector, 3-pin	—	—
	—	PUR, 3.00 m	PUR, 5.00 m
	Pneumatic cylinder with tie rods, Pneumatic cylinder with DUO rail, Round cylinder, Profile cylinder	Pneumatic cylinder with tie rods, Pneumatic cylinder with DUO rail, Round cylinder, Profile cylinder	Pneumatic cylinder with tie rods, Pneumatic cylinder with DUO rail, Round cylinder, Profile cylinder
	PBT	PBT	PBT
	10000 Hz	10000 Hz	10000 Hz
	10...30 VDC	10...30 VDC	10...30 VDC
	-25...85 °C	-25...85 °C	-25...85 °C
	—	—	—
	IP67	IP67	IP67
	cULus, CE	CE, cULus	CE, cULus
	—	—	—
	Page 674	Page 674	Page 674



1) Measuring point, 2) Sensing surface

BMF0025, BMF0029



1) Measuring point, 2) Sensing surface

BMF0027, BMF0028



PNP normally open	BMF001R BMF 103K-PS-C-2A-SA95-S75-00,3	BMF004E BMF 303K-PS-C-2A-SA95-S4-00,3	
Dimension	9 x 4.8 x 16 mm	25.5 x 3 x 4.5 mm	
Connection	M8x1 connector, 4-pin	M12x1-Male, 4-pole, A-coded	
Cable	PUR, 0.30 m	PUR, 0.30 m	
Application	Optimized response path especially suited for short-stroke cylinders.	miniaturized actuators	
Mounting	Mounting bracket BMF 103-HW*	Mounting bracket BMF 303-HW*	
Housing material	PBT	LCP	
Switching frequency	30000 Hz	30000 Hz	
Operating voltage U_b	10...30 VDC	10...30 VDC	
Ambient temperature	-25...85 °C	-25...85 °C	
Magnetic field immune	—	—	
Protection degree	IP67	IP67	
Approval/Conformity	CE, cULus	CE, cULus	
Productview	Page 680	Page 680	



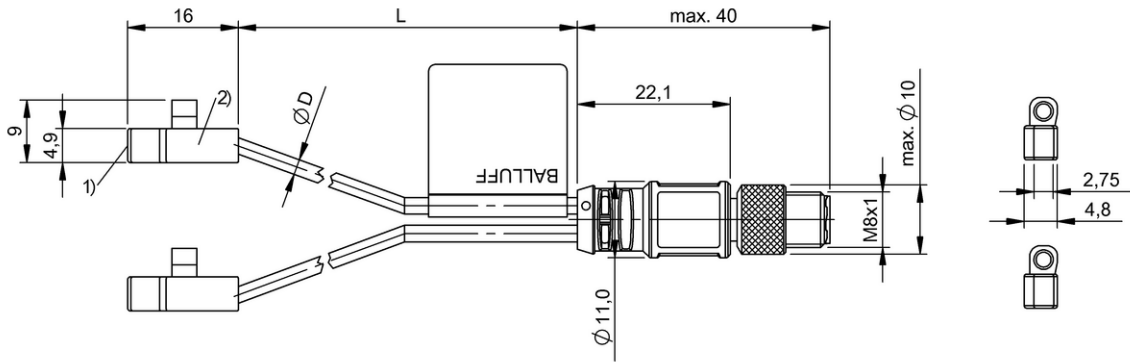
	BMF004F BMF 303K-PS-C-2A-SA95-S75-00,3	BMF0005 BMF 204K-PS-C-2A-SA95-S4-00,3	BMF0006 BMF 204K-PS-C-2A-SA95-S75-00,3	BMF00A4 BMF 214K-PS-C-2A-SA95-S4-00,3
	25.5 x 3 x 4.5 mm	16.8 x 2.9 x 4.5 mm	16.8 x 2.9 x 4.5 mm	33 x 5.1 x 7.2 mm
	M8x1 connector, 4-pin	M12x1-Male, 4-pole, A-coded	M8x1 connector, 4-pin	M12x1-Male, 4-pole, A-coded
	PUR, 0.30 m	PUR, 0.30 m	PUR, 0.30 m	PUR, 0.30 m
	miniaturized actuators	Optimized response path especially suited for short-stroke cylinders.	Optimized response path especially suited for short-stroke cylinders.	Pneumatic cylinder with T-slot. For dimensions, see sketch in product view.
	Mounting bracket BMF 303-HW*	C-slot, Sommer, Festo slot 10	C-slot, Sommer, Festo slot 10	can be installed in T-slot from above
	LCP	PA 12	PA 12	Aluminum
	30000 Hz	7000 Hz	7000 Hz	10 Hz
	10...30 VDC	10...30 VDC	10...30 VDC	10...30 VDC
	-25...85 °C	-25...85 °C	-25...85 °C	-25...70 °C
	—	—	—	weld-immune (AC)
	IP67	IP67	IP67	IP67
	CE, cULus	CE, cULus	CE, cULus	CE, cULus
	Page 681	Page 681	Page 682	Page 685Page 682



PNP normally open	BMF00A5 BMF 214K-PS-C-2A-SA95-S75-00,3	BMF00F9 BMF 243K-PS-C-2A-SA95-S4-00,3	
Dimension	16.8 x 2.9 x 4.5 mm	24 x 3 x 3.75 mm	
Connection	M8x1 connector, 4-pin	M12x1-Male, 4-pole, A-coded	
Cable	PUR, 0.30 m	PUR, 0.30 m	
Application	Optimized response path especially suited for short-stroke cylinders.	Pneumatic cylinder with C-slot, e.g. SMC, Festo*, Schunk, Sommer, Gimatic (*not suitable for Festo Series ADVC and AEVC)	
Mounting	C-slot, SMC, Bimba, Schunk	can be installed in C-slot from above	
Housing material	PA 12	PA 12	
Switching frequency	7000 Hz	3000 Hz	
Operating voltage U_b	10...30 VDC	10...30 VDC	
Ambient temperature	-25...85 °C	-25...85 °C	
Magnetic field immune	—	—	
Protection degree	IP67	IP67	
Approval/Conformity	CE, cULus	CE, cULus	
Productview	Page 683	Page 683	

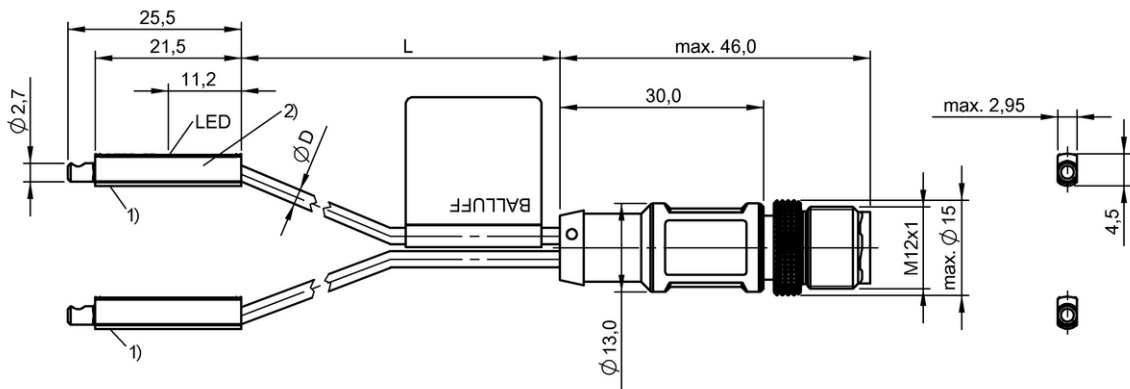


BMF00ET BMF 243K-PS-C-2A-SA95-S75-00,3	BMF00C9 BMF 235K-PS-C-2A-SA95-S4-00,3	BMF00CA BMF 235K-PS-C-2A-SA95-S75-00,3	BMF0084 BMF 315M-PS-W-2-SA95-S4-00,3
24 x 3 x 3.75 mm	23.5 x 5 x 5.5 mm	23.5 x 5 x 5.5 mm	33 x 5.1 x 7.2 mm
M8x1 connector, 4-pin	M12x1-Male, 4-pole, A-coded	M8x1 connector, 4-pin	M12x1-Male, 4-pole, A-coded
PUR, 0.30 m	PUR, 0.30 m	PUR, 0.30 m	PUR, 0.30 m
Pneumatic cylinder with C-slot, e.g. SMC, Festo*, Schunk, Sommer, Gimatic (*not suitable for Festo Series ADVC and AEVC)	Pneumatic cylinder with T-slot. For dimensions, see sketch in product view.	Pneumatic cylinder with T-slot. For dimensions, see sketch in product view.	Pneumatic cylinder with T-slot. For dimensions, see sketch in product view.
can be installed in C-slot from above	can be installed in T-slot from above	can be installed in T-slot from above	can be installed in T-slot from above
PA 12	PA 12	PA 12	Aluminum
3000 Hz	3000 Hz	3000 Hz	10 Hz
10...30 VDC	10...30 VDC	10...30 VDC	10...30 VDC
-25...85 °C	-25...85 °C	-25...85 °C	-25...70 °C
—	—	—	weld-immune (AC)
IP67	IP67	IP67	IP67
CE, cULus	CE, cULus	CE, cULus	CE, cULus
Page 684	Page 684	Page 685	Page 685



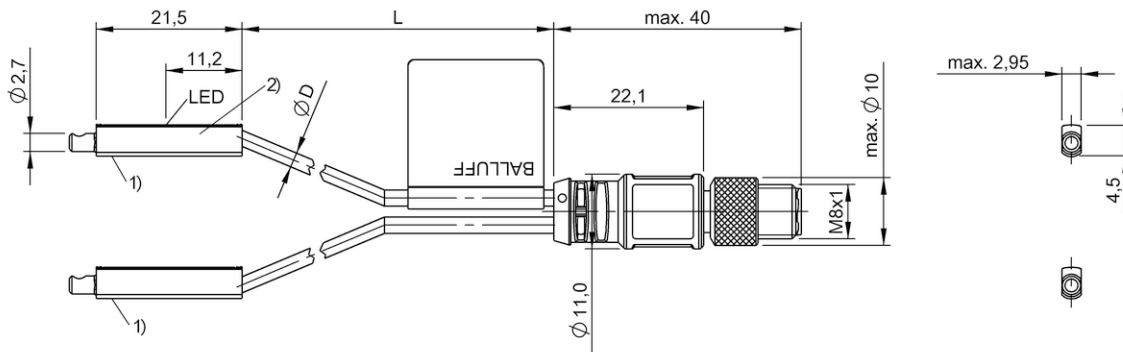
1) Sensing surface, 2) Sensor 1

BMF001R



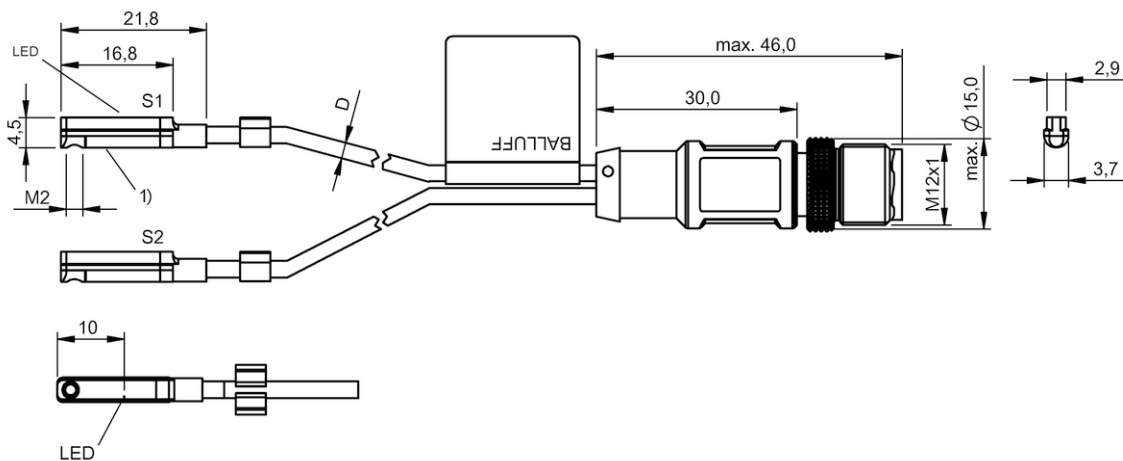
1) Sensing surface, 2) Sensor 1

BMF004E



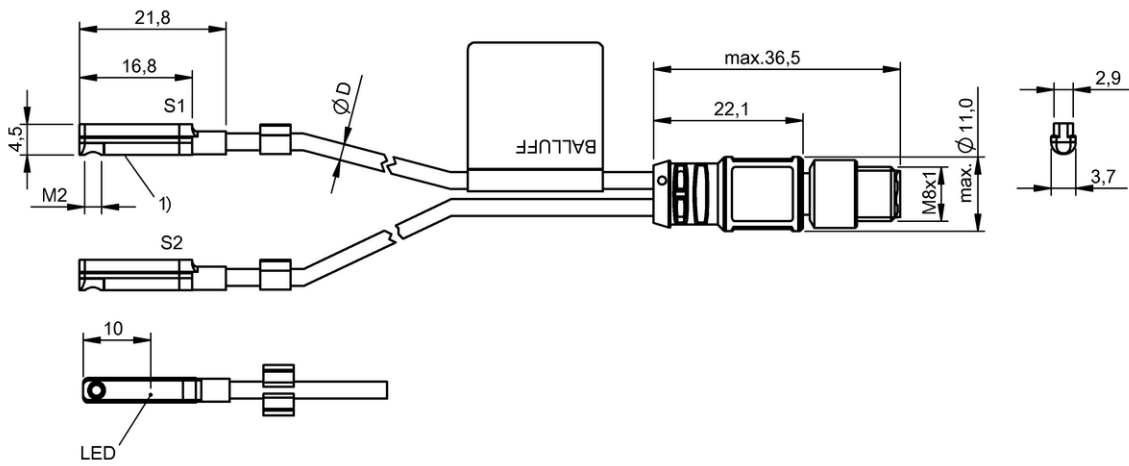
1) Sensing surface, 2) Sensor 1

BMF004F



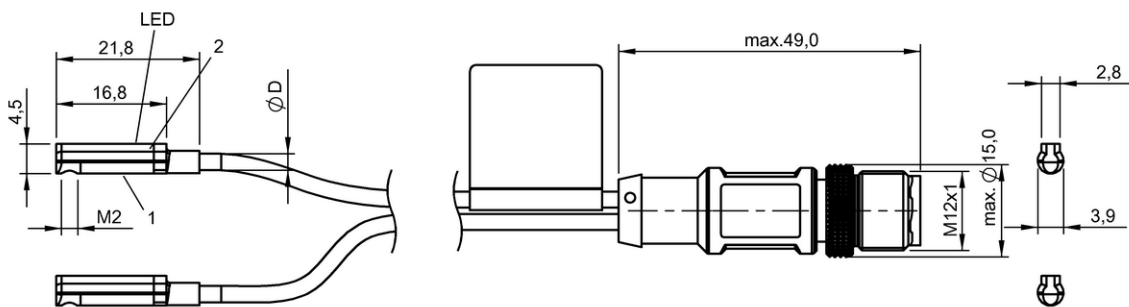
1) Sensing surface

BMF0005



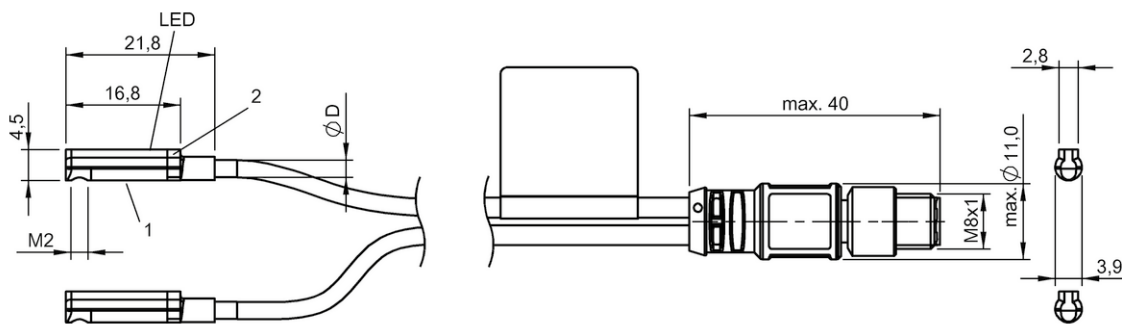
1) Sensing surface

BMF0006



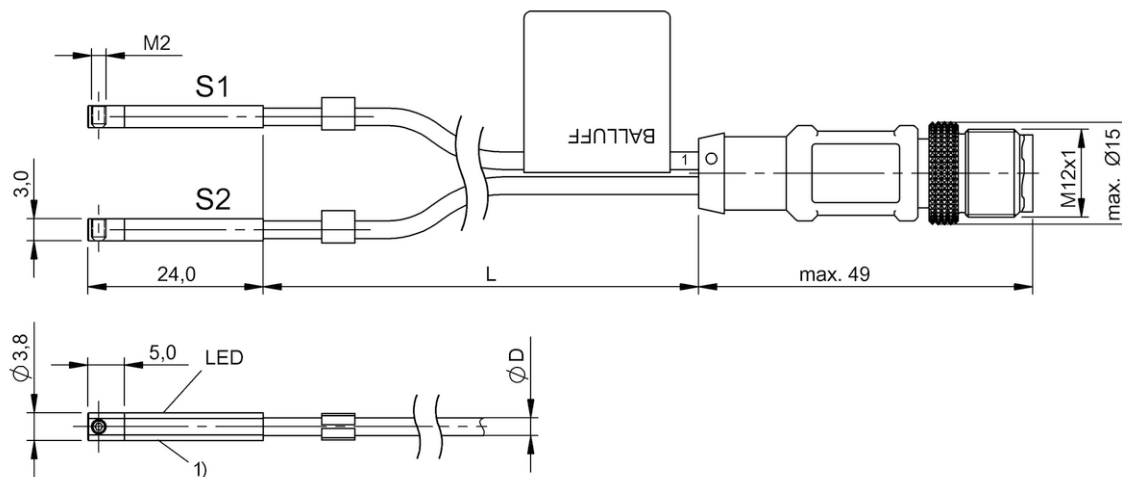
1) Sensing surface, 2) Sensor 1

BMF00A4



1) Sensing surface, 2) Sensor 1

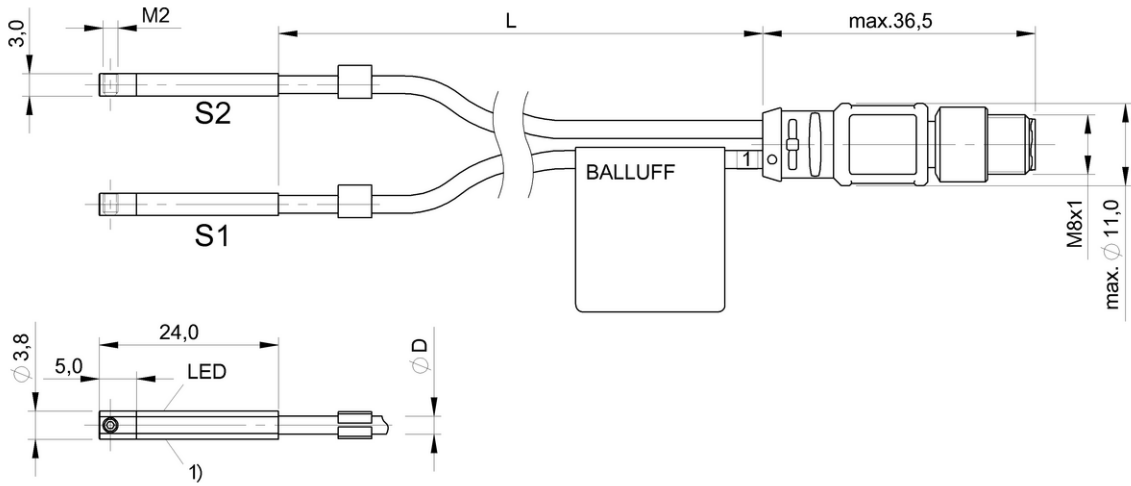
BMF00A5



1) Sensing surface

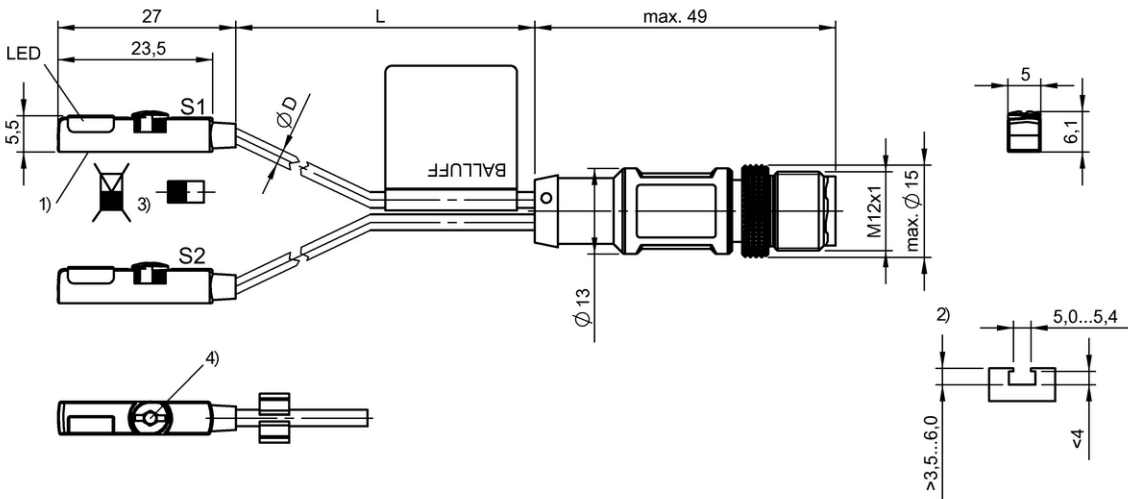
BMF00F9

Do you need more details? Our Product Finder at www.balluff.com provides you with product-specific information, including technical drawings, data sheets, user guides and more for each individual product. All items are available for download.



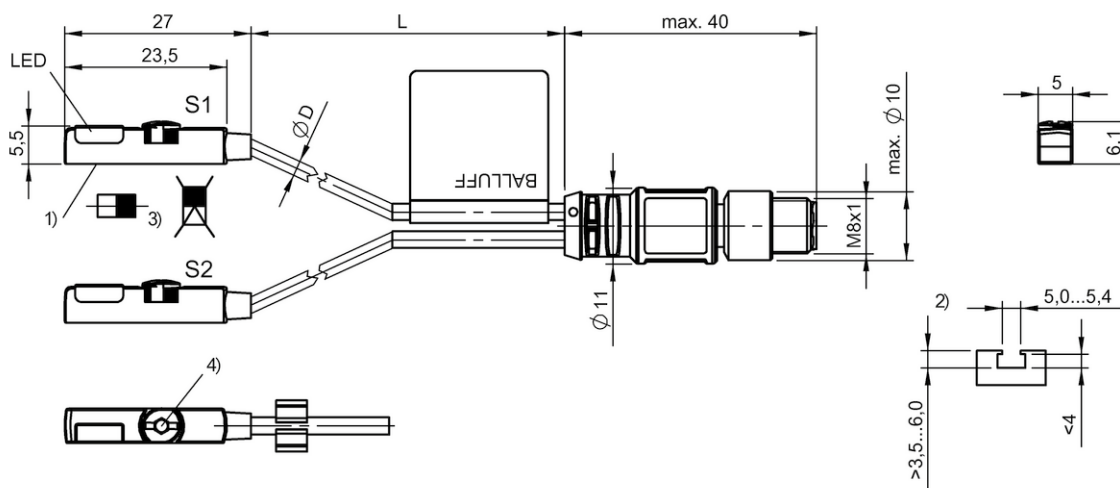
1) Sensing surface

BMF00ET



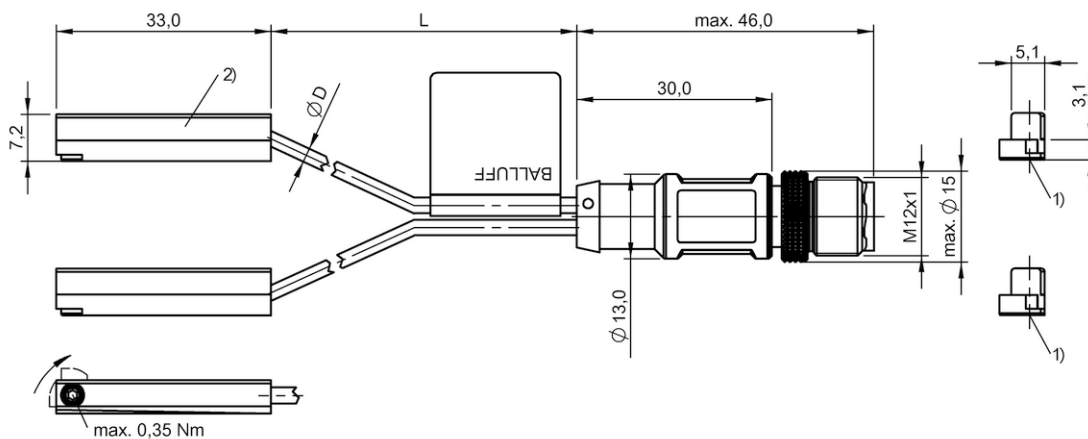
1) Sensing surface, 2) see remarks, 3) see remarks, 4) see remarks

BMF00C9



1) Sensing surface, 2) see remarks, 3) see remarks, 4) see remarks

BMF00CA



1) Sensing surface, 2) Sensor 1

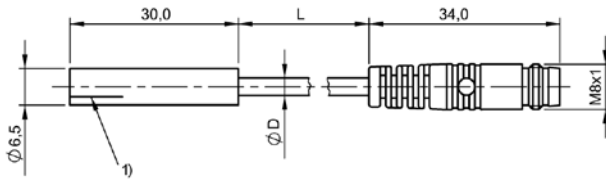
BMF0084



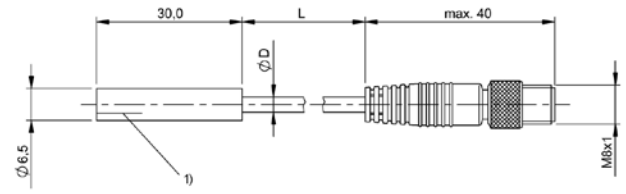
PNP normally open	BMF000K BMF 07M-PS-D-2-S49-00,3	BMF000L BMF 07M-PS-D-2-SA2-S49-00,3	BMF000J BMF 07M-PS-D-2-S4-00,6	
NPN normally open				
Dimension	Ø 6.5 x 30 mm	Ø 6.5 x 30 mm	Ø 6.5 x 30 mm	
Connection	M8x1 connector, 3-pin	M8x1 connector, 3-pin	M12x1-Male, 4-pole, A-coded	
Cable	PUR, 0.30 m	PUR, 0.30 m	PUR, 0.60 m	
Application	Flexible mounting, Switching distances > 20 mm possible	Flexible mounting, Switching distances > 20 mm possible	Flexible mounting, Switching distances > 20 mm possible	
Mounting	Clamps	Clamps	Clamps	
Housing material	Brass	Brass	Brass	
Switching frequency	10000 Hz	10000 Hz	10000 Hz	
Operating voltage U_b	10...30 VDC	10...30 VDC	10...30 VDC	
Ambient temperature	-25...85 °C	-25...85 °C	-25...85 °C	
Protection degree	IP67	IP67	IP67	
Approval/Conformity	cULus, CE	cULus, CE	CE, cULus	
Productview	Page 688	Page 688	Page 688	



	BMF000F BMF 07M-PS-C-2-KPU-03	BMF000P BMF 08M-PS-C-2-KPU-02		BMF000R BMF 08M-PS-C-2-KPU-03	BMF000T BMF 08M-PS-C-2-KPU-05
			BMF000N BMF 08M-NS-C-2-KPU-03		
	Ø 6.5 x 30.5 mm	Ø 8 x 30.5 mm	Ø 8 x 30.5 mm	Ø 8 x 30.5 mm	Ø 8 x 30.5 mm
	—	—	—	—	—
	PUR, 3.00 m	PUR, 2.00 m	PUR, 3.00 m	PUR, 3.00 m	PUR, 5.00 m
	Flexible mounting, Switching distances > 20 mm possible	Flexible mounting, Switching distances > 20 mm possible	Flexible mounting, Switching distances > 20 mm possible	Flexible mounting, Switching distances > 20 mm possible	Flexible mounting, Switching distances > 20 mm possible
	Clamps	Clamps	Clamps	Clamps	Clamps
	Brass	Brass	Brass	Brass	Brass
	10000 Hz	10000 Hz	10000 Hz	10000 Hz	10000 Hz
	10...30 VDC	10...30 VDC	10...30 VDC	10...30 VDC	10...30 VDC
	-25...85 °C	-25...85 °C	-25...85 °C	-25...85 °C	-25...85 °C
	IP67	IP67	IP67	IP67	IP67
	cULus, CE	cULus, CE	cULus, CE	cULus, CE	CE, cULus
	Page 688	Page 688	Page 688	Page 688	Page 688

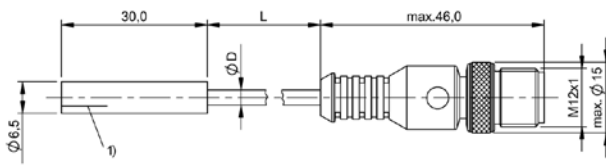


BMF000K



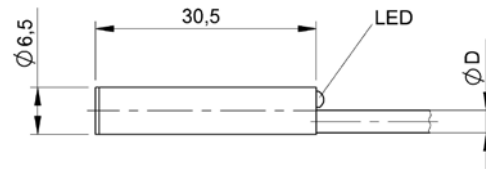
1) see remarks

BMF000L

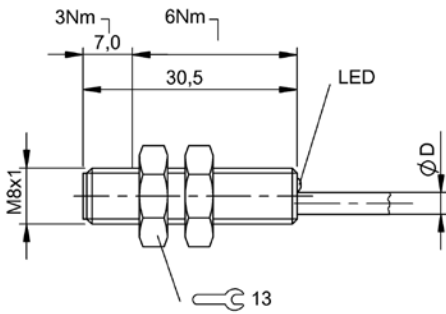


1) see remarks

BMF000J



BMF000F



BMF000P, BMF000N, BMF000R, BMF000T

