

High-quality gear for virtually any application

ACCESSORIES

 *innovating automation*



Our great selection of high-quality accessories supports you in the optimum embedding of the sensor in machines and systems. Through easy assembly and installation, exact positioning and high machine availability. The wide Balluff product range offers the optimum gear for nearly every application.

Your Balluff solutions

- Fastening technology
- Lighting for Vision Systems
- Reflectors, fibers, optics
- Mechanical protection
- Signal converters and communication adapters
- Mechanical accessories

ACCESSORIES



296

**REFLECTORS,
FIBERS, OPTICS**

- 298 Reflectors and reflective foils
- 316 Optics: Diaphragms, filters, lenses, deflectors



346

**MECHANICAL
PROTECTION**

- 348 Protective tubes for cables
- 354 Plunger probe solutions
- 368 Protective caps and port covers
- 376 Protective housing
- 386 Sabotage protection
- 390 Mechanical Protection



394

FASTENING TECHNOLOGY

- 396 Flexible mounting system
- 418 Proximity sensor mounts with positive stops
- 428 Prox sensor mounts without positive stops
- 432 Universal brackets
- 452 Holders for Human Machine Interface
- 456 Brackets for vision sensors, SmartCameras and lights
- 460 Brackets for RFID systems
- 468 Safety Brackets
- 476 Mounting bracket for photoelectric sensors
- 488 Mounting brackets for magnetic sensors
- 510 BTL/BML holder: Control arms
- 514 Nuts



518

**MECHANICAL
ACCESSORIES**

- 520 Rangefinder / tool
- 524 Control arm for profile style
- 528 Magnet for profile style
- 532 Magnet for rod style
- 540 Mechanical Accessories



544

**LIGHTING FOR
VISION SYSTEMS
AND MACHINES**

- 546 Dark field lights
- 548 Background lights
- 556 Ring lights
- 560 Strip lights
- 564 Coaxial lights
- 568 Spot lights
- 572 Line lasers
- 576 Machine lights



586

**SIGNAL CONVERTERS AND
COMMUNICATION ADAPTERS**

- 588 Analog switching amplifier
- 590 Communication adapter
- 592 Signal converter
- 602 Signal amplifier



606

**BASICS AND
GLOSSARY**



High-quality accessories system for optical applications

REFLECTORS, FIBERS, OPTICS



Our accessories for optical applications include round and square reflectors and reflex films. You can obtain plastic and glass fibers as well as shields, lenses, filters and deflecting mirrors.

The optical accessory system is qualified for Balluff sensors and available in various versions, including for demanding applications.

The most important benefits

- High quality and flexible
- Simple to install
- Compatibility

Sensors

RFID

Machine Vision and
Optical Identification

Human Machine
Interfaces

Systems

Safety

Industrial Networking

Power Supplies

Connectivity



	BAM01CF BOS R-40	BAM01HF BOS R-45	BAM00UM BOS R-12	
Version	Reflective foil, micro-pyramids	Reflective foil, micro-pyramids	Cube corner 0.9 mm	
Use	for photoelectric retroreflective sensors, for photoelectric laser retroreflective sensors	for photoelectric retroreflective sensors, for photoelectric laser retroreflective sensors	for photoelectric retroreflective sensors, for photoelectric laser retroreflective sensors	
Style	Film cutoff, Rectangular	Film cutoff, Rectangular	Square, 2 mounting holes	
Dimension	50 x 100 x 0.6 mm	200 x 300 x 0.5 mm	14 x 23 x 4.9 mm	
Sensing surface	50.0 cm ²	600.0 cm ²	1.7 cm ²	
Ambient temperature	-20...60 °C	-20...60 °C	-20...60 °C	
Material sensing surface	PMMA, rear coated Al	PMMA, rear coated Al	PMMA	
Material	Film	Film	ABS	
Light type	non-polarized light, also for polarized light	non-polarized light, also for polarized light	non-polarized light, also for polarized light	
Mounting	Self-adhesive	Self-adhesive	Adhesive, Screw M1.5	
Approval/Conformity	—	—	—	
Productview	Page 310	Page 310	Page 310	



	BAM00UY BOS R-22	BAM01H9 BOS R-41	BAM023T BOS R-55	BAM023U BOS R-56	BAM00UN BOS R-13
	Cube corner 1.2 mm	Cube corner 1.2 mm	Cube corner 1.1 mm	Micro-pyramids	Cube corner 1.2 mm
	for photoelectric retro-reflective sensors, for photoelectric laser retroreflective sensors	for photoelectric retro-reflective sensors, for photoelectric laser retroreflective sensors	for photoelectric retro-reflective sensors, for photoelectric laser retroreflective sensors	for photoelectric retro-reflective sensors, for photoelectric laser retroreflective sensors	for photoelectric retro-reflective sensors, for photoelectric laser retroreflective sensors
	Square, 2 mounting holes	Square, 2 mounting holes	Square, 2 mounting holes	Square, 2 mounting holes	Cylinder
	51 x 61 x 7.5 mm	10 x 40 x 3.7 mm	20 x 32 x 3 mm	20 x 32 x 3 mm	25 x 5.5 mm
	22.6 cm ²	1.4 cm ²	2.7 cm ²	2.7 cm ²	3.3 cm ²
	-20...60 °C	-20...60 °C	-20...140 °C	-20...60 °C	-20...60 °C
	PMMA	PMMA	Solidchem	PMMA	PMMA
	ABS	ABS	Solidchem	ABS	ABS
	non-polarized light, also for polarized light	non-polarized light, also for polarized light	non-polarized light, also for polarized light	non-polarized light, also for polarized light	non-polarized light, also for polarized light
	Adhesive, Screw M4	Adhesive, Screw M3	Screw M3	Screw M3	Adhesive
	—	—	Solidchem, TÜV Rheinland, Ecolab	—	—
	Page 310	Page 310	Page 310	Page 310	Page 310

Sensors

RFID

Machine Vision and Optical Identification

Human Machine Interfaces

Systems

Safety

Industrial Networking

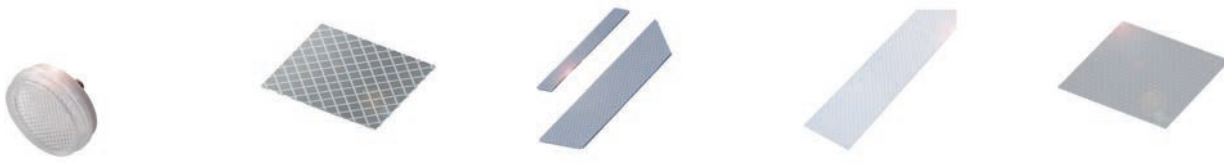
Power Supply

Connectivity

Accessories



	BAM00OUT BOS R-16	BAM01H7 BOS R-38	BAM01HA BOS R-42	
Version	Cube corner 1.2 mm	Cube corner 0.9 mm	Cube corner 0.9 mm	
Use	for photoelectric retro-reflective sensors, for photoelectric laser retroreflective sensors	for photoelectric retro-reflective sensors, for photoelectric laser retroreflective sensors	for photoelectric retro-reflective sensors, for photoelectric laser retroreflective sensors	
Style	Cylinder	Cylinder with threaded pin	Cylinder with threaded pin	
Dimension	Ø 21 x 5.2 mm	Ø 10 x 13.6 mm	Ø 19 x 14.6 mm	
Sensing surface	1.9 cm ²	0.3 cm ²	1.9 cm ²	
Ambient temperature	-20...60 °C	-20...60 °C	-20...60 °C	
Material sensing surface	PMMA	PMMA	PMMA	
Material	ABS	ABS	ABS	
Light type	non-polarized light, also for polarized light	non-polarized light, also for polarized light	non-polarized light, also for polarized light	
Mounting	Adhesive	M3 nut	M3 nut	
Approval/Conformity	—	—	—	
Productview	Page 311	Page 311	Page 311	



	BAM01HC BOS R-43	BAM0333 BAM RF-XO-030-S000/04-PM-FA	BAM00W6 BOS R-32-0,40	BAM00W9 BOS R-35	BAM01JM BOS R-50
	Cube corner 1.2 mm	Reflective foil, micro-pyramids	Reflective foil, micro-pyramids	Reflective film, micro-glass balls	Reflective foil, micro-pyramids
	for photoelectric retro-reflective sensors, for photoelectric laser retroreflective sensors	for photoelectric retro-reflective sensors	for photoelectric retro-reflective sensors	for photoelectric retro-reflective sensors	for photoelectric retro-reflective sensors
	Cylinder with threaded pin	Film cutoff, Rectangular	Film cutoff, Rectangular	Film cutoff, Rectangular	Film cutoff, Rectangular
	Ø 25 x 15.5 mm	35 x 40 x 0.5 mm	50 x 90 x 0.5 mm	200 x 200 x 0.5 mm	100 x 100 x 0.5 mm
	3.3 cm ²	14.0 cm ²	45.0 cm ²	400.0 cm ²	100.0 cm ²
	-20...60 °C	-20...60 °C	-20...60 °C	-20...60 °C	-20...60 °C
	PMMA	Acrylic	PMMA	Glass	PMMA
	ABS	Film	Film	Film	Film
	non-polarized light, also for polarized light	non-polarized light, also for polarized light	non-polarized light, also for polarized light	non-polarized light	non-polarized light, also for polarized light
	M4 nut	Self-adhesive	Self-adhesive	Self-adhesive	Self-adhesive
	—	—	—	—	—
	Page 311	Page 311	Page 311	Page 311	Page 311

Sensors

RFID

Machine Vision and Optical Identification

Human Machine Interfaces

Systems

Safety

Industrial Networking

Power Supply

Connectivity

Accessories



	BAM00WC BOS R-6-0,25	BAM00WE BOS R-6-45	BAM02R3 BOS R-60-22	
Version	Reflective foil, micro-pyramids	Reflective foil, micro-pyramids	Reflective foil, micro-pyramids	
Use	for photoelectric retroreflective sensors	for photoelectric retroreflective sensors	for photoelectric retroreflective sensors	
Style	Film cutoff, Rectangular	Foil web	Foil web	
Dimension	50 x 250 x 0.3 mm	50 mm x 45 m x 0.3 mm	100 x 0.5 mm	
Sensing surface	125.0 cm ²	22850.0 cm ²	22800.0 cm ²	
Ambient temperature	-20...60 °C	-20...60 °C	-20...60 °C	
Material sensing surface	PMMA	PMMA	PMMA	
Material	Film	Film	Film	
Light type	non-polarized light	non-polarized light	non-polarized light, also for polarized light	
Mounting	Self-adhesive	Self-adhesive	Self-adhesive	
Approval/Conformity	—	—	—	
Productview	Page 312	Page 312	Page 312	



	BAM00WF BOS R-7-0,25	BAM00WH BOS R-7-22	BAM00WJ BOS R-8-0,25	BAM00WK BOS R-8-22	BAM0330 BAM RF-XO-025-S023/40-PM-AS
	Reflective foil, micro-pyramids	Reflective foil, micro-pyramids	Reflective foil, micro-pyramids	Reflective foil, micro-pyramids	Cube corner 4 mm
	for photoelectric retroreflective sensors	for photoelectric retroreflective sensors	for photoelectric retroreflective sensors	for photoelectric retroreflective sensors	for photoelectric retroreflective sensors
	Film cutoff, Rectangular	Foil web	Film cutoff, Rectangular	Foil web	Square, 2 mounting holes
	50 x 250 x 0.5 mm	50 mm x 22 m x 0.5 mm	25 x 250 x 0.5 mm	25 mm x 22 m x 0.5 mm	51 x 72 x 7.3 mm
	125.0 cm ²	11000.0 cm ²	62.5 cm ²	5500.0 cm ²	22.6 cm ²
	-20...60 °C	-20...60 °C	-20...60 °C	-20...60 °C	-20...60 °C
	PMMA	PMMA	PMMA	PMMA	PMMA
	Film	Film	Film	Film	ABS
	non-polarized light, also for polarized light	non-polarized light, also for polarized light	non-polarized light, also for polarized light	non-polarized light, also for polarized light	non-polarized light, also for polarized light
	Self-adhesive	Self-adhesive	Self-adhesive	Self-adhesive	Screw M4
	—	—	—	—	—
	Page 312	Page 312	Page 312	Page 312	Page 312

Sensors

RFID

Machine Vision and Optical Identification

Human Machine Interfaces

Systems

Safety

Industrial Networking

Power Supply

Connectivity

Accessories



	BAM0331 BAM RF-X0-026-S012/40-PM-AS	BAM0332 BAM RF-X0-027-S004/25-PM-AS	BAM00UL BOS R-11	
Version	Cube corner 4 mm	Cube corner 1.2 mm	Cube corner 4 mm	
Use	for photoelectric retro-reflective sensors	for photoelectric retro-reflective sensors	for photoelectric retro-reflective sensors	
Style	Square, 2 mounting holes	Square, 2 mounting holes	Square, 2 mounting holes	
Dimension	35 x 42 x 8.6 mm	12.9 x 33.4 x 11.2 mm	84 x 84 x 9.1 mm	
Sensing surface	9.6 cm ²	2.2 cm ²	63.7 cm ²	
Ambient temperature	-20...60 °C	-20...60 °C	-20...60 °C	
Material sensing surface	PMMA	PMMA	PMMA	
Material	ABS	ABS	ABS	
Light type	non-polarized light, also for polarized light	non-polarized light, also for polarized light	non-polarized light, also for polarized light	
Mounting	Screw M3	Screw M3	Adhesive, Screw M3	
Approval/Conformity	—	—	—	
Productview	Page 313	Page 313	Page 313	



	BAM00W7 BOS R-33	BAM00W8 BOS R-34	BAM01CM BOS R-36	BAM01HE BOS R-44	BAM01JP BOS R-46
	Cube corner 4 mm	Cube corner 4 mm	Cube corner 4 mm	Cube corner 4 mm	Cube corner 4 mm
	for photoelectric retroreflective sensors	for photoelectric retroreflective sensors	for photoelectric retroreflective sensors	for photoelectric retroreflective sensors	for photoelectric retroreflective sensors
	Square, 2 mounting holes	Square, 2 mounting holes	Square, 2 mounting holes	Square, 2 mounting holes	Square, 2 mounting holes
	19 x 60 x 6.1 mm	40 x 60 x 7.5 mm	40 x 60 x 7.5 mm	40 x 60 x 7.5 mm	40 x 60 x 7.5 mm
	4.9 cm ²	19.9 cm ²	19.9 cm ²	19.9 cm ²	19.9 cm ²
	-20...60 °C	-20...150 °C	-20...60 °C	-20...140 °C	-20...60 °C
	PMMA	HOT	PMMA Anti-fog coated	Solidchem	PMMA
	ABS	HOT	ABS	Solidchem	ABS
	non-polarized light, also for polarized light	non-polarized light, also for polarized light	non-polarized light, also for polarized light	non-polarized light, also for polarized light	non-polarized light, also for polarized light
	Adhesive, Screw M4	Adhesive, Screw M3	Adhesive, Screw M3	Adhesive, Screw M3	Adhesive, Screw M3
	—	—	—	Solidchem, TÜV Rheinland, Ecolab	—
	Page 313	Page 313	Page 313	Page 313	Page 313

Sensors

RFID

Machine Vision and
Optical Identification

Human Machine
Interfaces

Systems

Safety

Industrial Networking

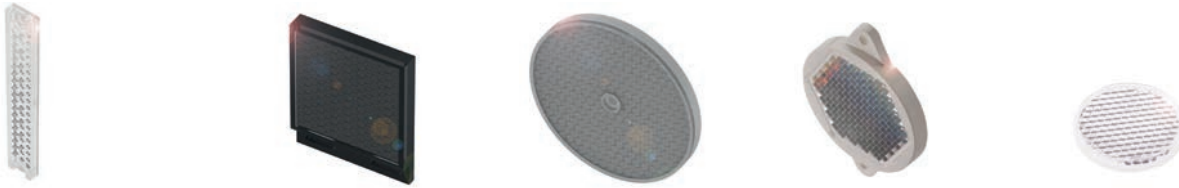
Power Supply

Connectivity

Accessories



	BAM01JN BOS R-47	BAM01LA BOS R-48	BAM01NH BOS R-49	
Version	Cube corner 4 mm	Cube corner 4 mm	Cube corner 0.9 mm	
Use	for photoelectric retro-reflective sensors	for photoelectric retro-reflective sensors	for photoelectric retro-reflective sensors	
Style	Square, 2 mounting holes	Square, 2 mounting holes	Square, 2 mounting holes	
Dimension	100 x 100 x 9.2 mm	23 x 82 x 7.5 mm	14 x 23 x 4.9 mm	
Sensing surface	92.5 cm ²	10.0 cm ²	1.7 cm ²	
Ambient temperature	-20...60 °C	-20...60 °C	-20...110 °C	
Material sensing surface	PMMA	PMMA	HOT	
Material	ABS	ABS	HOT	
Light type	non-polarized light, also for polarized light	non-polarized light, also for polarized light	non-polarized light, also for polarized light	
Mounting	Adhesive, Screw M3	Adhesive, Screw M3	Adhesive, Screw M1.5	
Approval/Conformity	—	—	—	
Productview	Page 314	Page 314	Page 314	



	BAM00WA BOS R-5	BAM00WL BOS R-9	BAM00UK BOS R-1	BAM0126 BOS R-10	BAM00UP BOS R-14
	Cube corner 4 mm	Cube corner 4 mm	Cube corner 4 mm	Cube corner 4 mm	Cube corner 4 mm
	for photoelectric retroreflective sensors	for photoelectric retroreflective sensors	for photoelectric retroreflective sensors	for photoelectric retroreflective sensors	for photoelectric retroreflective sensors
	Square, 2 mounting holes	Square, 2 mounting holes	Cylinder, 1 fastening hole	Cylinder, 2 mounting holes	Cylinder with expanding rivet
	18 x 120 x 6 mm	51 x 61 x 8 mm	Ø 84 x 7.3 mm	Ø 62 x 8.8 mm	Ø 51 x 7.4 mm
	13.9 cm ²	22.6 cm ²	50.9 cm ²	20.4 cm ²	17.7 cm ²
	-20...60 °C	-20...60 °C	-20...60 °C	-20...60 °C	-20...100 °C
	PMMA	PMMA	PMMA	PMMA	PC
	ABS	ABS	ABS	ABS	PC
	non-polarized light, also for polarized light	non-polarized light, also for polarized light	non-polarized light, also for polarized light	non-polarized light, also for polarized light	non-polarized light, also for polarized light
	Adhesive, Screw M4	Adhesive, Screw M4	Adhesive, Screw M4	Adhesive, Screw M4	Diameter 6.0 mm
	—	—	—	—	—
	Page 314	Page 314	Page 314	Page 314	Page 314

Sensors

RFID

Machine Vision and Optical Identification

Human Machine Interfaces

Systems

Safety

Industrial Networking

Power Supply

Connectivity

Accessories



	BAM00UR BOS R-15	BAM00UW BOS R-2	BAM00W4 BOS R-3	
Version	Cube corner 2 mm	Cube corner 2.5 mm	Cube corner 2 mm	
Use	for photoelectric retro-reflective sensors	for photoelectric retro-reflective sensors	for photoelectric retro-reflective sensors	
Style	Cylinder	Cylinder	Cylinder	
Dimension	Ø 21 x 5.2 mm	Ø 46 x 6.5 mm	Ø 21 x 5.2 mm	
Sensing surface	2.4 cm ²	11.6 cm ²	1.9 cm ²	
Ambient temperature	-20...100 °C	-20...60 °C	-20...60 °C	
Material sensing surface	HOT	PMMA	PMMA	
Material	HOT	ABS	ABS	
Light type	non-polarized light, also for polarized light	non-polarized light, also for polarized light	non-polarized light, also for polarized light	
Mounting	Glue	Glue	Glue	
Approval/Conformity	—	—	—	
Productview	Page 315	Page 315	Page 315	



BAM01H6 B0SR-31				
Cube corner 5 mm				
for photoelectric retroreflective sensors				
Cylinder				
Ø 52 x 9 mm				
14.3 cm ²				
-20...500 °C				
Borosilicate crown glass				
Borosilicate crown glass				
non-polarized light, also for polarized light				
Clamps				
—				
Page 315				

Sensors

RFID

Machine Vision and Optical Identification

Human Machine Interfaces

Systems

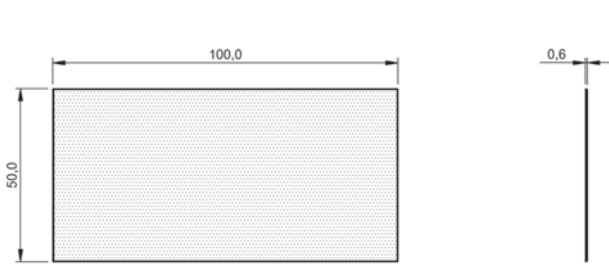
Safety

Industrial Networking

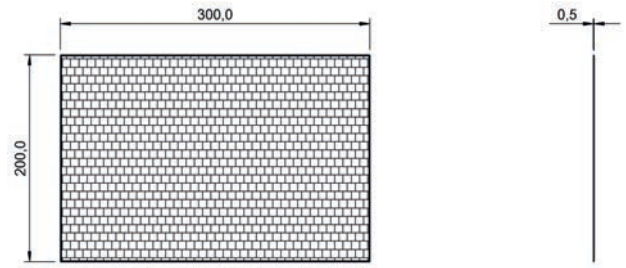
Power Supply

Connectivity

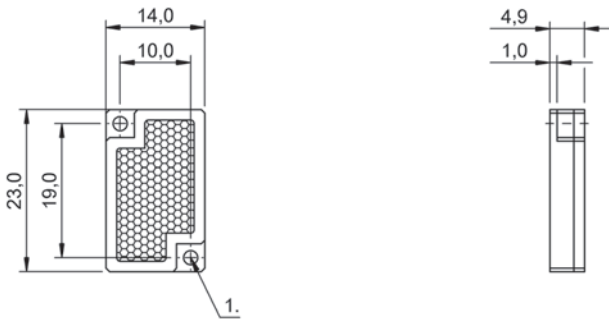
Accessories



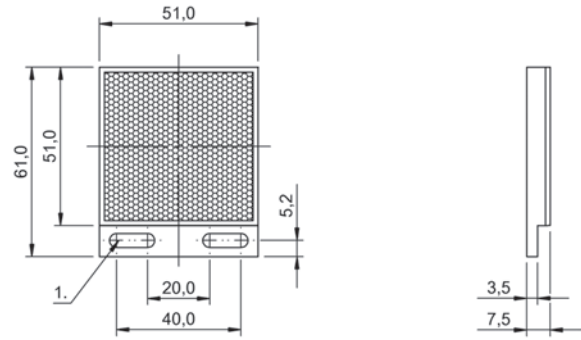
BAM01CF



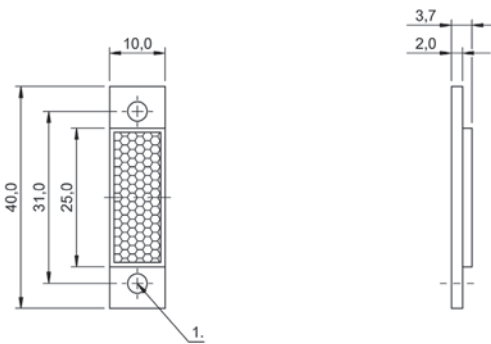
BAM01HF



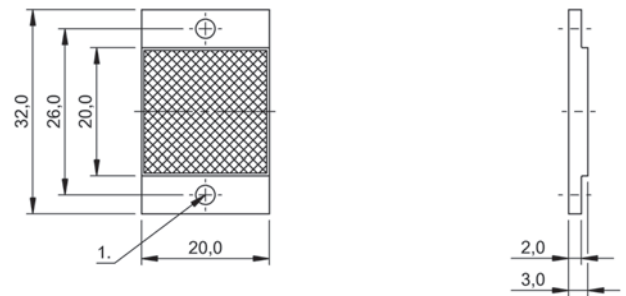
BAM00UM



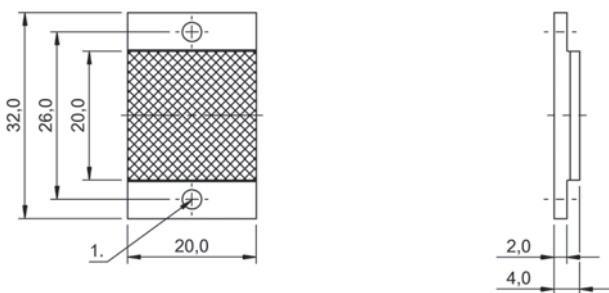
BAM00UY



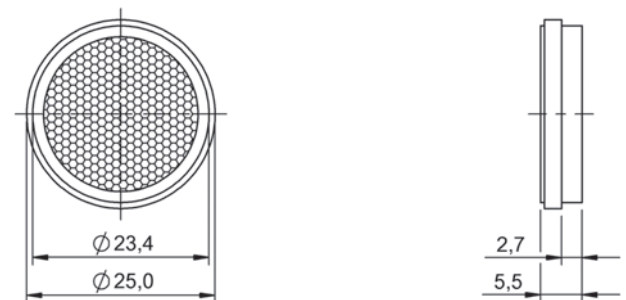
BAM01H9



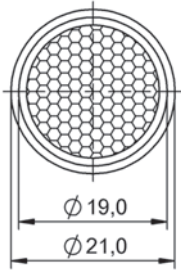
BAM023T



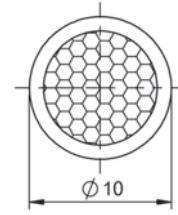
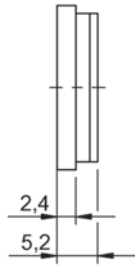
BAM023U



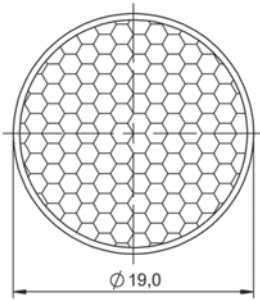
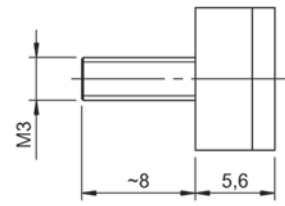
BAM00UN



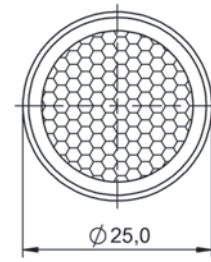
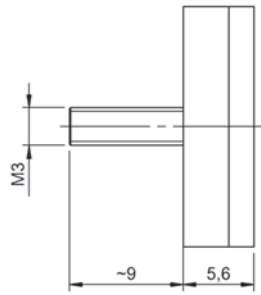
BAM00UT



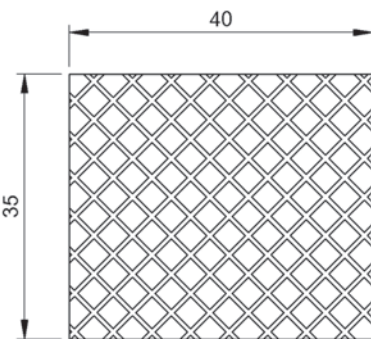
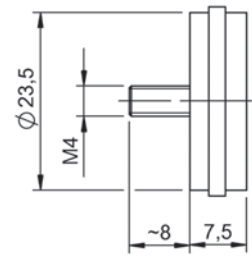
BAM01H7



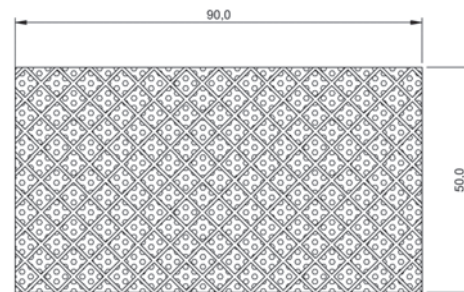
BAM01HA



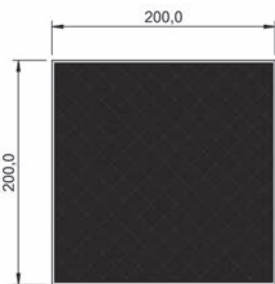
BAM01HC



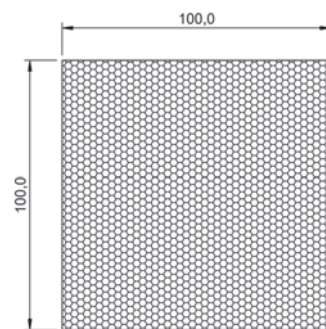
BAM0333



BAM00W6

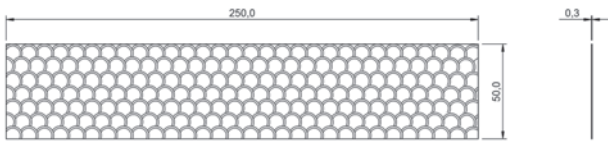


BAM00W9

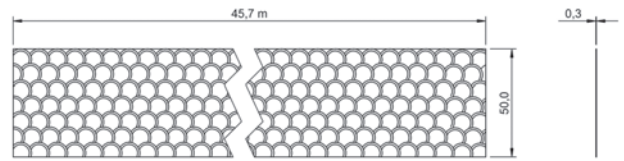


BAM01JM

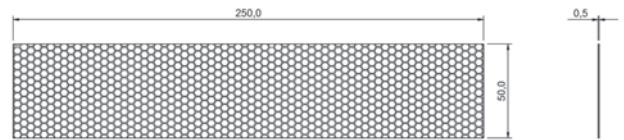
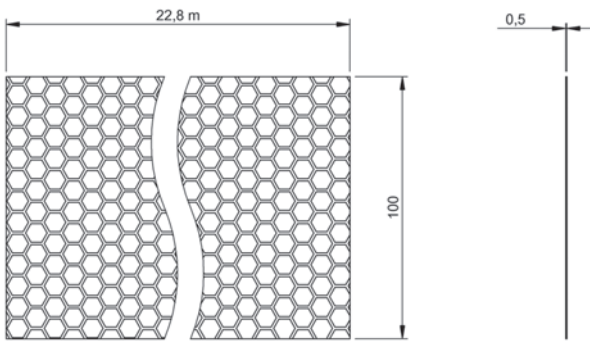




BAM00WC

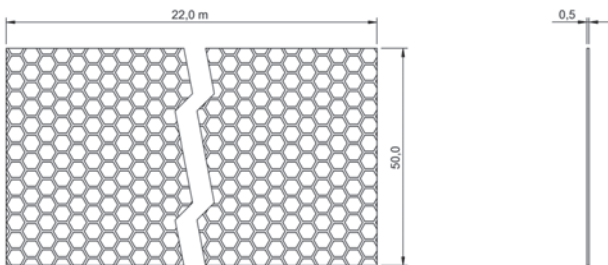


BAM00WE



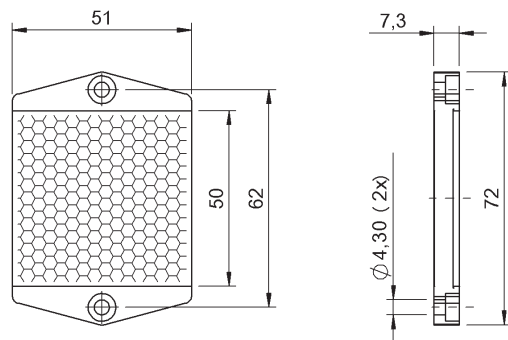
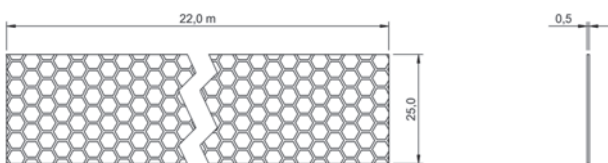
BAM02R3

BAM00WF



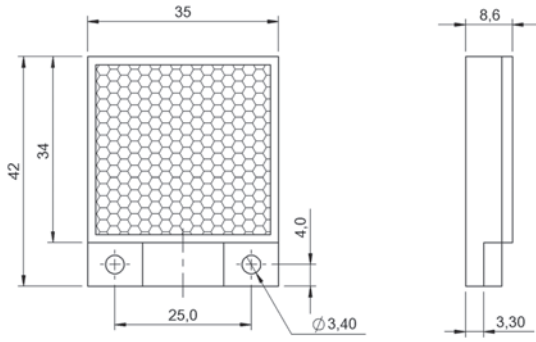
BAM00WH

BAM00WJ

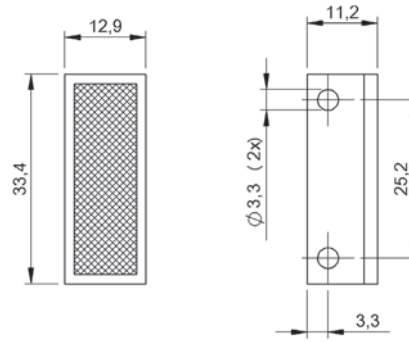


BAM00WK

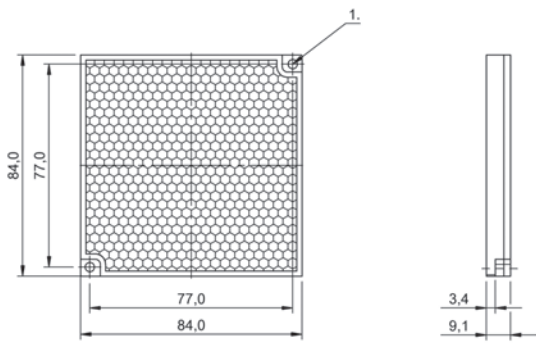
BAM0330



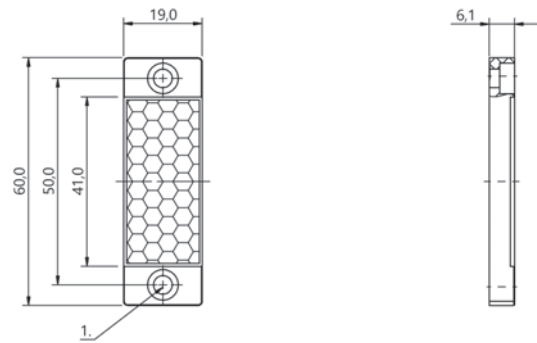
BAM0331



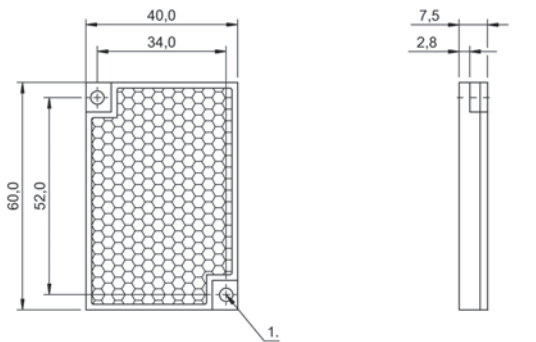
BAM0332



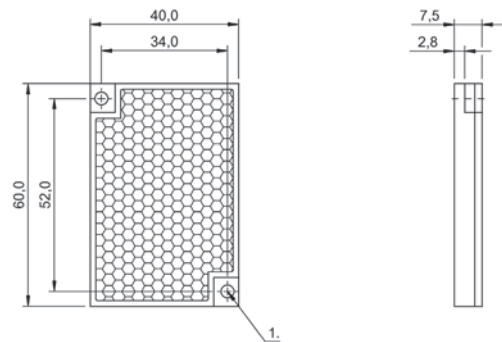
BAM00UL



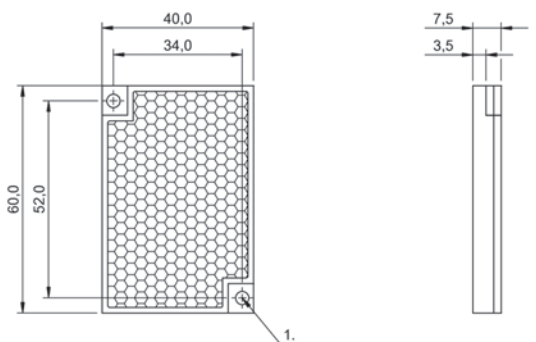
BAM00W7



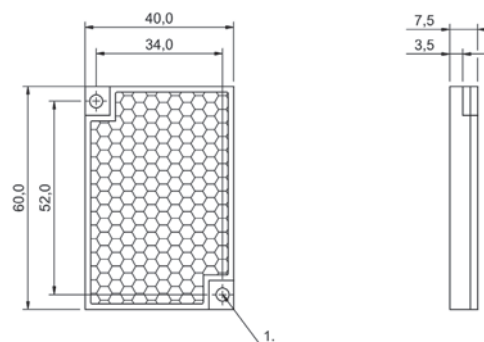
BAM00W8



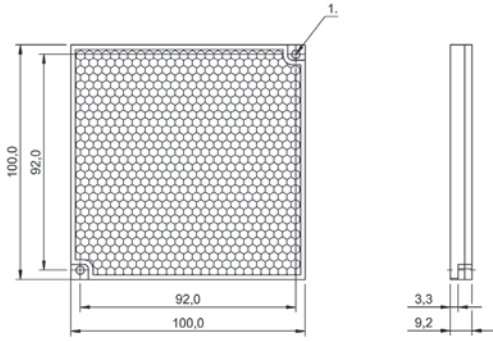
BAM01CM



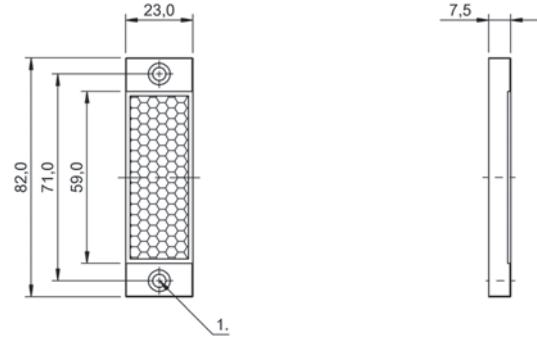
BAM01HE



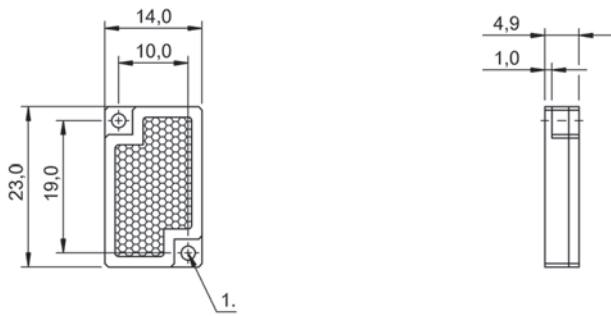
BAM01JP



BAM01JN

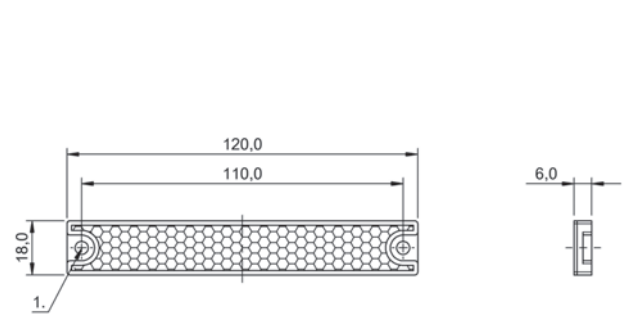


BAM01LA

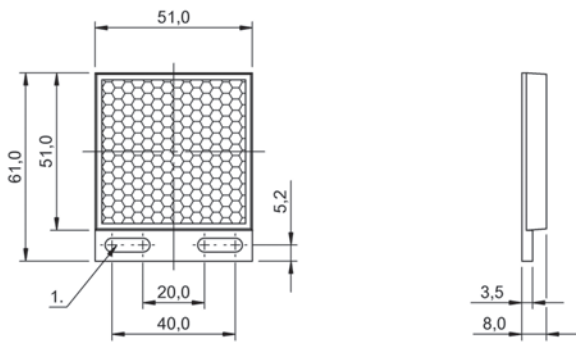


1) for M1.5

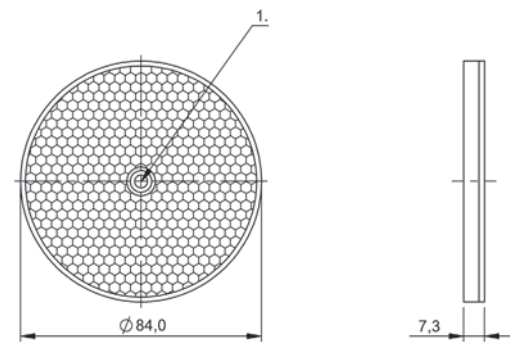
BAM01NH



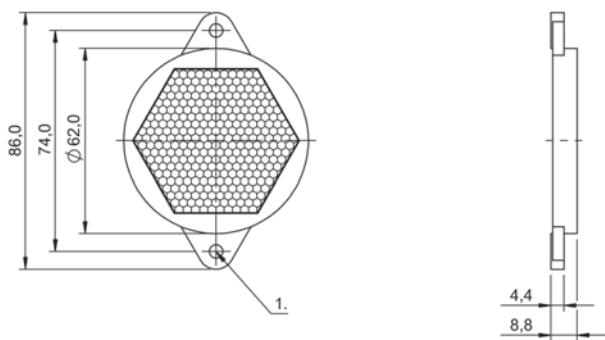
BAM00WA



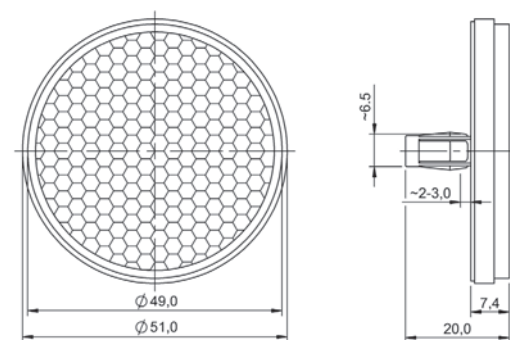
BAM00WL



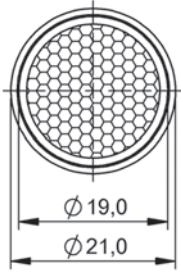
BAM00UK



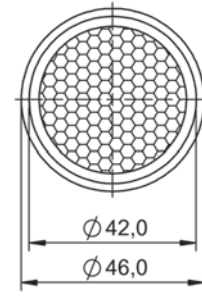
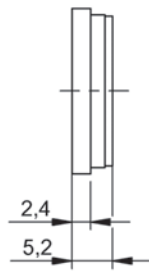
BAM0126



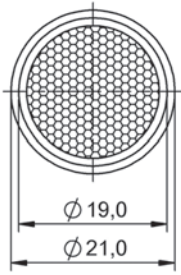
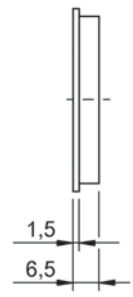
BAM00UP



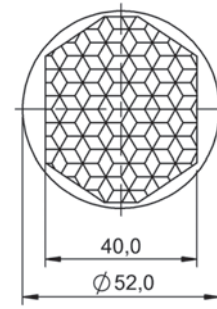
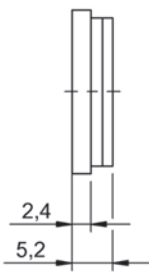
BAM00UR



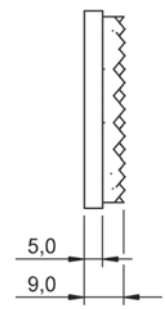
BAM00UW



BAM00W4



BAM01H6



Sensors

RFID

Machine Vision and
Optical Identification

Human Machine
Interfaces

Systems

Safety

Industrial Networking

Power Supply

Connectivity

Accessories



	BAM00NM ADAPTER BFO 30-A1	BAM00J BFO D10-LA-DC-10	BAM00P1 BFO D13-LA-EC-10	
Principle of operation	Fiber optics adapter	Fiber optics adapter	Fiber optics adapter	
Version	Adapter ring	Clamping sleeve for Ø 1.0 mm	Clamping sleeve for Ø 1.3 mm	
Filter	—	—	—	
Use	for fibre optics BFO 18V-	for fibre optics BFO D10-	for fibre optics BFO D13-	
Dimension	Ø 27.5 x 16.7 mm	Ø 3.6 x 25 mm	Ø 4.2 x 25.5 mm	
Material	Aluminum	PA	PA	
Material sensing surface	—	—	—	
Sensing surface	—	—	—	
Mounting	Cap nut M30x1.5	Clamps	Clamps	
Focal length	—	—	—	
Productview	Page 336	Page 336	Page 336	



	BF0005F BFO D22-LA-AC-20	BF0005J BFO D22-LA-BC-10	BF0005L BFO D22-LA-CC-30	BAM00PW BOS 12-BL-1	BAM00R6 BOS 18-BL-1
	Attachment lens	Attachment lens	Attachment lens	Aperture BOS	Aperture BOS
	Clamp sleeve with 90° optics	Clamp sleeve	Clamp sleeve with optics	Slit aperture set	Round aperture
	—	—	—	—	—
	for photoelectric fiber optics BFO	for photoelectric fiber optics BFO	for photoelectric fiber optics BFO	for photoelectric sensors BOS 12M	for photoelectric sensors BOS 18M
	Ø 5 x 23.5 mm	Ø 5 x 21 mm	Ø 5 x 21.5 mm	Ø 9.4 x 0.2 mm	Ø 22 x 16 mm
	Stainless steel Glass	Stainless steel	Stainless steel Glass	PET	POM
	—	—	—	—	—
	Prism, cylindrical	—	convex, 1 aperture	Width 1.0/1.5/2.0 mm	Ø 2 mm
	Screws, terminals	Screws, terminals	Screws, terminals	Self-adhesive	Thread M18x1
	—	—	—	—	—
	Page 336	Page 336	Page 336	Page 336	Page 336

Sensors

RFID

Machine Vision and
Optical Identification

Human Machine
Interfaces

Systems

Safety

Industrial Networking

Power Supply

Connectivity

Accessories



	BAM00R7 BOS 18-BL-2	BAM00TU BOS 5-BL-1	BAM00TW BOS 5-BL-2	
Principle of operation	Aperture BOS	Aperture BOS	Aperture BOS	
Version	Double slit aperture	Vertical slit aperture	Vertical slit aperture	
Filter	—	—	—	
Use	for photoelectric sensors BOS 18M	for photoelectric sensors BOS 5K	for photoelectric sensors BOS 5K	
Dimension	Ø 22 x 85 mm	8.2 x 32.1 x 6.1 mm	8.2 x 32.1 x 6.1 mm	
Material	Aluminum anodized	Stainless steel	Stainless steel	
Material sensing surface	Glass	—	—	
Sensing surface	Width 2.0 mm	Width 0.5 mm	Width 1.0 mm	
Mounting	Thread M18x1	Snap-on	Snap-on	
Focal length	—	—	—	
Productview	Page 337	Page 337	Page 337	



	BAM00TY BOS 5-BL-3	BAM00TZ BOS 5-BL-4	BAM00U0 BOS 5-BL-5	BAM00U1 BOS 5-BL-6	BAM00U2 BOS 5-BL-7
	Aperture BOS	Aperture BOS	Aperture BOS	Aperture BOS	Aperture BOS
	Vertical slit aperture	Horizontal slit aperture	Horizontal slit aperture	Horizontal slit aperture	Round aperture
	—	—	—	—	—
	for photoelectric sensors BOS 5K	for photoelectric sensors BOS 5K	for photoelectric sensors BOS 5K	for photoelectric sensors BOS 5K	for photoelectric sensors BOS 5K
	8.2 x 32.1 x 6.1 mm	8.2 x 32.1 x 6.1 mm	8.2 x 32.1 x 6.1 mm	8.2 x 32.1 x 6.1 mm	8.2 x 32.1 x 6.1 mm
	Stainless steel	Stainless steel	Stainless steel	Stainless steel	Stainless steel
	—	—	—	—	—
	Width 2.0 mm	Width 0.5 mm	Width 1.0 mm	Width 2.0 mm	Ø 0.5 mm
	Snap-on	Snap-on	Snap-on	Snap-on	Snap-on
	—	—	—	—	—
	Page 337	Page 337	Page 337	Page 337	Page 337

Sensors

RFID

Machine Vision and
Optical Identification

Human Machine
Interfaces

Systems

Safety

Industrial Networking

Power Supply

Connectivity

Accessories



	BAM00U3 BOS 5-BL-8	BAM00U4 BOS 5-BL-9	BAM02PM BOS 6-BL-1	
Principle of operation	Aperture BOS	Aperture BOS	Aperture BOS	
Version	Round aperture	Round aperture	Round aperture	
Filter	—	—	—	
Use	for photoelectric sensors BOS 5K	for photoelectric sensors BOS 5K	for photoelectric sensors BOS 6K	
Dimension	8.2 x 32.1 x 6.1 mm	8.2 x 32.1 x 6.1 mm	35 x 28 x 14.1 mm	
Material	Stainless steel	Stainless steel	Aluminum	
Material sensing surface	—	—	—	
Sensing surface	Ø 1 mm	Ø 2 mm	Ø 1 mm (2x)	
Mounting	Snap-on	Snap-on	Oval holes 3.5 mm x 4.0 mm	
Focal length	—	—	—	
Productview	Page 338	Page 338	Page 338	



	BAM029R BAM LS-VS-004-C2/3-0614-2	BAM02FA BAM LS-VS-004-C2/3-0814-2	BAM02FC BAM LS-VS-004-C2/3-1214-2	BAM02FE BAM LS-VS-004-C2/3-1614-2	BAM02FF BAM LS-VS-004-C2/3-2514-2
Camera lens	Camera lens	Camera lens	Camera lens	Camera lens	Camera lens
C-Mount	C-Mount	C-Mount	C-Mount	C-Mount	C-Mount
—	—	—	—	—	—
for BVS SC-..	for BVS SC-..	for BVS SC-..	for BVS SC-..	for BVS SC-..	for BVS SC-..
Ø 32 x 37.5 mm	Ø 42 x 36.7 mm	Ø 29.5 x 45.7 mm	Ø 29.5 x 32.2 mm	Ø 32 x 38 mm	
Aluminum, black anodized	Aluminum, black anodized	Aluminum, black anodized	Aluminum, black anodized	Aluminum, black anodized	Aluminum, black anodized
Glass, polished	Glass, polished	Glass, polished	Glass, polished	Glass, polished	Glass, polished
—	—	—	—	—	—
—	—	—	—	—	—
6 mm	8 mm	12 mm	16 mm	25 mm	
Page 338	Page 338	Page 338	Page 338	Page 338	Page 338

Sensors

RFID

Machine Vision and
Optical Identification

Human Machine
Interfaces

Systems

Safety

Industrial Networking

Power Supply

Connectivity

Accessories



	BAM02FH BAM LS-VS-004-C2/3-3514-2	BAM02FJ BAM LS-VS-004-C2/3-5014-2	BAM02Y3 BAM LS-VS-004-C2/3-7532-2	
Principle of operation	Camera lens	Camera lens	Camera lens	
Version	C-Mount	C-Mount	C-Mount	
Filter	—	—	—	
Use	for BVS SC-..	for BVS SC-..	for BVS SC-..	
Dimension	Ø 29.5 x 35.4 mm	Ø 32 x 46.5 mm	Ø 32 x 70.1 mm	
Material	Aluminum, black anodized	Aluminum, black anodized	Aluminum, black anodized	
Material sensing surface	Glass, polished	Glass, polished	Glass, polished	
Sensing surface	—	—	—	
Mounting	—	—	—	
Focal length	35 mm	50 mm	75 mm	
Productview	Page 339	Page 339	Page 339	



	BAM0364 BAM LS-VS-006-C2/3-0814-5	BAM0365 BAM LS-VS-006-C2/3-1214-5	BAM0366 BAM LS-VS-006-C2/3-1614-5	BAM0367 BAM LS-VS-006-C2/3-2514-5	BAM0368 BAM LS-VS-006-C2/3-3514-5
Camera lens	Camera lens	Camera lens	Camera lens	Camera lens	Camera lens
C-Mount	C-Mount	C-Mount	C-Mount	C-Mount	C-Mount
—	—	—	—	—	—
for industrial cameras BVS CA-.. <12 MP	for industrial cameras BVS CA-.. <12 MP	for industrial cameras BVS CA-.. <12 MP	for industrial cameras BVS CA-.. <12 MP	for industrial cameras BVS CA-.. <12 MP	for industrial cameras BVS CA-.. <12 MP
Ø 30 x 42.2 mm	Ø 30 x 42.2 mm	Ø 30 x 38.6 mm	Ø 30 x 44 mm	Ø 30 x 44.3 mm	
Aluminum, black anodized	Aluminum, black anodized	Aluminum, black anodized	Aluminum, black anodized	Aluminum, black anodized	
Glass, polished	Glass, polished	Glass, polished	Glass, polished	Glass, polished	
—	—	—	—	—	
—	—	—	—	—	
8 mm	12 mm	16 mm	25 mm	35 mm	
Page 339	Page 339	Page 339	Page 339	Page 339	

Sensors

RFID

Machine Vision and
Optical Identification

Human Machine
Interfaces

Systems

Safety

Industrial Networking

Power Supply

Connectivity

Accessories



	BAM0369 BAM LS-VS-006-C2/3-5014-5	BAM035R BAM LS-VS-007-C1/1-0818-C	BAM035T BAM LS-VS-007-C1/1-1618-C	
Principle of operation	Camera lens	Camera lens	Camera lens	
Version	C-Mount	C-Mount	C-Mount	
Filter	—	—	—	
Use	for industrial cameras BVS CA-.. <12 MP	for industrial cameras BVS CA-.. 12 MP	for industrial cameras BVS CA-.. 12 MP	
Dimension	Ø 30 x 72 mm	Ø 80 x 96.8 mm	Ø 57 x 94.9 mm	
Material	Aluminum, black anodized	Aluminum, black anodized	Aluminum, black anodized	
Material sensing surface	Glass, polished	Glass, polished	Glass, polished	
Sensing surface	—	—	—	
Mounting	—	—	—	
Focal length	50 mm	8 mm	16 mm	
Productview	Page 340	Page 340	Page 340	



	BAM035U BAM LS-VS-007-C1/1-2518-C	BAM035W BAM LS-VS-007-C1/1-5018-C	BAM02MT BAM SP-X0-002-0,5-40-31-A	BAM01A7 BAM OF-VS-001-D-RX100	BAM02FR BAM OF-VS-002-BU-27
	Camera lens	Camera lens	Spacer ring, piece	Optical filter BVS	Optical filter BVS
	C-Mount	C-Mount	C-Mount	Diffusing plate, 1 aperture	Spectral filter
	—	—	—	—	Blue
	for industrial cameras BVS CA-.. 12 MP	for industrial cameras BVS CA-.. 12 MP	for C-mount lens	for vision lighting ring light	for C-mount lens
	Ø 57 x 97.3 mm	Ø 51 x 94.7 mm	Ø 31 x 40 mm	Ø 116 x 8 mm	Ø 29 x 6.5 mm
	Aluminum, black anodized	Aluminum, black anodized	Aluminum, black anodized	Aluminum anodized	Aluminum, black anodized
	Glass, polished	Glass, polished	—	Glass	Glass, polished
	—	—	—	Ring Ø 104/Ø 64 mm	—
	—	—	—	Screw M1.6	Diameter 27.0 mm
	25 mm	50 mm	—	—	—
	Page 340	Page 340	Page 340	Page 340	Page 340

Sensors

RFID

Machine Vision and
Optical Identification

Human Machine
Interfaces

Systems

Safety

Industrial Networking

Power Supply

Connectivity

Accessories



	BAM02FZ BAM 0F-VS-002-BU-30	BAM02FP BAM 0F-VS-002-GN-27	BAM02FY BAM 0F-VS-002-GN-30	
Principle of operation	Optical filter BVS	Optical filter BVS	Optical filter BVS	
Version	Spectral filter	Spectral filter	Spectral filter	
Filter	Blue	Green	Green	
Use	for C-mount lens	for C-mount lens	for C-mount lens	
Dimension	Ø 32 x 7 mm	Ø 29 x 6.5 mm	Ø 32 x 7 mm	
Material	Aluminum, black anodized	Aluminum, black anodized	Aluminum, black anodized	
Material sensing surface	Glass, polished	Glass, polished	Glass, polished	
Sensing surface	—	—	—	
Mounting	Diameter 30.0 mm	Diameter 27.0 mm	Diameter 30.0 mm	
Focal length	—	—	—	
Productview	Page 341	Page 340	Page 341	



	BAM02MN BAM OF-VS-002-IR-27	BAM02MP BAM OF-VS-002-IR-30	BAM02MR BAM OF-VS-002-IR-40	BAM02FK BAM OF-VS-002-PL-27	BAM02FT BAM OF-VS-002-PL-30
	Optical filter BVS	Optical filter BVS	Optical filter BVS	Optical filter BVS	Optical filter BVS
	Spectral filter	Spectral filter	Spectral filter	Spectral filter	Spectral filter
	Infrared	Infrared	Infrared	pole	pole
	for C-mount lens	for C-mount lens	for C-mount lens	for C-mount lens	for C-mount lens
	Ø 29 x 6.5 mm	Ø 32 x 7 mm	Ø 42 x 7 mm	Ø 29 x 9.5 mm	Ø 32 x 10 mm
	Aluminum, black anodized	Aluminum, black anodized	Aluminum, black anodized	Aluminum, black anodized	Aluminum, black anodized
	Glass, polished	Glass, polished	Glass, polished	Glass, polished	Glass, polished
	—	—	—	—	—
	Diameter 27.0 mm	Diameter 30.0 mm	Diameter 40.0 mm	Diameter 27.0 mm	Diameter 30.0 mm
	—	—	—	—	—
	Page 340	Page 341	Page 341	Page 341	Page 341

Sensors

RFID

Machine Vision and
Optical Identification

Human Machine
Interfaces

Systems

Safety

Industrial Networking

Power Supply

Connectivity

Accessories



	BAM02H0 BAM 0F-VS-002-PL-40	BAM02FM BAM 0F-VS-002-RD-27	BAM02FW BAM 0F-VS-002-RD-30	
Principle of operation	Optical filter BVS	Optical filter BVS	Optical filter BVS	
Version	Spectral filter	Spectral filter	Spectral filter	
Filter	pole	Red	Red	
Use	for C-mount lens	for C-mount lens	for C-mount lens	
Dimension	Ø 42 x 10 mm	Ø 29 x 6.5 mm	Ø 32 x 7 mm	
Material	Aluminum, black anodized	Aluminum, black anodized	Aluminum, black anodized	
Material sensing surface	Glass, polished	Glass, polished	Glass, polished	
Sensing surface	—	—	—	
Mounting	Diameter 40.0 mm	Diameter 27.0 mm	Diameter 30.0 mm	
Focal length	—	—	—	
Productview	Page 341	Page 340	Page 341	



	BAM02FL BAM OF-VS-002-UV-27	BAM02FU BAM OF-VS-002-UV-30	BAM02H1 BAM OF-VS-002-UV-40	BAM02FN BAM OF-VS-002-YE-27	BAM01U2 BAM LS-FO-002-F
	Optical filter BVS	Optical filter BVS	Optical filter BVS	Optical filter BVS	Adjustable optics module
	Spectral filter	Spectral filter	Spectral filter	Spectral filter	Optics
	ultraviolett	ultraviolett	ultraviolett	Yellow	—
	for C-mount lens	for C-mount lens	for C-mount lens	for C-mount lens	for fibre optics BFO M6
	Ø 29 x 6.5 mm	Ø 32 x 7 mm	Ø 42 x 7 mm	Ø 29 x 6.5 mm	Ø 19 x 38 mm
	Aluminum, black anodized	Aluminum, black anodized	Aluminum, black anodized	Aluminum, black anodized	Aluminum anodized
	Glass, polished	Glass, polished	Glass, polished	Glass, polished	Glass, anti-glare
	—	—	—	—	convex, 1 aperture
	Diameter 27.0 mm	Diameter 30.0 mm	Diameter 40.0 mm	Diameter 27.0 mm	Thread M18x1
	—	—	—	—	—
	Page 340	Page 341	Page 341	Page 340	Page 341

Sensors

RFID

Machine Vision and
Optical Identification

Human Machine
Interfaces

Systems

Safety

Industrial Networking

Power Supply

Connectivity

Accessories



	BAM020P BAM LS-F0-003-M6-L	BAM030N BAM LS-F0-005-U1-22	BAM00NN BFO 02-PK-1	
Principle of operation	Lens	Lens	Lens	
Version	Add-on lens	Add-on lens	Add-on lens	
Filter	—	—	—	
Use	for photoelectric color sensors BFS 33M-GSS-...	for photoelectric color sensors BFS 33M-GSS-..., for BFO00H8, for BFB-...	for photoelectric fiber optics BFO	
Dimension	Ø 28.2 x 38.9 mm	Ø 18 x 44.9 mm	Ø 4 x 11.2 mm	
Material	Aluminum anodized	Aluminum anodized, black	Stainless steel	
Material sensing surface	Glass	Glass	Glass	
Sensing surface	convex, 1 aperture	—	convex, 1 aperture	
Mounting	Thread M12x1	Thread M18x1	Threads M2.6x0.45	
Focal length	—	—	—	
Productview	Page 341	Page 341	Page 342	



	BAMOONR BFO 04-FL-1	BAMOONT BFO 04-FL-2	BAMOONW BFO 04-PK-1	BAM0120 BKT M-PK-1	BAM0121 BKT M-PK-2
	Lens	Lens	Lens	Lens	Lens
	Add-on lens	Add-on lens	Add-on lens	Add-on lens f= 18 mm	Add-on lens f= 9 mm
	—	—	—	—	—
	for fibre optics BFO M4	for photoelectric color sensors BFS 33M-GSS-..., for BFB-...	for photoelectric fiber optics BFO	for photoelectric luminescence sensors BLT, for photoelectric contrast sensors BKT, for photoelectric contrast sensors BKT 67M	for photoelectric contrast sensors BKT, for photoelectric contrast sensors BKT 67M
	Ø 6.5 x 12 mm	Ø 6.5 x 15 mm	Ø 7 x 10.5 mm	Ø 25 x 11 mm	Ø 25 x 8.5 mm
	Aluminum anodized	Aluminum anodized	Stainless steel	Aluminum anodized	Aluminum anodized
	Glass	Glass	Glass	Glass	Glass
	convex, 1 aperture	convex, 1 aperture	convex, 1 aperture	convex, 1 aperture	convex, 1 aperture
	M4 thread	M4 thread	M4 thread	Thread M20x0.7	Thread M20x0.7
	—	—	—	—	—
	Page 342	Page 342	Page 342	Page 342	Page 342

Sensors

RFID

Machine Vision and Optical Identification

Human Machine Interfaces

Systems

Safety

Industrial Networking

Power Supply

Connectivity

Accessories



	BAM0122 BKT M-PK-3	BAM00P2 BKT M-PK-4	BAM00P3 BKT M-PK-5	
Principle of operation	Lens	Lens	Lens	
Version	Add-on lens f= 28 mm	Intermediate ring with lens	Add-on lens f= 50 mm	
Filter	—	—	—	
Use	for photoelectric contrast sensors BKT, for photoelectric contrast sensors BKT 67M	for photoelectric contrast sensors BKT, for photoelectric contrast sensors BKT 67M	for photoelectric contrast sensors BKT, for photoelectric contrast sensors BKT 67M	
Dimension	Ø 33 x 48.5 mm	Ø 25 x 15.5 mm	Ø 32 x 25 mm	
Material	Aluminum anodized	Aluminum anodized	Aluminum anodized	
Material sensing surface	Glass	Glass	Glass	
Sensing surface	convex, 1 aperture	convex, 1 aperture	convex, 1 aperture	
Mounting	Thread M20x0.7	Thread M20x0.7	Thread M20x0.7	
Focal length	—	—	—	
Productview	Page 342	Page 342	Page 343	



	BAMOONP BFO 02-UK-1	BAMOORO BOS 12-WS-1	BAMOOR1 BOS 12-WS-2	BAMOORP BOS 18-UK-1	BAMOORR BOS 18-UK-10
	Beam deflector BFO	Beam deflector BFO	Beam deflector BFO	Beam deflector BFO	Beam deflector BFO
	90° lens, 1 mirror in housing	90° lens, 1 open mirror	90° lens, 1 open mirror	90° lens, 2 mirrors in housing	90° lens, 1 mirror in housing
	—	—	—	—	—
	for photoelectric fiber optics BFO	for photoelectric sensors BOS 12M	for photoelectric sensors BOS 12M, for photoelectric sensors BOS 12M	for photoelectric sensors BOS 18M	for photoelectric sensors BOS 18K, for photoelectric sensors BOS 18M
	Ø 4 x 4 mm	16 x 35 x 24 mm	16 x 35 x 24 mm	Ø 23.5 x 23.5 mm	Ø 23.5 x 23.5 mm
	Stainless steel	Aluminum anodized	Aluminum anodized	ABS	ABS
	Glass	PET, coated Al	Glass, coated Al	PMMA	Glass, coated Al
	Prism, cylindrical	Mirror surface	Mirror surface	Double lens, flat on outside	Mirror surface
	Threads M2.6x0.45	Nut M12x1	Nut M12x1	Thread M18x1	Thread M18x1
	—	—	—	—	—
	Page 343	Page 343	Page 343	Page 343	Page 343

Sensors

RFID

Machine Vision and Optical Identification

Human Machine Interfaces

Systems

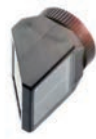
Safety

Industrial Networking

Power Supply

Connectivity

Accessories



	BAMOORT BOS 18-UK-2	BAMOORU BOS 18-WS-1	BAM01ET BAM AP-US-001-M12-0	
Principle of operation	Beam deflector BFO	Beam deflector BFO	Focusing attachment BUS	
Version	90° lens, 2 mirrors in housing	90° lens, 1 open mirror	Focusing attachment	
Filter	—	—	—	
Use	for photoelectric sensors BOS 18M	for photoelectric sensors BOS 18M, for photoelectric sensors BOS 18K	for ultrasonic sensors BUS	
Dimension	Ø 23.5 x 23.5 mm	22 x 42 x 30 mm	Ø 17 x 40 mm	
Material	ABS	Aluminum anodized	POM	
Material sensing surface	PMMA	PET, coated Al	—	
Sensing surface	Front pane	Mirror surface	Ø 5 mm	
Mounting	Thread M18x1	Nut M18x1	Thread M12x1	
Focal length	—	—	—	
Productview	Page 343	Page 343	Page 344	



	BAM01YU BAM AP-US-004-R06-Y	BAM01HJ BAM AP-US-002-M18-0	BAM01EP BAM BD-US-001-D20-4	BAM01ER BAM BD-US-001-D32-4	
Focusing attachment BUS	—	—	Beam deflector BUS	Beam deflector BUS	
Focusing attachment	Focusing attachment	Focusing attachment	90° deflector, open	90° deflector, open	
—	—	—	—	—	
for ultrasonic sensors BUS	for ultrasonic sensors BUS	for ultrasonic sensors BUS	for ultrasonic sensors BUS	for ultrasonic sensors BUS	
12 x 18.4 x 28.1 mm	Ø 25 x 80 mm	50 x 105 x 50 mm	50 x 105 x 50 mm		
ABS	POM	Stainless steel (1.4301)	Stainless steel (1.4301)		
—	—	—	—		
Ø 3 mm	Ø 11 mm	Deflection surface	Deflection surface		
Adhesive	Thread M18x1	Nut M18x1, Screw M5	Nut M30x1.5, Screw M5		
—	—	—	—		
Page 344	Page 344	Page 344	Page 344		

Sensors

RFID

Machine Vision and
Optical Identification

Human Machine
Interfaces

Systems

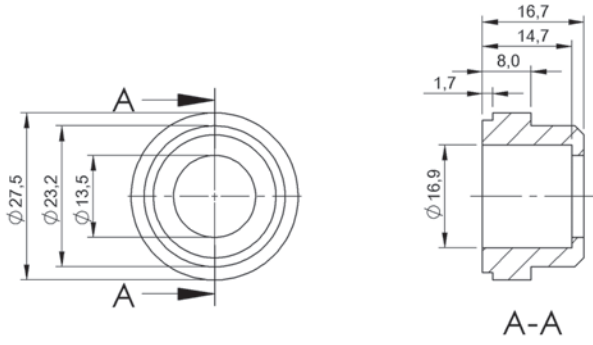
Safety

Industrial Networking

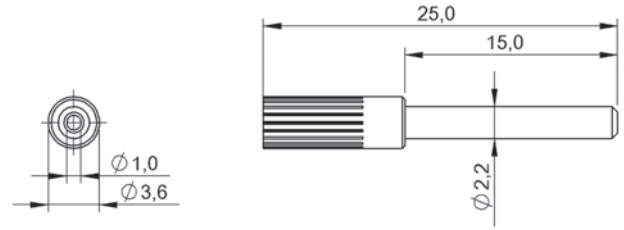
Power Supply

Connectivity

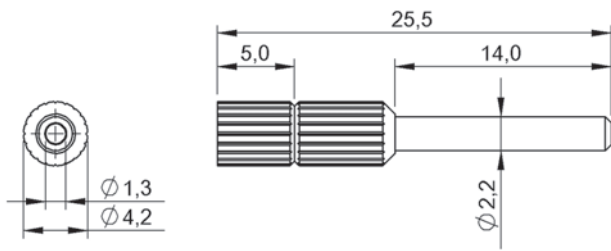
Accessories



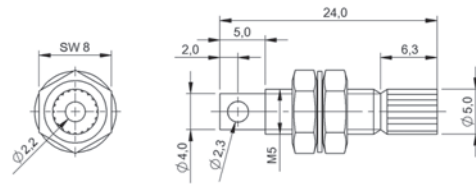
BAM00NM



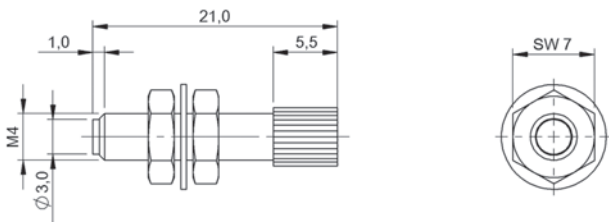
BAM000J



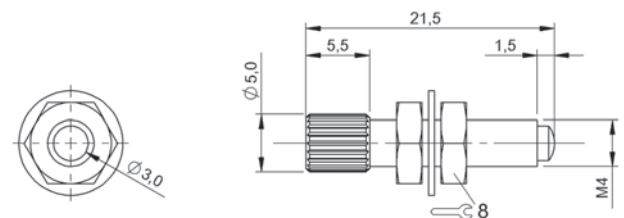
BAM00P1



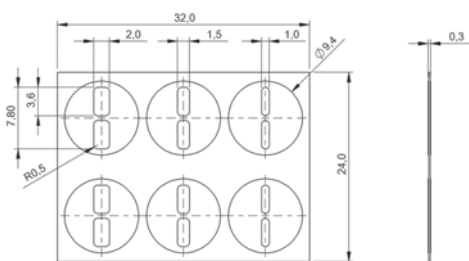
BF0005F



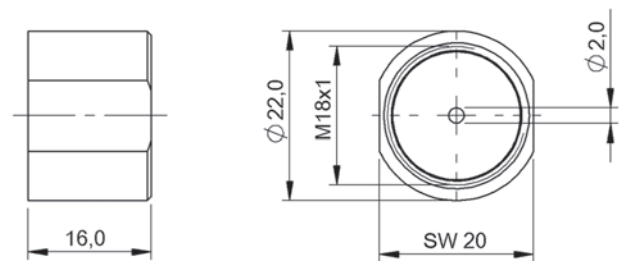
BF0005J



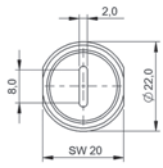
BF0005L



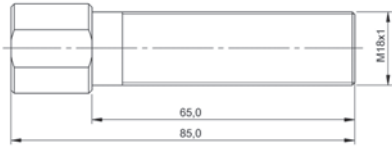
BAM00PW



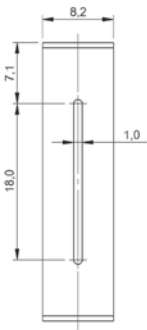
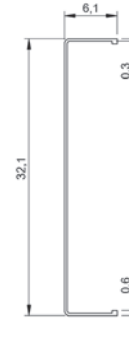
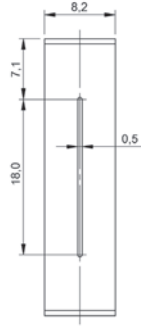
BAM00R6



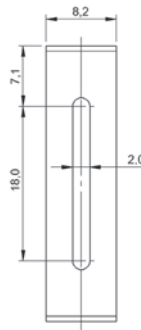
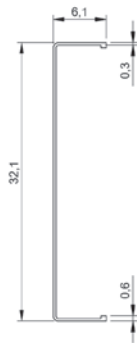
BAM00R7



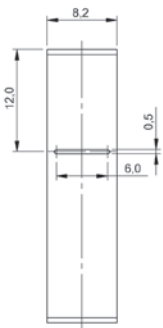
BAM00TU



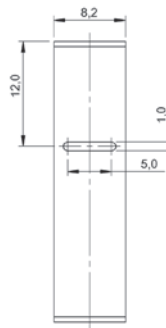
BAM00TW



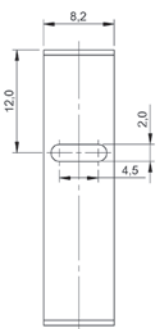
BAM00TY



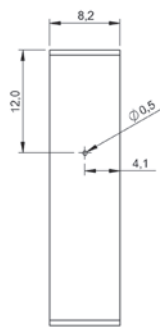
BAM00TZ



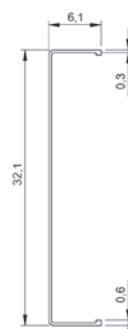
BAM00U0

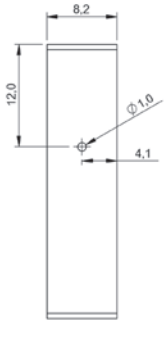


BAM00U1

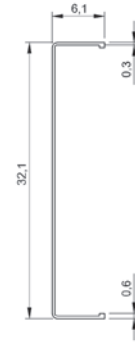
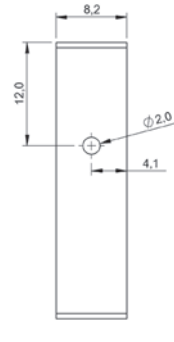


BAM00U2

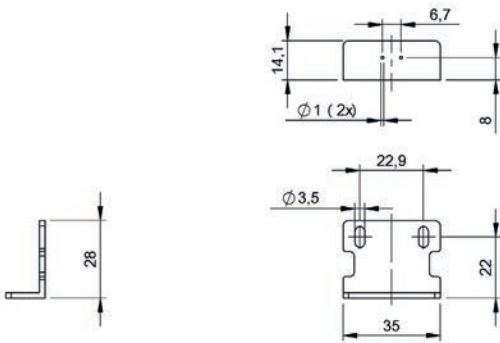




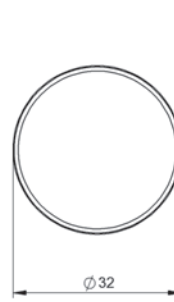
BAM00U3



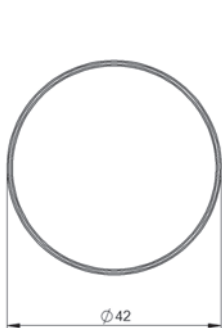
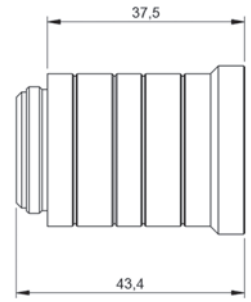
BAM00U4



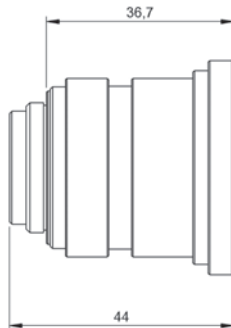
BAM02PM



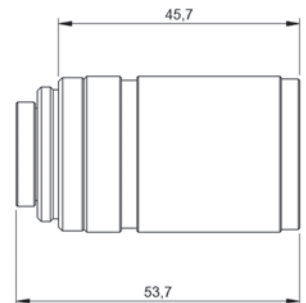
BAM029R



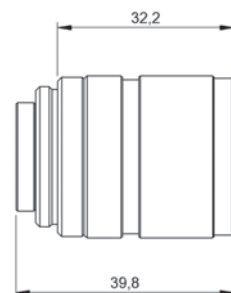
BAM02FA



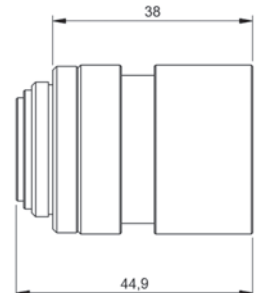
BAM02FC

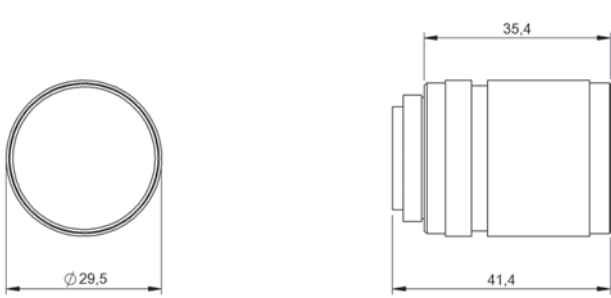


BAM02FE

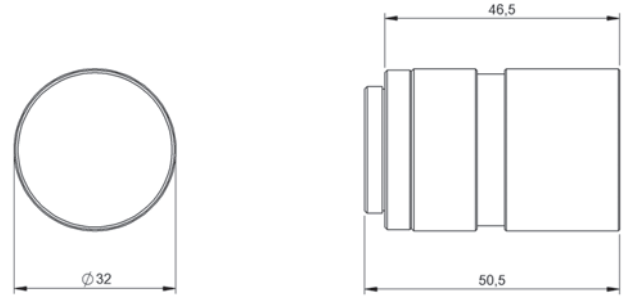


BAM02FF

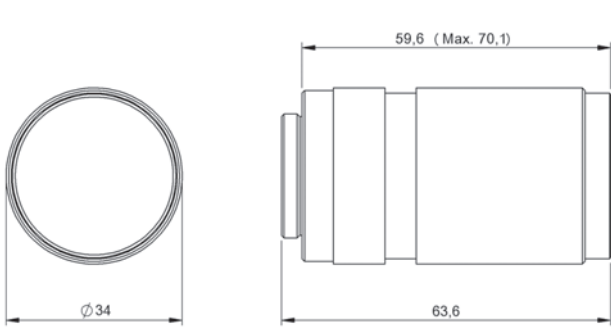




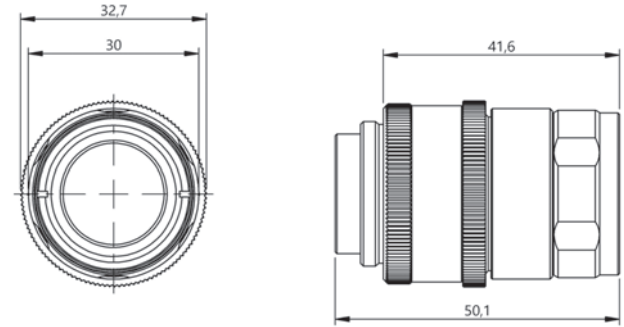
BAM02FH



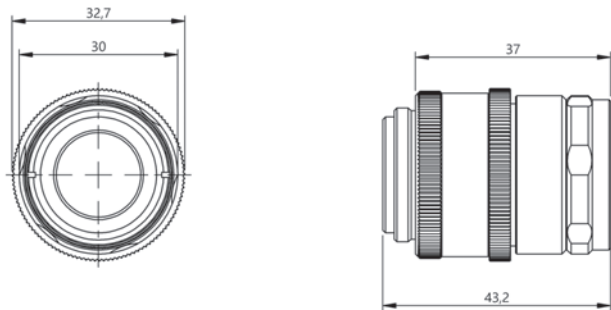
BAM02FJ



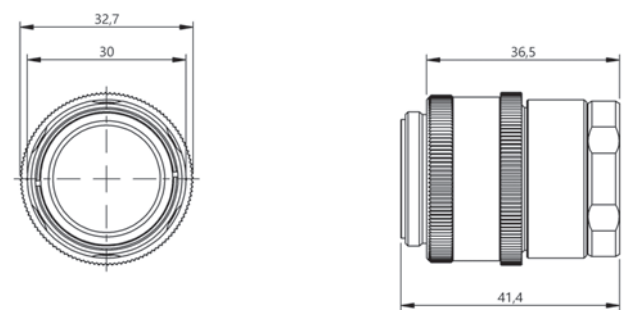
BAM02Y3



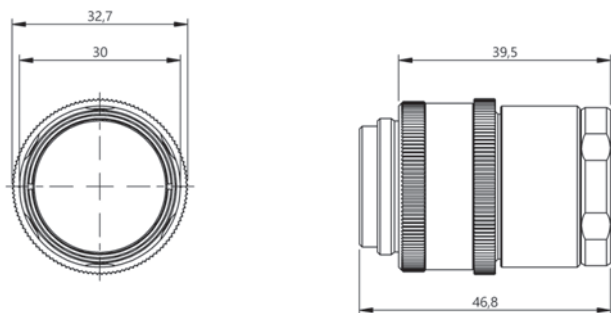
BAM0364



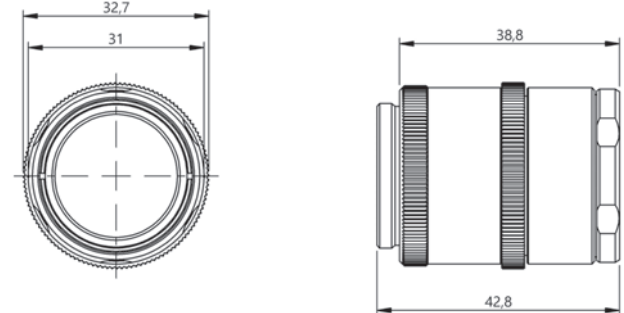
BAM0365



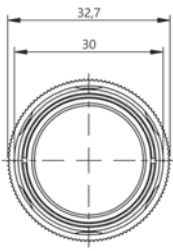
BAM0366



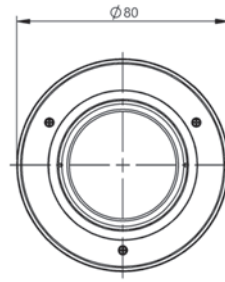
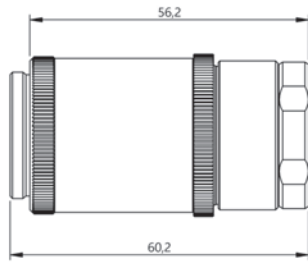
BAM0367



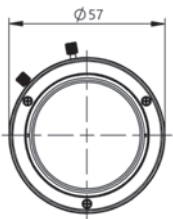
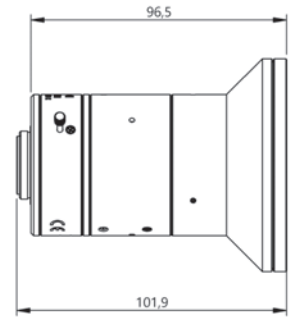
BAM0368



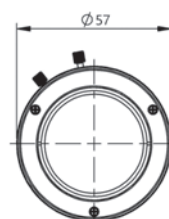
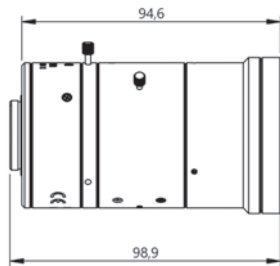
BAM0369



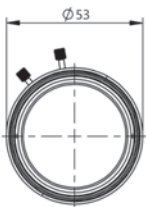
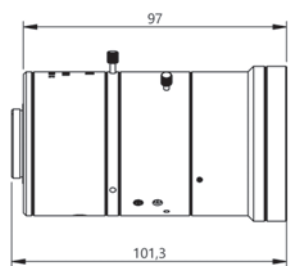
BAM035R



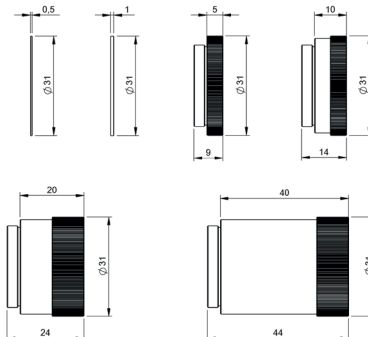
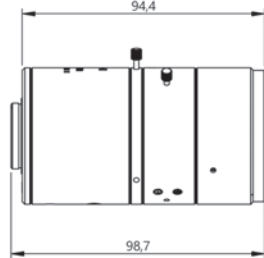
BAM035T



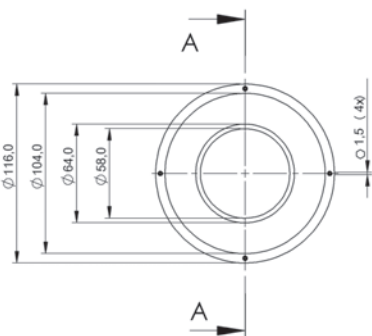
BAM035U



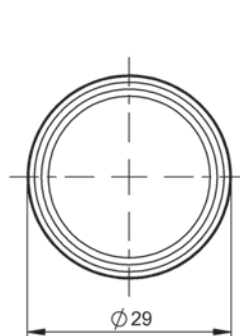
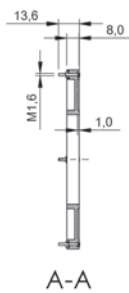
BAM035W



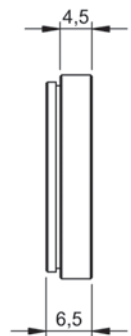
BAM02MT

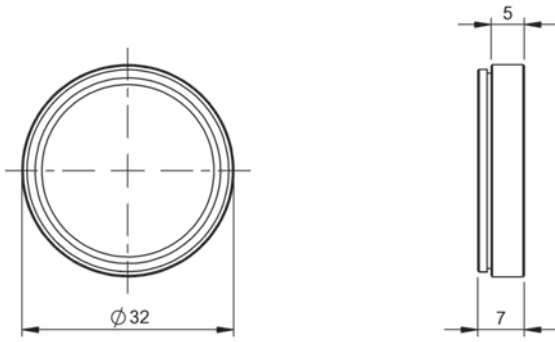


BAM01A7

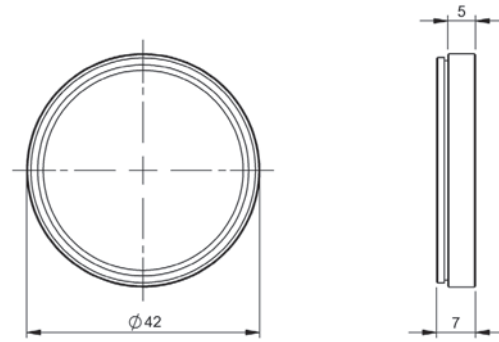


BAM02FR, BAM02FP, BAM02MN, BAM02FM, BAM02FL, BAM02FN

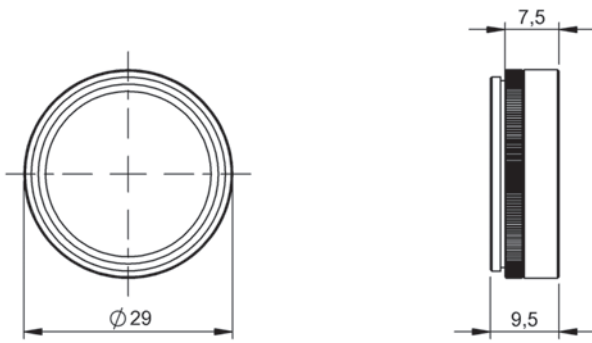




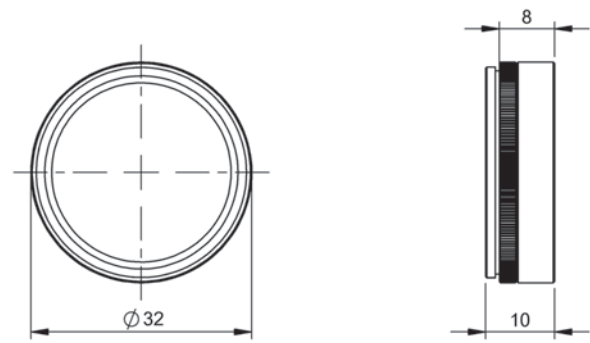
BAM02FZ, BAM02FY, BAM02MP, BAM02FW, BAM02FU



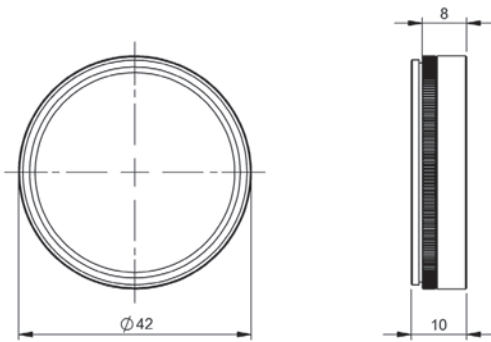
BAM02MR, BAM02H1



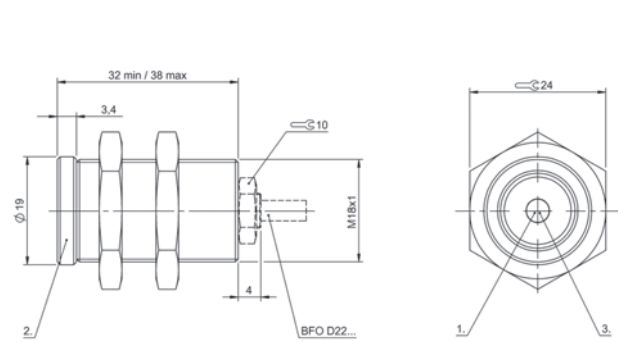
BAM02FK



BAM02FT

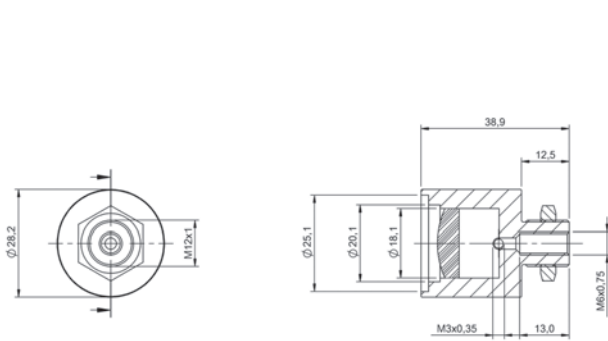


BAM02H0

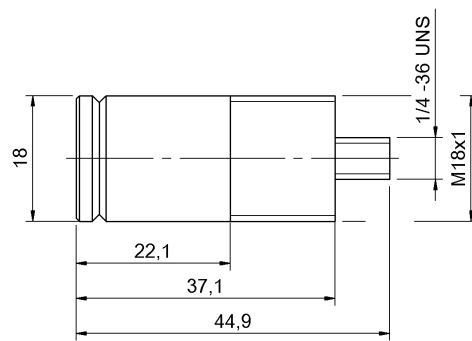


1) Empfänger, 2) Rändel, 3) Sender

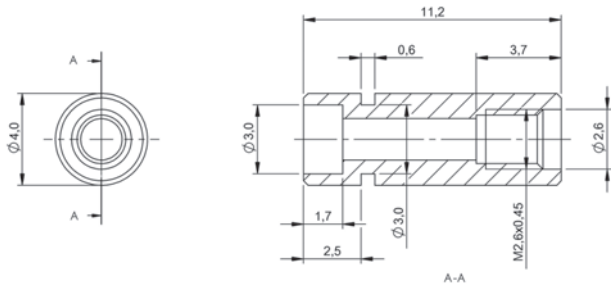
BAM01U2



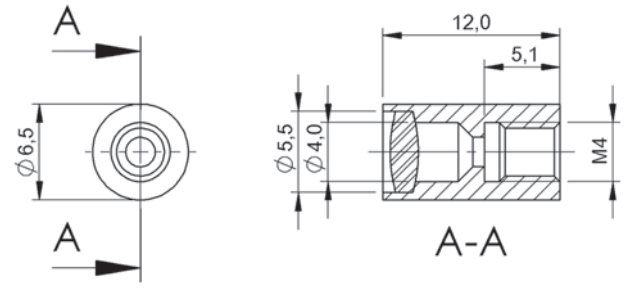
BAM020P



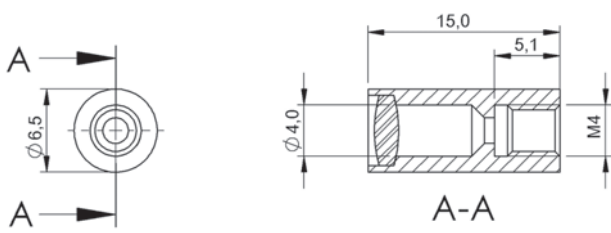
BAM030N



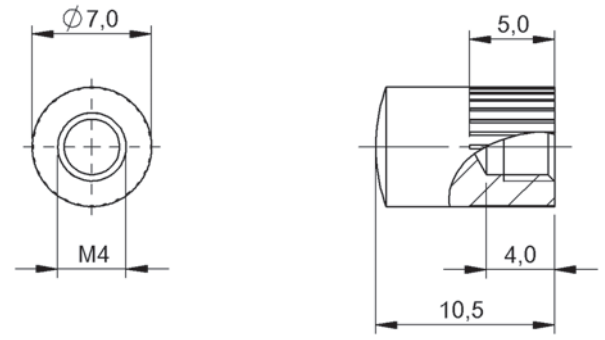
BAM00NN



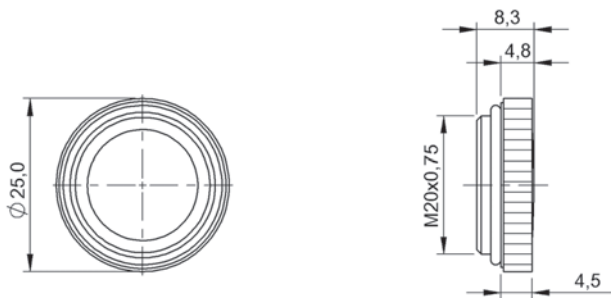
BAM00NR



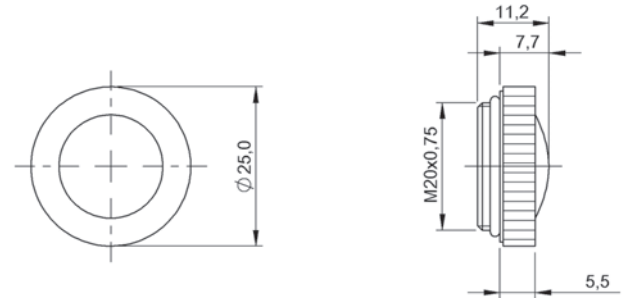
BAM00NT



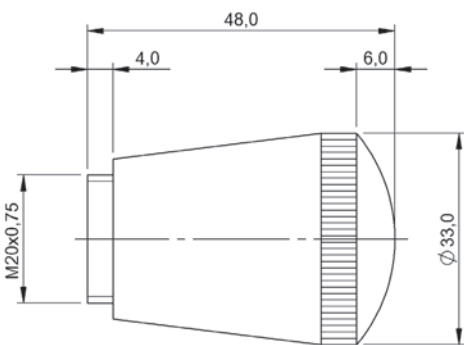
BAM00NW



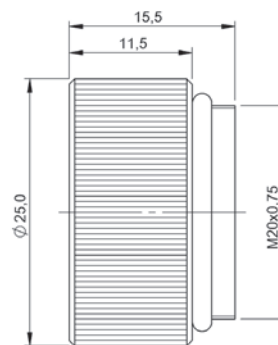
BAM0120



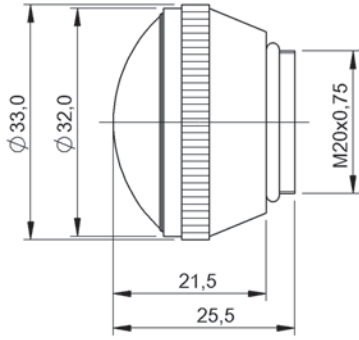
BAM0121



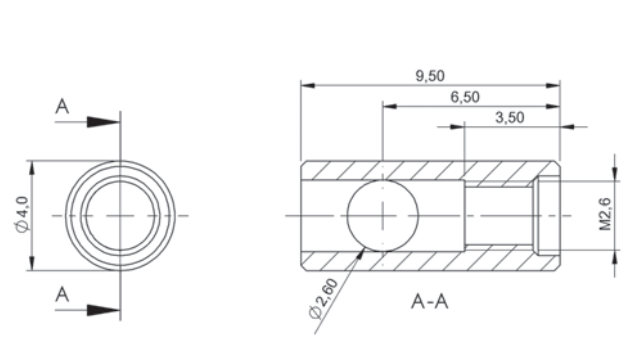
BAM0122



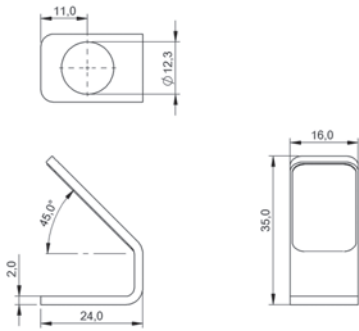
BAM00P2



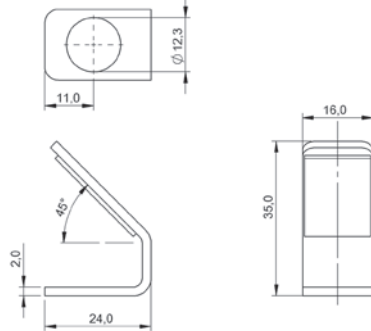
BAM00P3



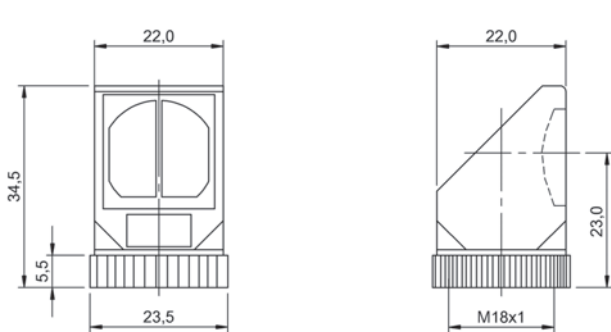
BAM00NP



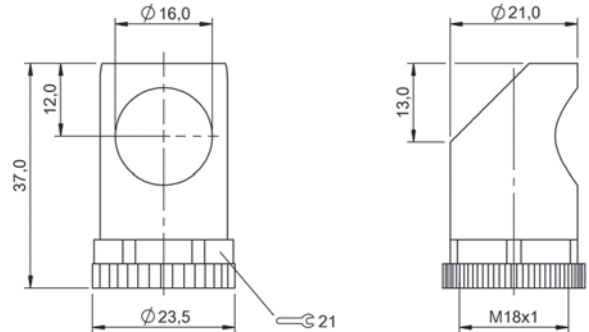
BAM00R0



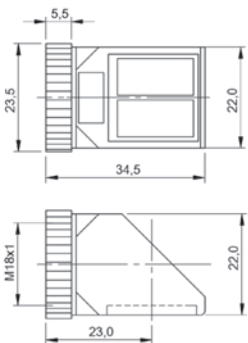
BAM00R1



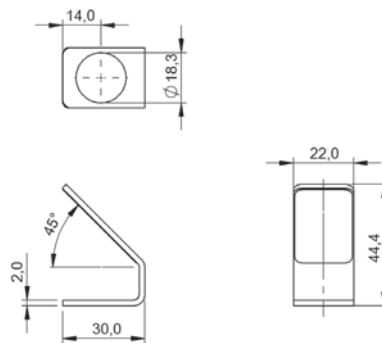
BAM00RP



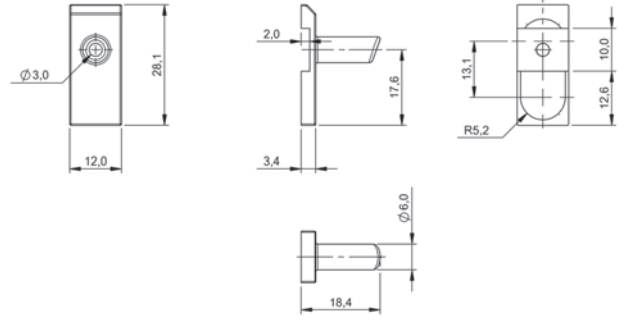
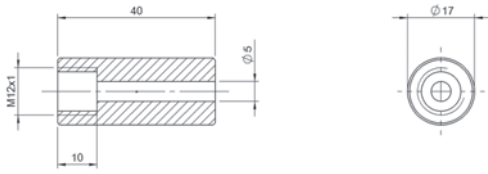
BAM00RR



BAM00RT

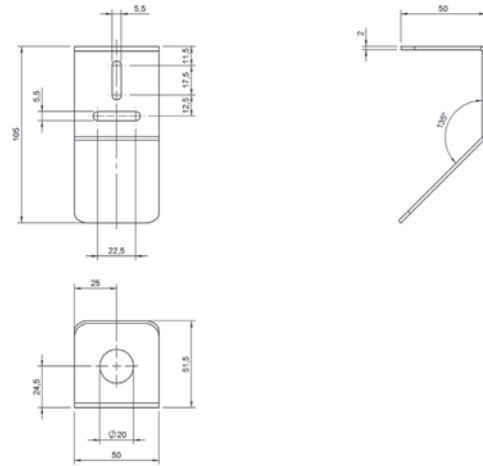
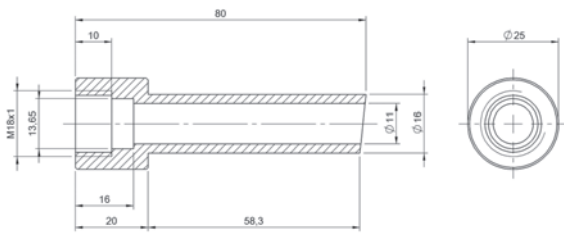


BAM00RU



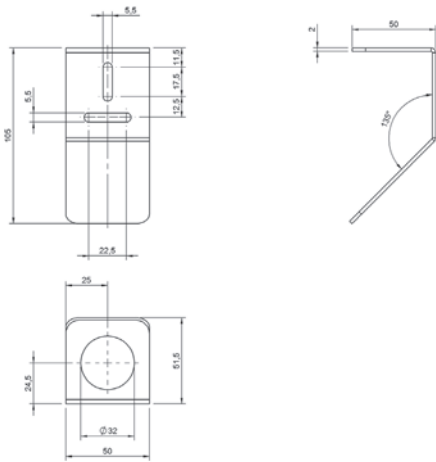
BAM01ET

BAM01YU

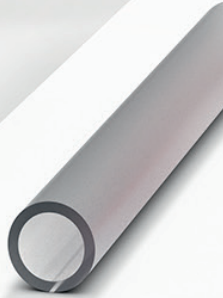
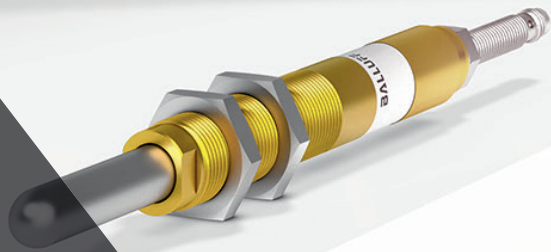


BAM01HJ

BAM01EP



BAM01ER



Mechanical protection for sensors and devices

MECHANICAL PROTECTION



Our protective caps, protective housings, protective covers, protective tubes and sabotage protection prevent any mechanical damage to the sensor or a device.

Select from different versions – even for sophisticated applications.

The most important benefits

- High-quality and long service life
- Simple to install
- Compatibility



	BAM0183 BKS-PW-26/20-SI-TR-03,5	BAM0182 BKS-PW-51/30-SI-TR-11	BAM021E BAM PT-XA-005-260-T-R20	
Short description	Silicone strip	Silicone strip	Silicone strip	
Use	for cable guard, for weld protection	for cable guard, for weld protection	for cable guard, for weld protection	
Material	Silicone 60 white, translucent	Silicone 60 white, translucent	Silicone 60 white, translucent	
Dimension	1.6 x 26 x 3658 mm	1.6 x 51 x 10970 mm	1.6 x 26 x 20000 mm	
Ambient temperature	-65...260 °C	-65...260 °C	-40...180 °C	
Productview	Page 352	Page 352	Page 352	



	BAM01R2 BAM PT-XA-002-127-2-30	BAM0231 BAM PT-XA-002-190-2-R15	BAM01UY BAM PT-XA-002-190-2-30	
Short description	Silicone-fiberglass tube	Silicone-fiberglass tube	Silicone-fiberglass tube	
Use	for cable guard, for weld protection	for cable guard, for weld protection	for cable guard, for weld protection	
Material	Fiberglass sheathed Silicon rubber, red iron oxide red silicone rubber	Fiberglass sheathed Silicon rubber, red	Fiberglass sheathed Silicon rubber, red iron oxide red silicone rubber	
Dimension	Ø 20.7 x 30480 mm	Ø 26 x 15000 mm	Ø 27.1 x 30480 mm	
Ambient temperature	-55...260 °C	-40...250 °C	-55...260 °C	
Productview	Page 352	Page 352	Page 352	



	BAM021F BAM PT-XA-005-510-T-R20	BAM02E3 BAM PT-XA-006-M91-T-00,9	BAM01L4 BAM PT-XA-001-095-0-05	BAM022Z BAM PT-XA-002-100-2-R15	BAM0230 BAM PT-XA-002-130-2-R15
	Silicone strip	Silicone film	PU fiberlass tube	Silicone-fiberglass tube	Silicone-fiberglass tube
	for cable guard, for weld protection	for cable guard, for weld protection	for cable guard, for weld protection	for cable guard, for weld protection	for cable guard, for weld protection
	Silicone 60 white, translucent	Silicone	Fiberglass sheathed PU black	Fiberglass sheathed Silicon rubber, red	Fiberglass sheathed Silicon rubber, red
	1.6 x 51 x 20000 mm	1.6 x 914 x 914 mm	Ø 15 x 5000 mm	Ø 17 x 15000 mm	Ø 20 x 15000 mm
	-40...180 °C	-65...233 °C	-29...93 °C	-40...250 °C	-40...250 °C
	Page 352	Page 352	Page 352	Page 352	Page 352



	BAM0232 BAM PT-XA-002-380-2-R15	BAM0233 BAM PT-XA-002-500-2-R15	BAM017E BKS-PT-07/16-SI-15	BAM0212 BAM PT-XA-004-070-T-R16	BAM017H BKS-PT-10/16-SI-15
	Silicone-fiberglass tube	Silicone-fiberglass tube	Silicone tube	Silicone tube	Silicone tube
	for cable guard, for weld protection	for cable guard, for weld protection	for cable guard, for weld protection	for cable guard, for weld protection	for cable guard, for weld protection
	Fiberglass sheathed Silicon rubber, red	Fiberglass sheathed Silicon rubber, red	Silicone 60 white, translucent	Silicone 60 white, translucent	Silicone 60 white, translucent
	Ø 45 x 15000 mm	Ø 57 x 15000 mm	Ø 10.2 x 15000 mm	Ø 10.2 x 16000 mm	Ø 13.2 x 15000 mm
	-40...250 °C	-40...250 °C	-60...260 °C	-40...200 °C	-60...260 °C
	Page 352	Page 352	Page 352	Page 352	Page 353



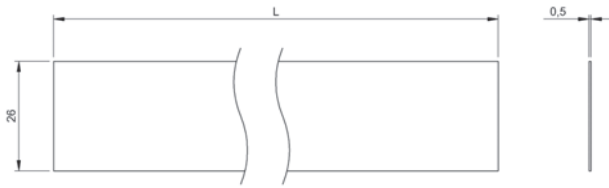
	BAM0213 BAM-PT-XA-004-100-T-R16	BAM017L BKS-PT-13/16-SI-15	BAM0214 BAM-PT-XA-004-130-T-R16	
Short description	Silicone tube	Silicone tube	Silicone tube	
Use	for cable guard, for weld protection	for cable guard, for weld protection	for cable guard, for weld protection	
Material	Silicone 60 white, translucent	Silicone 60 white, translucent	Silicone 60 white, translucent	
Dimension	Ø 13.2 x 16000 mm	Ø 16.2 x 15000 mm	Ø 16.2 x 16000 mm	
Ambient temperature	-40...200 °C	-60...260 °C	-40...200 °C	
Productview	Page 352	Page 353	Page 352	



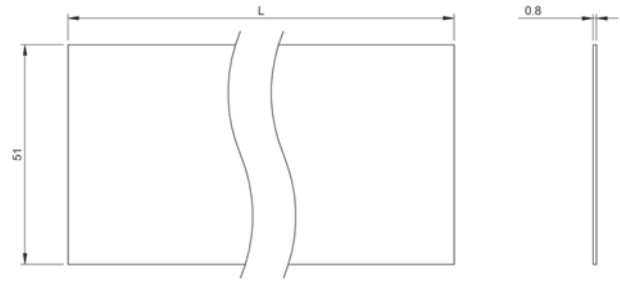
	BAM017Z BKS-PT-50/16-SI-07.5	BAM0217 BAM-PT-XA-004-500-T-R16		
Short description	Silicone tube	Silicone tube		
Use	for cable guard, for weld protection	for cable guard, for weld protection		
Material	Silicone 60 white, translucent	Silicone 60 white, translucent		
Dimension	Ø 53.2 x 7500 mm	Ø 53.2 x 16000 mm		
Ambient temperature	-60...260 °C	-40...200 °C		
Productview	Page 353	Page 352		



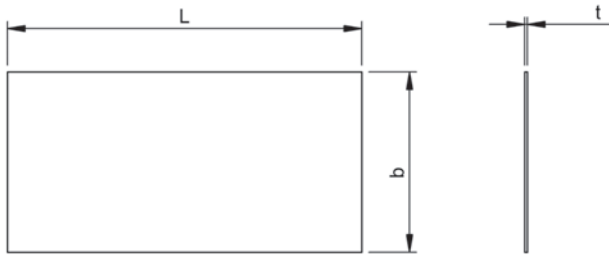
	BAM017N BKS-PT-16/16-SI-15	BAM0215 BAM PT-XA-004-160-T-R16	BAM0216 BAM PT-XA-004-190-T-R16	BAM017R BKS-PT-19/16-SI-15	BAM017U BKS-PT-38/16-SI-07.5
	Silicone tube	Silicone tube	Silicone tube	Silicone tube	Silicone tube
	for cable guard, for weld protection	for cable guard, for weld protection	for cable guard, for weld protection	for cable guard, for weld protection	for cable guard, for weld protection
	Silicone 60 white, translucent	Silicone 60 white, translucent	Silicone 60 white, translucent	Silicone 60 white, translucent	Silicone 60 white, translucent
	Ø 19.2 x 15000 mm	Ø 19.2 x 16000 mm	Ø 21.2 x 16000 mm	Ø 22.2 x 15000 mm	Ø 41.2 x 7500 mm
	-60...260 °C	-40...200 °C	-40...200 °C	-60...260 °C	-60...260 °C
	Page 353	Page 352	Page 352	Page 353	Page 353



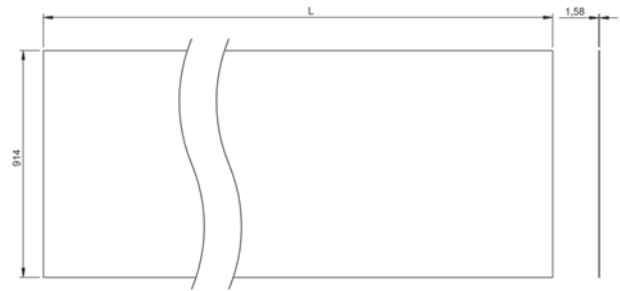
BAM0183



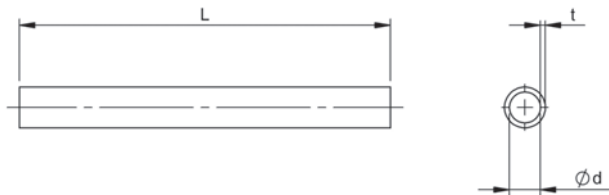
BAM0182



BAM021E, BAM021F



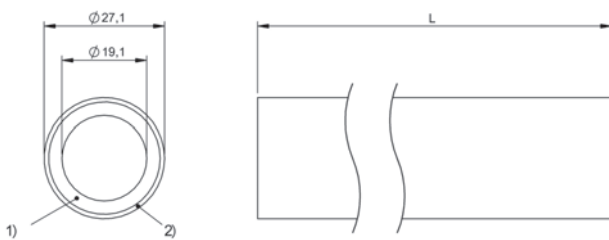
BAM02E3



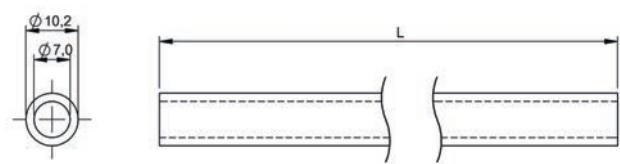
1) Fiberglass braided sleeve, 2) Red iron oxide flame protection

BAM01L4, BAM022Z, BAM0230, BAM0231, BAM0232, BAM0233, BAM0212, BAM0213, BAM0214, BAM0215, BAM0216, BAM0217

BAM01R2

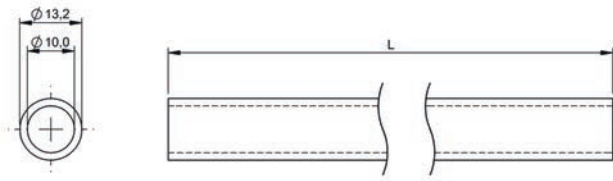


1) Fiberglass braided sleeve, 2) Red iron oxide flame protection

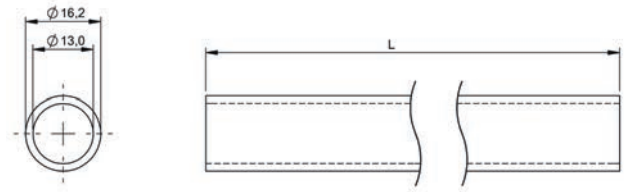


BAM017E

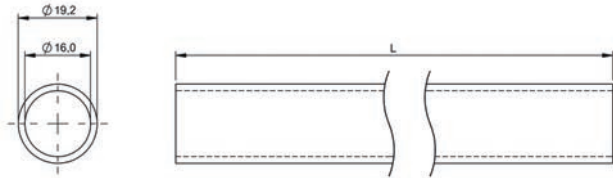
BAM01UY



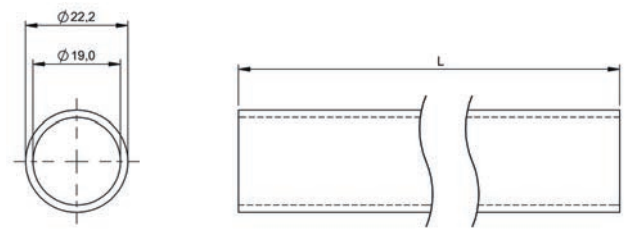
BAM017H



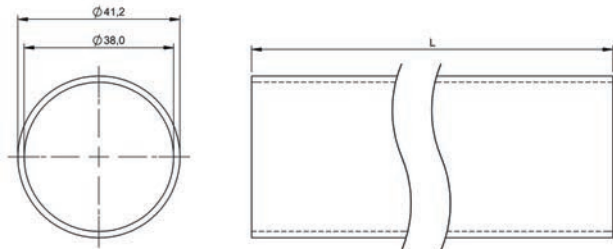
BAM017L



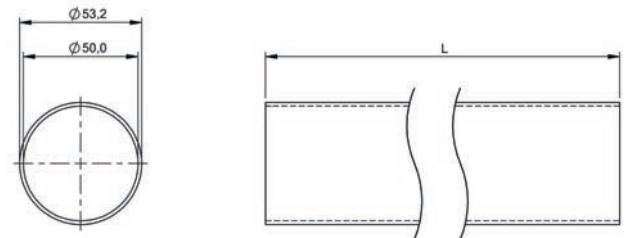
BAM017N



BAM017R



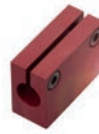
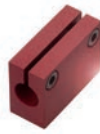
BAM017U



BAM017Z



	BAM02JE BES 08-FA-17	BAM009L BES 08-FA-49	BAM009M BES 08-FA-89	
Short description	Fixed stop	Fixed stop	Fixed stop	
Use	for inductive sensors Ø4, for inductive sensors BES M8	for inductive sensors Ø4, for inductive sensors BES M8	for inductive sensors Ø4, for inductive sensors BES M8	
Material	Stainless steel	Stainless steel	Stainless steel	
Dimension	Ø 8 x 28 mm	Ø 8 x 57 mm	Ø 8 x 97 mm	
Mounting	Screws M8	Screws M8	Screws M8	
Switching output	—	—	—	
Connection	—	—	—	
Ambient temperature	-25...100 °C	-25...100 °C	-25...100 °C	
Productview	Page 364	Page 364	Page 364	



	BAM00AZ BES 12-FA-70	BAM009N BES 08-FA-BS-4,0-G	BAM009P BES 08-FA-BS-4,0-W	BAM009R BES 08-FA-BS-8,0-G	BAM009T BES 08-FA-BS-8,0-W
	Fixed stop	Fixed stop	Fixed stop	Fixed stop	Fixed stop
	for inductive sensors Ø8, for inductive sensors BES M8	for inductive sensors Ø4, for inductive sensors BES M8	for inductive sensors Ø4, for inductive sensors BES M8	for inductive sensors Ø8, for inductive sensors BES M8	for inductive sensors Ø8, for inductive sensors BES M8
	Stainless steel	Aluminum, red anodized	Aluminum, red anodized	Aluminum, red anodized	Aluminum, red anodized
	Ø 12 x 78 mm	28 x 12 x 20 mm	31.8 x 12 x 20 mm	28 x 12 x 20 mm	31.8 x 12 x 20 mm
	Screws M12	Clamps	Clamps	Clamps	Clamps
	—	—	—	—	—
	—	—	—	—	—
	-25...100 °C	-25...100 °C	-25...100 °C	-25...100 °C	-25...100 °C
	Page 364	Page 364	Page 364	Page 364	Page 364

Sensors

RFID

Machine Vision and
Optical Identification

Human Machine
Interfaces

Systems

Safety

Industrial Networking

Power Supply

Connectivity

Accessories



	BAM01AZ BAM FS-XE-001-M5-4	BAM019Y BAM FS-XE-003-M5-4	BAM019W BAM FS-XE-004-M8-4	
Short description	Positive stop tube switch	Positive stop tube switch	Positive stop tube switch	
Use	for inductive sensors BES M5, for inductive sensors Ø5	for inductive sensors BES M5, for inductive sensors Ø5	for inductive sensors BES M8	
Material	Stainless steel	Stainless steel	Stainless steel	
Dimension	Ø 8 x 35 mm	Ø 19 x 35 mm	Ø 19 x 53 mm	
Mounting	Screws M8	Screws M12	Screws M12	
Switching output	—	—	—	
Connection	—	—	—	
Ambient temperature	—	—	—	
Productview	Page 365	Page 365	Page 365	



	BAM01C0 BAM FS-XE-002-D4-4	SET0167 BAV BP-PH-00100-01	SET0168 BAV BP-PH-00100-02	SET017W BAV BP-PH-00100-12	SET016C BAV BP-PH-00102-01
	Positive stop tube switch	Plunger probe with chisel tip	Plunger probe with chisel tip	Plunger probe with chisel tip	Plunger probe with internal threads
	for inductive sensors Ø4	for positive stop plunger sampling	for positive stop plunger sampling	for positive stop plunger sampling	for positive stop plunger sampling
	Stainless steel	Brass chrome-plated Steel Bronze Stainless steel Chrome-plated	Brass chrome-plated Steel Bronze Stainless steel Chrome-plated	Brass chrome-plated Steel Bronze Stainless steel Chrome-plated	Brass chrome-plated Steel Bronze Stainless steel Chrome-plated
	Ø 13 x 47 mm	Ø 18 x 120.5 mm	Ø 18 x 125.6 mm	Ø 18 x 125.6 mm	Ø 18 x 120.5 mm
	Screws M8	Screws M18	Screws M18	Screws M18	Screws M18
	—	PNP normally open (NO)	PNP normally open (NO)	NPN normally open (NO)	PNP normally open (NO)
	—	Connector, M8x1 connector, 3-pin	Cable with connector, M12x1 connector, 4-pin, 0.20 m, PUR	Cable with connector, M12x1 connector, 4-pin, 0.20 m, PUR	Connector, M8x1 connector, 3-pin
	—	0...60 °C	0...60 °C	0...60 °C	0...60 °C
	Page 365	Page 365	Page 365	Page 365	Page 365

Sensors

RFID

Machine Vision and Optical Identification

Human Machine Interfaces

Systems

Safety

Industrial Networking

Power Supply

Connectivity

Accessories



	SET016E BAV BP-PH-00102-02	SET0180 BAV BP-PH-00102-11	SET0181 BAV BP-PH-00102-12	
Short description	Plunger probe with internal threads	Plunger probe with internal threads	Plunger probe with internal threads	
Use	for positive stop plunger sampling	for positive stop plunger sampling	for positive stop plunger sampling	
Material	Brass chrome-plated Steel Bronze Stainless steel Chrome-plated	Brass chrome-plated Steel Bronze Stainless steel	Brass chrome-plated Steel Bronze Stainless steel Chrome-plated	
Dimension	Ø 18 x 125.6 mm	Ø 18 x 120.5 mm	Ø 18 x 125.6 mm	
Mounting	Screws M18	Screws M18	Screws M18	
Switching output	PNP normally open (NO)	NPN normally open (NO)	NPN normally open (NO)	
Connection	Cable with connector, M12x1 connector, 4-pin, 0.20 m, PUR	Connector, M8x1 connector, 3-pin	Cable with connector, M12x1 connector, 4-pin, 0.20 m, PUR	
Ambient temperature	0...60 °C	0...60 °C	0...60 °C	
Productview	Page 365	Page 365	Page 365	



	SET0169 BAV BP-PH-00101-01	SET016A BAV BP-PH-00101-02	SET017Y BAV BP-PH-00101-11	SET017Z BAV BP-PH-00101-12	SET015A BAV BP-PH-00093-01
	Plunger probe with flat tip	Plunger probe with flat tip	Plunger probe with flat tip	Plunger probe with flat tip	Plunger probe with round tip
	for positive stop plunger sampling	for positive stop plunger sampling	for positive stop plunger sampling	for positive stop plunger sampling	for positive stop plunger sampling
	Brass chrome-plated Steel Bronze Stainless steel Chrome-plated	Brass chrome-plated Steel Bronze Stainless steel Chrome-plated	Brass chrome-plated Steel Bronze Stainless steel Chrome-plated	Brass chrome-plated Steel Bronze Stainless steel Chrome-plated	Brass chrome-plated Steel Bronze Stainless steel Chrome-plated
	Ø 18 x 120.5 mm	Ø 18 x 125.6 mm	Ø 18 x 120.5 mm	Ø 18 x 125.6 mm	Ø 18 x 120.5 mm
	Screws M18	Screws M18	Screws M18	Screws M18	Screws M18
	PNP normally open (NO)	PNP normally open (NO)	NPN normally open (NO)	NPN normally open (NO)	PNP normally open (NO)
	Connector, M8x1 connector, 3-pin	Cable with connector, M12x1 connector, 4-pin, 0.20 m, PUR	Connector, M8x1 connector, 3-pin	Cable with connector, M12x1 connector, 4-pin, 0.20 m, PUR	Connector, M8x1 connector, 3-pin
	0...60 °C	0...60 °C	0...60 °C	0...60 °C	0...60 °C
	Page 366	Page 366	Page 366	Page 366	Page 366

Sensors

RFID

Machine Vision and Optical Identification

Human Machine Interfaces

Systems

Safety

Industrial Networking

Power Supply

Connectivity

Accessories



	SET015F BAV BP-PH-00093-02	SET017R BAV BP-PH-00093-11	SET017T BAV BP-PH-00093-12	
Short description	Plunger probe with round tip	Plunger probe with round tip	Plunger probe with round tip	
Use	for positive stop plunger sampling	for positive stop plunger sampling	for positive stop plunger sampling	
Material	Brass chrome-plated Steel Bronze Stainless steel Chrome-plated	Brass chrome-plated Steel Bronze Stainless steel Chrome-plated	Brass chrome-plated Steel Bronze Stainless steel Chrome-plated	
Dimension	Ø 18 x 125.6 mm	Ø 18 x 120.5 mm	Ø 18 x 125.6 mm	
Mounting	Screws M18	Screws M18	Screws M18	
Switching output	PNP normally open (NO)	NPN normally open (NO)	NPN normally open (NO)	
Connection	Cable with connector, M12x1 connector, 4-pin, 0.20 m, PUR	Connector, M8x1 connector, 3-pin	Cable with connector, M12x1 connector, 4-pin, 0.20 m, PUR	
Ambient temperature	0...60 °C	0...60 °C	0...60 °C	
Productview	Page 366	Page 366	Page 366	



	BAM031N BAM FS-XE-005-M8/RK6	BAM025T BAM TG-AM-015-001	BAM02YU BAM TG-AM-015-006	BAM02JW BAM TG-AM-015-004	BAM02JY BAM TG-AM-015-005
	Spare parts set for plunger probe	Disc tip	Disc tip	Tip M8	Tip M10
	for positive stop plunger sampling	for positive stop plunger sampling	for positive stop plunger sampling	for positive stop plunger sampling	for positive stop plunger sampling
	Brass	Stainless steel (1.7225) Zinc coated, light	Stainless steel (1.7225) Zinc coated, light	Stainless steel (1.7225) Zinc coated, light	Stainless steel (1.7225) Zinc coated, light
	Ø 17.95 x 85.5 mm	Ø 50.8 x 12 mm	Ø 25.4 x 12 mm	Ø 9.5 x 29 mm	Ø 9.5 x 29 mm
	Screws	Screw M6	—	Screw M6	Screw M6
	—	—	—	—	—
	—	—	—	—	—
	0...60 °C	0...60 °C	0...60 °C	0...60 °C	0...60 °C
	Page 366	Page 366	Page 366	Page 366	Page 367

Sensors

RFID

Machine Vision and
Optical Identification

Human Machine
Interfaces

Systems

Safety

Industrial Networking

Power Supply

Connectivity

Accessories



	BAM02JU BAM TG-AM-015-003	BAM027T BAM TG-AM-015-002	BAM0260 BAM FS-XE-005-M8-2-01T	
Short description	Tip M4	Tip M6	Spare parts set for plunger probe	
Use	for positive stop plunger sampling	for positive stop plunger sampling	for positive stop plunger sampling	
Material	Stainless steel (1.7225) Zinc coated, light	Stainless steel (1.7225) Zinc coated, light	Brass Chrome-plated Steel Bronze Stainless steel Chrome-plated	
Dimension	Ø 9.5 x 29 mm	Ø 9.5 x 29 mm	Ø 18 x 120.5 mm	
Mounting	Screw M6	Screw M6	Screws	
Switching output	—	—	—	
Connection	—	—	—	
Ambient temperature	0...60 °C	0...60 °C	0...60 °C	
Productview	Page 367	Page 367	Page 367	



	BAM025U BAM FS-XE-005-M8-2-01P	BAM025W BAM FS-XE-005-M8-2-01F	BAM022W BAM FS-XE-005-M8-2-01R		
	Spare parts set for plunger probe	Spare parts set for plunger probe	Spare parts set for plunger probe		
	for positive stop plunger sampling	for positive stop plunger sampling	for positive stop plunger sampling		
	Brass Chrome-plated Steel Stainless steel Bronze Chrome-plated	Brass Chrome-plated Steel Stainless steel Bronze Chrome-plated	Brass Chrome-plated Steel Bronze Stainless steel Chrome-plated		
	Ø 18 x 125.6 mm	Ø 18 x 120.5 mm	Ø 18 x 125.3 mm		
	M8x1	Screws	Screws		
	—	—	—		
	—	—	—		
	0...60 °C	0...60 °C	0...60 °C		
	Page 367	Page 367	Page 367		

Sensors

RFID

Machine Vision and
Optical Identification

Human Machine
Interfaces

Systems

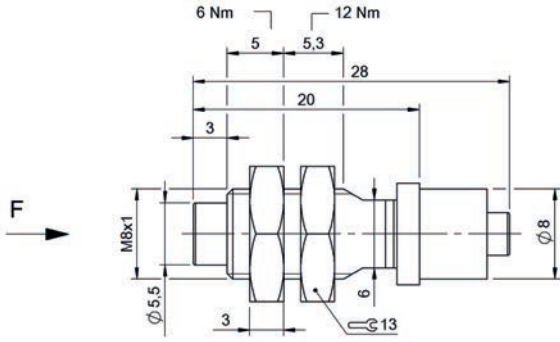
Safety

Industrial Networking

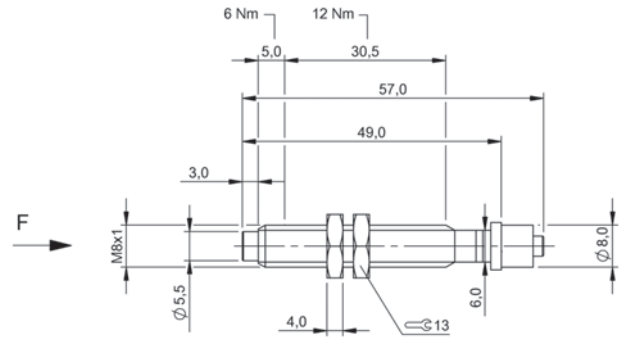
Power Supply

Connectivity

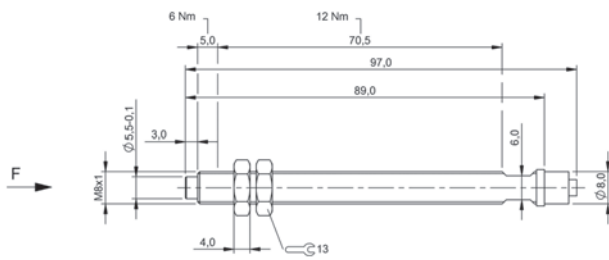
Accessories



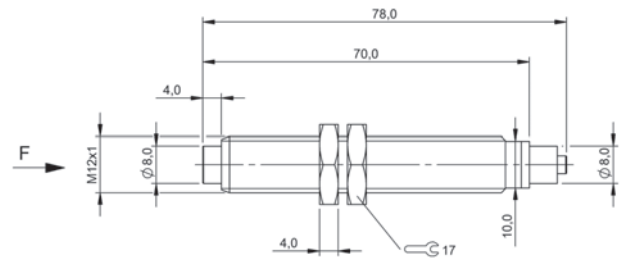
BAM02JE



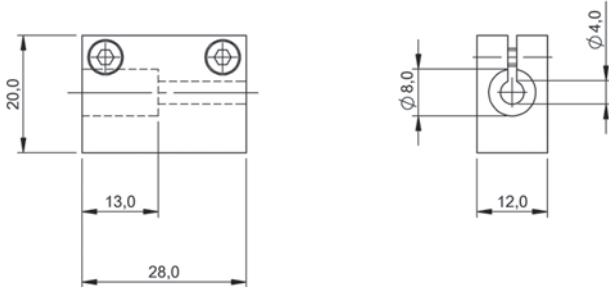
BAM009L



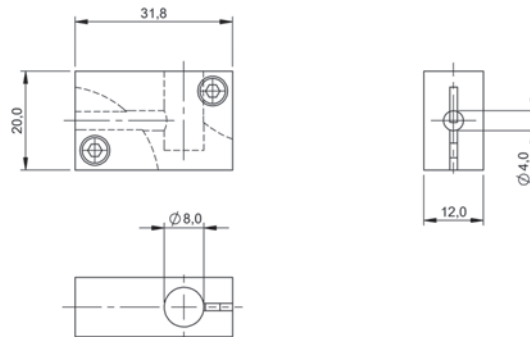
BAM009M



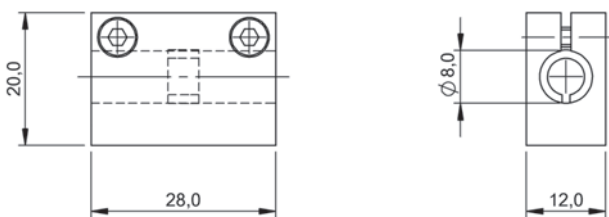
BAM00AZ



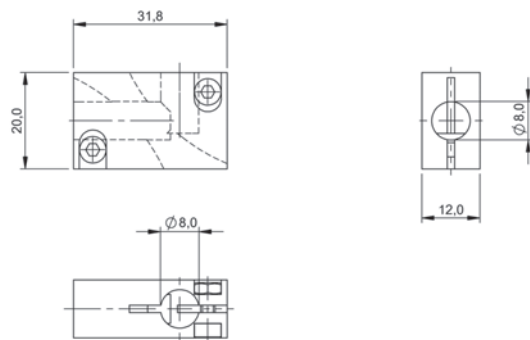
BAM009N



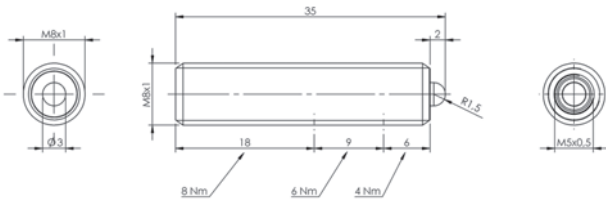
BAM009P



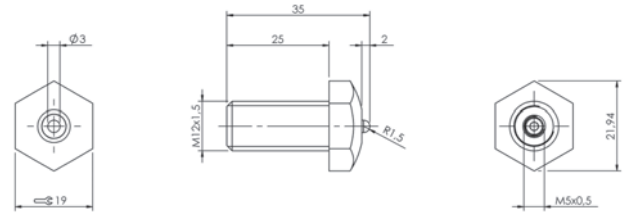
BAM009R



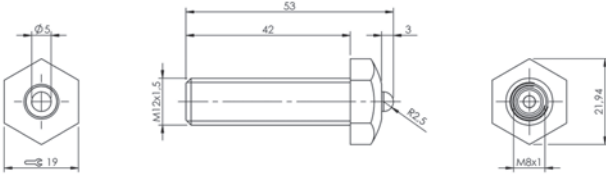
BAM009T



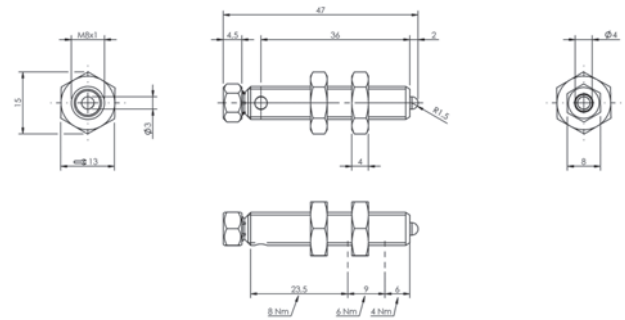
BAM01AZ



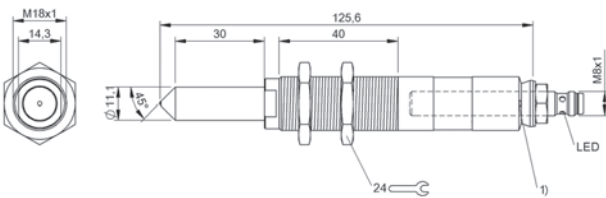
BAM019Y



BAM019W

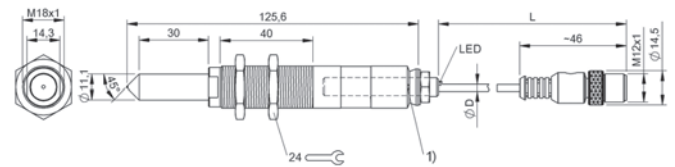


BAM01C0



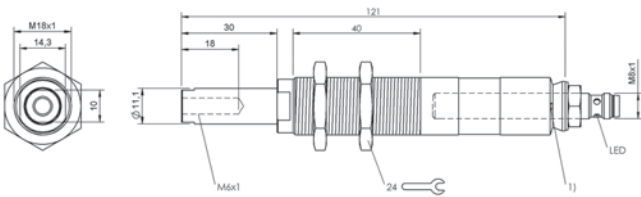
1) Leakage hole

SET0167



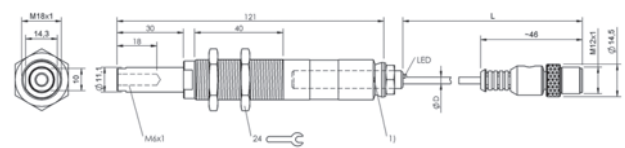
1) Leakage hole

SET0168, SET017W



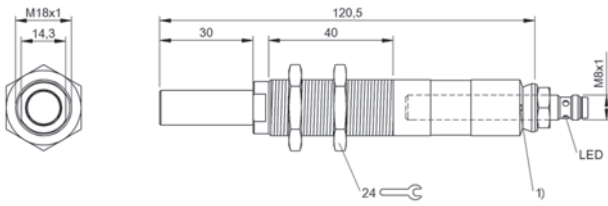
1) Leakage hole

SET016C, SET0180



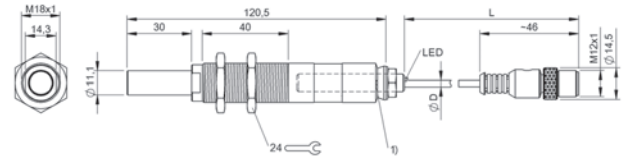
1) Leakage hole

SET016E, SET0181



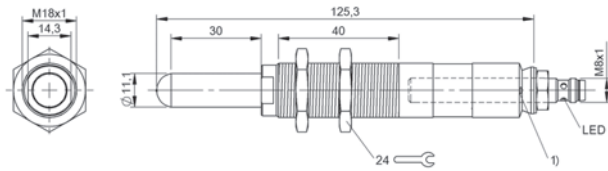
1) Leakage hole

SET0169, SET017Y



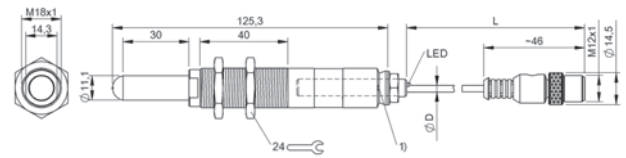
1) Leakage hole

SET016A, SET017Z



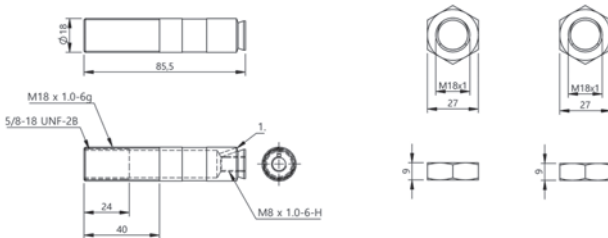
1) Leakage hole

SET015A, SET017R



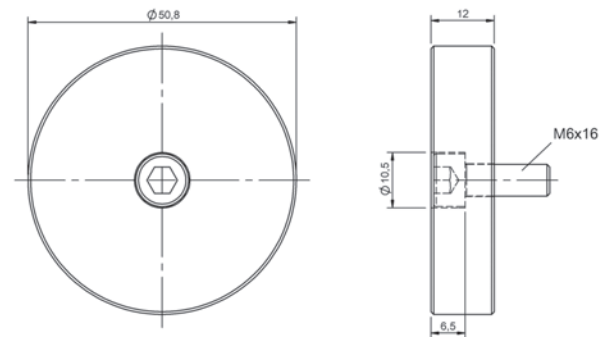
1) Leakage hole

SET015F, SET017T

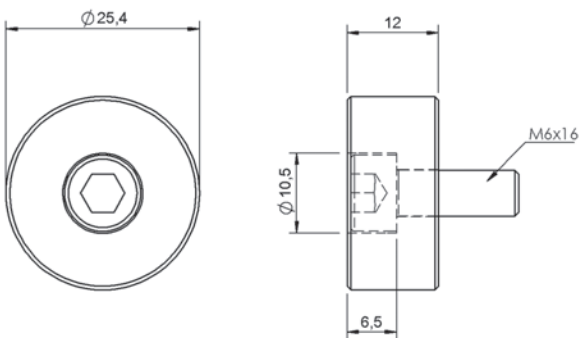


1) Leakage hole

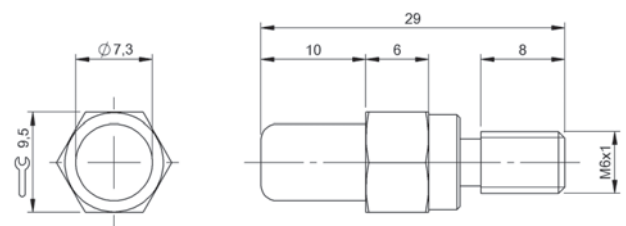
BAM031N



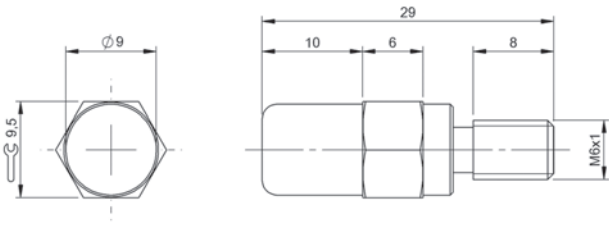
BAM025T



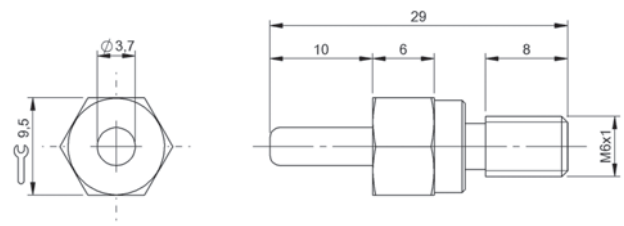
BAM02YU



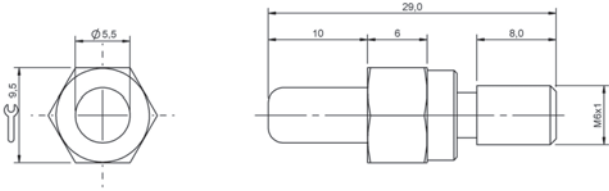
BAM02JW



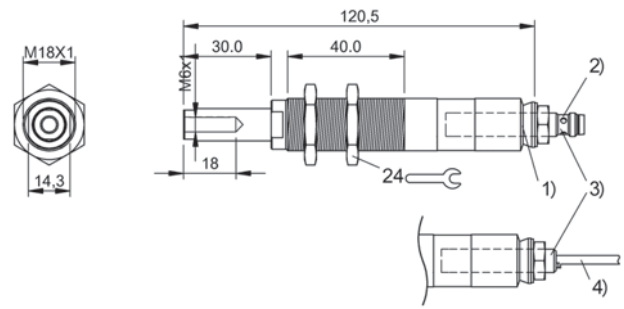
BAM02JY



BAM02JU

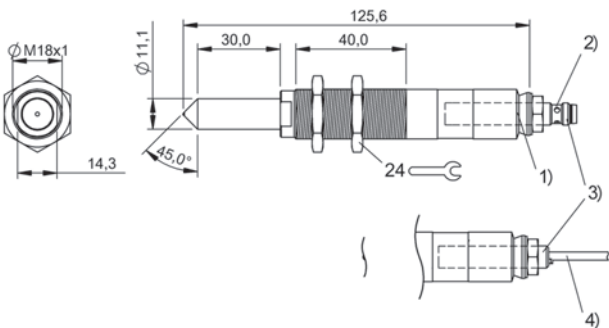


BAM027T



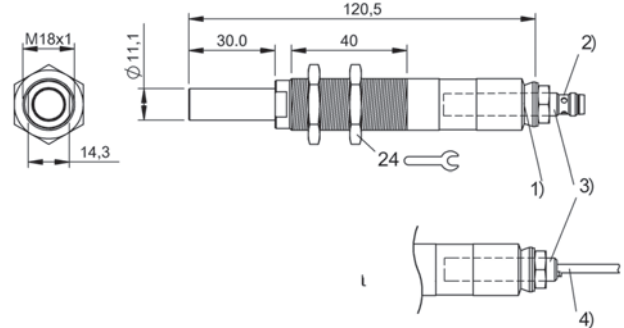
1) Leakage hole, 2) Detail of connector installation, 3) Not included in scope of delivery, 4) Cable attachment detail

BAM0260



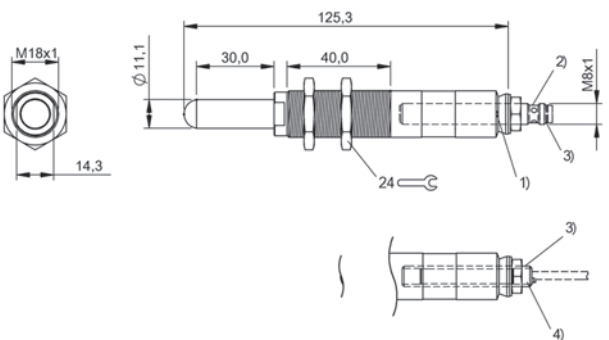
1) Leakage hole, 2) Detail of connector installation, 3) Not included in scope of delivery, 4) Cable attachment detail

BAM025U



1) Leakage hole, 2) Detail of connector installation, 3) Not included in scope of delivery, 4) Cable attachment detail

BAM025W



1) Leakage hole, 2) Detail of connector installation, 3) Included in the scope of delivery, 4) not installed, 5) Cable attachment detail

BAM022W



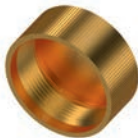
	BAM02R5 BAM PC-XE-028-M8-9	BAM009Z BES 08-SM-1	BAM00A0 BES 08-SM-1F	
Short description	Protective cap	Protective cap	Protective cap	
Use	For M08 sensors	For M08 sensors	For M08 sensors	
Material	Ceramic	PTFE	PTFE	
Dimension	Ø 38 x 20 mm	Ø 10 x 5 mm	Ø 10 x 9 mm	
Mounting	M8x1	Screws	Screws	
Productview	Page 372	Page 372	Page 372	



	BAM00EZ BES 18-SM-1	BAM00FO BES 18-SM-2	BAM00F1 BES 18-SM-3	
Short description	Protective cap	Protective cap	Protective cap	
Use	For M18 sensors	For M18 sensors	For M18 sensors	
Material	PTFE	POM	PTFE	
Dimension	Ø 22.00 mm/Ø 18.00 mm x 5.00 mm	Ø 21.50 mm/Ø 18.00 mm x 9.30 mm	Ø 38.50 mm/Ø 18.00 mm x 65.00 mm	
Mounting	Screws	Screws	Screws	
Productview	Page 373	Page 373	Page 373	



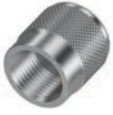
	BAM02KM BAM CS-XA-001-M12-5	BAM02R6 BAM PC-XE-028-M12-9	BAM00C2 BES 12-SM-2	BAM00EP BES 16-SM-2	BAM02R7 BAM PC-XE-028-M18-9
	Protective cap	Protective cap	Protective cap	Protective cap	Protective cap
	for M12 connector	For M12 sensors	For M12 sensors	For M16 sensors	for front-flush sensors M18, for inductive sensors BES M18
	Stainless steel	Ceramic	POM	PTFE	Ceramic
	Ø 13.5 x 12.5 mm	Ø 38 x 20 mm	Ø 16 x 10 mm	Ø 20 x 15 mm	Ø 38 x 20 mm
	Screws	M12x1	Screws	Screws	—
	Page 372	Page 372	Page 372	Page 372	Page 372



	BAM00H8 BES 22-SM-2	BAM012P BKS-23-CS-00	BAM02R8 BAM PC-XE-028-M30-9	BAM00HJ BES 30-SM-1	BAM00HK BES 30-SM-2
	Protective cap	Protective cap	Protective cap	Protective cap	Protective cap
	for M22 sensors	for inductive sensors BES M23	for front-flush sensors M30	For M30 sensors	For M30 sensors
	PTFE	Brass	Ceramic	POM	POM
	Ø 28 x 15 mm	Ø 26 x 11 mm	Ø 38 x 20 mm	Ø 34 x 5 mm	Ø 37 x 15 mm
	Screws	Screws	Screws	Screws	Screws
	Page 373	Page 373	Page 373	Page 373	Page 373



	BAM00HL BES 30-SM-3	BAM00HM BES 30-SM-5	BAM00JL BES 36-SM-2	
Short description	Protective cap	Protective cap	Protective cap	
Use	For M30 sensors	For M30 sensors	For M36 sensors	
Material	PTFE	PTFE	POM	
Dimension	Ø 41.3 x 73.4 mm	Ø 41.3 x 73.4 mm	Ø 42 x 15 mm	
Mounting	Screws	Screws	Screws	
Productview	Page 374	Page 374	Page 374	



BAM02TU BAM CS-XA-001-M12-2				
Protective cap				
for processor units BIS U				
Brass nickel plated				
Ø 14.5 x 15 mm				
Screws				
Page 374				

Sensors

RFID

Machine Vision and
Optical Identification

Human Machine
Interfaces

Systems

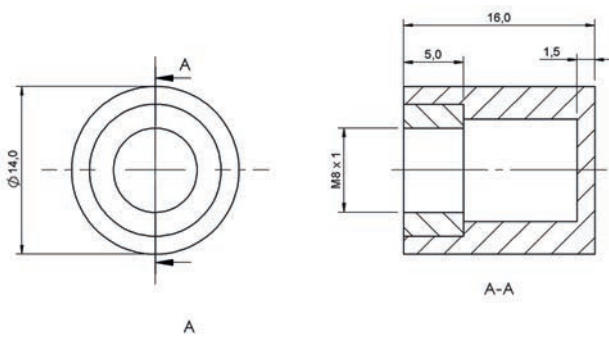
Safety

Industrial Networking

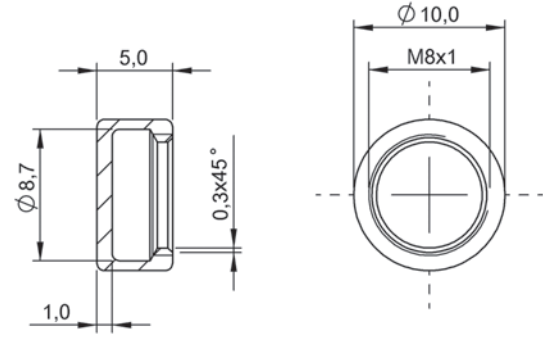
Power Supply

Connectivity

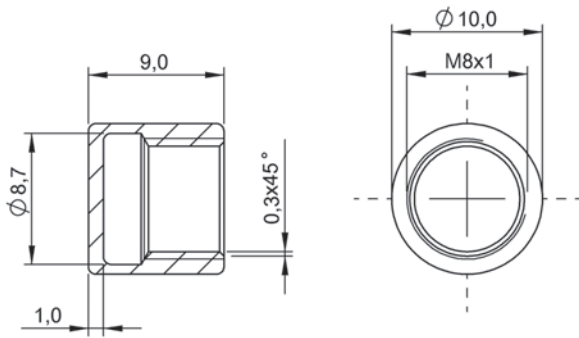
Accessories



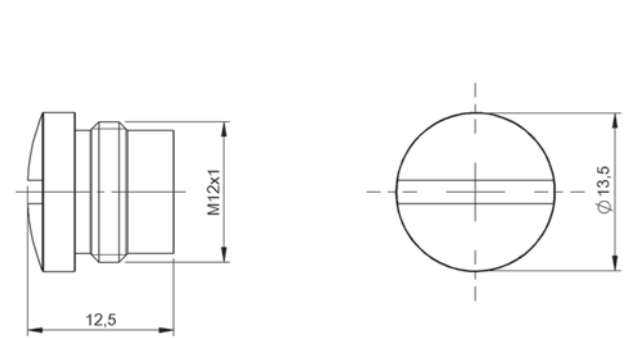
BAM02R5



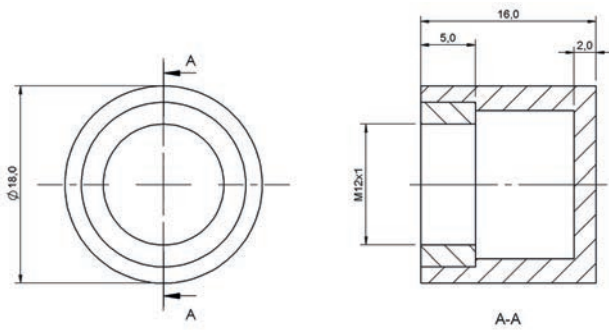
BAM009Z



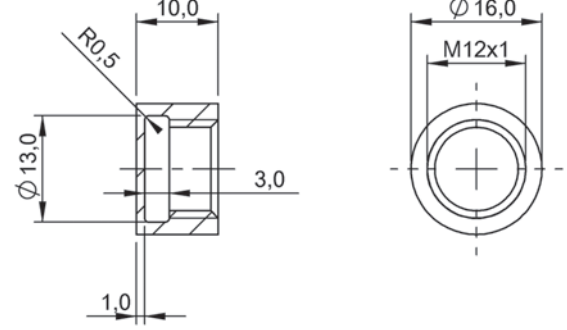
BAM00A0



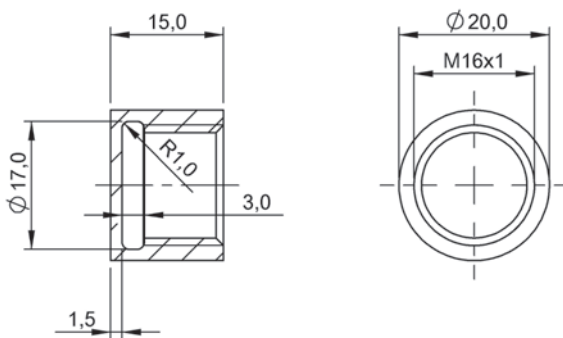
BAM02KM



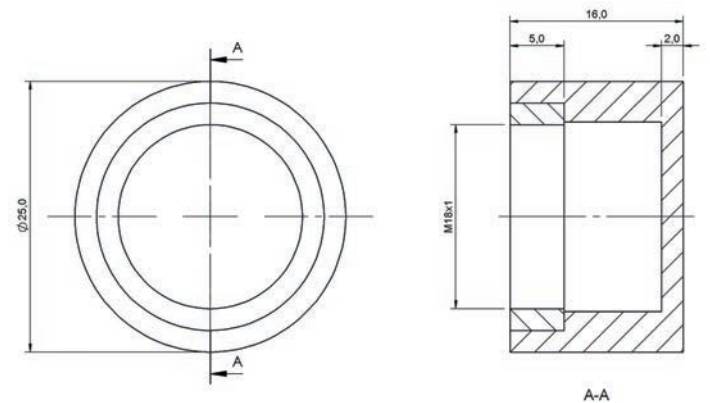
BAM02R6



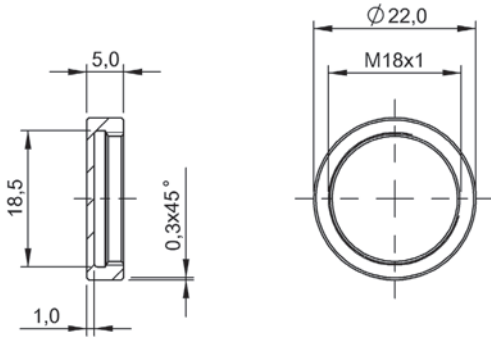
BAM00C2



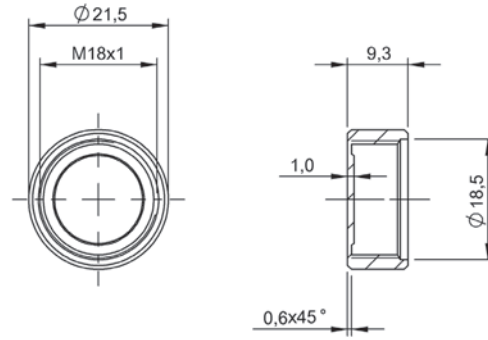
BAM00EP



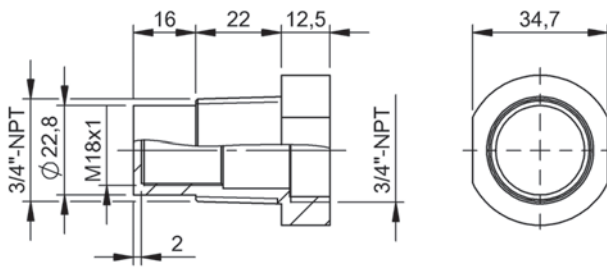
BAM02R7



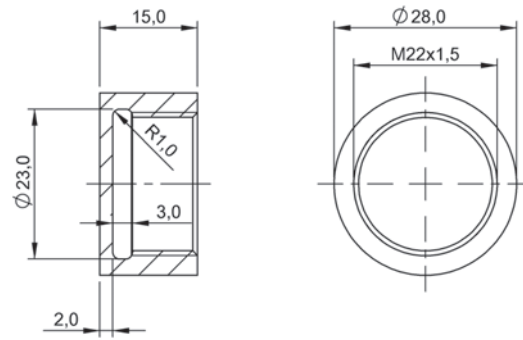
BAM00EZ



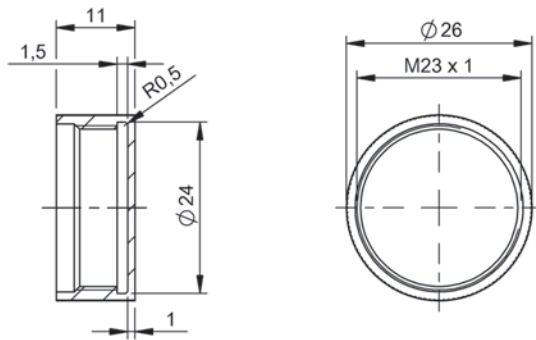
BAM00FO



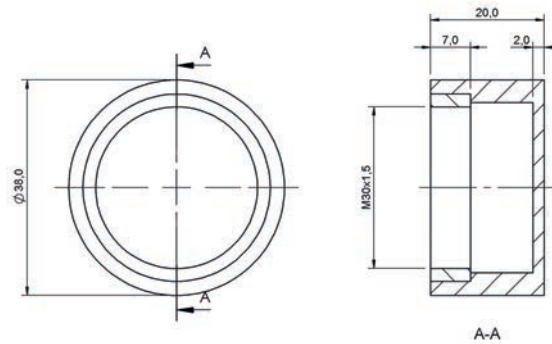
BAM00F1



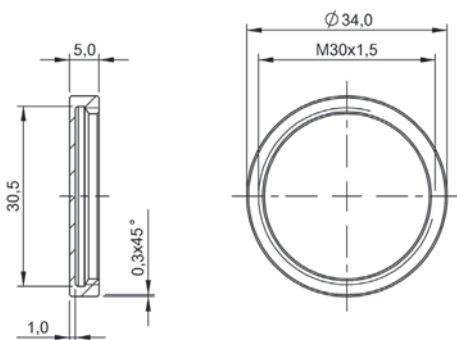
BAM00H8



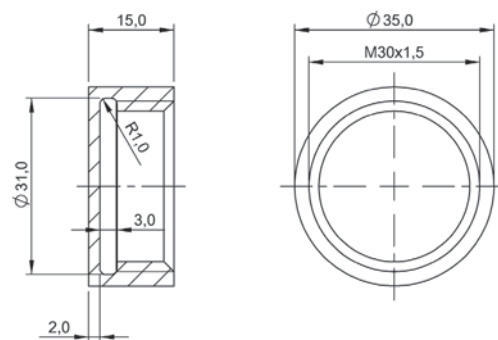
BAM012P



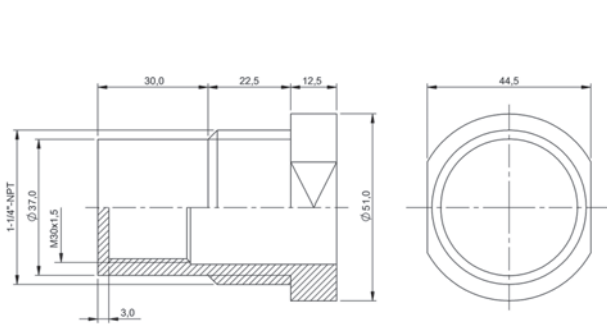
BAM02R8



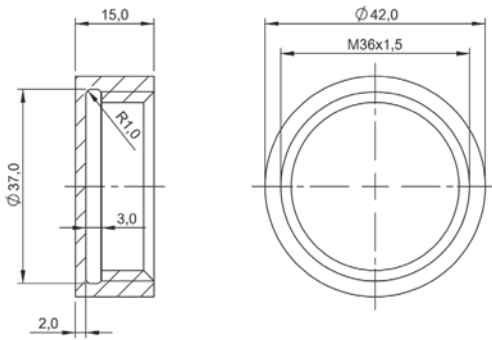
BAM0012P



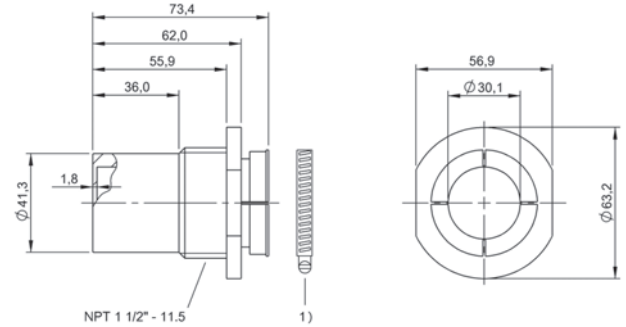
BAM00HJ



BAM00HL

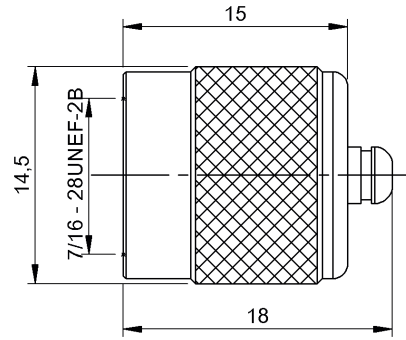


BAM00JL



1) Hose clamp 8x0.6 on Ø43

BAM00HM



BAM02TU



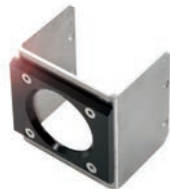
	BAM029N BAM AN-AM-001-01-1	BAM00PY BOS 12-LT-1	
Short description	air tube / cooling	air tube / cooling	
Use	for protection housing BOS 23K, for protection housing BOS 50K	for photoelectric sensors BOS 12M	
Material	Aluminum anodized, black	Aluminum anodized, black	
Protection sheet material	—	—	
Dimension	62 x 17.3 x 21.2 mm	Ø 14 x 25 mm	
Mounting	Screws	Thread M12x1	
Ambient temperature	—	—	
Approval/Conformity	—	—	
Productview	Page 382	Page 382	



	BAM01YN BAM CS-XA-008-M12-4	BAM02WF BAM PC-XE-034-Q40-1	
Short description	Protective cover	Protective cover	
Use	for M12 connector	for inductive sensors BES Q40, for inductive couplers BIC Q40	
Material	Brass nickel plated	PA 6 Aluminum anodized	
Protection sheet material	—	—	
Dimension	15 x 10.5 mm	106 x 103.2 x 65 mm	
Mounting	Screws	Screws	
Ambient temperature	—	—	
Approval/Conformity	—	—	
Productview	Page 382	Page 382	



BAM00R9 BOS 18-LT-1	BAM021R BAM PC-XA-016-001-A	BAM01LE BAM CS-XA-004-U7/8-A	BAM01LF BAM CS-XA-005-U7/8-A
air tube / cooling	Carrying case	Protective cover	Protective cover
for photoelectric sensors BOS 18K, for photoelectric sensors BOS 18M	For protective cover handheld	BNI, BPI	BNI, BPI
Aluminum anodized, black	Cordura, black	PA	PA
—	—	—	—
Ø 22 x 30 mm	175 x 55 x 105 mm	Ø 27 x 150 mm	Ø 27 x 150 mm
Thread M18x1	Pushbutton closure	Screws	Screws
—	—	—	—
—	—	—	—
Page 382	Page 382	Page 382	Page 382



BAM01LJ BAM PC-US-007-M18-2/W	BAM024W BAM PC-VS-017-1	BAM02NA BAM PC-VS-023-1	BAM02W0 BAM PC-VS-023-1-01
Protective cover	Protective cover for optics	Protective cover for optics	Protective cover for optics
for ultrasonic sensors BUS M18	for BVS ...-E	for BVS SC-..	for BVS SC-..
Copper coated, black	Stainless steel Aluminum	Aluminum anodized, black	Aluminum anodized, black
—	Glass ceramic	Luxacryl/2h	Luxacryl/2h
Ø 22 x 25 mm	64 x 46 x 60 mm	Ø 45 x 54 mm	Ø 45 x 83 mm
Screws	Screws	Screws	Screws
—	—	—	—
—	—	—	—
Page 383	Page 383	Page 383	Page 383



	BAM029L BAM PC-OS-024-23K-1	BAM029E BAM PC-OS-024-23K-G/RK	
Short description	Protective housing	Protective cover for optics	
Use	for photoelectric sensors BOS 23K	protection cover for protection housing BOS 23K	
Material	Cast aluminum coated, black	Cast aluminum coated, black	
Protection sheet material	Glass ceramic	Glass ceramic	
Dimension	84.1 x 107 x 124.5 mm	55 x 96.3 x 20 mm	
Mounting	Screws, Clamps	Screws, Clamps	
Ambient temperature	-5...90 °C, cooled max. 160 °C, min. 0 °C (water 8°C, 2l/min)	—	
Approval/Conformity	EX II 3Dtd III C T90°C Dc EPS 16 ATEX 1 107 X	—	
Productview	Page 383	Page 383	



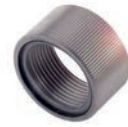
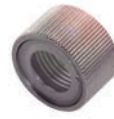
	BAM029F BAM PC-OS-025-23K-M/RK	BAM02H4 BAM PC-OS-025-50K-1	
Short description	Protective cover for optics	Protective housing	
Use	protection cover for protection housing BOS 23K	for photoelectric sensors BOS 50K	
Material	Cast aluminum	Cast aluminum	
Protection sheet material	PMMA	PMMA	
Dimension	55 x 20 x 96.3 mm	89.1 x 135.7 x 133 mm	
Mounting	Screws, Clamps	Screws, Clamps	
Ambient temperature	—	-5...90 °C, uncooled	
Approval/Conformity	—	—	
Productview	Page 383	Page 383	



	BAM029M BAM PC-OS-025-23K-1	BAM029K BAM PC-OS-026-23K-1	BAM029C BAM PC-OS-024-50K-1	BAM029H BAM PC-OS-024-50K-G/RK
	Protective housing	Water connection for protective housing	Protective housing	Protective cover for optics
	for photoelectric sensors BOS 23K	for protection housing BOS 23K	for photoelectric sensors BOS 50K	protection cover for protection housing BOS 50K
	Cast aluminum anodized, black	Aluminum, black Brass	Cast aluminum coated, black	Cast aluminum anodized, black
	PMMA	—	Glass ceramic	Glass ceramic
	84.1 x 124.5 x 107 mm	3 x 70.7 x 45.7 mm	89.1 x 133 x 135.7 mm	60 x 122.5 x 22.5 mm
	Screws, Clamps	Screws	Screws, Clamps	Screws, Clamps
	-5...90 °C, uncooled	—	-5...90 °C, cooled max. 160 °C, min. 0 °C (water 8°C, 2l/min)	—
	—	—	EX II 3Dtd III C T90°C Dc EPS 16 ATEX 1 107 X	—
	Page 383	Page 383	Page 383	Page 384



	BAM029J BAM PC-OS-025-50K-G/RK	BAM029P BAM PC-OS-026-50K-1	BAM01RR BAM PC-VS-008-1	BAM01Y5 BAM PC-XO-005-08M-4
	Protective cover for optics	Water connection for protective housing	Protective housing	Protective nut
	protection cover for protection housing BOS 50K	for protection cover optics BOS 50K	for Vision sensor BVS	for photoelectric sensors BOS 08M
	Cast aluminum	Aluminum, black Brass	Painted aluminum Glass	Stainless steel Glass
	PMMA	—	—	—
	60 x 122.5 x 22.5 mm	3 x 80.7 x 49.7 mm	80 x 175 x 58 mm	Ø 12 x 10 mm
	Screws, Clamps	Screws	Screws	Screws
	—	—	—	—
	—	—	—	—
	Page 384	Page 384	Page 384	Page 384



	BAM01Y6 BAM PC-X0-005-12M-4	BAM01NC BAM PC-X0-005-18M-4	
Short description	Protective nut	Protective nut	
Use	for photoelectric sensors BOS 12M	for photoelectric sensors BOS 18M	
Material	Stainless steel Glass	Stainless steel Glass	
Protection sheet material	—	—	
Dimension	Ø 17 x 10 mm	Ø 22 x 13 mm	
Mounting	Screws	Screws	
Ambient temperature	—	—	
Approval/Conformity	—	—	
Productview	Page 384	Page 384	



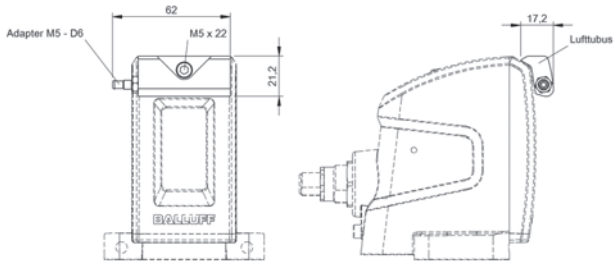
	BAM01C2 BAM CS-XA-002-M12-A	BAM0114 BKS-12-CS-01	
Short description	Protective nut	Protective nut	
Use	BNI M12	for M12 connector	
Material	PC ABS (UL certified)	Brass nickel plated	
Protection sheet material	—	—	
Dimension	Ø 14 x 13.2 mm	Ø 13.5 x 12 mm	
Mounting	Screws	Screws	
Ambient temperature	—	—	
Approval/Conformity	—	—	
Productview	Page 385	Page 385	



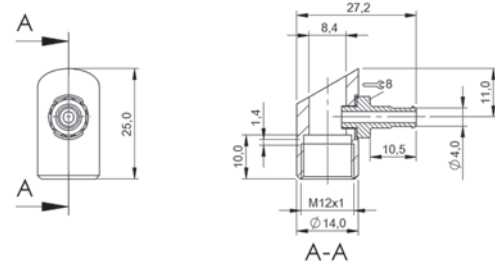
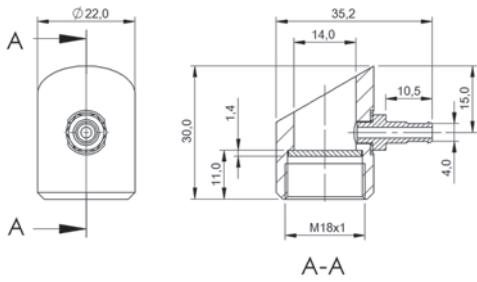
BAM00RL BOS 18-SM-1	BAM01L8 BAM PC-X0-006-23K-1	BAM01YL BAM PC-X0-006-23K-G/RK	BAM01C1 BAM CS-XA-001-M8-C
Protective nut	Protective cover for optics	Protective cover for optics	Protective nut
for photoelectric sensors BOS 18M	for photoelectric sensors BOS 23K	for protection cover optics BOS 23K	for junction blocks M8
POM	Aluminum anodized Glass	Glass	PC ABS
Glass	—	—	—
Ø 22 x 16 mm	22.5 x 59.3 x 34.3 mm	58 x 3 x 19.9 mm	Ø 9.1 x 8.5 mm
Screws	Screws	Screws	Screws
—	—	—	—
—	—	—	—
Page 384	Page 384	Page 385	Page 385



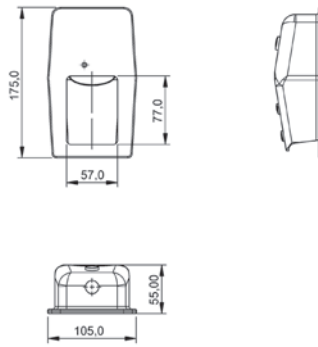
BAM0115 BKS-12-CS-02	BAM012T BKS-7/8-CS-00-A		
port cover	port cover		
for active and passive junction blocks	for active and passive junction blocks		
PC/ABS	Aluminum Anodized Nickel-plated brass		
—	—		
Ø 12 x 11.9 mm	Ø 22.23 x 21.4 mm		
M12x1	7/8"-16		
—	—		
—	—		
Page 385	Page 385		



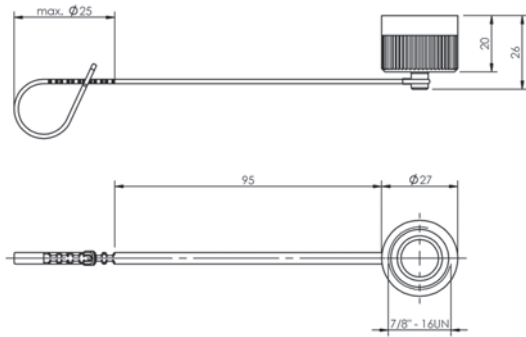
BAM029N



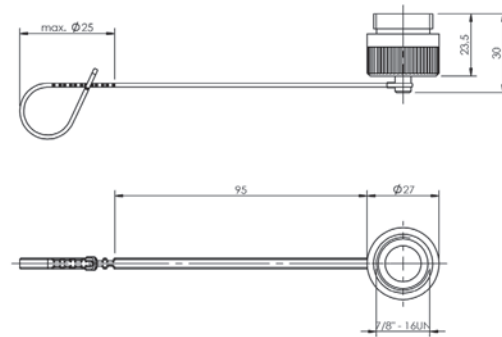
BAM00PY



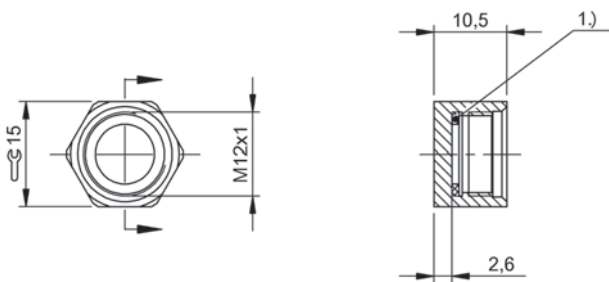
BAM00R9



BAM021R

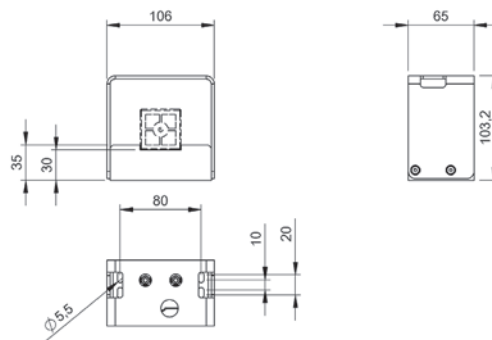


BAM01LE



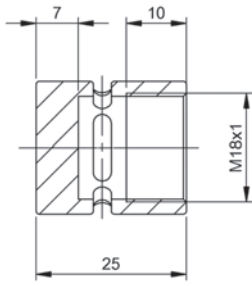
1) Sealing ring

BAM01LF

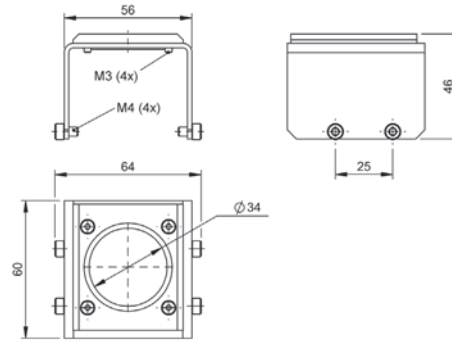
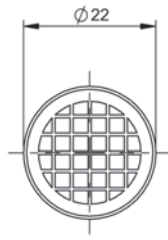


BAM01YN

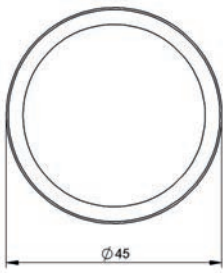
BAM02WF



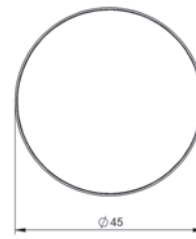
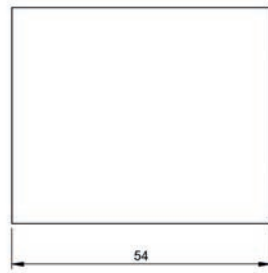
BAM01LJ



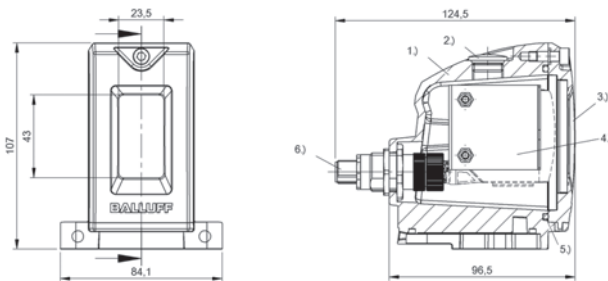
BAM024W



BAM02NA

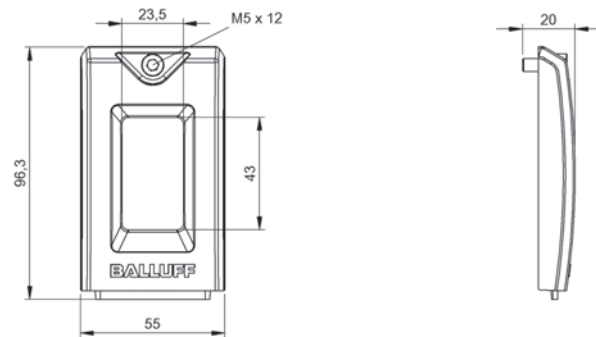


BAM02W0

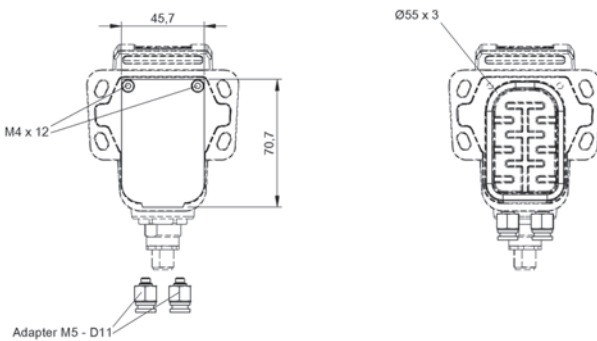


1) Housing, 2) Sensor setting access, 3) Cover, 4) Mounting plate, 5) Sealing ring, 6) Pass-through

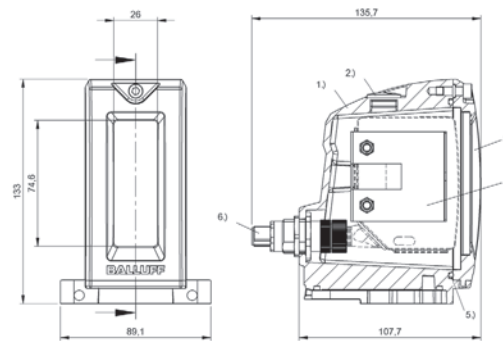
BAM029L, BAM029M



BAM029E, BAM029F

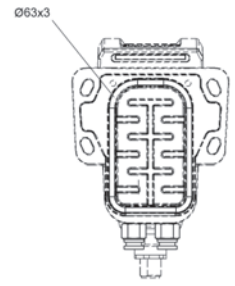
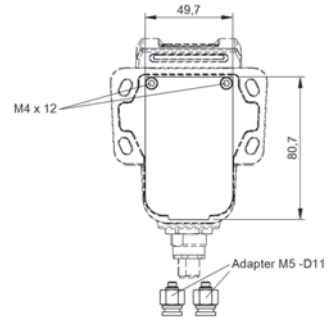
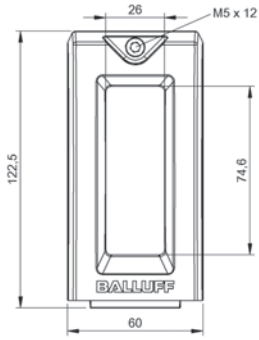


BAM029K



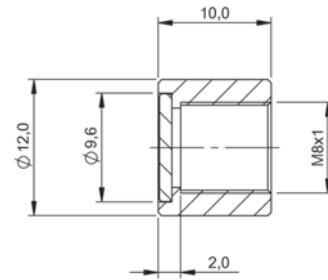
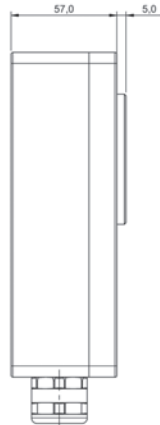
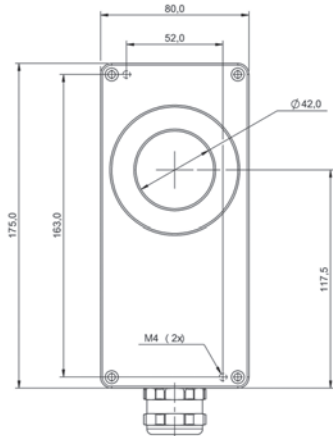
1) Housing, 2) Sensor setting access, 3) Cover, 4) Mounting plate, 5) Sealing ring, 6) Pass-through

BAM029C, BAM02H4



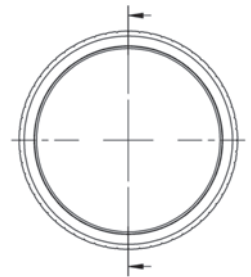
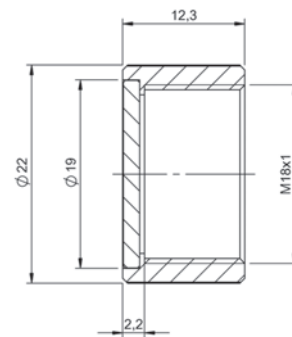
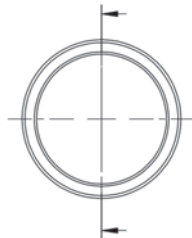
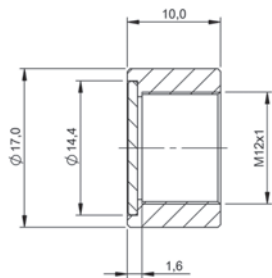
BAM029H, BAM029J

BAM029P



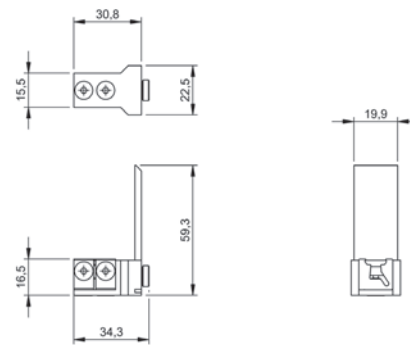
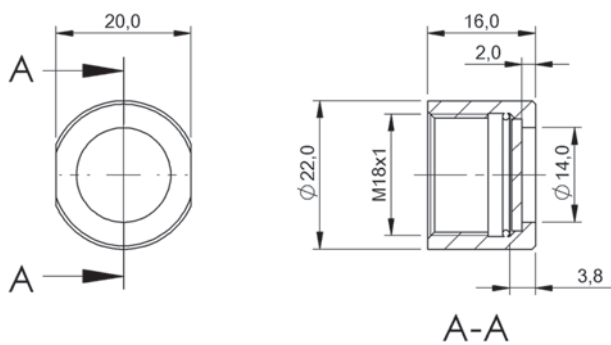
BAM01RR

BAM01Y5



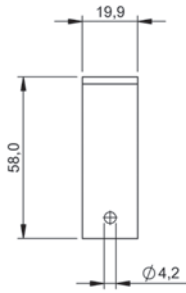
BAM01Y6

BAM01NC

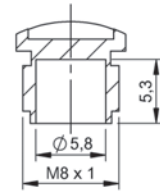
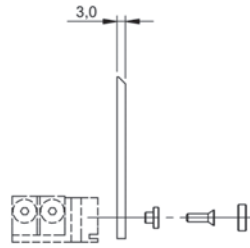


BAM00RL

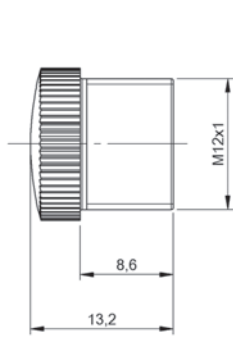
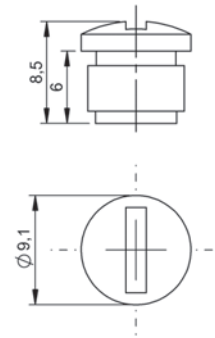
BAM01L8



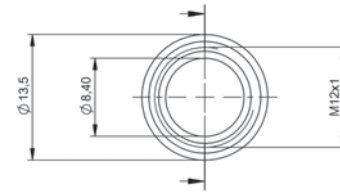
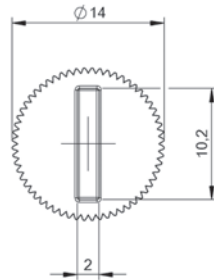
BAM01YL



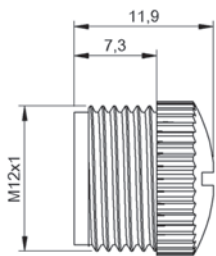
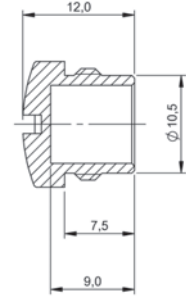
BAM01C1



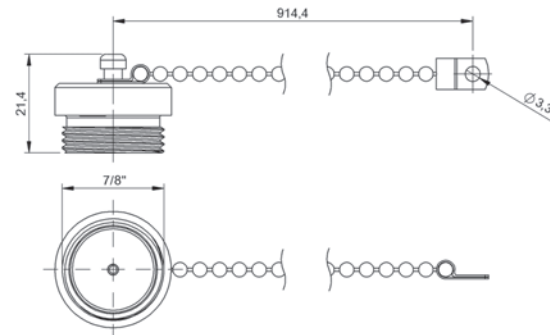
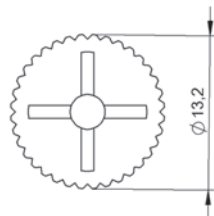
BAM01C2



BAM0114



BAM0115



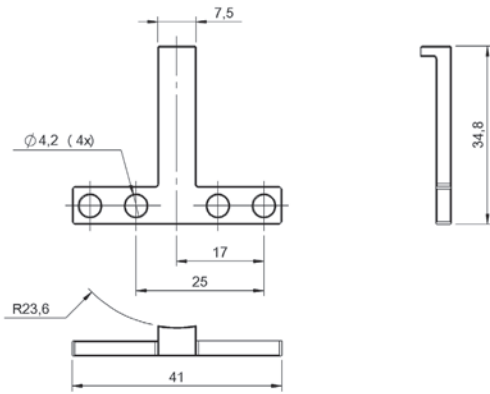
BAM012T



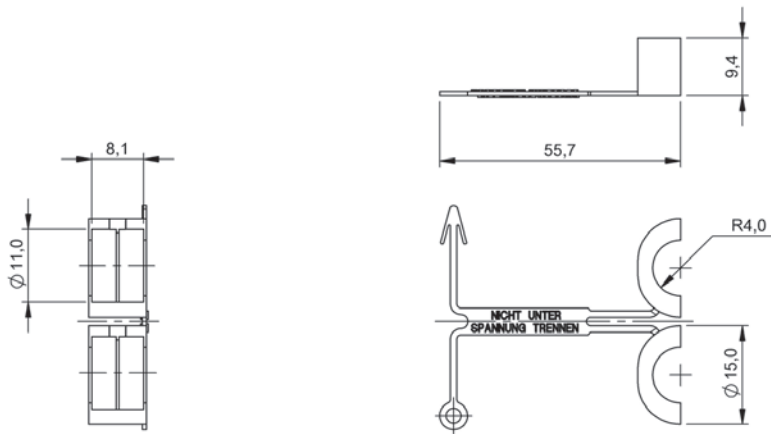
	BAM0206 BAM FK-VS-002-03-1	
Short description	Focusing ring lock	
Use	for Vision sensor BVS	
Application	For locking the set focus	
Material	Aluminum anodized	
Mounting	Screw M4	
Productview	Page 388	



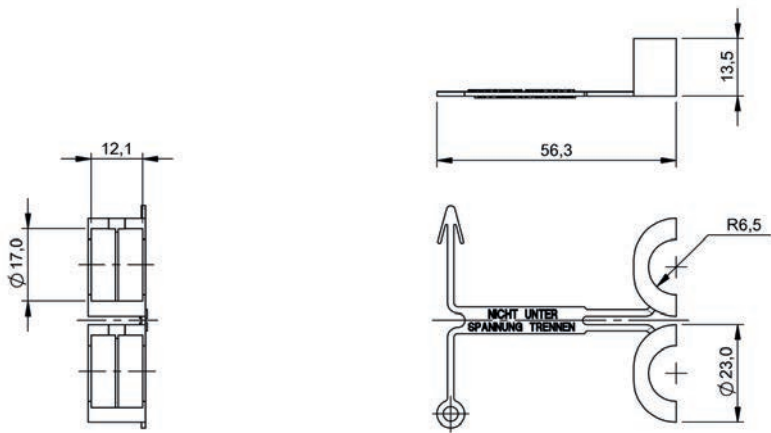
BAM01Z5	BAM01Z4
BAM FK-CC-005-M08-A	BAM FK-CC-005-M12-A
Sabotage protection	Sabotage protection
for M8 connector	for M12 connector
—	—
PA	PA
Clamps	Clamps
Page 388	Page 388



BAM0206



BAM0125



BAM0124



	BAM015U BESA-08-CM	BAM015W BESA-12-CM	
Short description	Collision Protection	Collision Protection	
Use	for inductive sensors BES M8	for inductive sensors BES M12	
Material	POM anodized Aluminum	POM anodized Aluminum	
Dimension	Ø 16 x 22.1 mm	Ø 22 x 21 mm	
Mounting	Screws M16	Screws M22	
Ambient temperature	-45...85 °C	-45...85 °C	
Productview	Page 392	Page 392	



	BAM015Y BESA-18-CM	BAM015Z BESA-30-CM	BAM00NU BFO 04-FS-1	
	Collision Protection	Collision Protection	Metal corrugated tubes	
	for inductive sensors BES M18	for inductive sensors BES M30	for fibre optics BFO M4	
	POM anodized Aluminum	POM anodized Aluminum	Brass nickel plated Steel	
	Ø 30 x 30 mm	Ø 47 x 37.3 mm	Ø 12 x 2000 mm	
	Screws M30	Screws M47	Screw M3	
	-45...85 °C	-45...85 °C	—	
	Page 392	Page 392	Page 392	

Sensors

RFID

Machine Vision and
Optical Identification

Human Machine
Interfaces

Systems

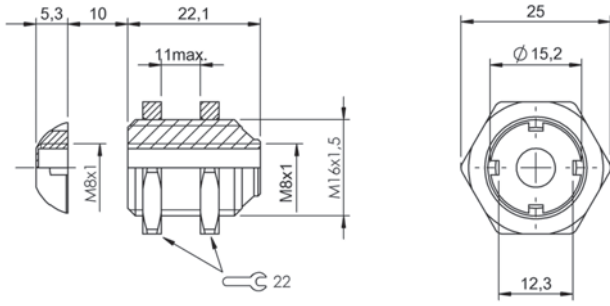
Safety

Industrial Networking

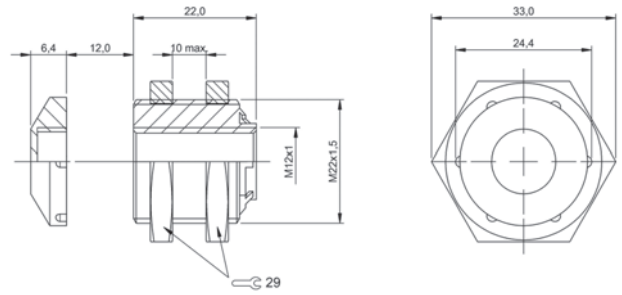
Power Supply

Connectivity

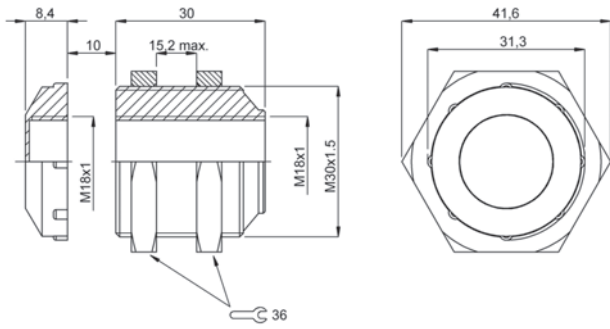
Accessories



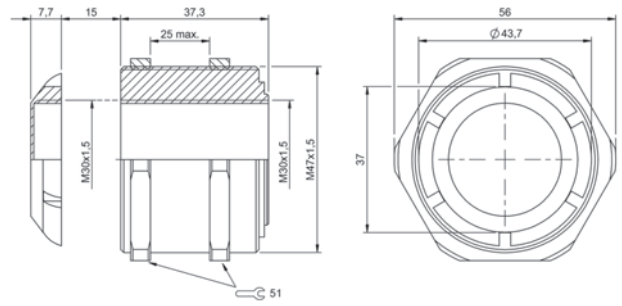
BAM015U



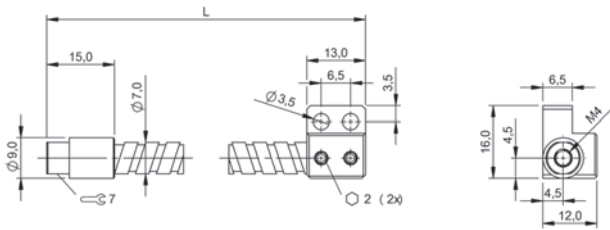
BAM015W



BAM015Y



BAM015Z



BAM00NU



Versatile and flexible mounting solutions

FASTENING TECHNOLOGY



With our assembly systems and brackets, you can adapt the sensors and equipment to your particular task.

Simple to install and adjust, these provide – in addition to attachment – exact positioning, even under difficult conditions. Balluff mounting solutions are distinguished by high-quality materials and exact processing.

The most important benefits

- Flexible and versatile
- Compatible and universal
- Excellent price/performance ratio



	SET011L BAV BP-PH-00064-01	SET011M BAV BP-PH-00065-01	BAM033K BMS AD-M-004-X19/MIS-D	
Principle of operation	Mounting system	Mounting system	Mounting system	
Use	For mounting system BMS	For mounting system BMS	For monitor holder BMS, for quick-change plate BVS	
Material	Aluminum Plastic	Aluminum anodized Die-cast zinc	Naturally anodized aluminum	
Dimension	150 x 150 mm	150 x 150 mm	6 x 116 x 116 mm	
Mounting	Screws, terminals	Screws, terminals	Screws	
Additional features	—	—	—	
Productview	Page 408	Page 408	Page 408	



	BAM002J BMS CU-P-D12-A040-00	BAM034K BMS CUJ-M-D30-E057-00	BAM034L BMS CUJ-M-D30-E060-01	
Principle of operation	Mounting system	Mounting system	Mounting system	
Use	For holding rods with Ø12 mm, for holding rods with 10x10 mm	For mounting system BMS, for monitor holder BMS	For mounting system BMS, for monitor holder BMS	
Material	POM	Aluminum	Aluminum	
Dimension	56 x 30 x 40 mm	75 x 75 x 108 mm	40 x 74 x 108 mm	
Mounting	Screws, terminals	Screws, Clamps	Screws, Clamps	
Additional features	—	—	—	
Productview	Page 409	Page 409	Page 409	



	BAM024R BMS CCJ-M-D12-B-01	BAM024P BMS CU-M-D12-B028-00	BAM0275 BMS CU-M-D12-B040-00	BAM02JT BMS CU-M-D12-B040-02	BAM033U BMS CU-M-D30-E040-00
	Mounting system	Mounting system	Mounting system	Mounting system	Mounting system
	For mounting system BMS, for holding rods with Ø12 mm	For mounting system BMS, for holding rods with Ø12 mm	For mounting system BMS, for holding rods with Ø12 mm	For mounting system BMS, for holding rods with Ø12 mm	For holding rods with Ø30 mm, for mounting system BMS
	Chrome plated zinc, matte	Chrome plated zinc, matte	Chrome plated zinc, matte	Chrome plated zinc, matte	Cast aluminum
	45.5 x 36 x 30 mm	64 x 30 x 36 mm	60 x 30 x 36 mm	60 x 30 x 42.8 mm	60 x 50 x 60 mm
	Screws, terminals	Screws, terminals	Screws, terminals	Screws, terminals	Screws, terminals
	—	—	—	—	—
	Page 408	Page 408	Page 408	Page 408	Page 408



	BAM002Y BMS CUJ-P-D12-R040-00	BAM0044 BMS CU-M-D12-I060-01	BAM01CH BMS CU-M-D12-I060-02	BAM032T BAM IA-XA-031-200-R	BAM0031 BMS CS-M-D12-IZ
	Mounting system	Mounting system	Mounting system	Cable ties	Mounting system
	For mounting system BMS, for holding rods with Ø12 mm	For mounting system BMS	For mounting system BMS	For cable fastener	For mounting system BMS, for holding rods with Ø12 mm
	PA	Stainless steel (1.4301)	Stainless steel (1.4301)	PP	Zinc
	50 x 65 x 35 mm	76.4 x 10 x 30 mm	76.4 x 10 x 30 mm	21 x 1.5 x 200 mm	Ø 27 x 37 mm
	Screws, terminals	Screws, terminals	Screws, terminals	—	Screws, terminals
	—	—	—	—	—
	Page 409	Page 409	Page 409	Page 409	Page 409



	BAM003Y BMS CS-M-D12-IZ-01	BAM035N BMS CS-M-D12-IZ-02	BAM01Z7 BMS CS-M-D14-IZ	
Principle of operation	Mounting system	Mounting system	Mounting system	
Use	For mounting system BMS, for holding rods with Ø12 mm	For mounting system BMS, for holding rods with Ø12 mm	For mounting system BMS, for holding rods with Ø14 mm	
Material	Stainless steel (1.4301)	Die-cast zinc chrome plated, matte	Zinc	
Dimension	Ø 27 x 37 mm	Ø 27 x 39.1 mm	Ø 27 x 37 mm	
Mounting	Screws, terminals	Clamps	Screws, terminals	
Additional features	—	—	—	
Productview	Page 409	Page 410	Page 410	



	BAM033Y BMS CC-M-D30-E-01	BAM003U BMS CC-P-D10-A-00	BAM002M BMS CC-P-D12-A-00	
Principle of operation	Mounting system	Mounting system	Mounting system	
Use	For holding rods with Ø30 mm, for holding rods with Ø12 mm, for mounting system BMS	For holding rods with Ø10 mm, for holding rods with 8x8 mm, for mounting system BMS	For holding rods with Ø12 mm, for holding rods with 10x10 mm, for mounting system BMS	
Material	Cast aluminum	POM	POM	
Dimension	40 x 84 mm	55 x 22 x 22 mm	55 x 22 x 22 mm	
Mounting	Screws, terminals	Screws, terminals	Screws, terminals	
Additional features	—	—	—	
Productview	Page 410	Page 410	Page 411	



	BAM01Z8 BMS CS-M-D14-IZ-01	BAM035A BMS CS-M-D30-BZ-03	BAM002Z BMS CC-M-D12-B-00	BAM035P BMS CC-M-D12-B-03	BAM033W BMS CC-M-D30-E-00
	Mounting system	Mounting system	Mounting system	Mounting system	Mounting system
	For mounting system BMS, for holding rods with Ø14 mm	For mounting system BMS, for holding rods with Ø30 mm	For mounting system BMS, for holding rods with Ø12 mm	For mounting system BMS, for holding rods with Ø12 mm	For holding rods with Ø30 mm, for mounting system BMS
	Stainless steel (1.4301)	Cast aluminum	Aluminum anodized	Die-cast zinc chrome plated, matte	Cast aluminum
	Ø 27 x 37 mm	Ø 30 x 59 mm	55 x 20 x 20 mm	55 x 20 x 20 mm	40 x 98 mm
	Screws, terminals	Screws, terminals	Screws, terminals	Clamps	Screws, terminals
	—	—	—	—	—
	Page 410	Page 410	Page 410	Page 410	Page 410



	BAM01CW BMS CS-M-D12-BX08-07	BAM0343 BMS CSJ-M-D30-EX19-02	BAM003T BMS CASE-01	BAM003W BMS KIT-V1	BAM021Y BMS RS-M-D12-0100-00
	Mounting system	Mounting system	Mounting kit empty	Mounting kit equipped	Mounting system
	For holding rods with Ø12 mm, for slot sensor BGL, for photoelectric sensors BOS 2K, for photoelectric sensors BOS 6K	For mounting system BMS, for connection plate VESA 75/100	For mounting system BMS	For mounting system BMS	For mounting system BMS
	Aluminum anodized	PA 6.6 GF30	Aluminum	Aluminum Die-cast zinc Stainless steel Plastic	Aluminum anodized
	37 x 20 x 30 mm	Ø 60 x 190.5 mm	390 x 135 x 510 mm	390 x 135 x 510 mm	Ø 12 x 100 mm
	Screws, terminals	Screws, terminals	—	—	Clamps
	—	max. load capacity 10 Kg (static), Latches in 15° increments, 60° free swivel range	—	—	—
	Page 411	Page 411			Page 411



	BAM002R BMS RS-M-D12-0150-00	BAM021T BMS RS-M-D12-0200-00	BAM002T BMS RS-M-D12-0250-00	
Principle of operation	Mounting system	Mounting system	Mounting system	
Use	For mounting system BMS	For mounting system BMS	For mounting system BMS	
Material	Aluminum anodized	Aluminum anodized	Aluminum anodized	
Dimension	Ø 12 x 150 mm	Ø 12 x 200 mm	Ø 12 x 250 mm	
Mounting	Clamps	Clamps	Clamps	
Additional features	—	—	—	
Productview	Page 411	Page 411	Page 411	



	BAM0341 BMS RS-M-D30-1000-01	BAM0045 BMS RS-S-D12-0150-00	BAM0046 BMS RS-S-D12-0300-00	
Principle of operation	Mounting system	Mounting system	Mounting system	
Use	For mounting system BMS	For mounting system BMS	For mounting system BMS	
Material	Aluminum anodized	Stainless steel (1.4571)	Stainless steel (1.4571)	
Dimension	Ø 30 x 1000 mm	Ø 12 x 150 mm	Ø 12 x 300 mm	
Mounting	Clamps	Clamps	Clamps	
Additional features	—	—	—	
Productview	Page 411	Page 412	Page 412	



	BAM021W BMS RS-M-D12-0300-00	BAM021U BMS RS-M-D12-0750-00	BAM002U BMS RS-M-D12-1000-00	BAM033Z BMS RS-M-D30-0300-01	BAM0340 BMS RS-M-D30-0500-01
Mounting system	Mounting system	Mounting system	Mounting system	Mounting system	Mounting system
For mounting system BMS	For mounting system BMS	For mounting system BMS	For mounting system BMS	For mounting system BMS	For mounting system BMS
Aluminum anodized	Aluminum anodized	Aluminum anodized	Aluminum anodized	Aluminum anodized	Aluminum anodized
Ø 12 x 300 mm	Ø 12 x 750 mm	Ø 12 x 1000 mm	Ø 30 x 300 mm	Ø 30 x 500 mm	
Clamps	Clamps	Clamps	Clamps	Clamps	
—	—	—	—	—	
Page 411	Page 411	Page 411	Page 411	Page 411	



	BAM003J BMS AD-M-003-D12/I/Z	BAM0041 BMS CZ-M-D12-I-001	BAM003A BMS BS-M-D12-0250-01	BAM033T BMS BS-M-D12-0250-05	BAM0035 BMS CR-M-D12-IS-03
Mounting system	Mounting system	Beam deflector	Mounting system	Mounting system	Mounting system
For mounting system BMS	For mounting system BMS	For cleaning of sensors and reflectors	For BOS R-14 reflectors, for reflectors BOS R-1/R-9, for reflectors BOS R-22/R-26	For reflectors -025-S023..., for reflectors -026-S012..., for reflectors -027-S004..., for photoelectric sensors BOS 6K	For BOS R-11 reflectors
Aluminum anodized	Aluminum anodized	Aluminum anodized	Aluminum anodized	Aluminum anodized	Stainless steel
Ø 30 x 10 mm	190 x 30 mm	Ø 12 x 250 mm	Ø 12 x 250 mm	93 x 34.5 x 85 mm	
Clamps	Clamps	Clamps	Screws, terminals	Clamps	
—	—	—	—	—	
Page 412	Page 412	Page 412	Page 412	Page 412	



	BAM0042 BMS CR-M-D12-IS-04	BAM0034 BMS CR-M-D12-IU-02	BAM003N BMS CR-M-D12-IU-05	
Principle of operation	Mounting system	Mounting system	Mounting system	
Use	For photoelectric sensors BOS 21M, for BOS R-9 reflectors	For BOS R-1 reflectors, for BOS R-2 reflectors, for BOS R-3 reflectors	For BOS R-1 reflectors	
Material	Stainless steel	Stainless steel	Stainless steel	
Dimension	61.5 x 34 x 59 mm	Ø 33 x 39 mm	Ø 84 x 92.5 mm	
Mounting	Clamps	Clamps	Clamps	
Additional features	—	—	—	
Productview	Page 412	Page 412	Page 413	



	BAM002L BMS CR-P-D12-AU-00	BAM0278 BAM MB-XA-019-B11-4	BAM0039 BMS BS-M-D12-0250-02	BAM003F BMS BS-M-D12-0250-03	BAM003H BMS BS-M-D12-0400-04
	Mounting system	Mounting system	Mounting system	Mounting system	Mounting system
	For holding rods with Ø12 mm, for holding rods with 10x10 mm, for all reflectors with Ø20mm	For line light BAE	For photoelectric sensors BOS Q08M, for inductive sensors BES, for photoelectric sensors BOS 2K, for photoelectric sensors BOS 5K, for photoelectric sensors BOS 6K	For photoelectric Fork sensors BGL 5A, for photoelectric Fork sensors BGL 10A, for photoelectric Fork sensors BGL 20A, for photoelectric Fork sensors BGL 30A, for photoelectric Fork sensors BGL 50A	For photoelectric Fork sensors BGL 80A/120A, for photoelectric Fork sensors BGL 180A/220A
	POM	Stainless steel	Aluminum anodized	Aluminum anodized	Aluminum anodized
	60 x 30 x 30 mm	176 x 3 x 15 mm	Ø 12 x 250 mm	Ø 12 x 250 mm	Ø 12 x 400 mm
	Screws	Screws	Clamps	Screws, terminals	Clamps
	—	—	—	—	—
	Page 413	Page 413	Page 413	Page 413	Page 413



	BAM0043 BMS CS-M-D12-B21K-04	BAM01AW BMS CS-M-D12-B23K-05	BAM003C BMS CS-M-D12-BX05-02	
Principle of operation	Mounting system	Mounting system	Mounting system	
Use	For photoelectric sensors BOS 21M	For photoelectric sensors BOS 23K, for photoelectric sensors BOS 26K	For photoelectric sensors BOS 21M, for photoelectric sensors BOS 23K, for photoelectric sensors BOS 25K, for photoelectric sensors BOS 26K, for photoelectric sensors BOS 50K, for photoelectric sensors BOS 64K, for photoelectric sensors BOD 63M, for photoelectric sensors BOD 66M, for BOS R-9 reflectors, for BOS R-22 reflectors, for BOS R-34 reflectors, for BOS R-36 reflectors, for BOS R-44 reflectors, for BOS R-46 reflectors	
Material	Zinc nickel plated	Stainless steel	Aluminum anodized	
Dimension	88 x 20 x 56 mm	93 x 30 x 55 mm	120 x 5 x 60 mm	
Mounting	Clamps	Clamps	Screws, terminals	
Additional features	—	—	—	
Productview	Page 413	Page 413	Page 414	



	BAM0040 BMS CS-M-D12-BX06-03	BAM01AY BMS CS-M-D12-BX07-06	BAM01F3 BMS CS-M-D12-BX10-08	BAM01F2 BMS CS-M-D12-BX11-09	BAM0277 BMS CS-M-D12-BX17-11
	Mounting system	Mounting system	Mounting system	Mounting system	Mounting system
	For photoelectric sensors BOS 2K, for photoelectric sensors BOS 5K, for photoelectric sensors BOS 6K	Mounting bracket For BIS M-400x, for photoelectric sensors BOS 50K, for BOS R-11 reflectors	For angle sensors BWL, for slot sensor BGL	For line light BVS, for background lights BVS, for angle sensors BWL D	For line light BVS
	Stainless steel	Stainless steel (1.4571)	Stainless steel	Stainless steel	Stainless steel
	79 x 23 x 28 mm	93 x 34.5 x 85 mm	61 x 34 x 36 mm	185 x 21 x 34 mm	75 x 3 x 44 mm
	Screws, terminals	Screws, terminals	Screws, terminals	Screws, terminals	Screws
	—	—	—	—	—
	Page 414	Page 414	Page 414	Page 414	Page 414



	BAM024T BMS CS-M-D12-BZ	BAM0036 BMS CS-M-D12-ID08-01	BAM0037 BMS CS-M-D12-ID12-01	
Principle of operation	Mounting system	Mounting system	Mounting system	
Use	For mounting system BMS, for holding rods with Ø12 mm	For M08 sensors	For M12 sensors	
Material	Chrome plated zinc, matte	Stainless steel	Stainless steel	
Dimension	45.5 x 24 x 30 mm	Ø 28 x 34 mm	Ø 28 x 34 mm	
Mounting	Screws, terminals	Clamps	Clamps	
Additional features	—	—	—	
Productview	Page 414	Page 414	Page 415	



	BAM003P BMS CS-M-D12-IQ40-02	BAM003R BMS CS-M-D12-IQ40-03	BAM01J2 BMS CS-M-D12-IX09-01	
Principle of operation	Mounting system	Mounting system	Mounting system	
Use	For capacitive sensors BCS Q40, for inductive sensors BES Q40, for inductive couplers BIC Q40	For capacitive sensors BCS Q40, for inductive sensors BES Q40, for inductive couplers BIC Q40	For M36 sensors	
Material	Stainless steel	Stainless steel	Stainless steel	
Dimension	102 x 40 x 60 mm	121 x 3 x 60 mm	Ø 48 x 54 mm	
Mounting	Screws, terminals	Screws, terminals	Clamps	
Additional features	—	—	—	
Productview	Page 415	Page 415	Page 416	

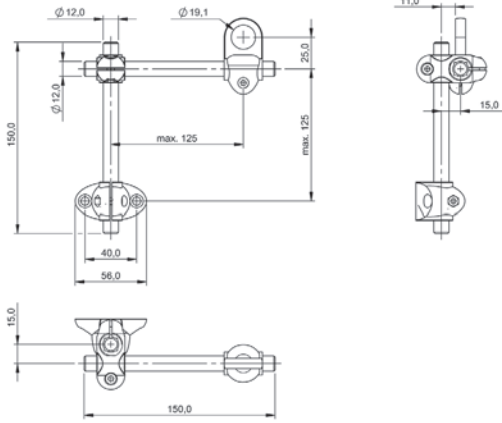


	BAM003K BMS CS-M-D12-ID16-01	BAM0032 BMS CS-M-D12-ID18-01	BAM003L BMS CS-M-D12-ID24-01	BAM0033 BMS CS-M-D12-ID30-01	BAM003M BMS CS-M-D12-ID36-01
	Mounting system	Mounting system	Mounting system	Mounting system	Mounting system
	For M16 sensors	For M18 sensors	For M24 sensors	For M30 sensors	For M36 sensors
	Stainless steel	Stainless steel	Stainless steel	Stainless steel	Stainless steel
	Ø 33 x 36.5 mm	Ø 28 x 34 mm	Ø 35 x 41.5 mm	Ø 42 x 47 mm	Ø 48 x 54 mm
	Clamps	Clamps	Clamps	Clamps	Clamps
	—	—	—	—	—
	Page 415	Page 415	Page 415	Page 415	Page 415

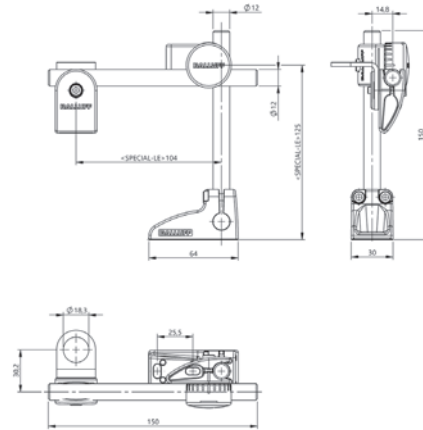


	BAM01UL BMS CS-M-D12-IX14-01	BAM002K BMS CS-P-D12-AD08-00	BAM002N BMS CS-P-D12-AD12-00	BAM002P BMS CS-P-D12-AD18-00	
	Mounting system	Mounting system	Mounting system	Mounting system	
	For capacitive sensors BCS Q40, for inductive sensors BES Q40	For sensors Ø8 mm, for M08 sensors, for holding rods with Ø12 mm, for holding rods with 10x10 mm	For sensors Ø12 mm, for M12 sensors, for holding rods with Ø12 mm, for holding rods with 10x10 mm	For sensors Ø18 mm, for M18 sensors, for holding rods with Ø12 mm, for holding rods with 10x10 mm	
	Stainless steel	POM	POM	POM	
	39 x 16 x 34 mm	60 x 30 x 30 mm	60 x 30 x 30 mm	60 x 30 x 30 mm	
	Clamps	Clamps	Clamps	Clamps	
	—	—	—	—	
	Page 416	Page 416	Page 416	Page 416	

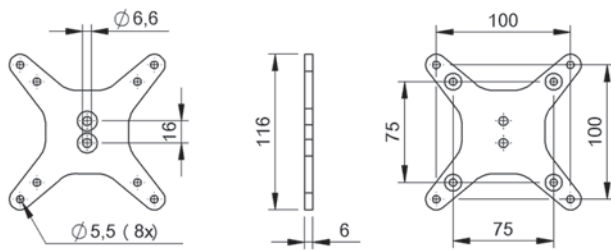
408 | Accessories | Fastening Technology



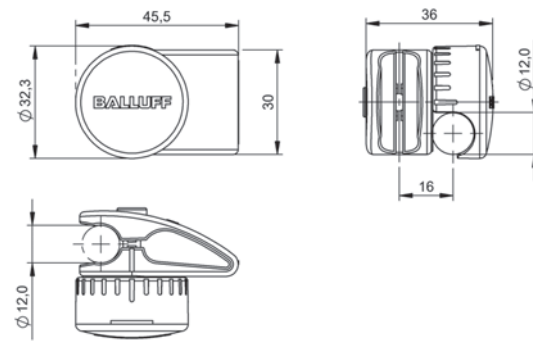
SET011L



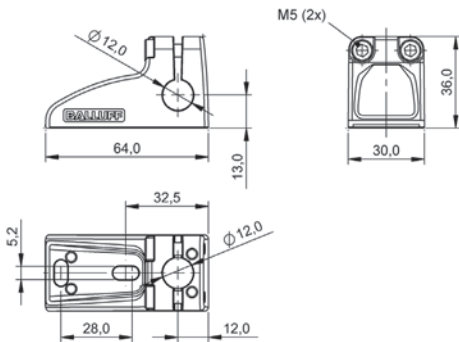
SET011M



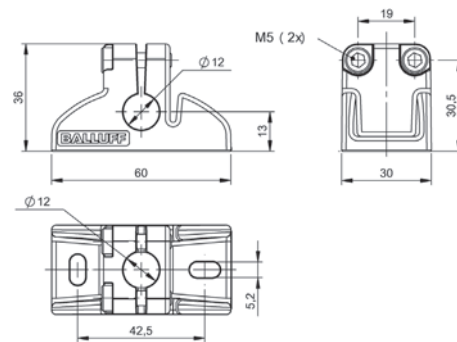
BAM033K



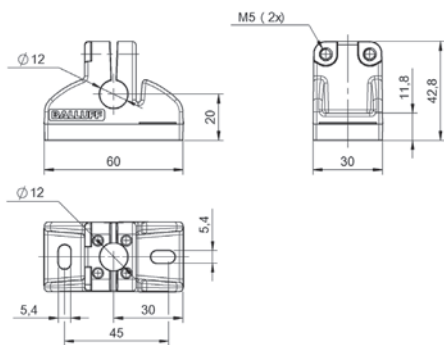
BAM024R



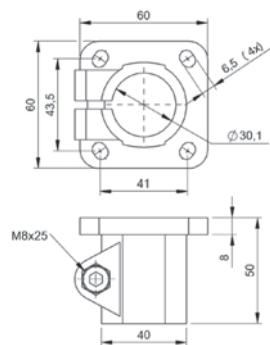
BAM024P



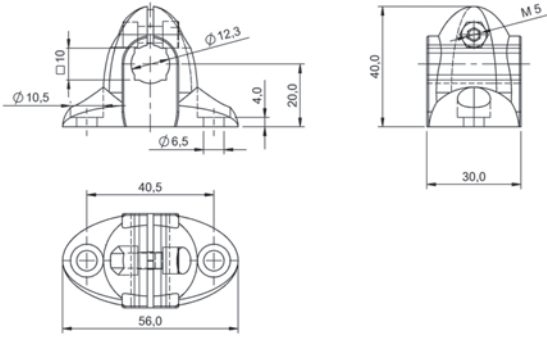
BAM0275



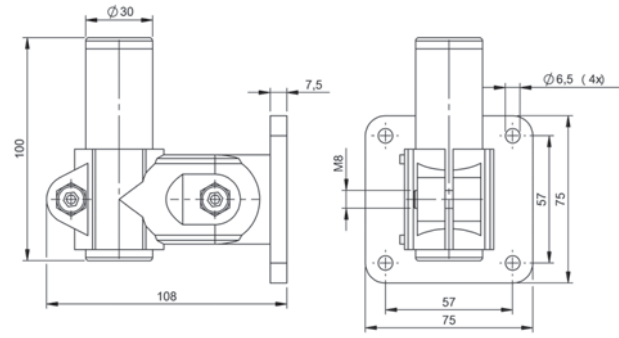
BAM02JT



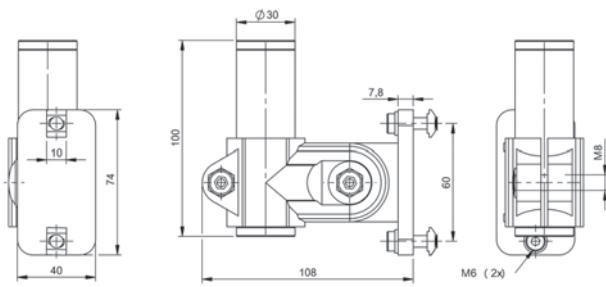
BAM033U



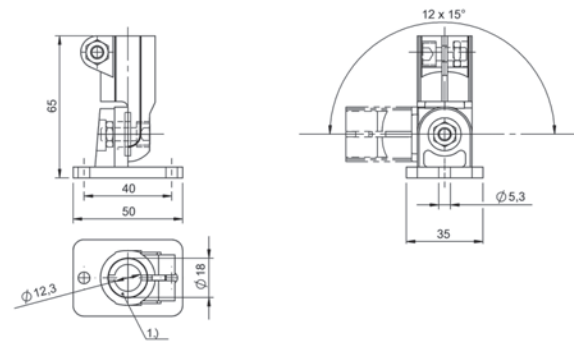
BAM002J



BAM034K

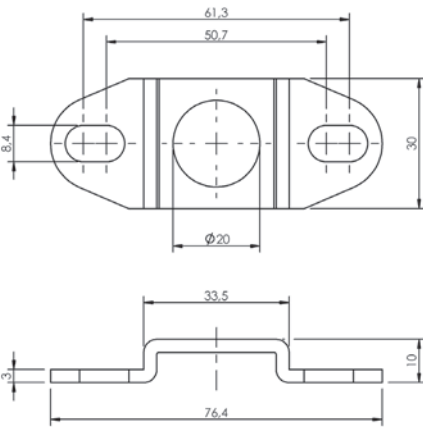


BAM034L

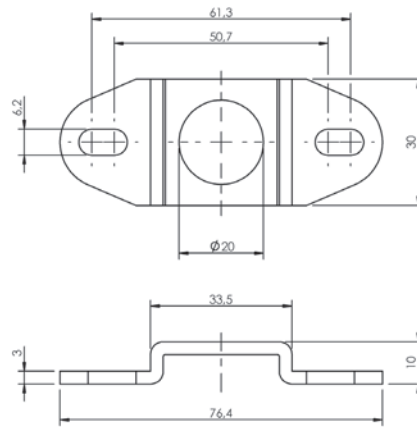


1) Reduzierhülse

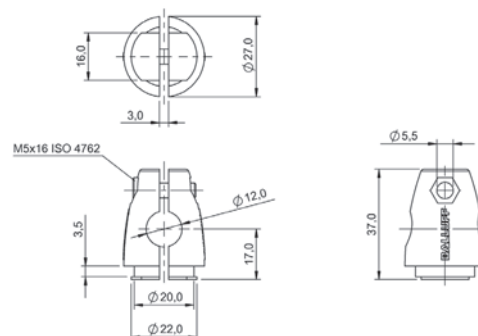
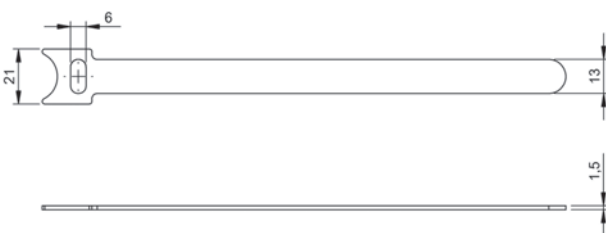
BAM002Y



BAM0044

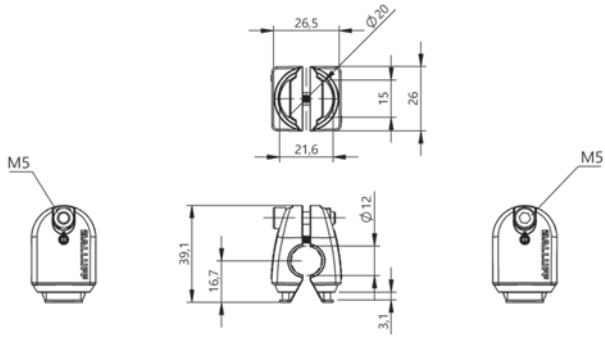


BAM01CH

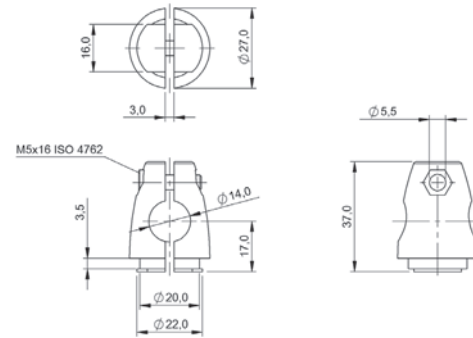
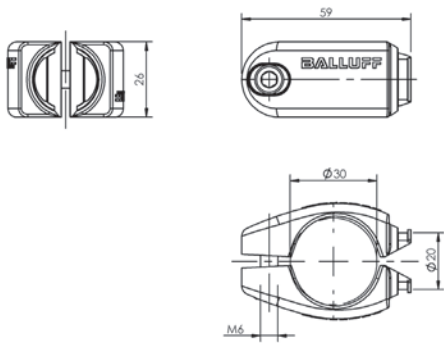


BAM032T

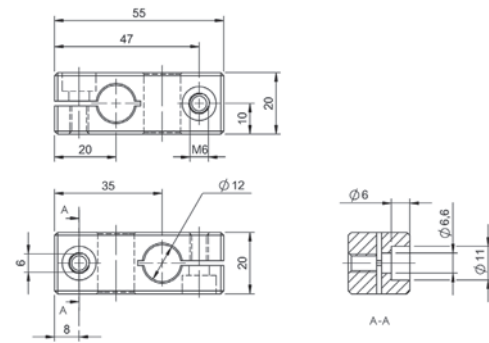
BAM0031, BAM003Y



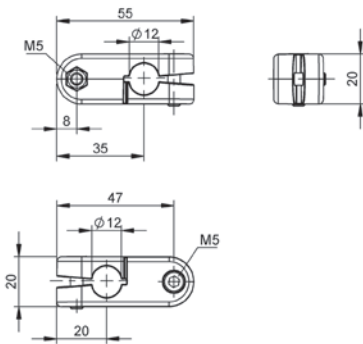
BAM035N



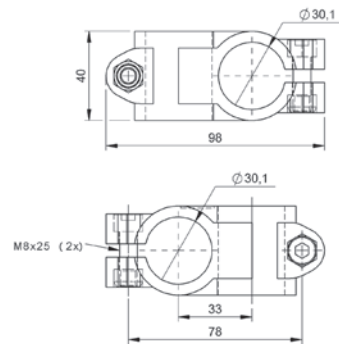
BAM01Z7, BAM01Z8



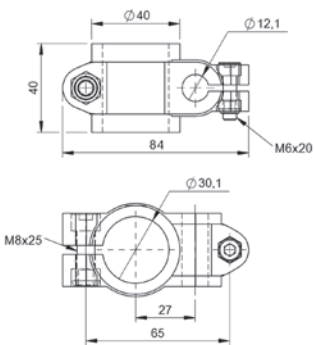
BAM035A



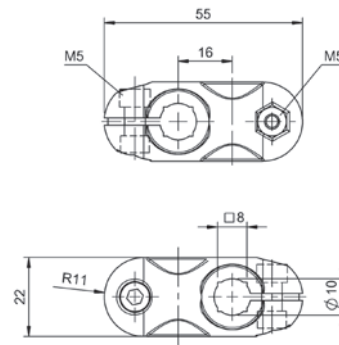
BAM002Z



BAM035P

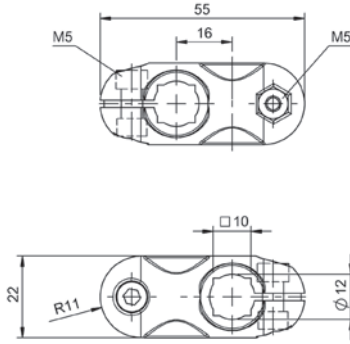


BAM033W

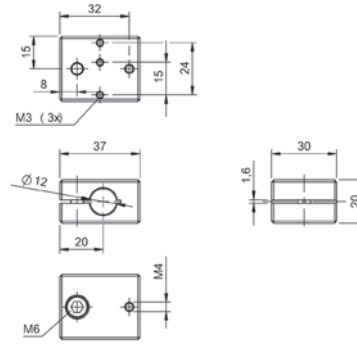


BAM033Y

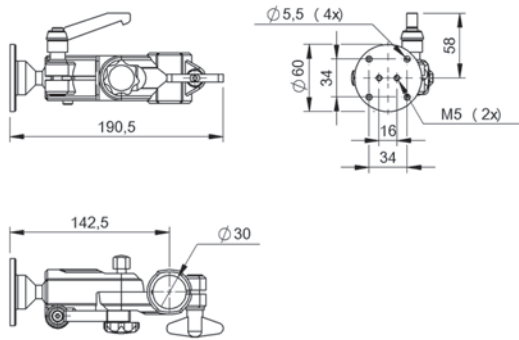
BAM003U



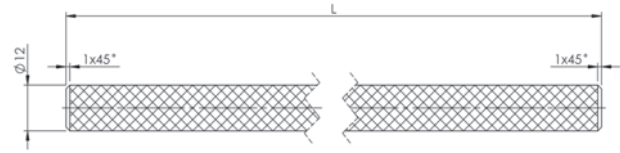
BAM002M



BAM01CW



BAM0343



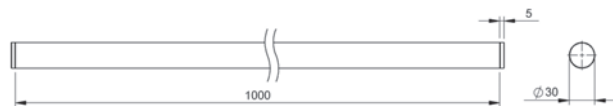
BAM021Y, BAM002R, BAM021T, BAM002T, BAM021W, BAM021U, BAM002U



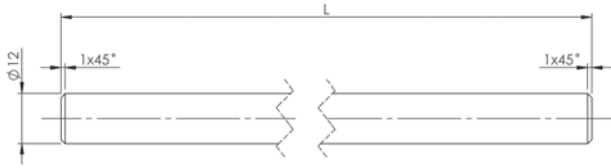
BAM033Z



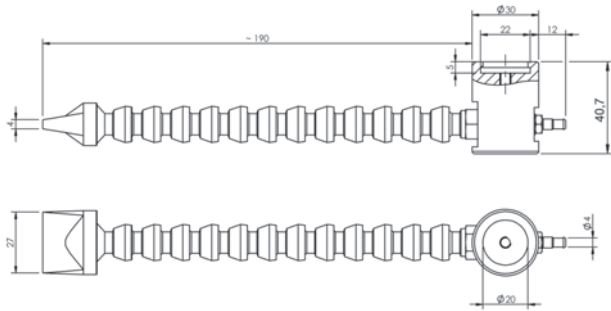
BAM0340



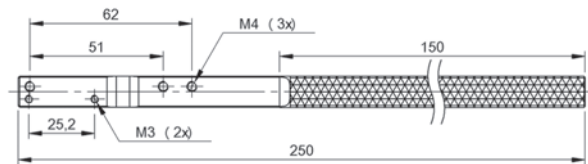
BAM0341



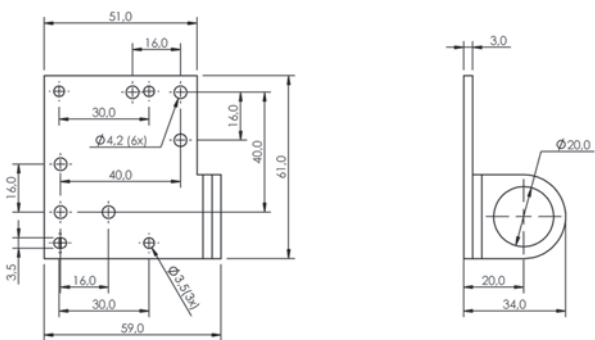
BAM0045, BAM0046



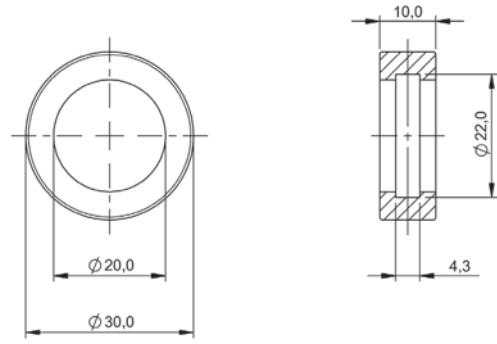
BAM0041



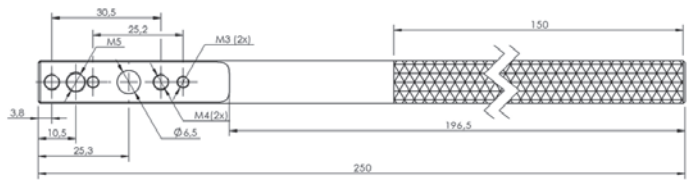
BAM0033T



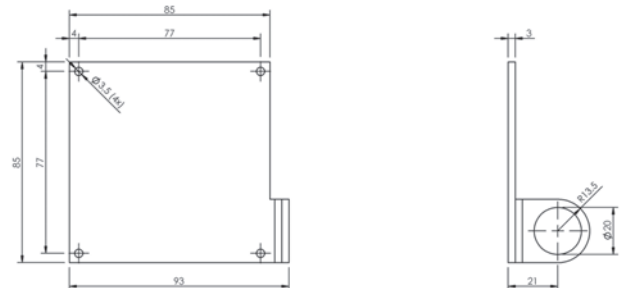
BAM0042



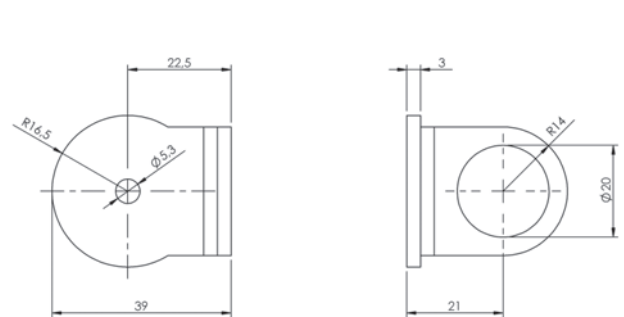
BAM003J



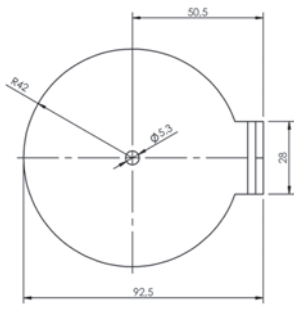
BAM003A



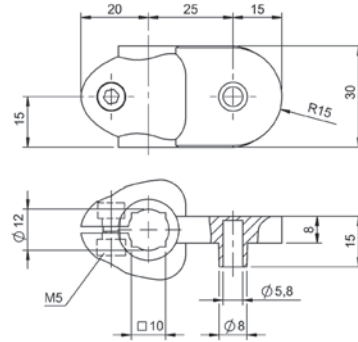
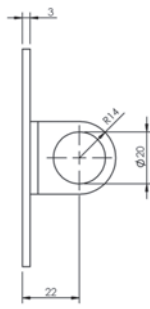
BAM0035



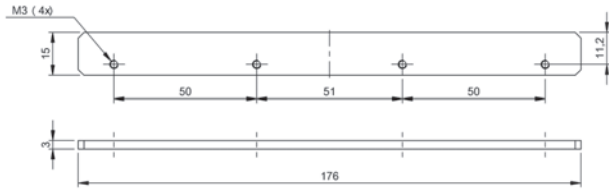
BAM0034



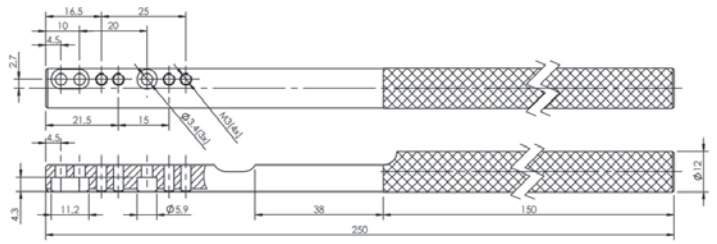
BAM003N



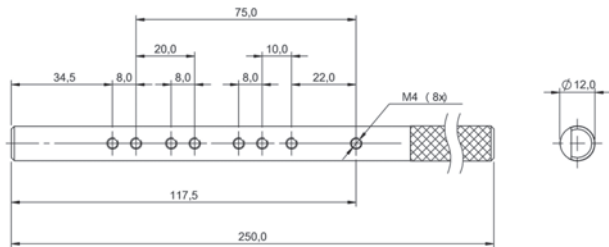
BAM002L



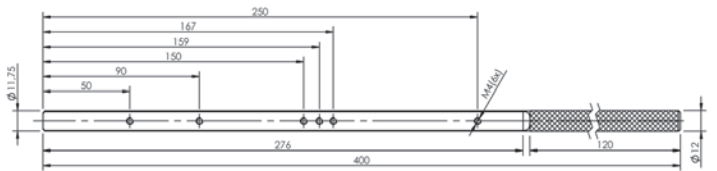
BAM0278



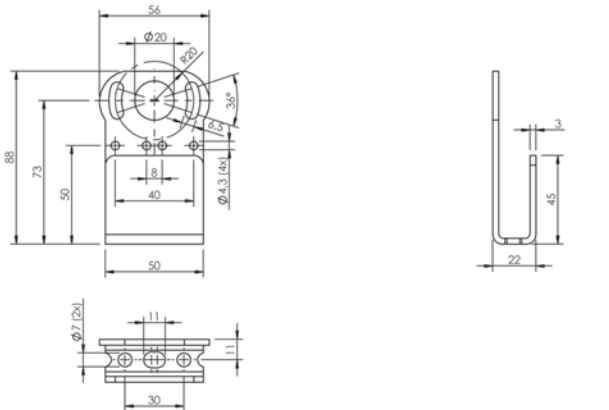
BAM0039



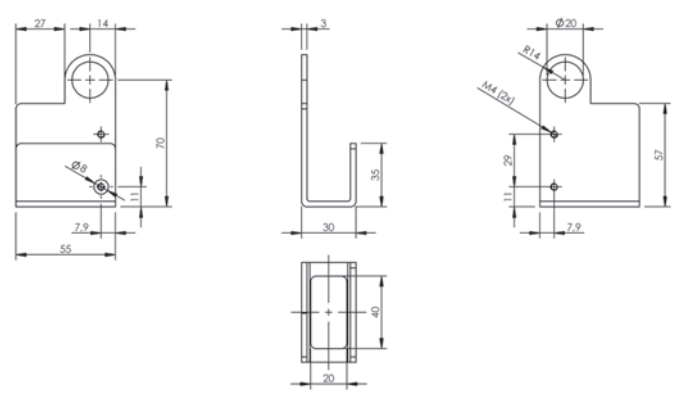
BAM003F



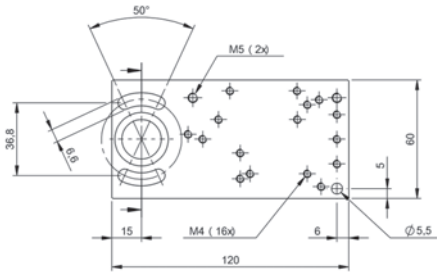
BAM003H



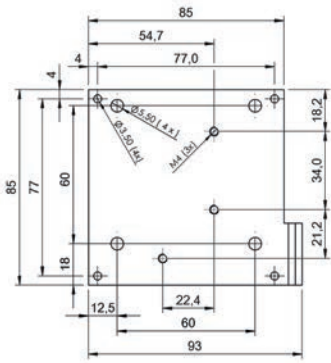
BAM0043



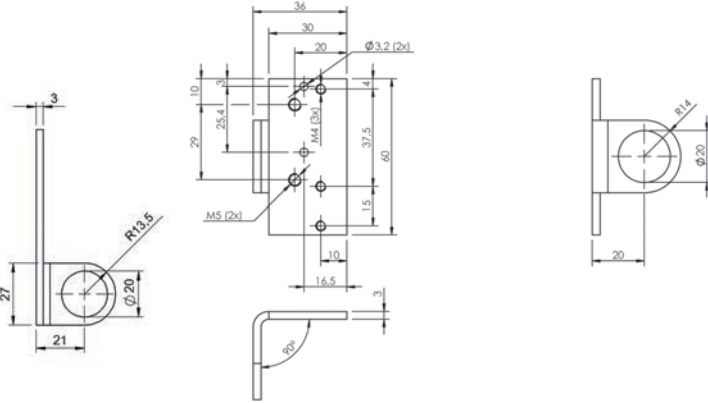
BAM01AW



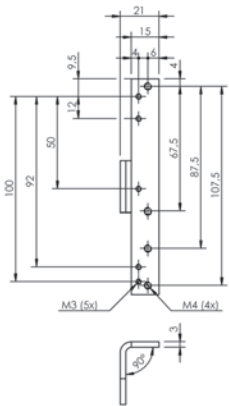
BAM003C



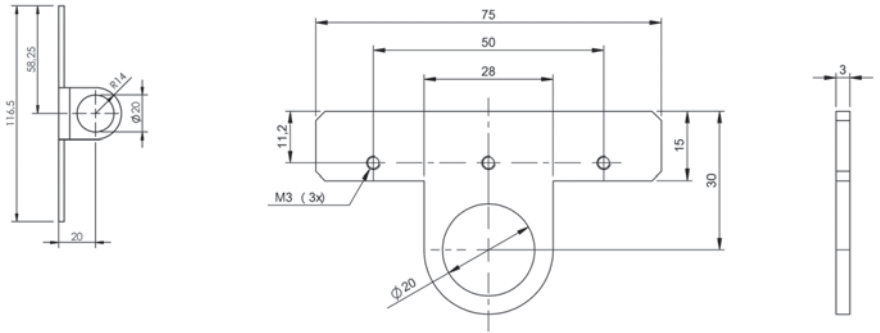
BAM0040



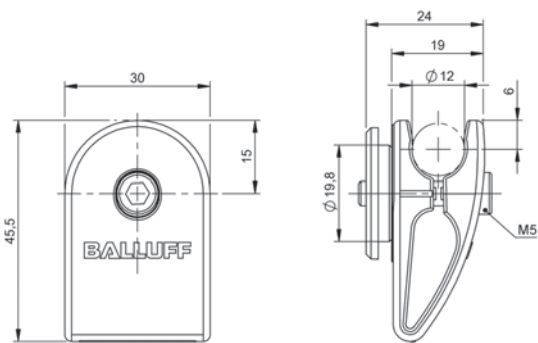
BAM01AY



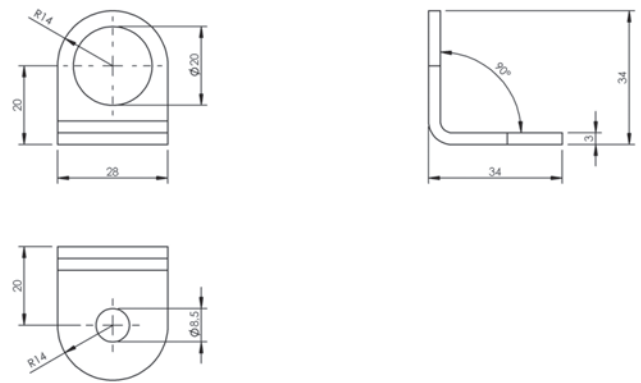
BAM01F3



BAM01F2

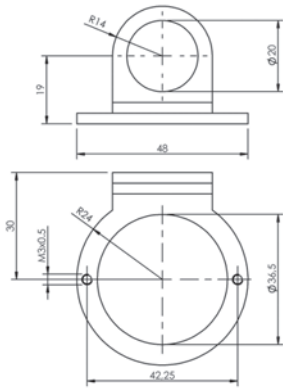


BAM0277

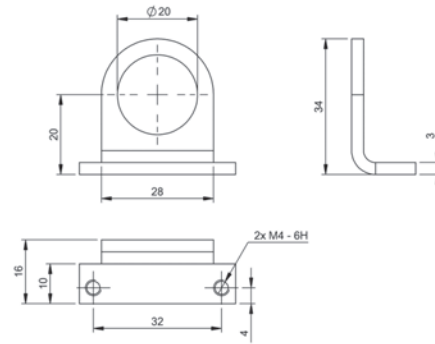
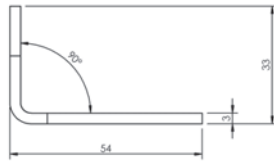


BAM024T

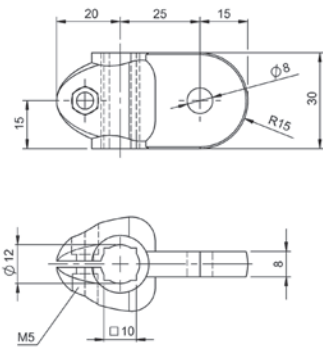
BAM0036



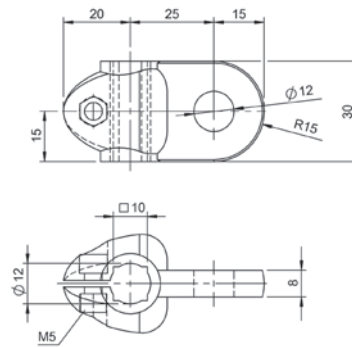
BAM01J2



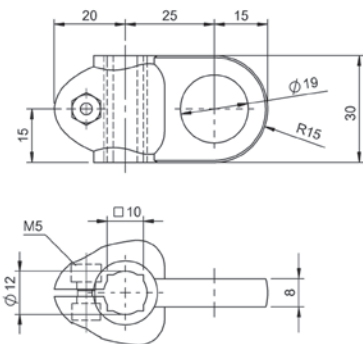
BAM01UL



BAM002K



BAM002N



BAM002P



	BAM0099 BES 05,0-KH-2S	BAM0313 BAM MC-XA-023-D08,0-2-FS	BAM0318 BAM MC-XA-023-D08,0-2-FXL/W	
Use	For sensors Ø5 mm, for M05 sensors, fastening length 30mm and longer	For M08 sensors, for sensors Ø8 mm, fastening length 32mm and longer	For M08 sensors, for sensors Ø8 mm, fastening length 50mm and longer	
Material	Stainless steel (1.4104)	Brass nickel plated	Brass, PTFE coated	
Dimension	Ø 13 x 24 mm	Ø 19.5 x 28 mm	Ø 19.5 x 48 mm	
Mounting	Screws, terminals	Screws, terminals	Screws, terminals	
Additional features	—	—	Weld immune	
Productview	Page 424	Page 424	Page 424	



	BAM00AR BES 08,0-KH-6S	BAM01UT BAM MC-XA-020-D12,0-2-FS/W	BAM0247 BAM MC-XA-023-D12,0-2-FM/W	
Use	For sensors Ø8 mm, for M08 sensors, fastening length 32mm and longer	For sensors Ø12 mm, for M12 sensors, fastening length 32mm and longer	For sensors Ø12 mm, for M12 sensors, fastening length 36mm and longer	
Material	Stainless steel (1.4305)	Brass, PTFE coated	Brass, PTFE coated	
Dimension	Ø 17 x 32 mm	Ø 22 x 34 mm	Ø 23 x 34 mm	
Mounting	Screws, terminals	Screws, terminals	Screws, terminals	
Additional features	—	Weld immune	Weld immune	
Productview	Page 424	Page 424	Page 425	



	BAM00E0 BES 12,0-KH-2S	BAM00E1 BES 12,0-KH-2S/W	BAM00E2 BES 12,0-KH-3L	
Use	For sensors Ø12 mm, for M12 sensors, fastening length 36mm and longer	For sensors Ø12 mm, for M12 sensors	For M12 sensors, fastening length 46mm and longer	
Material	Brass nickel plated	Brass, PTFE coated	PBT	
Dimension	Ø 22 x 34 mm	Ø 22 x 34 mm	Ø 22 x 44.5 mm	
Mounting	Screws, terminals	Screws, terminals	Screws, terminals	
Additional features	—	Weld immune	—	
Productview	Page 425	Page 425	Page 425	



	BAM00FR BES 18,0-KH-2M	BAM00FT BES 18,0-KH-2S	BAM00FW BES 18,0-KH-2S/W	
Use	For sensors Ø18 mm, for M18 sensors, fastening length 50mm and longer	For sensors Ø18 mm, for M18 sensors, fastening length 36mm and longer	For sensors Ø18 mm, for M18 sensors, fastening length 40mm and longer	
Material	Brass nickel plated	Brass nickel plated	Brass, PTFE coated	
Dimension	Ø 30 x 48.5 mm	Ø 30 x 36 mm	Ø 30 x 36 mm	
Mounting	Screws, terminals	Screws, terminals	Screws, terminals	
Additional features	—	—	Weld immune	
Productview	Page 426	Page 426	Page 426	



	BAM022L BAM MC-XA-023-D18,0-2-FL	BAM022K BAM MC-XA-023-D18,0-2-FS	BAM022M BAM MC-XA-024-D18,0-2-FM/W	BAM00FN BES 18,0-KH-2L	BAM00FP BES 18,0-KH-2L/W
	For sensors Ø18 mm, for M18 sensors, fastening length 50mm and longer	For sensors Ø18 mm, for M18 sensors, fastening length 40mm and longer	For sensors Ø18 mm, for M18 sensors, fastening length 50mm and longer	For sensors Ø18 mm, for M18 sensors, fastening length 50mm and longer	For sensors Ø18 mm, for M18 sensors, fastening length 60mm and longer
	Brass nickel plated	Brass nickel plated	Brass coated, PTFE LCP	Brass nickel plated	Brass, PTFE coated
	Ø 32 x 48.5 mm	Ø 32 x 36 mm	Ø 32 x 46 mm	Ø 30 x 58 mm	Ø 30 x 58 mm
	Screws, terminals	Screws, terminals	Screws, terminals	Screws, terminals	Screws, terminals
	—	—	Weld immune	—	Weld immune
	Page 425	Page 426	Page 426	Page 426	Page 426



	BAM00FY BES 18,0-KH-3L	BAM0264 BAM MC-XA-023-D30,0-2-FS	BAM0265 BAM MC-XA-023-D30,0-2-FXL	BAM024C BAM MC-XA-023-D30,0-2-FXL/W	BAM024H BAM MC-XA-024-D30,0-2-FM/W
	For M18 sensors, fastening length 60mm and longer	For sensors Ø30 mm, for M30 sensors, fastening length 40mm and longer	For sensors Ø30 mm, for M30 sensors, fastening length 60mm and longer	For sensors Ø30 mm, for M30 sensors, fastening length 60mm and longer	For sensors Ø30 mm, for M30 sensors, fastening length 50mm and longer
	PBT	Brass nickel plated	Brass nickel plated	Brass, PTFE coated	Brass, PTFE coated
	Ø 30 x 59.5 mm	Ø 45 x 36 mm	Ø 45 x 58 mm	Ø 45 x 58 mm	Ø 45 x 48 mm
	Screws, terminals	Screws, terminals	Screws, terminals	Screws, terminals	Screws, terminals
	—	—	—	Weld immune	Weld immune
	Page 426	Page 426	Page 426	Page 426	Page 427



	BAM00J4 BES 30,0-KH-2L	BAM00J5 BES 30,0-KH-2L/W	BAM00J6 BES 30,0-KH-2S	
Use	For sensors Ø30 mm, for M30 sensors, fastening length 60mm and longer	For sensors Ø30 mm, for M30 sensors, fastening length 60mm and longer	For sensors Ø30 mm, for M30 sensors, fastening length 36mm and longer	
Material	Brass nickel plated	Brass, PTFE coated	Brass nickel plated	
Dimension	Ø 41 x 58 mm	Ø 41 x 58 mm	Ø 41 x 36 mm	
Mounting	Screws, terminals	Screws, terminals	Screws, terminals	
Additional features	—	Weld immune	—	
Productview	Page 427	Page 427	Page 427	



BAM00J7 BES 30,0-KH-2S/W				
For sensors Ø30 mm, for M30 sensors, fastening length 36mm and longer				
Brass, PTFE coated				
Ø 41 x 36 mm				
Screws, terminals				
Weld immune				
Page 427				

Sensors

RFID

Machine Vision and Optical Identification

Human Machine Interfaces

Systems

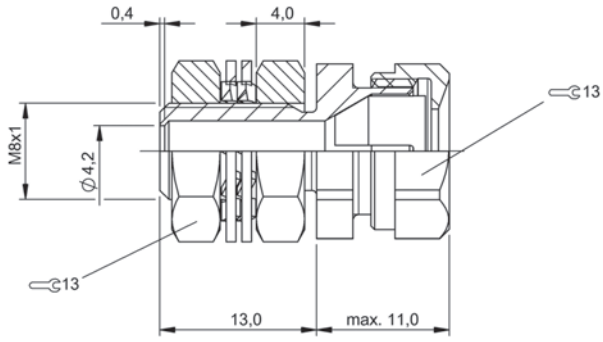
Safety

Industrial Networking

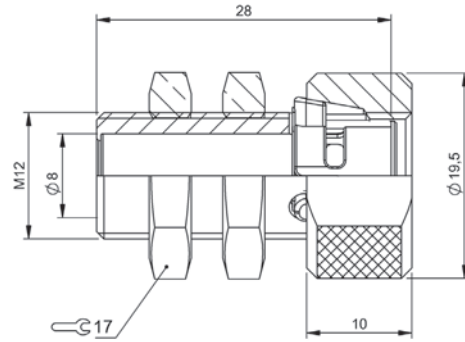
Power Supply

Connectivity

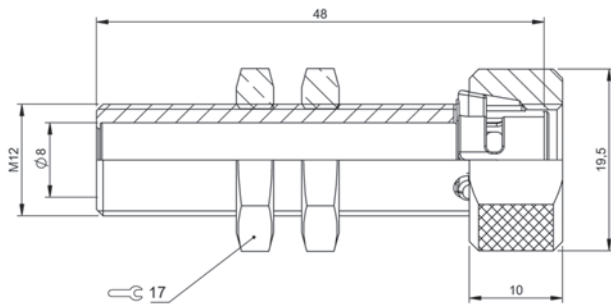
Accessories



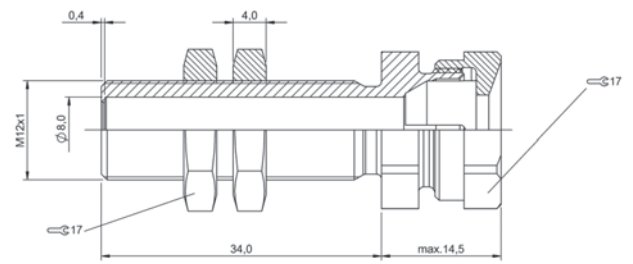
BAM0099



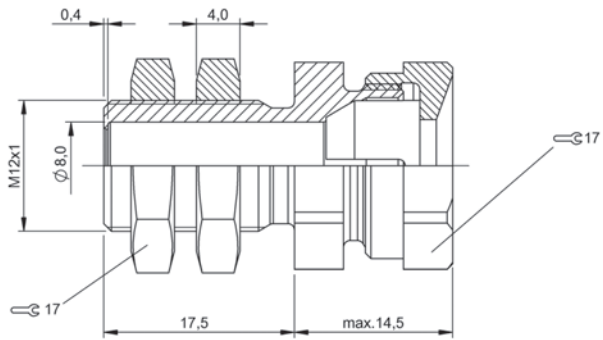
BAM0313, BAM0310



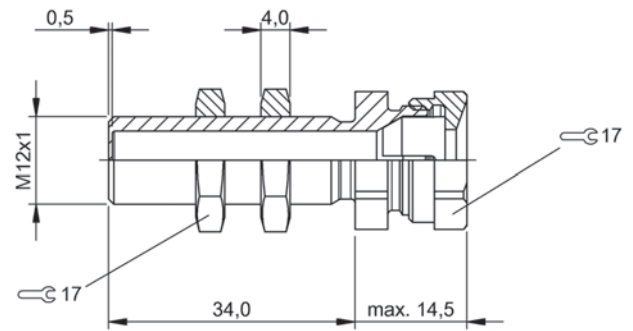
BAM0318



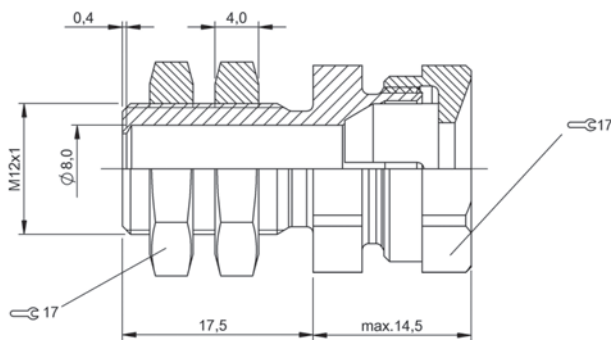
BAM00AE



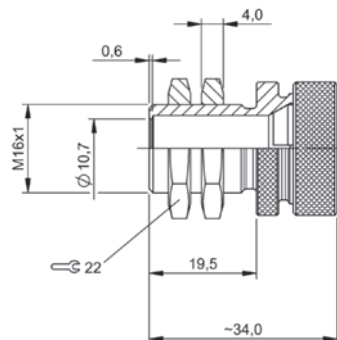
BAM00AH, BAM00AK



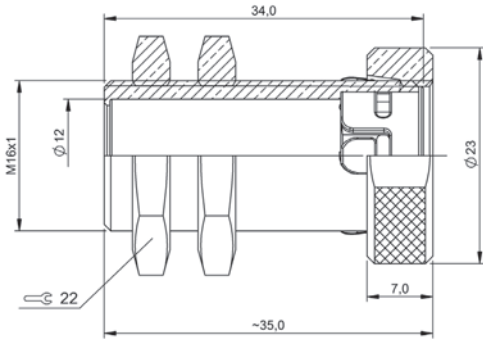
BAM00AL



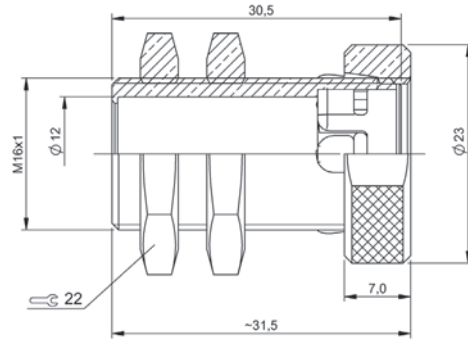
BAM00AR



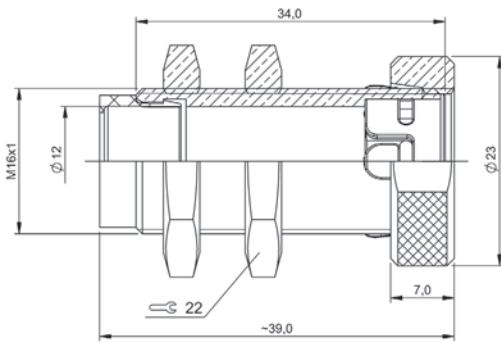
BAM01UT



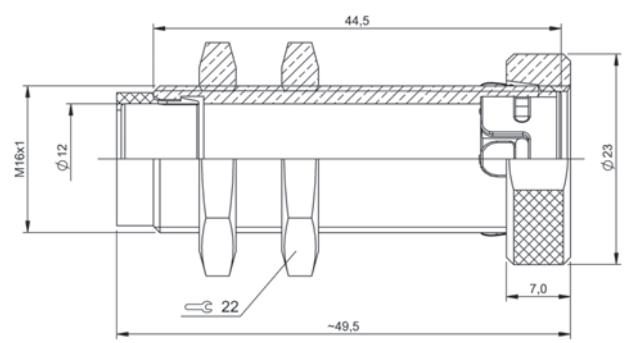
BAM0247



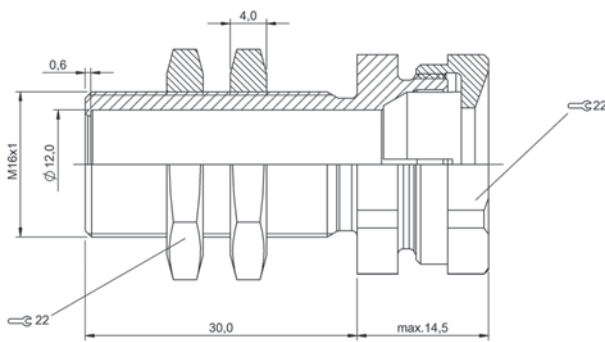
BAM0246



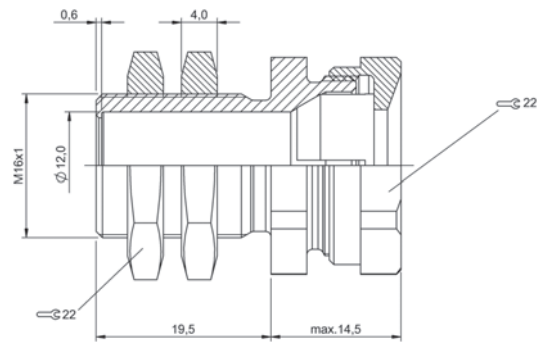
BAM024E



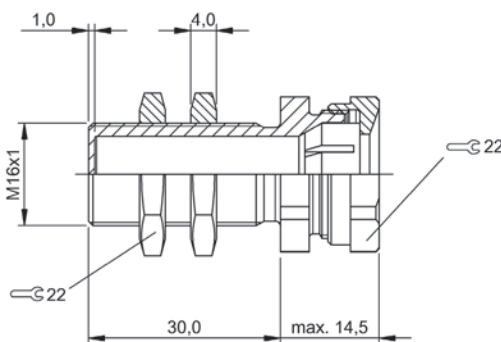
BAM024F



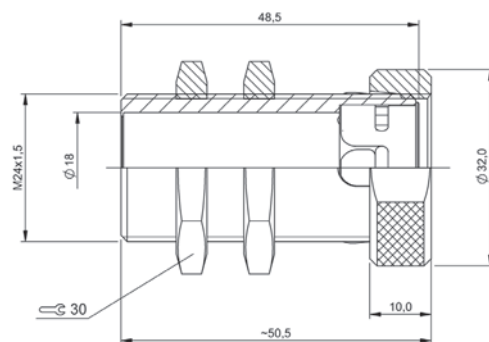
BAM00CY, BAM00CZ



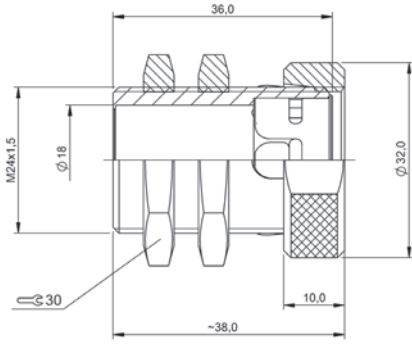
BAM00E0, BAM00E1



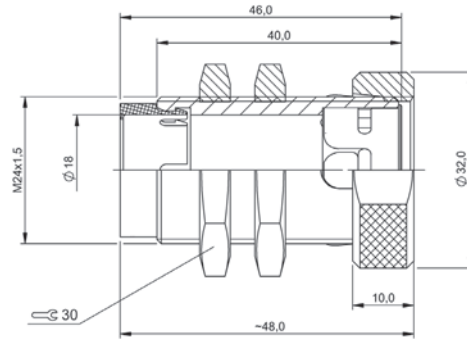
BAM00E2



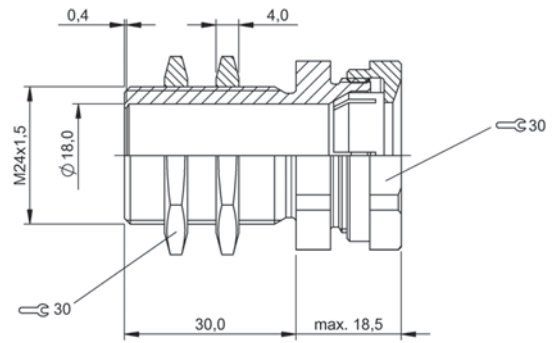
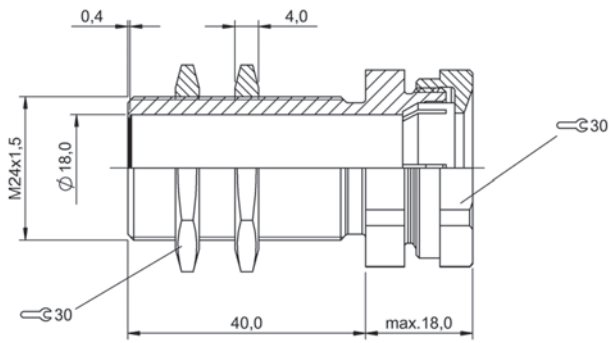
BAM022L



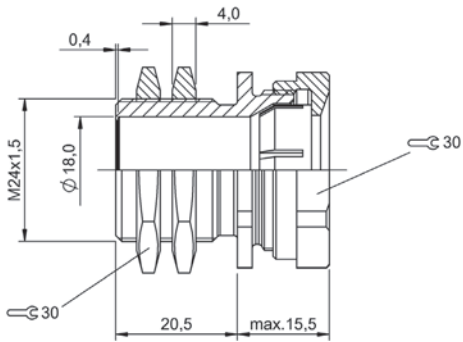
BAM022K



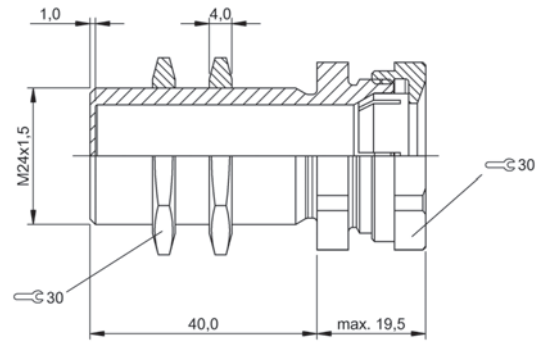
BAM022M



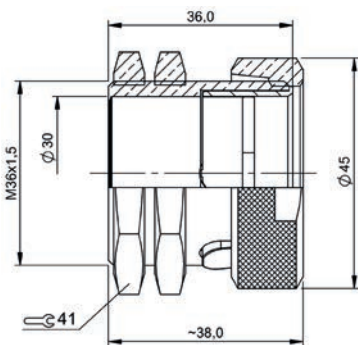
BAM00FN, BAM00FP



BAM00FR

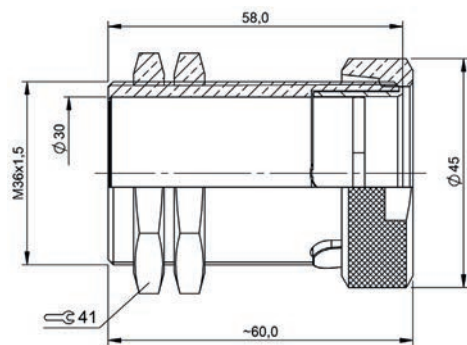


BAM00FT, BAM00FW

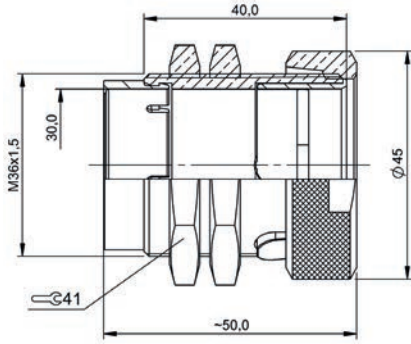


BAM0264

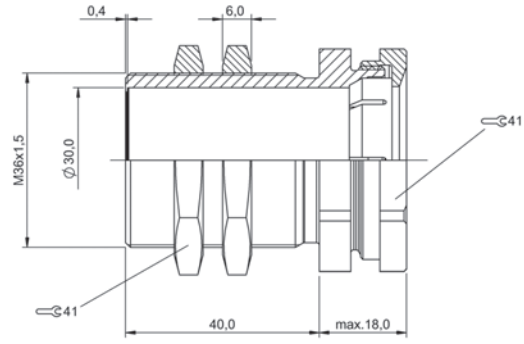
BAM00FY



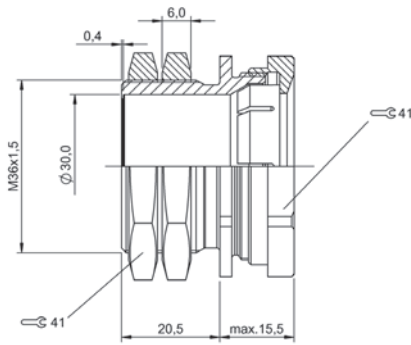
BAM0265, BAM024C



BAM024H



BAM00J4, BAM00J5



BAM00J6, BAM00J7



	BAM02P1 BAM MC-CS-043-R08-R-01	BAM02P2 BAM MC-CS-043-R08-R-02	BAM037T BAM MC-XA-054-D02,0-4	
Use	for capacitive sensors BCS R08	for capacitive sensors BCS R08	for sensors and fiber optics Ø2	
Material	PP	PP	Brass nickel plated	
Dimension	22 x 10 x 35 mm	75 x 9.4 x 54 mm	8 x 10 mm	
Mounting	Screws, terminals	Screws, terminals	Screws, terminals	
Ambient temperature	-25...85 °C	-25...85 °C	-25...85 °C	
Approval/Conformity	—	—	—	
Productview	Page 430	Page 430	Page 430	



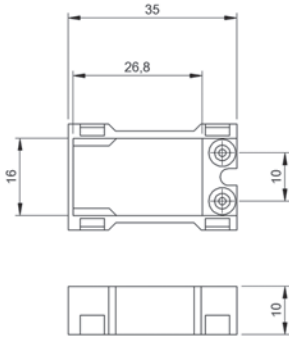
	BAM000W BAM MC-XA-002-D06,5-2	BAM000Y BAM MC-XA-002-D08,0-2	BAM0349 BAM MC-XA-049-D18,0-5	
Use	for sensors Ø6.5 mm	for sensors Ø8 mm	for ultrasonic sensors BUS, for sensors Ø18 mm	
Material	Brass nickel plated	Brass nickel plated	Stainless steel (1.4404) Silicon SI 70/101	
Dimension	8 x 11 mm	10 x 12 mm	Ø 30 x 25.5 mm	
Mounting	Screws, terminals	Screws, terminals	Screws, terminals	
Ambient temperature	-25...85 °C	-25...85 °C	-20...80 °C	
Approval/Conformity	—	—	EHEDG conformal	
Productview	Page 431	Page 431	Page 431	



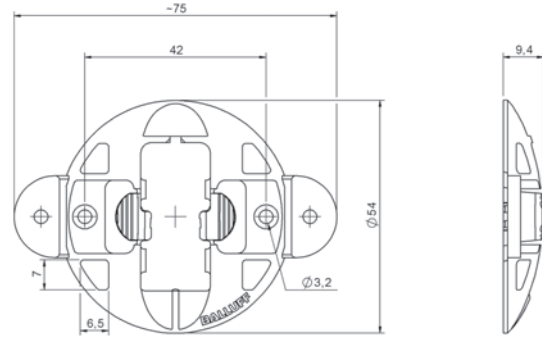
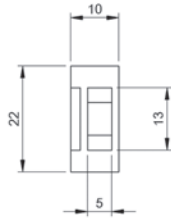
	BAM000T BAM MC-XA-002-D03,0-2	BAM037U BAM MC-XA-054-D03,0-4	BAM000U BAM MC-XA-002-D04,0-2	BAM037W BAM MC-XA-054-D04,0-4	BAM037Y BAM MC-XA-054-D05,0-4
	for sensors and fiber optics Ø3	for sensors and fiber optics Ø3	for sensors and fiber optics Ø4	for sensors and fiber optics Ø4	for sensors and fiber optics Ø5
	Brass nickel plated	Brass nickel plated	Brass nickel plated	Brass nickel plated	Brass nickel plated
	5 x 7 mm	8 x 10 mm	6 x 7 mm	8 x 10 mm	8 x 10 mm
	Screws, terminals	Screws, terminals	Screws, terminals	Screws, terminals	Screws, terminals
	-25...85 °C	-25...85 °C	-25...85 °C	-25...85 °C	-25...85 °C
	—	—	—	—	—
	Page 430	Page 430	Page 430	Page 430	Page 430



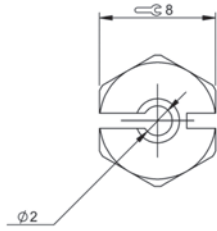
	BAM034A BAM MC-XA-049-D30,0-5				
	for ultrasonic sensors BUS, for sensors Ø30 mm				
	Stainless steel (1.4404) Silicon SI 70/101				
	Ø 50 x 40 mm				
	Screws, terminals				
	-20...80 °C				
	EHEDG conformal				
	Page 431				



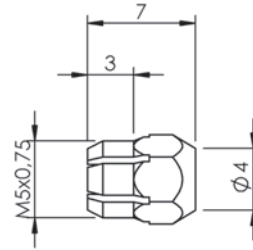
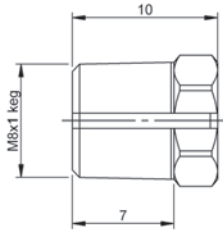
BAM02P1



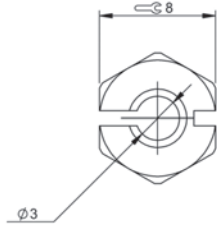
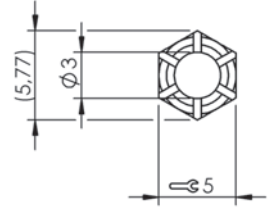
BAM02P2



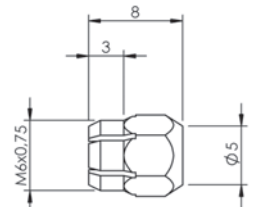
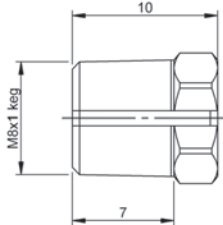
BAM037T



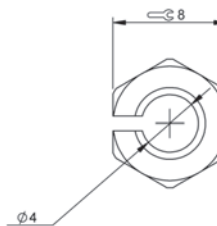
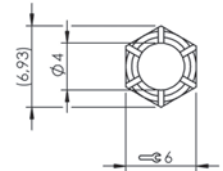
BAM000T



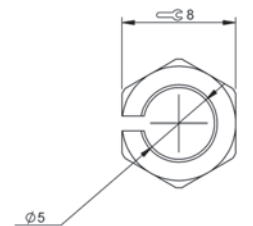
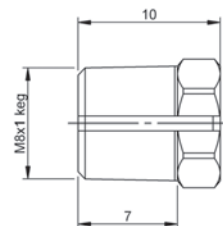
BAM037U



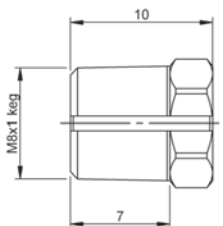
BAM000U

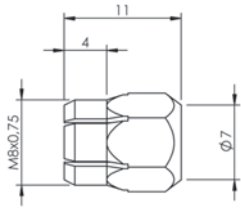


BAM037W

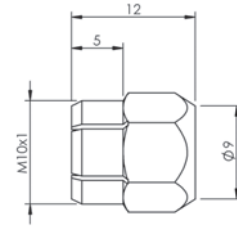
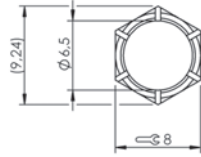


BAM037Y

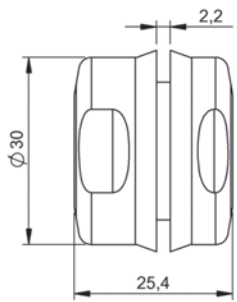
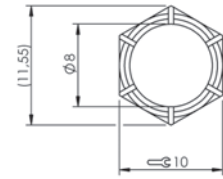




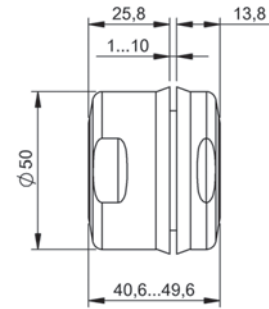
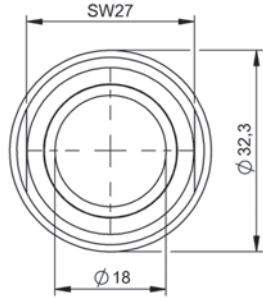
BAM000W



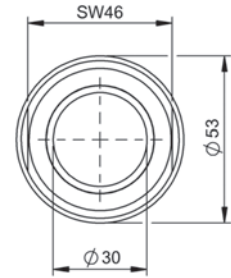
BAM000Y



BAM0349

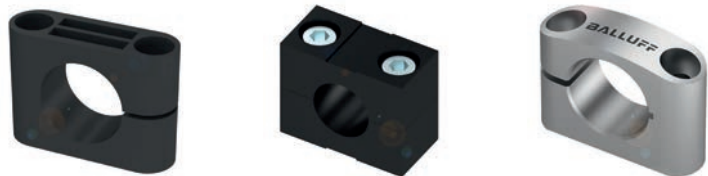


BAM034A





	BAM009A BES 06,5-BS-1	BAM0269 BAM MC-XA-027-D08,0-1	BAM00A2 BES 08,0-BS-1	
Version	Mounting clamp	Mounting clamp	Mounting clamp	
Use	For sensors Ø6.5 mm	For sensors Ø8 mm	For sensors Ø8 mm	
Material	PA 6	Aluminum anodized	PA 6	
Dimension	27 x 12 x 16 mm	12 x 15 x 27 mm	27 x 12 x 16 mm	
Mounting	Screws, terminals	Screws, terminals	Screws, terminals	
Productview	Page 442	Page 442	Page 442	



	BAM00F2 BES 18,0-BS-1	BAM00F3 BES 18,0-BS-2	BAM0327 BAM MC-XA-027-D20,0-1	
Version	Mounting clamp	Mounting clamp	Mounting clamp	
Use	For sensors Ø18 mm and M18, for read/write heads Ø18 mm	For sensors Ø18 mm and M18	For machine light Ø20 mm, for line laser Ø20 mm	
Material	PA 6	PBT	Naturally anodized aluminum	
Dimension	36 x 12 x 26 mm	20 x 32 x 40 mm	15 x 30 x 40 mm	
Mounting	Screws, terminals	Screws, terminals	Screws, terminals	
Productview	Page 443	Page 443	Page 443	



	BAM0218 BAM MC-XA-027-D12,0-1	BAM00C4 BES 12,0-BS-1	BAM00EM BES 14,5-BS-1	BAM00ET BES 16,0-BS-1	BAM0219 BAM MC-XA-027-D18,0-1
	Mounting clamp	Mounting clamp	Mounting clamp	Mounting clamp	Mounting clamp
	For sensors Ø12 mm, for M12 sensors	For sensors Ø12 mm, for read/write heads Ø12 mm	For sensors Ø14.5 mm, for read/write heads Ø14.5 mm	For sensors Ø16 mm, for read/write heads Ø16 mm	For sensors Ø18 mm, for M18 sensors
	Aluminum anodized	PA 6	PA 6	PA 6	Aluminum anodized
	12 x 20 x 32 mm	32 x 12 x 20 mm	32 x 12 x 20 mm	36 x 12 x 26 mm	12 x 26 x 36 mm
	Screws, terminals	Screws, terminals	Screws, terminals	Screws, terminals	Screws, terminals
	Page 442	Page 442	Page 442	Page 442	Page 442



	BAM0377 BAM MC-XA-053-D20,0-1	BAM00H7 BES 20,0-BS-1	BAM00H9 BES 22,0-BS-1	BAM01U0 BAM MC-XA-017-D30,0-1	BAM00HN BES 30,0-BS-1
	Mounting clamp	Mounting clamp	Mounting clamp	Mounting clamp	Mounting clamp
	For machine light Ø20 mm, for line laser Ø20 mm	For sensors Ø20 mm	For sensors Ø22 mm	For sensors Ø30 mm, for M30 sensors	For sensors Ø30 mm, for M30 sensors, for read/write heads Ø30 mm
	Naturally anodized aluminum	PA 6	PA 6	Aluminum anodized	PA 6
	15 x 29 x 35 mm	45 x 15 x 30 mm	45 x 15 x 30 mm	15 x 46 x 64 mm	55 x 18 x 38 mm
	Screws, terminals	Screws, terminals	Screws, terminals	Screws, terminals	Screws, terminals
	Page 443	Page 443	Page 443	Page 443	Page 443



	BAM035Y BAM FS-AM-011-D45,0-4	BAM0379 BAM MC-XA-050-D45,0-1	BAM0360 BAM MC-XE-051-D45,0-3	
Version	Holder	Installation set	Mounting clamp	
Use	For machine light Ø45 mm, for mounting cuffs Ø45mm	For machine light Ø45 mm	For machine light Ø45 mm	
Material	Stainless steel	Naturally anodized aluminum	Steel zinc plated EPDM	
Dimension	1.5 x 40 x 76 mm	34 x 62.3 x 50 mm	16 x 62.5 x 80 mm	
Mounting	Clamps	Screws, terminals	Clamps	
Productview	Page 444	Page 444	Page 444	



	BAM026J BAM MC-XA-032-Q40-1	BAM00JW BES Q40-HW-1	BAM00JY BES Q40-HW-2	
Version	Holder	Holder	Mounting block	
Use	For capacitive sensors BCS Q40, for inductive sensors BES Q40, for inductive couplers BIC Q40	For capacitive sensors BCS Q40	For capacitive sensors BCS Q40, for inductive sensors BES Q40, for inductive couplers BIC Q40	
Material	Aluminum anodized	Aluminum anodized	Die-cast zinc	
Dimension	50 x 5 x 80 mm	61.5 x 5 x 35 mm	40 x 25 x 40 mm	
Mounting	Screws	Screws	Screws, terminals	
Productview	Page 445	Page 445	Page 445	



	BAM035Z BAM MC-XE-052-D45,0-1	BAM00PO BF0 08,0-KB-1	BAM02WA BAM MB-XE-031-Q40-A	BAM034N BAM MB-XE-031-Q40-A-01	BAM01TM BAM MC-XA-016-Q40-1
	Installation set	Mounting block	Holder	Holder	Holder
	For machine light Ø45 mm	For sensors Ø8 mm	For capacitive sensors BCS Q40, for inductive couplers BIC Q40	For capacitive sensors BCS Q40, for inductive sensors BES Q40	For capacitive sensors BCS Q40, for Unicomact sensors, for inductive sensors BES Q40, for inductive couplers BIC Q40
	Naturally anodized aluminum	Aluminum	PA 6	PA 6	Aluminum anodized Plastic
	20 x 56 x 50 mm	16 x 20 x 12 mm	40 x 30 x 62.7 mm	40 x 30 x 65 mm	100 x 5 x 40 mm
	Clamps	Screw M3	Screws	Screws	Screws
	Page 444	Page 444	Page 444	Page 444	Page 444



	BAM00JZ BES Q40-HW-3	BAM00K3 BES R04-MF-01	BAM02Y5 BAM MB-XA-029-D30,0-5	BAM02Y4 BAM MB-XA-030-D30,0-5	BAM0158 BES 516-MB-08
	Mounting block	Holder	Mounting bracket	Mounting bracket	Mounting bracket
	For processors BIS C-324, for capacitive sensors BCS Q40, for inductive sensors BES Q40, for inductive couplers BIC Q40	For inductive sensors BES R04	For sensors Ø30 mm, for temperature sensor BTS M30	For sensors Ø30 mm, for temperature sensor BTS M30	For M08 sensors
	Aluminum anodized	Stainless steel	Stainless steel (1.4404)	Stainless steel (1.4404)	Stainless steel
	22 x 40 x 40 mm	4 x 16.2 x 9 mm	50 x 63 x 108 mm	30 x 83 x 108 mm	29 x 34 x 76 mm
	Screws, terminals	Screws	Clamps	Clamps	Screws
	Page 445	Page 445	Page 445	Page 445	Page 445



	BAM0159 BES 516-MB-12	BAM015A BES 516-MB-18	BAM015C BES 516-MB-30	
Version	Mounting bracket	Mounting bracket	Mounting bracket	
Use	For M12 sensors	For M18 sensors	For M30 sensors	
Material	Stainless steel	Stainless steel	Stainless steel	
Dimension	29 x 34 x 76 mm	29 x 34 x 76 mm	48 x 55 x 108 mm	
Mounting	Screws	Screws	Screws	
Productview	Page 446	Page 446	Page 446	



	BAM009C BES 06,5-KB-1	BAM009E BES 06,5-KB-3	BAM009F BES 06,5-KB-7	
Version	Mounting block	Mounting block	Mounting block	
Use	For sensors Ø6.5 mm	For sensors Ø6.5 mm	For sensors Ø6.5 mm	
Material	PA 6	PA 6	Aluminum anodized	
Dimension	17 x 12 x 9 mm	16 x 12 x 20 mm	16 x 12 x 20 mm	
Mounting	Screws, terminals	Screws, terminals	Screws, terminals	
Productview	Page 447	Page 447	Page 447	



	BAM0092 BES 03,0-KB-3	BAM0094 BES 04,0-KB-1	BAM0095 BES 04,0-KB-3	BAM0097 BES 05,0-KB-1	BAM0098 BES 05,0-KB-3
	Mounting block	Mounting block	Mounting block	Mounting block	Mounting block
	For sensors and fiber optics Ø3	For sensors and fiber optics Ø4	For sensors and fiber optics Ø4	For sensors Ø5 mm, for M05 sensors	For sensors Ø5 mm, for M05 sensors
	PA 6	PA 6	PA 6	PA 6	PA 6
	16 x 12 x 20 mm	17 x 12 x 9 mm	16 x 12 x 20 mm	17 x 12 x 9 mm	16 x 12 x 20 mm
	Screws, terminals	Screws, terminals	Screws, terminals	Screws, terminals	Screws, terminals
	Page 446	Page 446	Page 446	Page 446	Page 446



	BAM00A4 BES 08,0-KB-10/W	BAM00A5 BES 08,0-KB-3	BAM00A6 BES 08,0-KB-3-F	BAM00AA BES 08,0-KB-7	BAM00AW BES 08,1-KB-4-F
	Mounting block	Mounting block	Mounting clamp with positive stop	Mounting block	Mounting clamp with positive stop
	For sensors Ø8 mm, for M08 sensors	For sensors Ø8 mm, for M08 sensors	For sensors Ø8 mm, for M08 sensors	For sensors Ø8 mm, for M08 sensors	For sensors Ø8 mm, for M08 sensors
	Galvanized steel	PA 6	PA 6	Aluminum anodized	Aluminum
	35 x 12.7 x 28.6 mm	16 x 12 x 20 mm	16 x 12 x 20 mm	16 x 12 x 20 mm	28 x 30 x 12 mm
	Screws, terminals	Screws, terminals	Screws, terminals	Screws, terminals	Screws, terminals
	Page 447	Page 447	Page 447	Page 447	Page 447



	BAM00C6 BES 12,0-KB-10/W	BAM00C7 BES 12,0-KB-2	BAM00C9 BES 12,0-KB-3	
Version	Mounting block	Mounting block	Mounting block	
Use	For sensors Ø12 mm, for M12 sensors	For sensors Ø12 mm, for M12 sensors	For sensors Ø12 mm, for M12 sensors	
Material	Galvanized steel	PA 6	PA 6	
Dimension	38.1 x 19 x 34.9 mm	40 x 16 x 40 mm	40 x 18 x 30 mm	
Mounting	Screws, terminals	Screws, terminals	Screws, terminals	
Productview	Page 448	Page 448	Page 448	



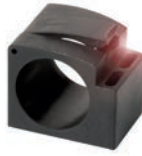
	BAM00F7 BES 18,0-KB-3	BAM00F8 BES 18,0-KB-3-F	BAM00FC BES 18,0-KB-4-F	
Version	Mounting block	Mounting clamp with positive stop	Mounting clamp with positive stop	
Use	For sensors Ø18 mm, for M18 sensors	For sensors Ø18 mm, for M18 sensors	For sensors Ø18 mm, for M18 sensors	
Material	PA 6	PA 6	Anodized aluminum	
Dimension	40 x 24 x 30 mm	40 x 24 x 30 mm	40 x 22 x 28 mm	
Mounting	Screws, terminals	Screws, terminals	Screws, terminals	
Productview	Page 449	Page 449	Page 449	



	BAM00CA BES 12,0-KB-3-F	BAM00CF BES 12,0-KB-4-F	BAM00EK BES 12,0-KB-9S	BAM01KM BOS 12,0-KB-1	BAM00F5 BES 18,0-KB-10/W
	Mounting clamp with positive stop	Mounting clamp with positive stop	Mounting block	Mounting clamp with ball joint	Mounting block
	For sensors Ø12 mm, for M12 sensors	For sensors Ø12 mm, for M12 sensors	For sensors Ø12 mm, for M12 sensors	For M12 sensors	For sensors Ø18 mm, for M12 sensors
	PA 6	Anodized aluminum	Aluminum	PA	Galvanized steel
	40 x 18 x 30 mm	35 x 16 x 28 mm	31.8 x 18 x 38.1 mm	32.5 x 66 x 57.2 mm	38.1 x 25.4 x 38.1 mm
	Screws, terminals	Screws, terminals	Screws, terminals	Screws, terminals	Screws, terminals
	Page 448	Page 448	Page 448	Page 448	Page 448



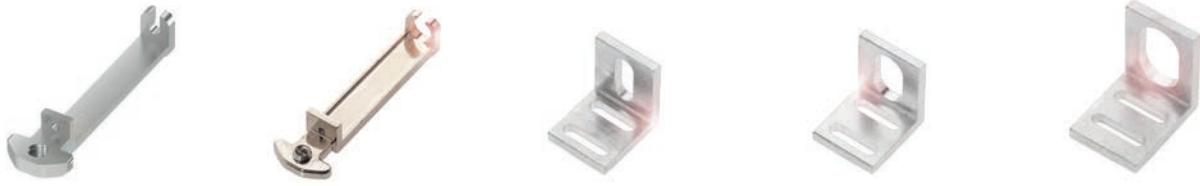
	BAM00FE BES 18,0-KB-5-F	BAM00T3 BOS 18,0-KB-1	BAM00HR BES 30,0-KB-10/W	BAM00HU BES 30,0-KB-3-F	BAM00HW BES 30,0-KB-4-F
	Mounting clamp with positive stop	Mounting clamp with ball joint	Mounting block	Mounting clamp with positive stop	Mounting clamp with positive stop
	For sensors Ø18 mm, for M18 sensors	For M18 sensors	For sensors Ø30 mm, for M30 sensors	For sensors Ø30 mm, for M30 sensors	For sensors Ø30 mm, for M30 sensors
	PC	PA GF	Galvanized steel	PA 6	Anodized aluminum
	30 x 24 x 29 mm	32.5 x 66 x 57.2 mm	44.5 x 38.1 x 60 mm	54 x 36 x 30 mm	56 x 34 x 34 mm
	Clamps	Screws, terminals	Screws, terminals	Screws, terminals	Screws, terminals
	Page 449	Page 449	Page 449	Page 449	Page 449



	BAM00HY BES 30,0-KB-5-F	BAM00TN BOS 30,0-KB-1	BAM02UE BAM MC-XA-014-Q08-2	
Version	Mounting clamp with positive stop	Mounting clamp with ball joint	Holder	
Use	For sensors Ø30 mm, for M30 sensors	For M30 sensors	For photoelectric sensors BOS Q08M	
Material	PC	PA GF	Brass white bronze	
Dimension	35 x 34.5 x 41 mm	32.5 x 66 x 57.2 mm	13.5 x 14 x 65 mm	
Mounting	Clamps	Screws, terminals	Minitec Profile	
Productview	Page 450	Page 450	Page 450	

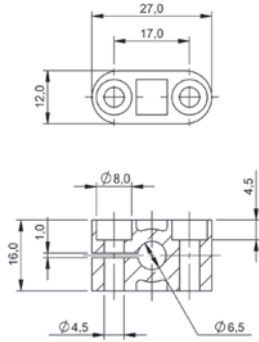


	BAM00HH BES 30-HW-1			
Version	Mounting bracket			
Use	For M30 sensors, for positive stop M30			
Material	Aluminum			
Dimension	40 x 40 x 60 mm			
Mounting	Screws			
Productview	Page 451			

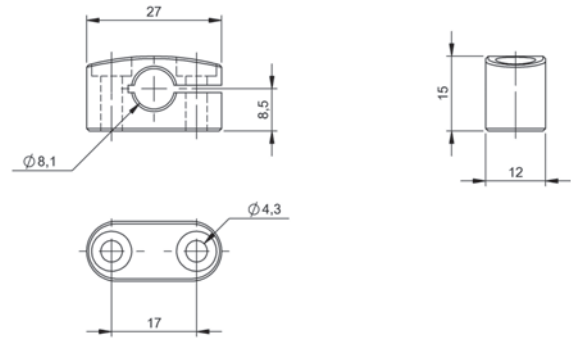


	BAM00NJ BES Q08-KH-2	BAM01AU BES Q08-KH-3	BAM009U BES 08-HW-1	BAM00CO BES 12-HW-1	BAM00EY BES 18-HW-1
	Holder	Holder	Mounting bracket	Mounting bracket	Mounting bracket
	For photoelectric sensors BOS Q08M	For photoelectric sensors BOS Q08M	For M08 sensors, for positive stop M8	For M12 sensors, for positive stop M12	For M18 sensors, for positive stop M18
	Copper zinc plated	Copper zinc plated	Aluminum	Aluminum	Aluminum
	17.6 x 12.1 x 61.5 mm	17.6 x 12.1 x 60 mm	25 x 30 x 30 mm	25 x 30 x 30 mm	30 x 40 x 40 mm
	Item Profile 8mm slot	Bosch profile 10 mm slit	Screws	Screws	Screws
	Page 450	Page 450	Page 450	Page 450	Page 450

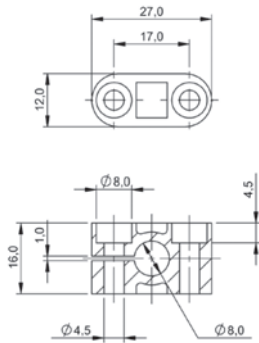
Sensors
RFID
Machine Vision and Optical Identification
Human Machine Interfaces
Systems
Safety
Industrial Networking
Power Supply
Connectivity



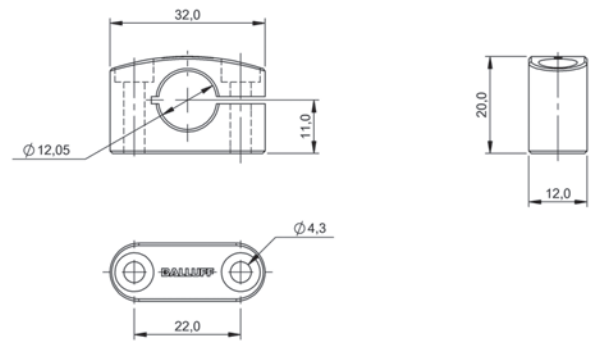
BAM009A



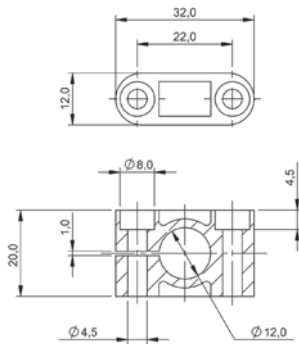
BAM0269



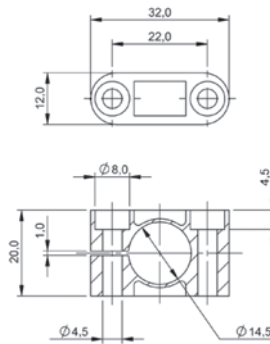
BAM00A2



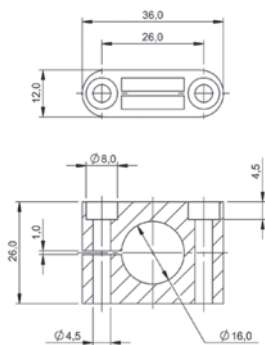
BAM0218



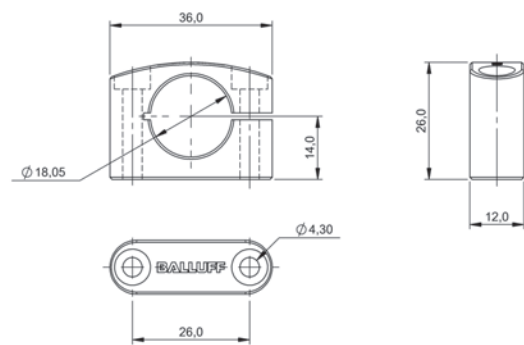
BAM00C4



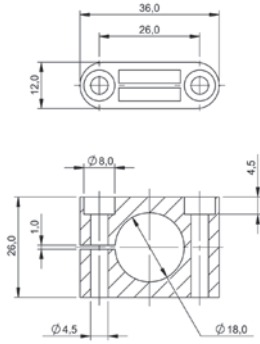
BAM00EM



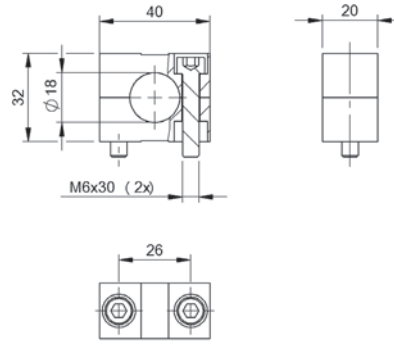
BAM00ET



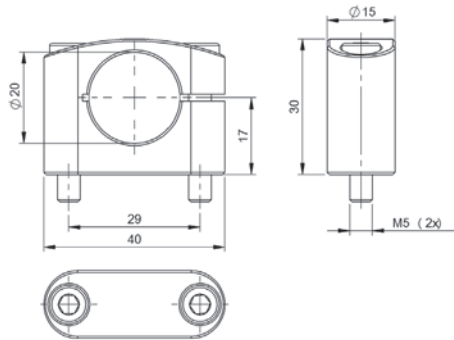
BAM0219



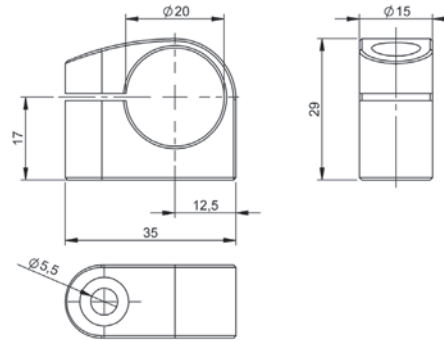
BAM00F2



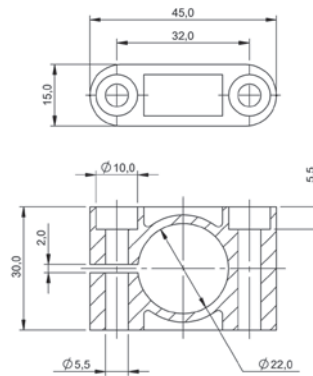
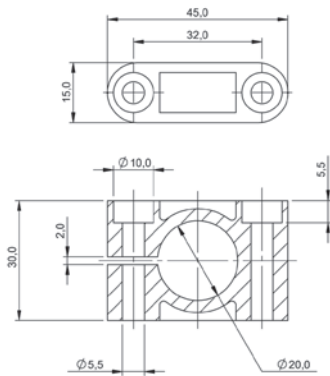
BAM00F3



BAM0327

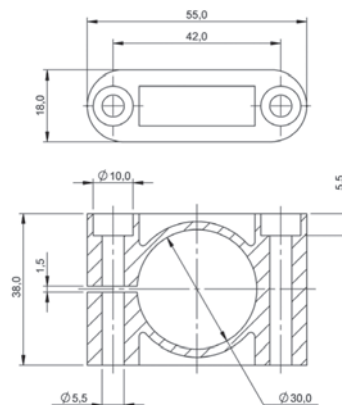
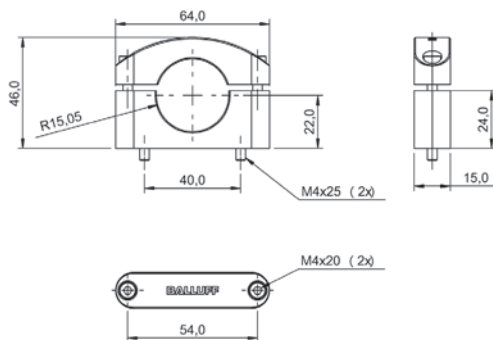


BAM0377



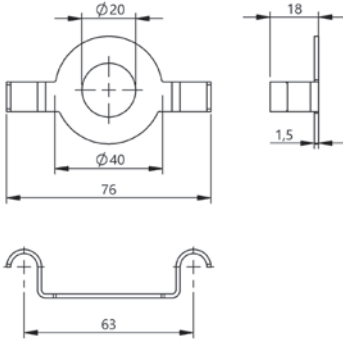
BAM00H7

BAM00H9

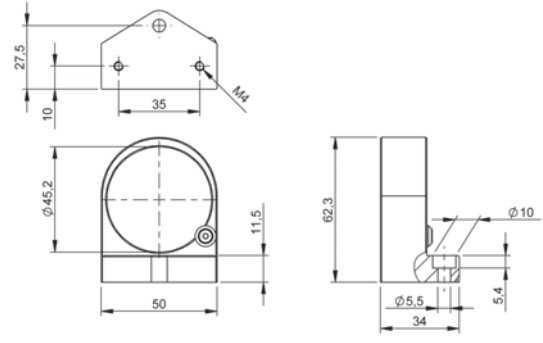


BAM01U0

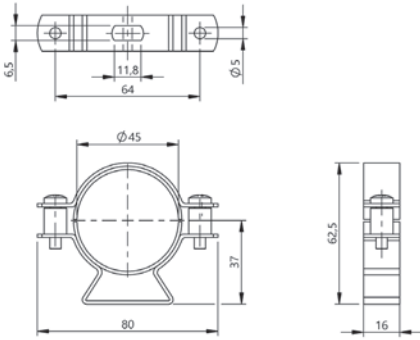
BAM00HN



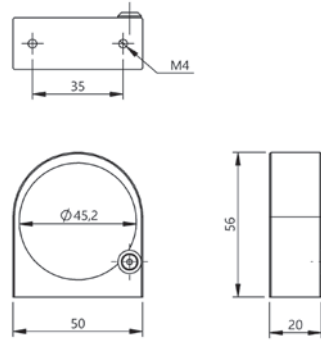
BAM035Y



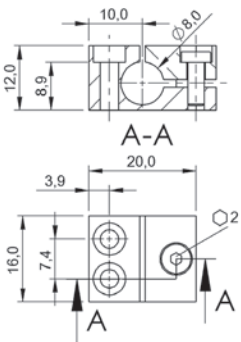
BAM0379



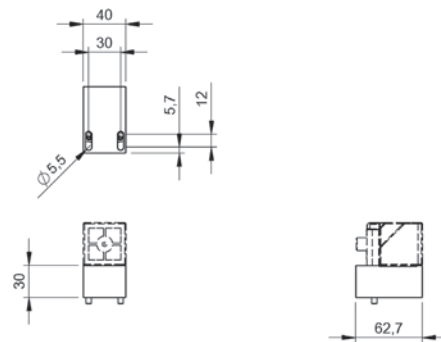
BAM0360



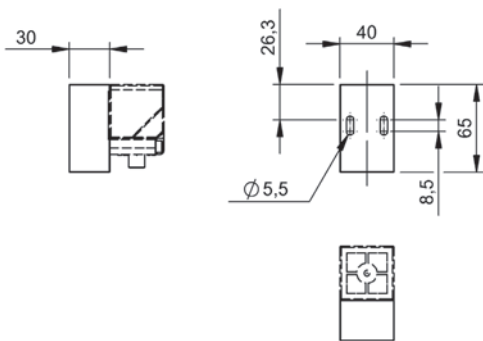
BAM035Z



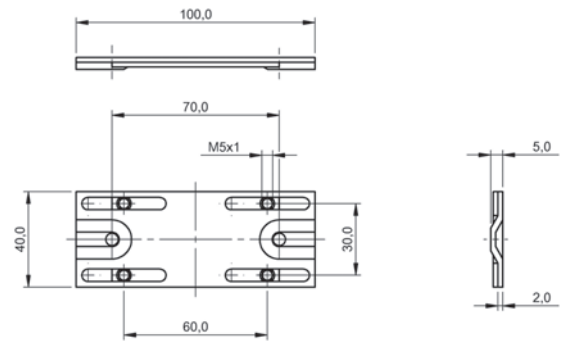
BAM00P0



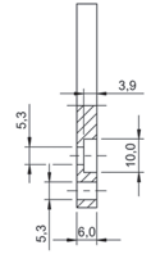
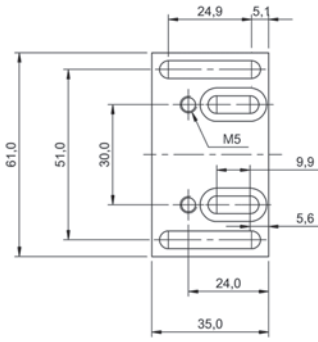
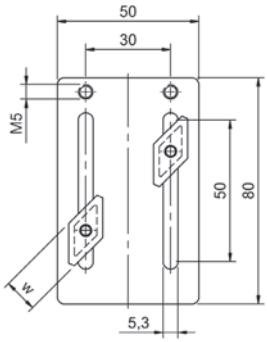
BAM02WA



BAM034N

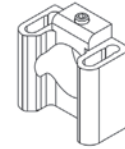
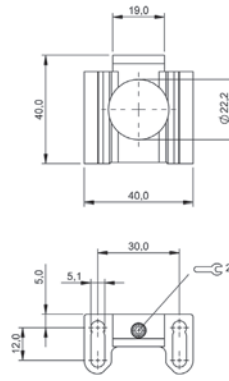
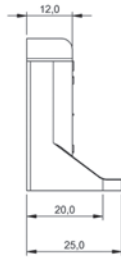
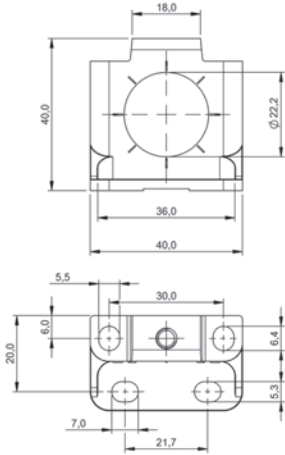


BAM01TM



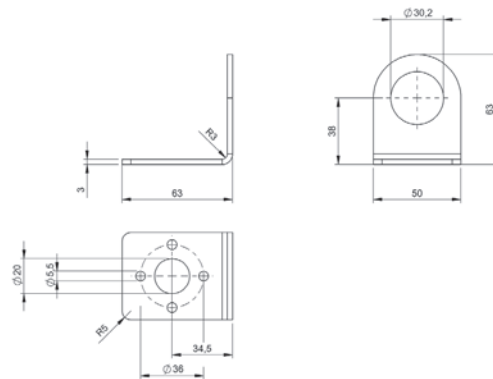
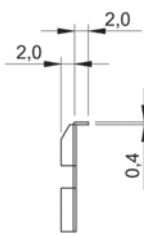
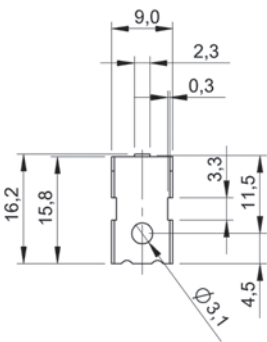
BAM026J

BAM00JW



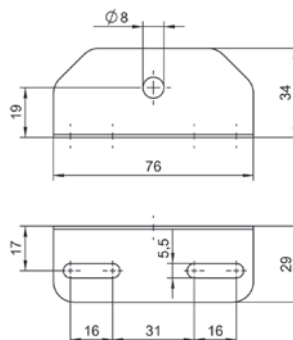
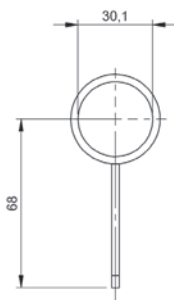
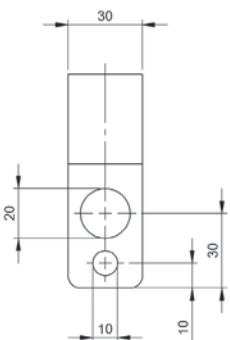
BAM0026J

BAM000JW



BAM000JY

BAM000JZ

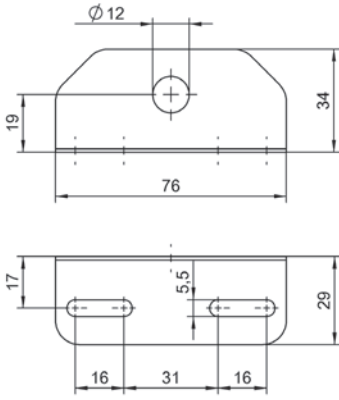


BAM00K3

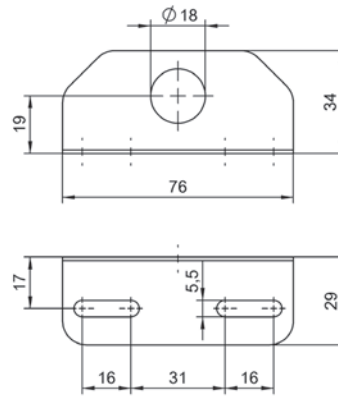
BAM02Y5

BAM02Y4

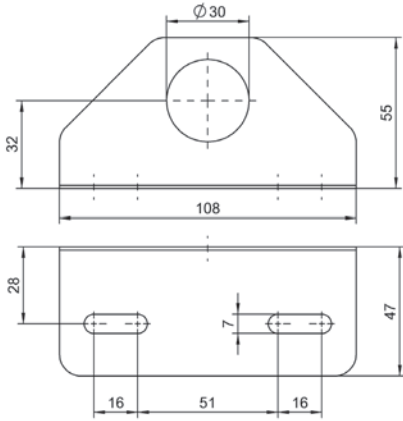
BAM0158



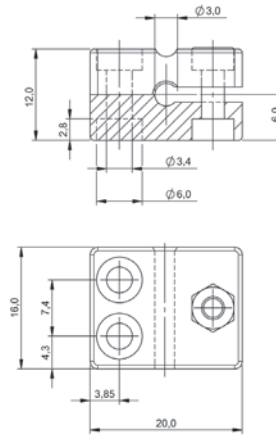
BAM0159



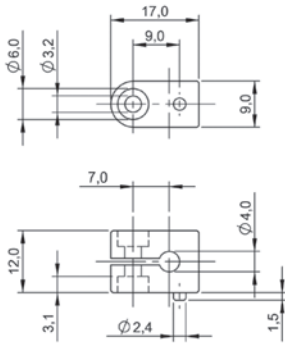
BAM015A



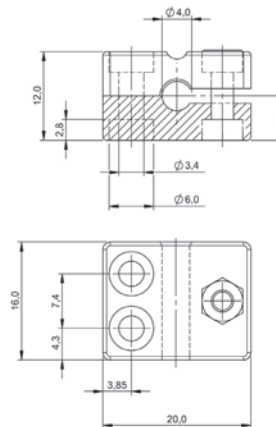
BAM015C



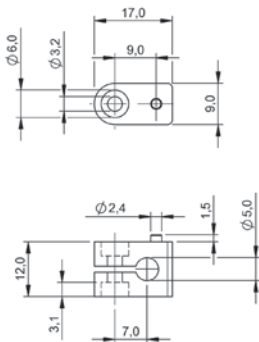
BAM0092



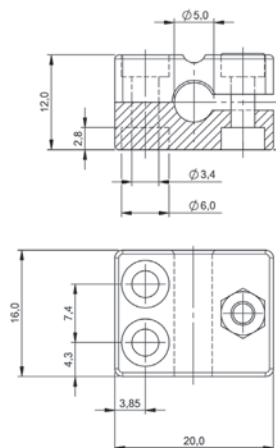
BAM0094



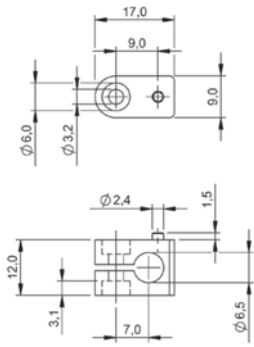
BAM0095



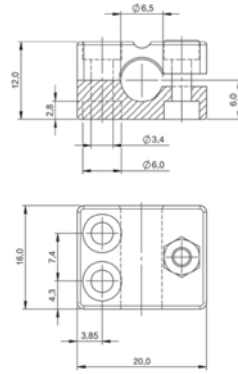
BAM0097



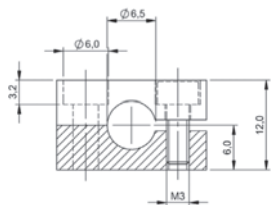
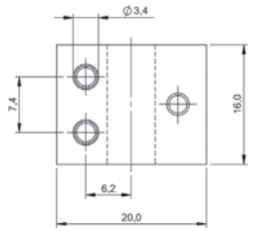
BAM0098



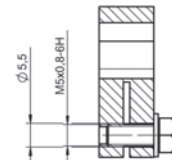
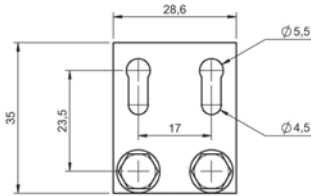
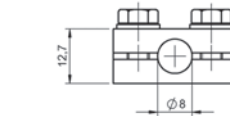
BAM009C



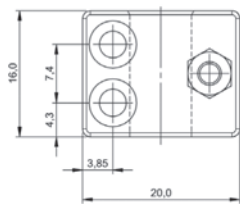
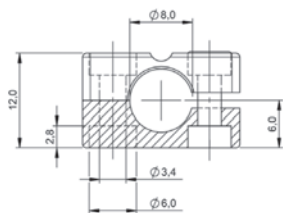
BAM009E



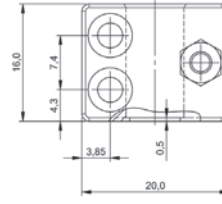
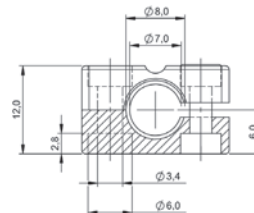
BAM009F



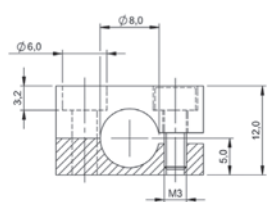
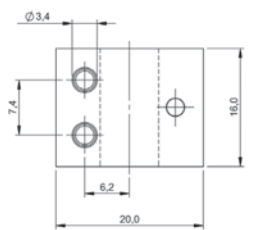
BAM009E



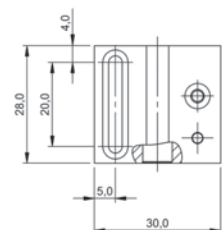
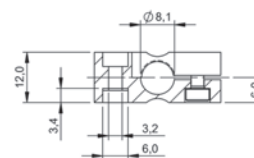
BAM0004



BAM0004



BAM0005



BAM0006

Sensors

RFID

Machine Vision and Optical Identification

Human Machine Interfaces

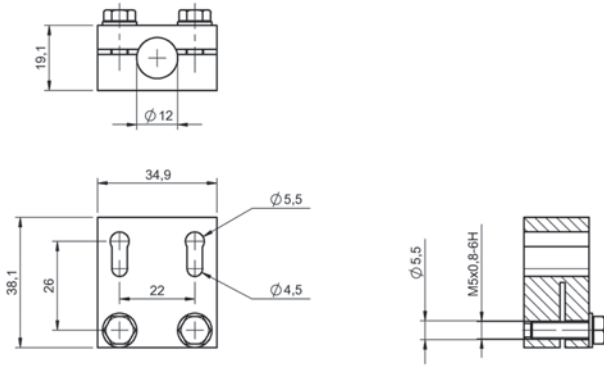
Systems

Safety

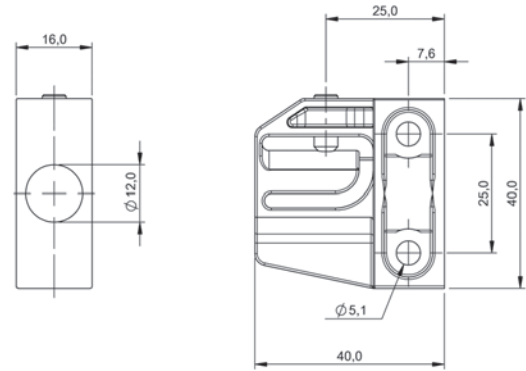
Industrial Networking

Power Supply

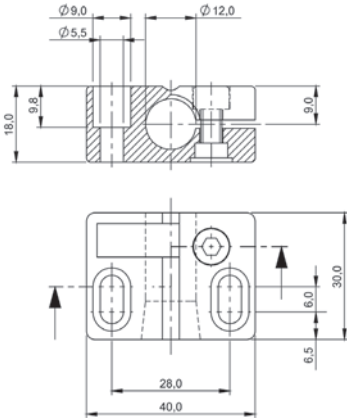
Connectivity



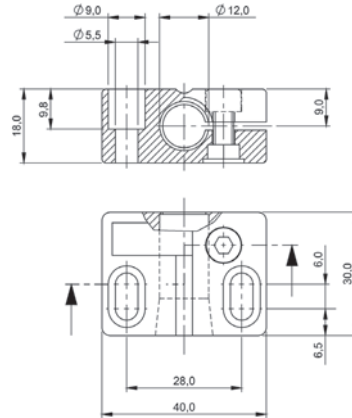
BAM00C6



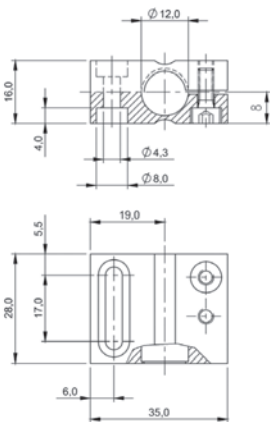
BAM00C7



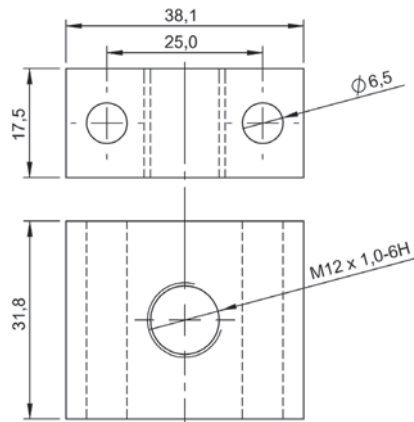
BAM00C9



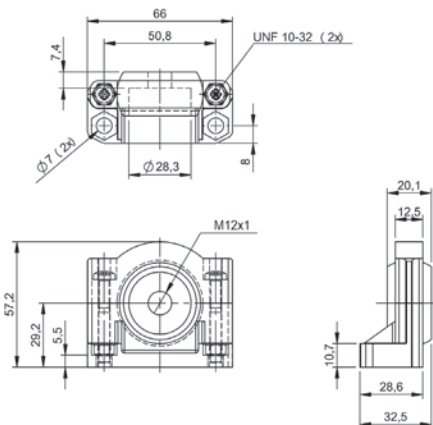
BAM00CA



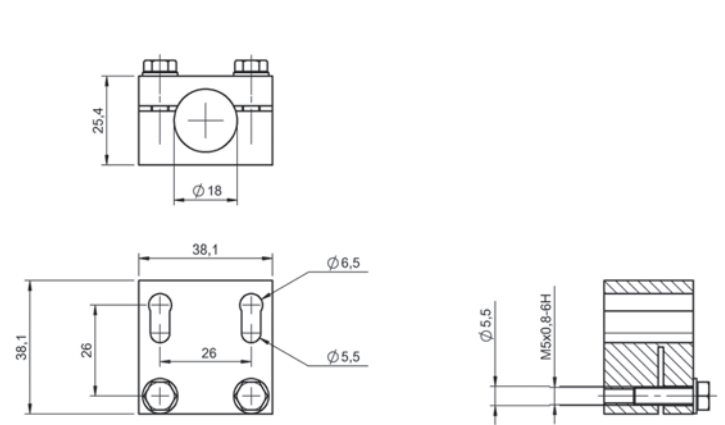
BAM00CF



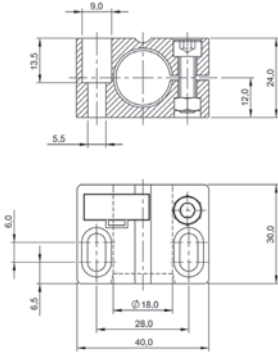
BAM00EK



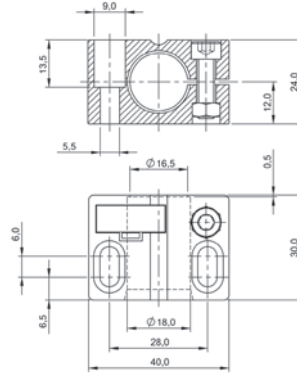
BAM01KM



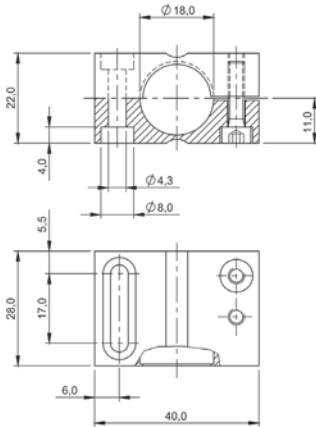
BAM00F5



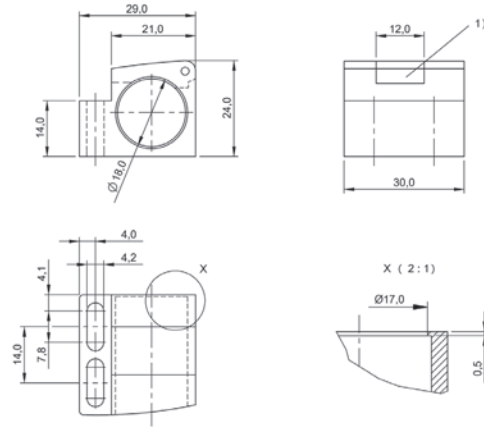
BAM00F7



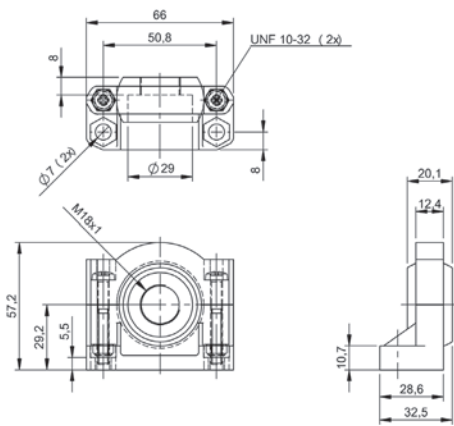
BAM00F8



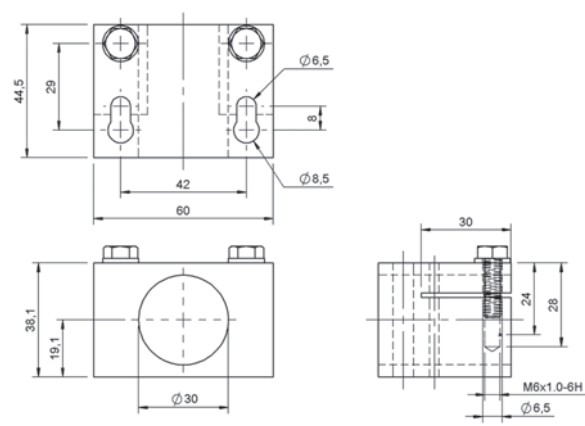
BAM00FC



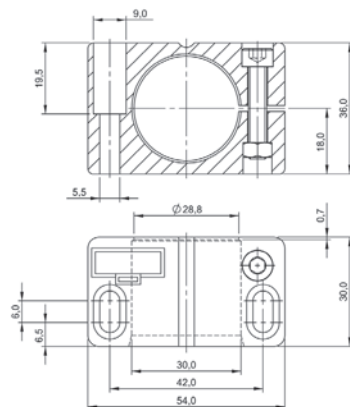
1) Schließsystem mechanisch
BAM00FE



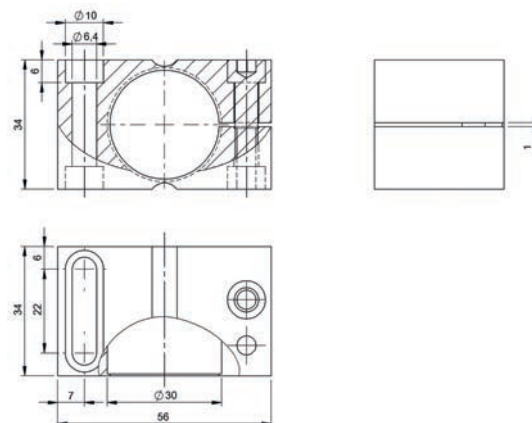
BAM00T3



BAM00HR

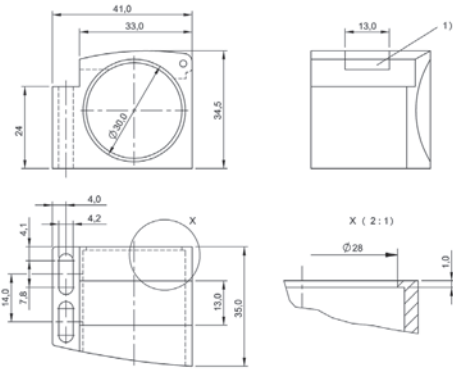


BAM00HU



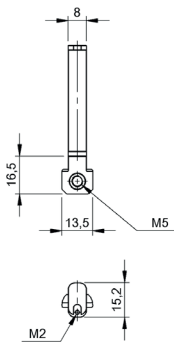
BAM00HW

450 | Accessories | Fastening Technology

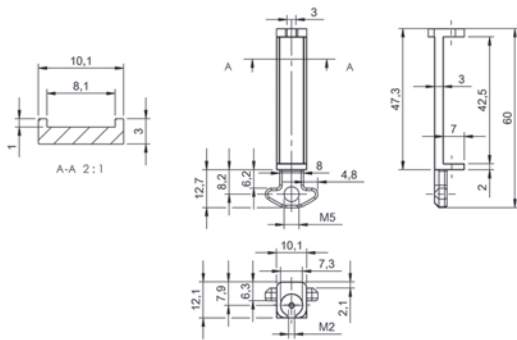


1) Schließsystem mechanisch

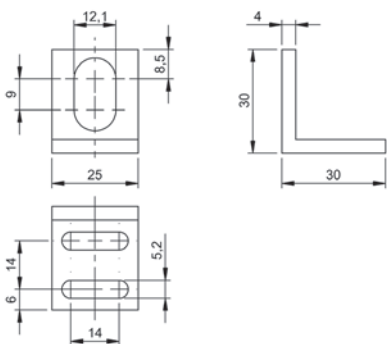
BAM00HY



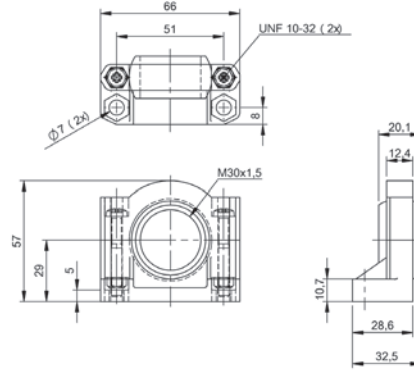
BAM02UE



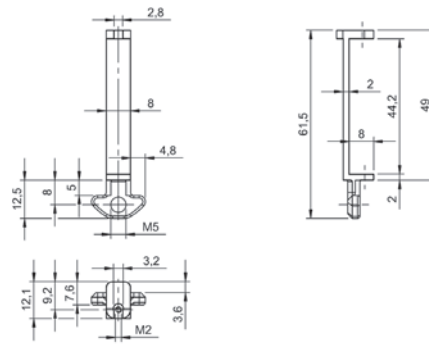
BAM01AU



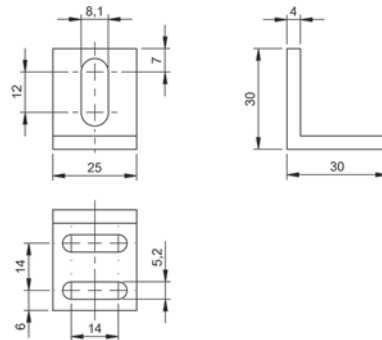
BAM00C0



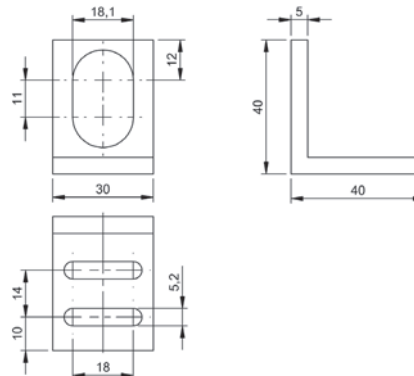
BAM00TN



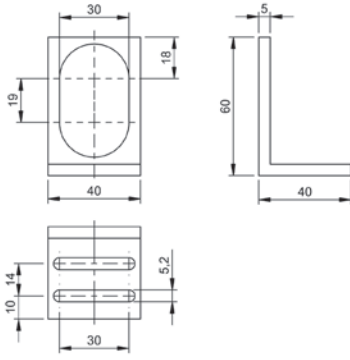
BAM00NJ



BAM009U



BAM00EY



BAM00HH

Sensors

RFID

Machine Vision and
Optical Identification

Human Machine
Interfaces

Systems

Safety

Industrial Networking

Power Supply

Connectivity

Accessories



	BAM0255 BAM MB-NI-016-800-1	BAM026K BAM MB-NI-017-100-1	
Principle of operation	holding SmartLight	holding SmartLight	
Use	for signal light Smartlight	for signal light Smartlight	
Material	Naturally anodized aluminum	Naturally anodized aluminum	
Dimension	80 x 6 x 62 mm	Ø 70 x 100 mm	
Mounting	Screws	Screws	
Productview	Page 454	Page 455	



BAM034C BAM MB-NI-017-250-1	BAM026L BAM MB-NI-017-400-1	BAM02M5 BAM MB-XA-025-D19,0-1	
holding SmartLight	holding SmartLight	holding SmartLight	
for signal light Smartlight	for signal light Smartlight	for signal light Smartlight	
Naturally anodized aluminum	Naturally anodized aluminum	Naturally anodized aluminum	
Ø 70 x 250 mm	Ø 70 x 400 mm	121 x 72 x 80 mm	
Screws	Screws	Screws	
Page 455	Page 455	Page 454	

Sensors

RFID

Machine Vision and
Optical Identification

Human Machine
Interfaces

Systems

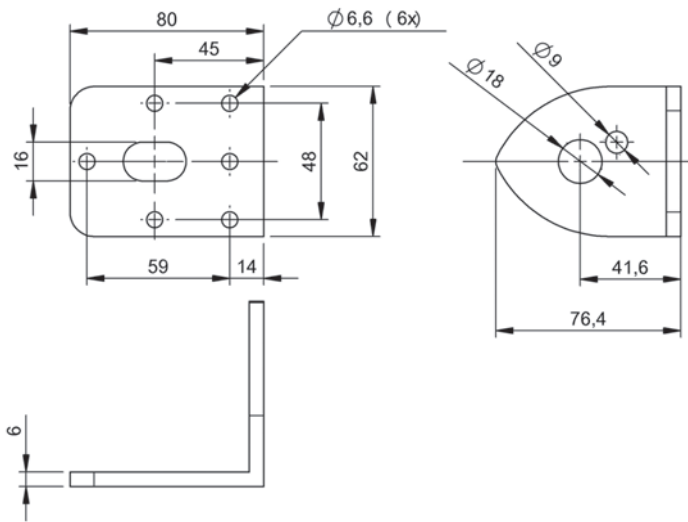
Safety

Industrial Networking

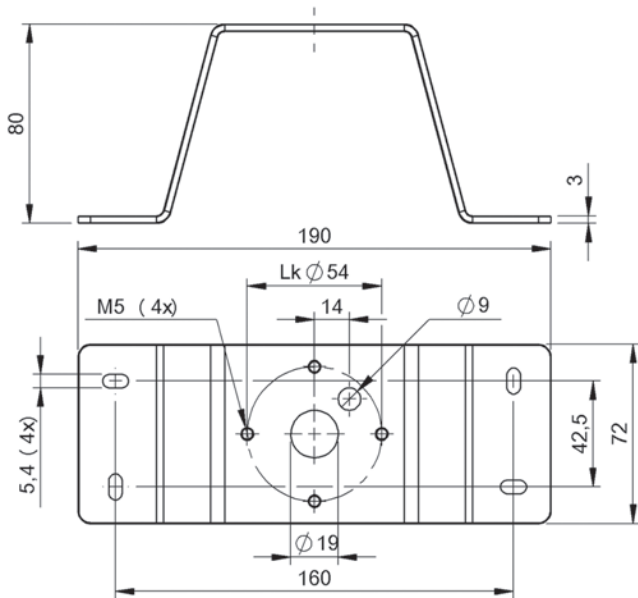
Power Supply

Connectivity

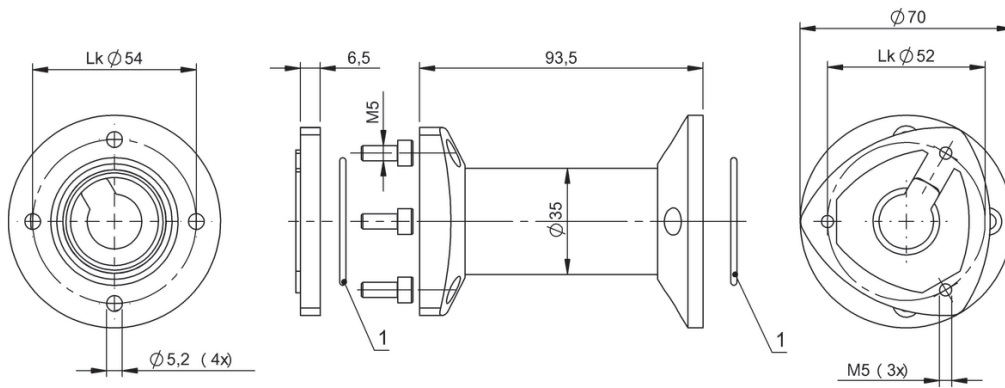
Accessories



BAM0255

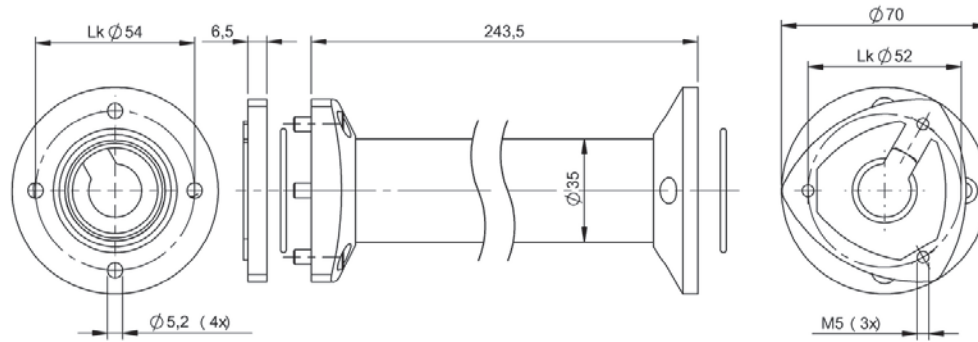


BAM02M5

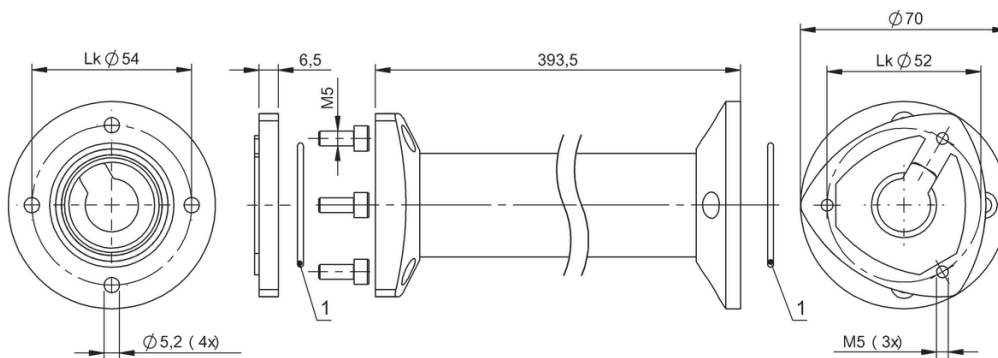


1) O-ring

BAM026K



BAM034C



1) O-ring

BAM026L



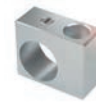
	BAM02J9 BAM MD-VS-002-0002	BAM02JA BAM MD-VS-002-0003	BAM02JC BAM MD-VS-002-0004	
Version	Holder	Stand	Positioning	
Application	for table or wall mount	Tripod holder with continuous read function	Height adjustable positioning	
Use	for BVS HS-P	for BVS HS-P	for BVS HS-P	
Material	ABS	ABS powder coated Steel	ABS Steel	
Dimension	84 x 126 mm	98 x 318 x 150 mm	168 x 102 mm	
Mounting	Screws, Glue	Screws, Glue	hanging	
Productview	Page 458	Page 458	Page 458	



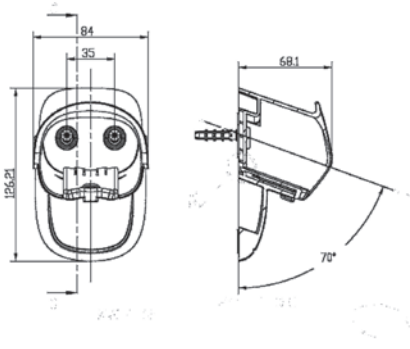
	BAM01YP BMS CS-M-S25-DX15-00	BAM02ZU BMS CU-M-S25-D030-01	BAM01YT BMS CUJ-M-S25-D045-00	
Version	Quick-change plate	Holder, quick-change plate	3D holder system	
Application	Adapter	for mounting profiles, for quick-change plate	for mounting profiles, with orientation in rotational position and angle orientation, for quick-change plate	
Use	for BVS ...-E, for Smart-Camera BVS SC, for connection plate VESA 75/100, for 3D holding system, for holding of the quick-change plate	for BVS ...-E, for Smart-Camera BVS SC	for BVS ...-E, for Smart-Camera BVS SC	
Material	Naturally anodized aluminum	Naturally anodized aluminum	Naturally anodized aluminum	
Dimension	55 x 7.5 x 60 mm	15.1 x 60 x 60 mm	60 x 84 x 60 mm	
Mounting	Screws, terminals	Screws	Screws, terminals	
Productview	Page 459	Page 459	Page 459	



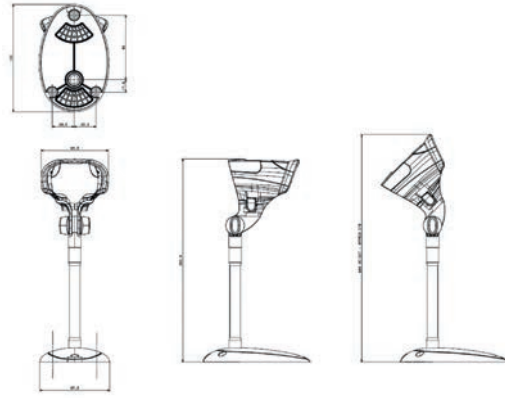
	BAM02Y8 BAM MD-VS-002-0005	BAM02Y9 BAM MD-VS-002-0006	BAM02ZW BAM MB-MS-038-B19-1	BAM01AC BAM MB-XA-003-B03-1	BAM01TK BMS CS-M-D12-IX13-01
	Stand	Holder for table/wall mount	Mounting brackets	Holder	Holder
	Tripod holder with continuous read function	—	—	—	for protective housing BVS
	for BVS HS-Q	for BVS HS-Q	for BVS ...-E, for Smart-Camera BVS SC	for BVS ...-E	for BVS ...-E
	ABS Steel	ABS	Naturally anodized aluminum	Naturally anodized aluminum	Stainless steel (1.4301)
	100 x 160 mm	75 x 115 mm	3 x 60 x 80 mm	106 x 50 x 75 mm	172 x 34 x 65 mm
	Screws, Glue	Screws, Adhesive	Screws, terminals	Screws, Clamps	Screws, terminals
	Page 458	Page 458	Page 458	Page 458	Page 458



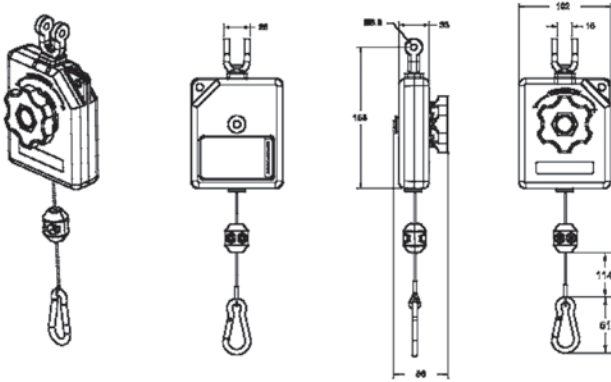
	BAM00WN BVS Z-MB-01	BAM02P7 BAM MB-VS-026-B14-1	BAM01AE BAM MB-XA-002-B02-1	BAM027R BAM MB-XA-018-B11-4	BAM02ML BAM MC-XA-042-D20,0-1
	Mounting brackets	Mounting brackets	Mounting brackets	Connection pieces	Holder
	for wall mount, for mounting system BMS	for ring light BAE	for mounting system BMS	for wall mount, for mounting profiles	for wall mount, for mounting profiles
	for BVS ...-E	for BVS SC-..	for line light BAE	for line light BAE	for machine light Ø20 mm
	Stainless steel	Naturally anodized aluminum	Naturally anodized aluminum	Stainless steel	Naturally anodized aluminum
	74 x 47 x 51 mm	110 x 3 x 64 mm	61 x 40 x 43 mm	23.5 x 19.5 x 23.5 mm	15 x 29 x 35 mm
	Screws, Clamps	Screws	Screws, terminals	Screws	Screws, terminals
	Page 459	Page 459	Page 459	Page 459	Page 459



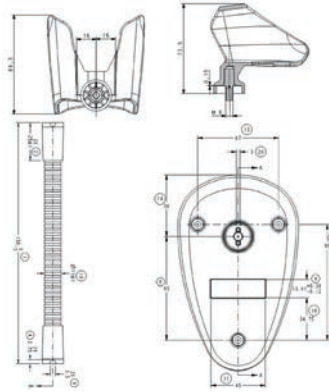
BAM02J9



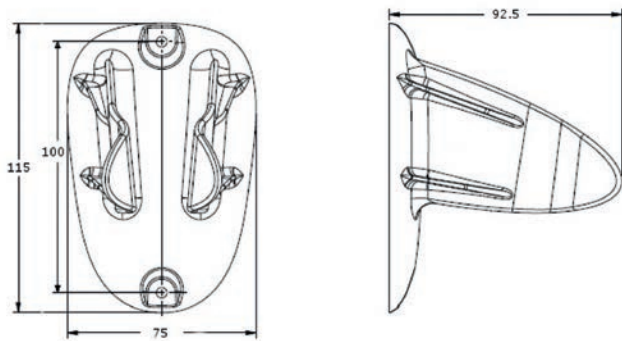
BAM02JA



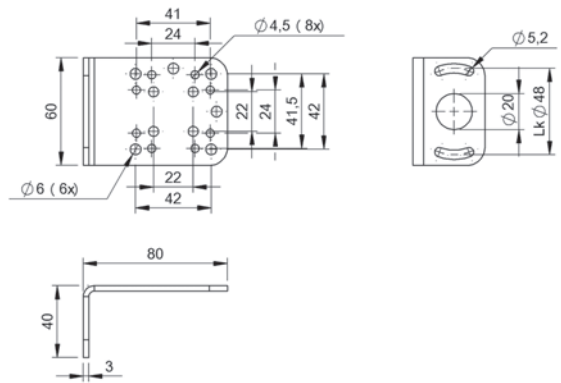
BAM02JC



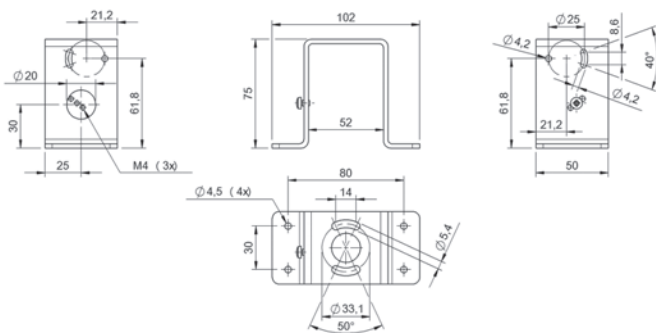
BAM02Y8



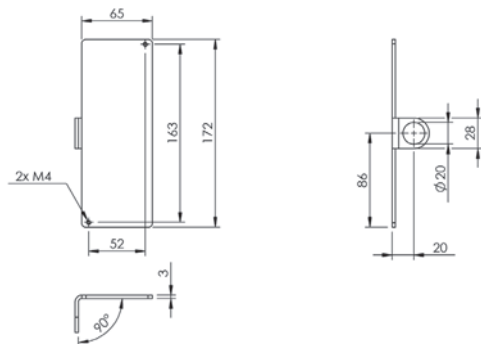
BAM02Y9



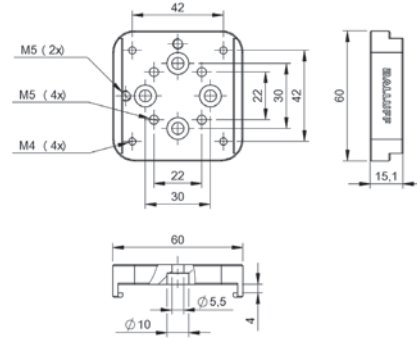
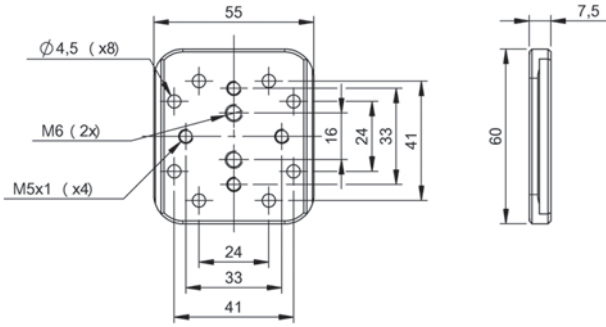
BAM02ZW



BAM01AC

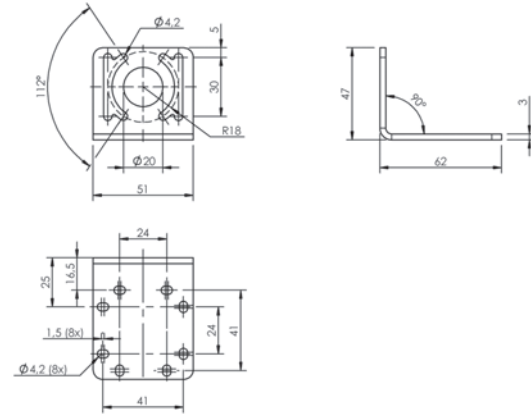
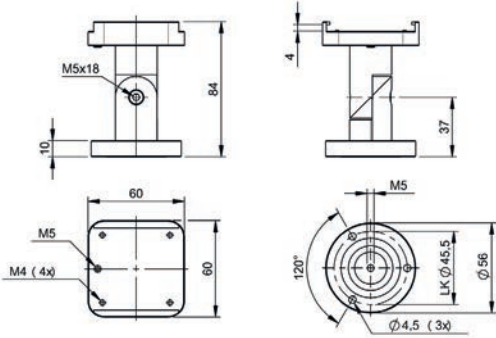


BAM01TK



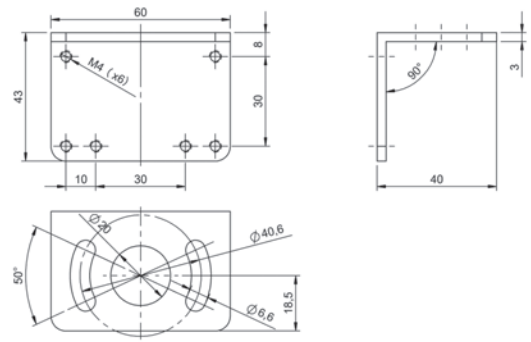
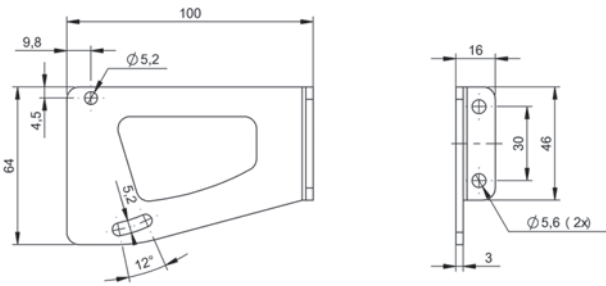
BAM01YP

BAM02ZU



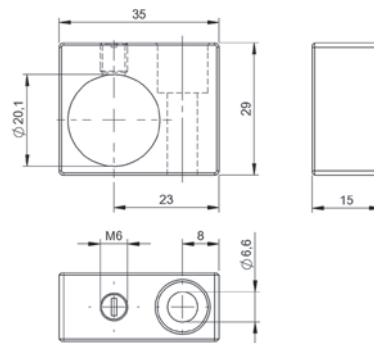
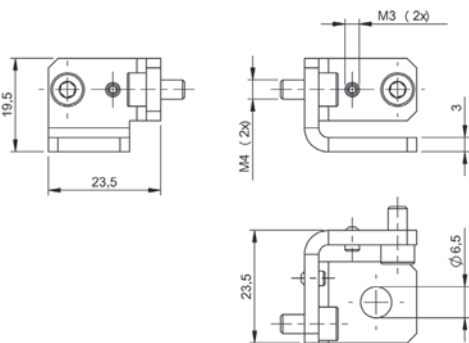
BAM01YT

BAM00WN



BAM02P7

BAM01AE



BAM027R

BAM02ML



	BAM0127 BIS C-122-AD-1	BAM0128 BIS C-122-AD-2	BAM01LW BIS Z-SP-003	
Principle of operation	Adapter BIS	Adapter BIS	Spacer ring, piece	
Use	Mounting adapter for data carriers BIS C-122	Mounting adapter for data carriers BIS C-122	Mounting set and spacer for data carriers BIS U-100	
Material	PA 6	PA 6	PA GF	
Dimension	Ø 11.6 x 8 mm	Ø 11.6 x 6 mm	Ø 10 x 10 mm	
Mounting	Screws	—	Screws	
Ambient temperature	—	—	-40...70 °C	
Ambient temperature	—	—	-40...70 °C	
Productview	Page 464	Page 464	Page 464	



	BAM012H BIS L-203-ZH1	BAM012L BIS Z-HW-001	BAM01FT BIS Z-HW-002	
Principle of operation	Holding RFID system	Holding RFID system	Holding RFID system	
Use	Holder for data carriers BIS L-103/203	for processor units C/L/M-600x	Holder for mounting data carriers BIS M-107	
Material	POM	Aluminum (mounting bracket) PA 6 (rail holder)	PPS GF40	
Dimension	Ø 16 x 18 mm	100 x 50 mm	Ø 30 x 13.7 mm	
Mounting	Clamps	Mounting rail, DIN rail	Screws	
Ambient temperature	-25...85 °C	0...70 °C	0...70 °C	
Ambient temperature	-25...85 °C	0...70 °C	0...70 °C	
Productview	Page 465	Page 465	Page 465	



	BAM020R BIS Z-SP-004	BAM01MY BAM MB-XA-010-B07-4	BAM02PN BAM MB-XA-027-B15-4	BAM01Y3 BAM MC-XA-018-B04-4	BAM012E BIS C-108-MF-01
	Spacer ring, piece	Holding RFID system	Holding RFID system	Holding RFID system	Holding RFID system
	Mounting set and spacer for high-temperature data carriers	Mounting bracket for read/write heads for Bosch TS1 and TS2	Mounting bracket for BIS M-400x	Mounting bracket for read/write heads BIS VM-3xx	Mounting plate for BIS C-108
	Ceramic	Stainless steel (1.4301)	Stainless steel (1.4401)	Stainless steel (1.4310)	Aluminum
	Ø 25.4 x 25.4 mm	105 x 14 x 32 mm	86 x 2.5 x 35 mm	78.2 x 11.8 x 34.8 mm	100 x 5 mm
	Screws	Screw M4	Screws, terminals	Screws	Screws
	-40...240 °C	—	—	—	-30...70 °C
	-40...240 °C	—	—	—	-30...70 °C
	Page 464	Page 464	Page 464	Page 464	Page 464



	BAM01JK BIS Z-HW-003	BAM01KN BIS Z-HW-004	BAM0336 BIS Z-HW-008	BAM0337 BIS Z-HW-009	BAM012M BIS Z-MP-001
	Holding RFID system	Holding RFID system	Holding RFID system	Holding RFID system	Holding RFID system
	Holder for installing antennas BIS U-3xx	Fixing for signal converters BIS U-602x	Holder for mounting data carriers BIS M-135/138	Holder for mounting data carriers BIS M-134/137	Metal mounting plate for data carriers BIS M-15x
	Stainless steel (1.4571)	Aluminum, black	PPS, black	PPS, black	Stainless steel (1.4310)
	121 x 57 mm	106 x 43 x 4.6 mm	86 x 39.5 x 63 mm	86 x 39.5 x 63 mm	40 x 0.4 mm
	Screws	Screws	Screws	Screws	—
	—	—	-25...240 °C	-25...240 °C	-30...70 °C
	—	—	-25...240 °C	-25...240 °C	-30...70 °C
	Page 465	Page 465	Page 465	Page 465	Page 465



	BAM012N BIS Z-ZA-001	BAM012A BIS C-300-HG1	BAM012J BIS Z-HG-002	
Principle of operation	Access protection	Handle	Handle	
Use	Fixing for signal converters BIS U-602x	Socket for read/write heads Ø 14,5 mm	Socket for read/write heads Ø 18 mm	
Material	PA 6.6 black (nut) POM black (holder)	POM black	POM black	
Dimension	Ø 40 x 45 mm	Ø 14.5 x 120 mm	Ø 40 x 125 mm	
Mounting	Thread M30x1.5	—	—	
Ambient temperature	0...70 °C	0...70 °C	0...70 °C	
Ambient temperature	0...70 °C	0...70 °C	0...70 °C	
Productview	Page 466	Page 466	Page 466	



BAM012K BIS Z-HG-003				
Handle				
Socket for read/write heads Ø 30 mm				
POM black				
Ø 40 x 125 mm				
—				
0...70 °C				
0...70 °C				
Page 466				

Sensors

RFID

Machine Vision and
Optical Identification

Human Machine
Interfaces

Systems

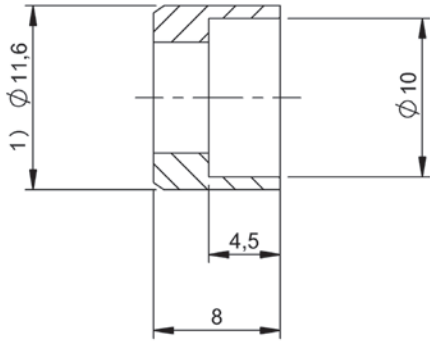
Safety

Industrial Networking

Power Supply

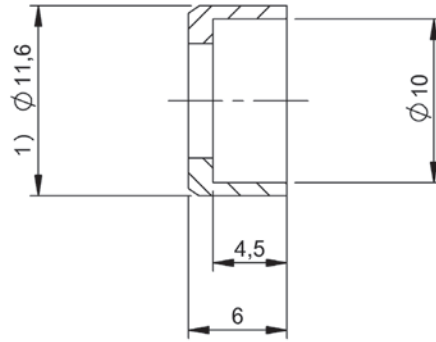
Connectivity

Accessories



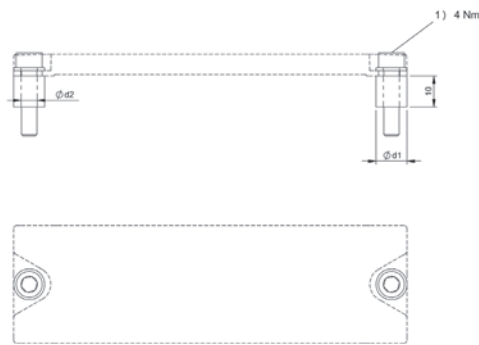
1) see remarks

BAM0127



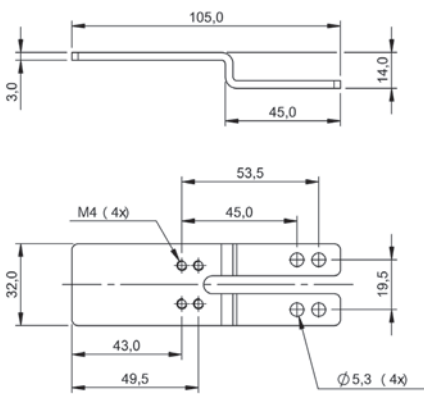
1) see remarks

BAM0128

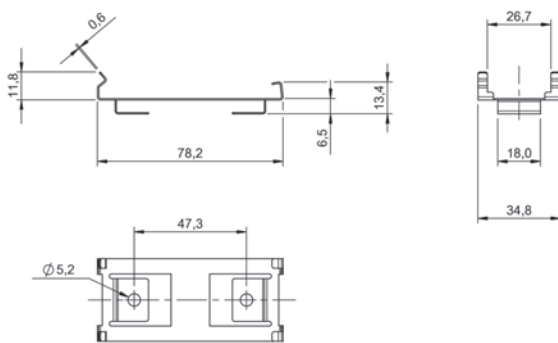


1) Tightening torque

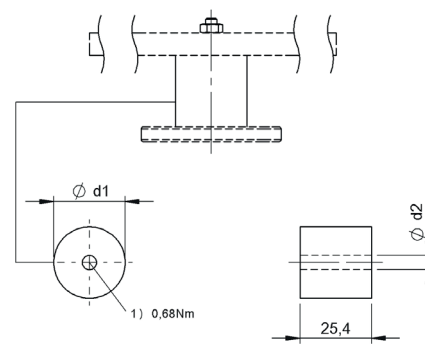
BAM01LW



BAM01MY

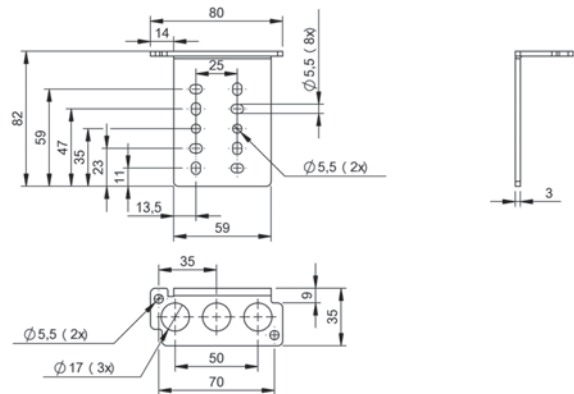


BAM01Y3

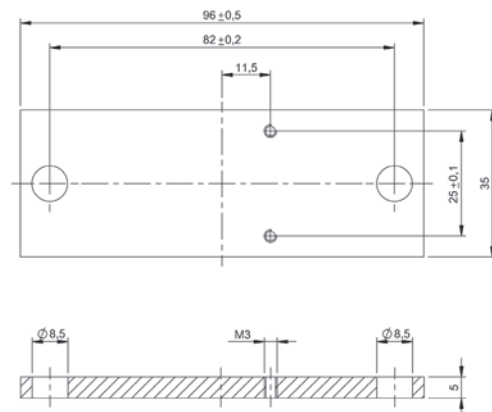


1) Tightening torque

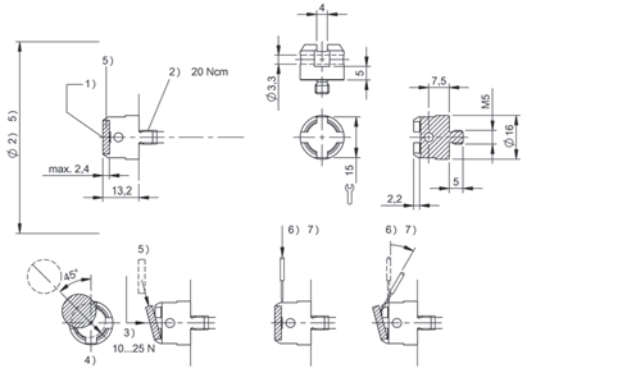
BAM020R



BAM02PN

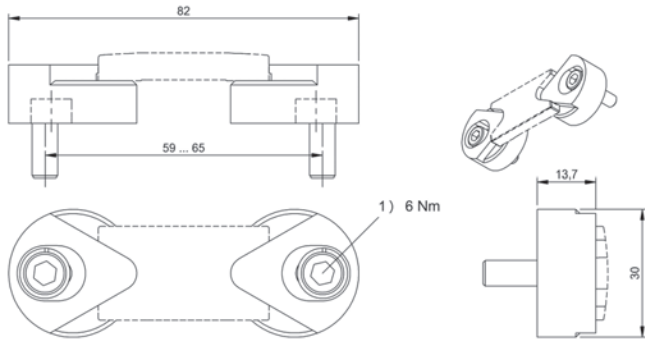


BAM012E



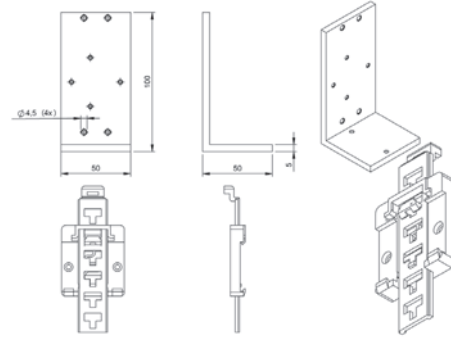
1) Sensing surface, 2) Tightening torque, 3) see remarks, 4) Data carrier installation, 5) Data carrier, 6) Caution: Protect eyes, 7) Replace data carrier

BAM012H

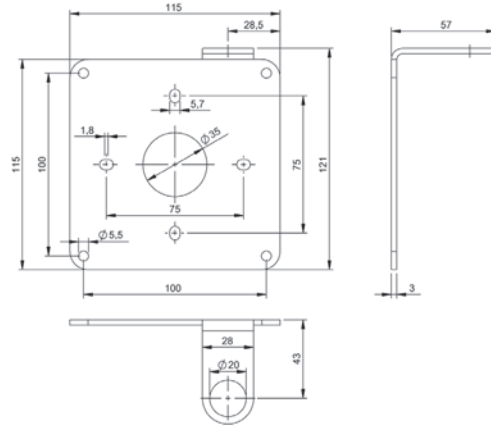


1) Tightening torque

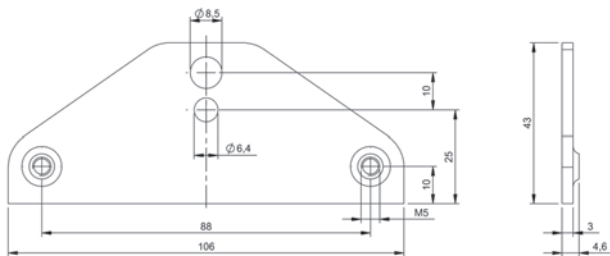
BAM012L



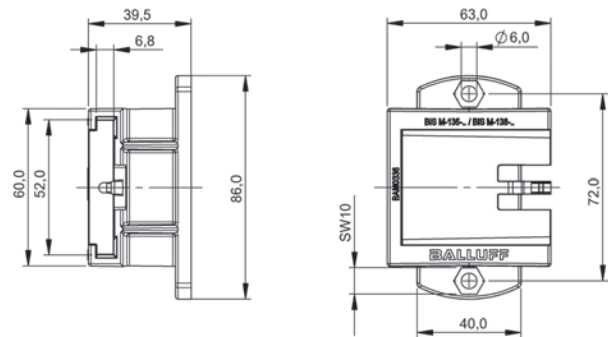
BAM012L



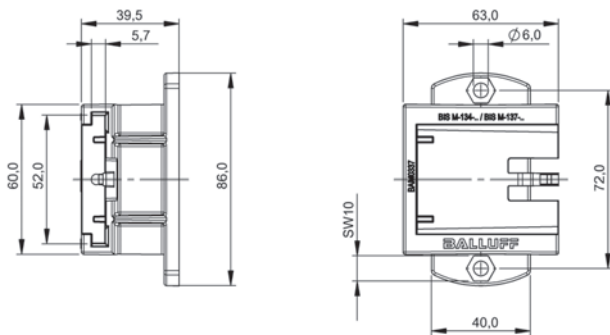
BAM012L



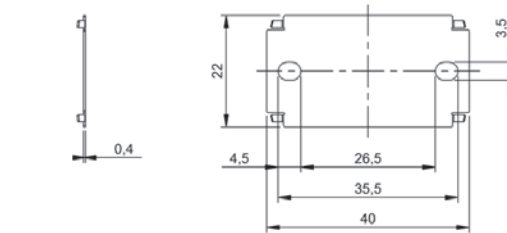
BAM01FT



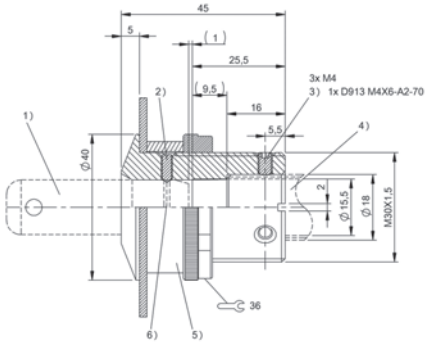
BAM01JK



BAM0336



BAM0337



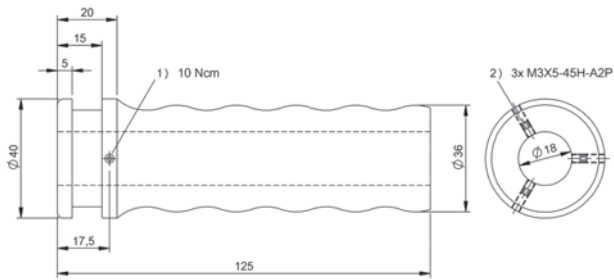
1) Data carrier, 2) Spring-loaded compression piece, 3) Threaded pin, 4) Read/write head, 5) Spacer ring, 6) Notch in data carrier

BAM012N



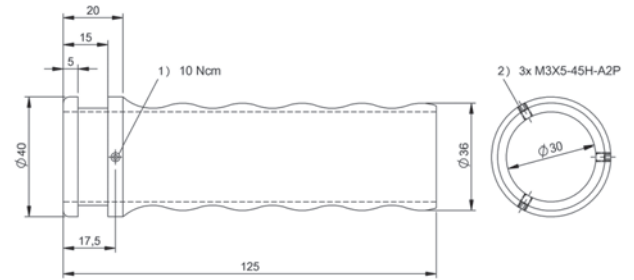
1) Tightening torque, 2) Threaded pin

BAM012A



1) Tightening torque, 2) Threaded pin

BAM012J



1) Tightening torque, 2) Threaded pin

BAM012K



	BAM02NM BAM BD-LG-003-0900	BAM02NN BAM BD-LG-003-1200	BAM02NP BAM BD-LG-003-1650	
Principle of operation	Tilted mirror	Tilted mirror	Tilted mirror	
Use	For floor mount of safety light curtain BLG	For floor mount of safety light curtain BLG	For floor mount of safety light curtain BLG	
Material	Glass painted yellow Steel	Glass painted yellow Steel	Glass painted yellow Steel	
Dimension	880 x 36 x 89 mm	1180 x 36 x 89 mm	1630 x 36 x 89 mm	
Mounting	Screws	Screws	Screws	
Productview	Page 472	Page 472	Page 472	



	BAM02NF BAM MB-LG-024-1000-1	BAM02NH BAM MB-LG-024-1200-1	BAM02NJ BAM MB-LG-024-1650-1	
Principle of operation	Holding Safety Light Curtains	Holding Safety Light Curtains	Holding Safety Light Curtains	
Use	For safety light curtain BLG	For safety light curtain BLG	For safety light curtain BLG	
Material	Steel painted yellow Aluminum	Steel painted yellow Aluminum	Steel painted yellow Aluminum	
Dimension	1018 x 195 x 195 mm	1218 x 195 x 195 mm	1668 x 195 x 195 mm	
Mounting	Screws	Screws	Screws	
Productview	Page 472	Page 473	Page 473	



	BAM02NR BAM BD-LG-003-1900	BAM02N6 BAM IA-XA-017-01	BAM02N7 BAM IA-XA-017-02	BAM02NC BAM MB-LG-023-B13-3	BAM02NE BAM MB-LG-024-0600-1
	Tilted mirror	Accessories Safety Light Curtains	Accessories Safety Light Curtains	Accessories Safety Light Curtains	Holding Safety Light Curtains
	For floor mount of safety light curtain BLG	For safety light curtain BLG	For safety light curtain BLG	For safety light curtain BLG	For safety light curtain BLG
	Glass painted yellow Steel	Rubber, Shore hardness 57	Rubber, Shore hardness 57	Steel zinc plated	Steel painted yellow Aluminum
	1880 x 36 x 89 mm	Ø 25 x 20 mm	Ø 25 x 20 mm	35 x 29.7 x 39.6 mm	618 x 195 x 195 mm
	Screws	Screws	Screws	Screws	Screws
	Page 472	Page 472	Page 472	Page 472	Page 472



	BAM02NK BAM MB-LG-024-1900-1	BAM02N2 BAM MC-LG-036-T01-3	BAM02MZ BAM MC-LG-037-B07-3	BAM02NO BAM MC-LG-038-B07-01-3	BAM02N1 BAM MC-LG-038-B07-02-3
	Holding Safety Light Curtains	Accessories Safety Light Curtains	Accessories Safety Light Curtains	Accessories Safety Light Curtains	Accessories Safety Light Curtains
	For safety light curtain BLG	For safety light curtain BLG	For safety light curtain BLG	For safety light curtain BLG	For safety light curtain BLG
	Steel painted yellow Aluminum	Steel zinc plated	Steel zinc plated	Anodized aluminum	Anodized aluminum
	1918 x 195 x 195 mm	70 x 195 x 41 mm	34.5 x 37.8 x 30.7 mm	34.5 x 195 x 12 mm	34.5 x 195 x 12 mm
	Screws	Screws, terminals	Screws, terminals	Screws	Clamps
	Page 473	Page 473	Page 473	Page 473	Page 473



	BAM02N3 BAM MC-LG-040-B08-3	BAM02N5 BAM MC-LG-041-B07-3-L	BAM02N4 BAM MC-LG-041-B07-3-S	
Principle of operation	Accessories Safety Light Curtains	Accessories Safety Light Curtains	Accessories Safety Light Curtains	
Use	For safety light curtain BLG	For safety light curtain BLG	For safety light curtain BLG	
Material	Steel zinc plated	Steel zinc plated	Steel zinc plated	
Dimension	50 x 195 x 195 mm	34.5 x 30 x 26.5 mm	34.5 x 30 x 26.5 mm	
Mounting	Screws	Screws, terminals	Screws, terminals	
Productview	Page 473	Page 473	Page 473	



BAM02P9 BAM TO-LG-011-14	BAM02PA BAM TO-LG-011-30			
Test rod Safety Light Curtains	Test rod Safety Light Curtains			
For safety light curtain BLG	For safety light curtain BLG			
Aluminum anodized, black	Aluminum anodized, black			
Ø 14 x 300 mm	Ø 30 x 300 mm			
—	—			
Page 474	Page 474			

Sensors

RFID

Machine Vision and
Optical Identification

Human Machine
Interfaces

Systems

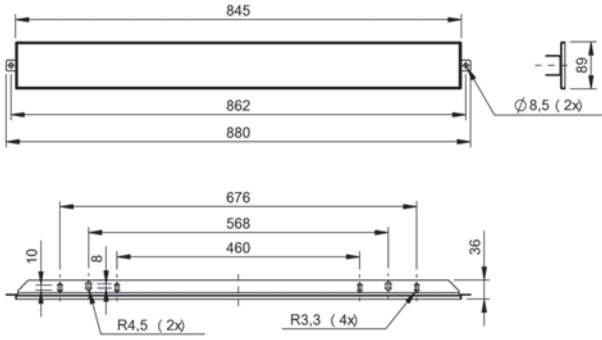
Safety

Industrial Networking

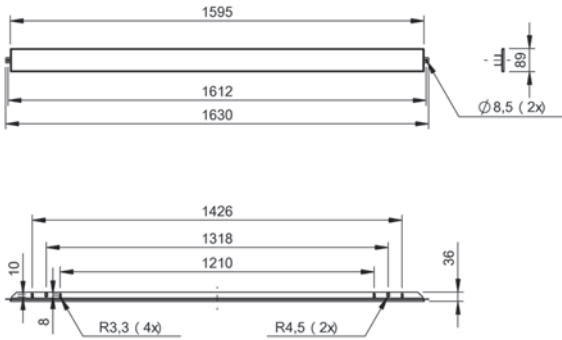
Power Supply

Connectivity

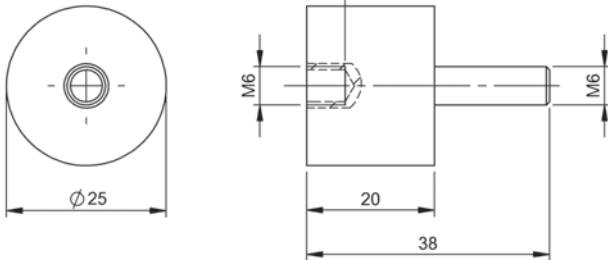
Accessories



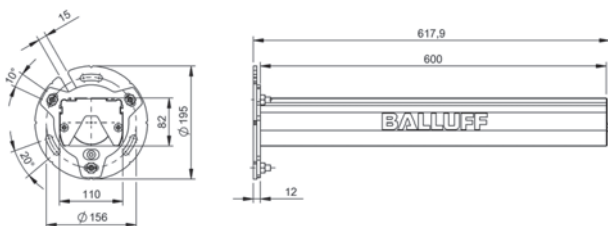
BAM02NM



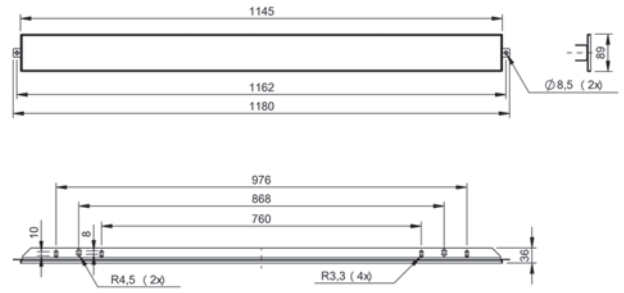
BAM02NP



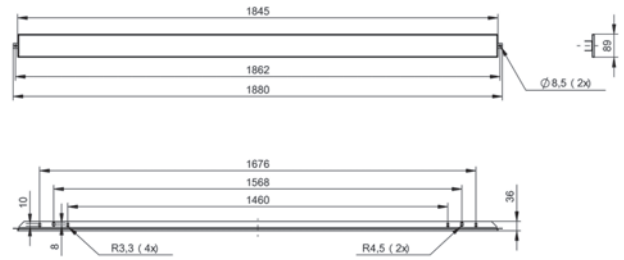
BAM02N6, BAM02N7



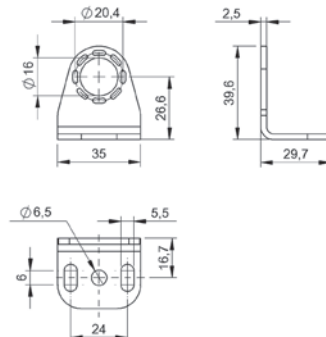
BAM02NE



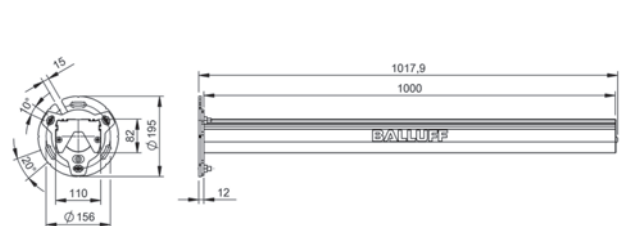
BAM02NN



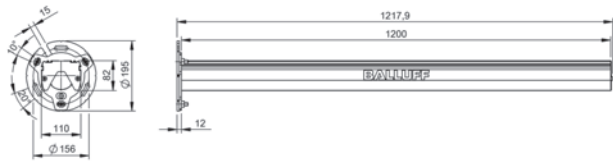
BAM02NR



BAM02NC



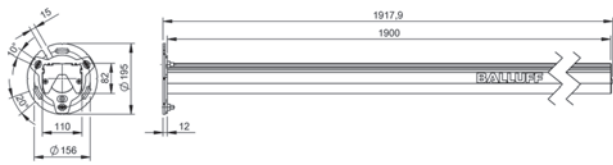
BAM02NF



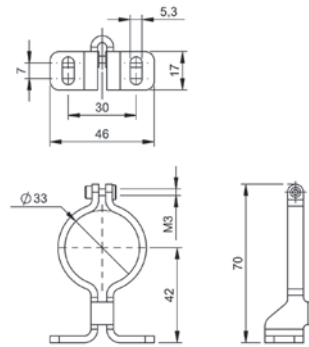
BAM02NH



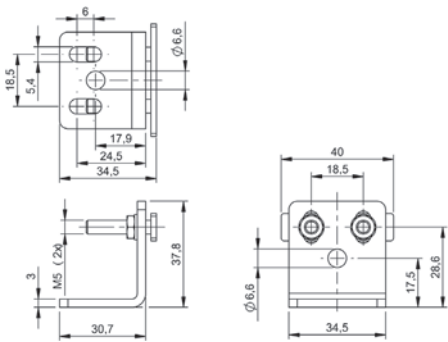
BAM02NJ



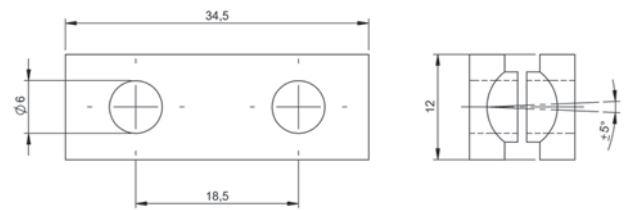
BAM02NK



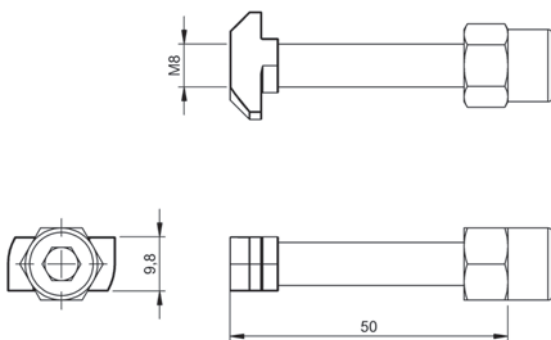
BAM02N2



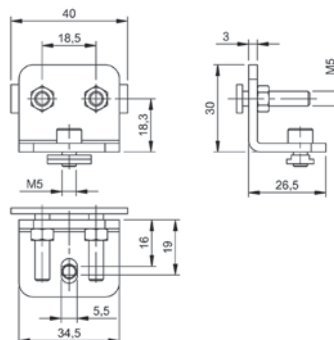
BAM02MZ



BAM02N0, BAM02N1



BAM02N3



BAM02N5, BAM02N4



BAM02P9



BAM02PA



	BAM02HE BAM MB-XA-021-B12-4	BAM02HF BAM MB-XA-022-B12-4	BAM02UY BAM MB-X0-028-B37-3	
Version	Mounting brackets	Mounting brackets	Mounting brackets	
Use	For BLA Light Array	For BLA Light Array	For photoelectric sensors BOD 37M	
Material	Stainless steel (1.4301)	Stainless steel (1.4301)	Steel zinc plated	
Dimension	80 x 78 x 75 mm	80 x 38 x 75 mm	118 x 2.5 x 75 mm	
Mounting	Screws	Screws	Screws	
Productview	Page 482	Page 482	Page 482	



	BAM00RY BOS 18,0-HW-1	BAM00TO BOS 18,0-HW-3	BAM00T2 BOS 18,0-HW-6	
Version	Mounting brackets, 2 adjustable axes	Mounting brackets, 2 adjustable axes	Mounting brackets, 3 adjustable axes	
Use	For photoelectric sensors BOS 18	For photoelectric sensors BOS 11Kfor photoelectric sensors BOS 16Kfor photoelectric sensors BOS 18	For photoelectric sensors BOS 11Kfor photoelectric sensors BOS 16Kfor photoelectric sensors BOS 18	
Material	Steel zinc plated	Steel zinc plated	Steel zinc plated	
Dimension	20 x 35 x 35 mm	25 x 43 x 32 mm	42 x 50 x 50 mm	
Mounting	Screws	Screws	Screws	
Productview	Page 483	Page 483	Page 483	



BAM00P8 BOD 63-SH-3	BAM037F BMS AD-M-005-D12/X01	BAM037H BMS AD-M-005-D12/X02	BAM037R BMS AD-M-005-D12/X03	BAM00PT BOS 11-HW-1
Mounting brackets, Optical filter	Adjusting unit	Adjusting unit	Adjusting unit	Mounting brackets
For photoelectric sensors BOD 63M	For photoelectric sensors BOS 5K for photoelectric sensors BOS 6K for photoelectric sensors BOS R020	For photoelectric sensors BOS 21M for photoelectric sensors BOS 23K for photoelectric sensors BOS Q08	For sensors and fiber optics Ø2 for sensors and fiber optics Ø3 for sensors and fiber optics Ø4 for sensors and fiber optics Ø5 for photoelectric sensors BOH Q06 for photoelectric sensors BOH R002 for photoelectric sensors BOH R010 for photoelectric sensors BOH Z001	For photoelectric sensors BOS
Steel zinc plated chrome-plated	Aluminum anodized, natural Nickel-plated brass	Aluminum anodized, natural Nickel-plated brass	Aluminum anodized, natural Nickel-plated brass	Stainless steel
35 x 73 x 59 mm	33 x 12.5 x 92 mm	50 x 12.5 x 116 mm	28 x 14.5 x 98 mm	32 x 45.5 x 66.6 mm
Screws	Screws, terminals	Screws, terminals	Screws, terminals	Screws
Page 482	Page 482	Page 482	Page 482	Page 482



BAM01YW BAM MB-XA-013-Q08-4	BAM00T4 BOS 2-HW-1	BAM00T5 BOS 2-HW-2	BAM00T6 BOS 2-HW-3	BAM00U5 BOS 5-HW-1
Mounting brackets, 2 adjustable axes	Mounting brackets, 3 adjustable axes	Mounting brackets, 2 adjustable axes	Mounting brackets, 2 adjustable axes	Mounting brackets, 2 adjustable axes
For photoelectric sensors BOS Q08M	For photoelectric sensors BOS 2K	For photoelectric sensors BOS 2K	For photoelectric sensors BOS 2K	For photoelectric sensors BOS 5K
Stainless steel (1.4301)	ABS	Steel zinc plated	Steel zinc plated	Stainless steel
50 x 14 x 18 mm	17.5 x 25 x 44.7 mm	11 x 17 x 36 mm	11 x 24 x 18 mm	14 x 21.5 x 42.5 mm
Screws	Screws	Screws	Screws	Screws
Page 483	Page 483	Page 483	Page 483	Page 483



	BAM00U6 BOS 5-HW-2	BAM00U7 BOS 5-HW-3	BAM00UF BOS 5-HW-9	
Version	Mounting brackets, 1 adjustable axis	Mounting brackets, 2 adjustable axes	Mounting brackets	
Use	For photoelectric sensors BOS 5K	For photoelectric sensors BOS 5K	For photoelectric sensors BOS 5K	
Material	Stainless steel	Stainless steel	Steel zinc plated	
Dimension	21.5 x 55.2 x 12.7 mm	29 x 56 x 46 mm	29 x 56 x 65 mm	
Mounting	Screws	Screws	Screws	
Productview	Page 484	Page 484	Page 484	



	BAM0304 BMS CS-M-D12-S6K-01	BAM0305 BMS CS-M-D12-S6K-03	BAM00UH BOS 6-HW-1	
Version	Holder	Holder	2 adjustable axes	
Use	For photoelectric sensors BOS 6K	For photoelectric sensors BOS 6K	For photoelectric sensors BOS 6K	
Material	Die-cast zinc	Die-cast zinc Stainless steel (1.4301)	Steel zinc plated	
Dimension	Ø 32 x 16 mm	Ø 32 x 16 mm	14 x 30 x 20 mm	
Mounting	Screws, terminals	Screws, terminals	Screw M3	
Productview	Page 485	Page 485	Page 485	



	BAM0227 BAM MB-X0-014-B10-4-BLS	BAM0228 BAM MB-X0-014-B10-4-RLS	BAM0225 BAM MB-X0-014-B10-4-RRR	BAM022A BAM MC-X0-030-6K-4	BAM0306 BMS CS-M-D12-FX18-02
	Mounting brackets	Mounting brackets	Mounting brackets	Mounting brackets	Mounting block
	For photoelectric sensors BOS 6K	For photoelectric sensors BOS 6K	For photoelectric sensors BOS 6K	For photoelectric sensors BOS 6K	For holding rods with Ø12 mm for photoelectric sensors BOS 23K
	Stainless steel (1.4301)	Stainless steel (1.4301)	Stainless steel (1.4301)	Aluminum anodized	Die-cast zinc
	76.4 x 16.2 x 30 mm	60 x 16.2 x 47 mm	60 x 33.2 x 32 mm	32 x 16.2 x 16 mm	12 x 24 x 37 mm
	Screws	Screws	Screws	Screws	Screws, terminals
	Page 484	Page 484	Page 484	Page 484	Page 484



	BAM02ZE BAM MB-X0-032-B16-1-BR2	BAM02ZF BAM MB-X0-032-B16-1-BS1	BAM00T7 BOS 21-AD-1	BAM00T9 BOS 21-HW-1	BAM00TA BOS 21-HW-2
	Mounting brackets, 2 adjustable axes	Mounting brackets, 1 adjustable axis	Holder, 1 adjustable axis	Mounting brackets, 2 adjustable axes	Mounting brackets, 2 adjustable axes
	For photoelectric sensors BOS 21M	For photoelectric sensors BOS 21M	For photoelectric sensors BOS 25K for photoelectric sensors BOS 26K for photoelectric sensors BOS 21M for BOS R-1 reflectors	For photoelectric sensors BOS 21M	For photoelectric sensors BOS 21M
	Naturally anodized aluminum	Naturally anodized aluminum	Aluminum anodized	Steel zinc plated	Steel zinc plated
	50 x 61 x 40 mm	56 x 89.5 x 23 mm	50 x 48 x 30 mm	20 x 50 x 26.5 mm	25 x 28 x 40 mm
	Screws	Screws	Screws	Screws	Screws
	Page 485	Page 485	Page 485	Page 485	Page 485



	BAM01FK BAM MB-X0-006-B05-4	BAM01FM BAM MB-X0-007-B05-4	BAM00TK BOS 26-HW-1	
Version	Mounting brackets, 2 adjustable axes	Mounting brackets, 1 adjustable axis	Mounting brackets, 2 adjustable axes	
Use	For photoelectric sensors BOS 23K	For photoelectric sensors BOS 23K	For photoelectric sensors BOS 26K	
Material	Stainless steel	Stainless steel (1.4301)	Steel zinc plated	
Dimension	25 x 40 x 64.5 mm	44.3 x 58 x 65 mm	19 x 48 x 47.6 mm	
Mounting	Screws	Screws	Screws	
Productview	Page 486	Page 486	Page 486	

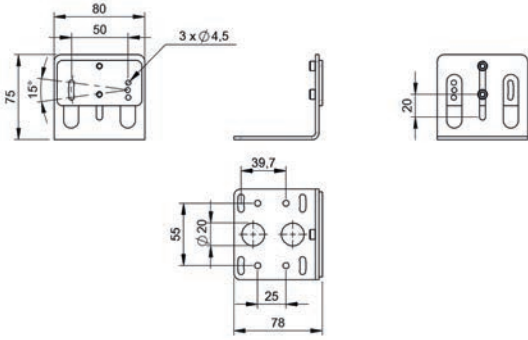


	BAM00U9 BOS 5-HW-5	BAM00UA BOS 5-HW-6	BAM027E BAM MC-X0-034-23K-4	
Version	Mounting brackets, 1 adjustable axis	Mounting brackets, 1 adjustable axis	Adjusting unit	
Use	For BOS R-26 reflectors	For BOS R-9 reflectorsfor BOS R-22 reflectors	For photoelectric sensors BOS 23K	
Material	Steel zinc plated	Steel zinc plated	Stainless steel (1.4301)	
Dimension	20 x 35 x 44.2 mm	20 x 50 x 61 mm	52.5 x 42 x 50 mm	
Mounting	Screws	Screws	Screw M4	
Productview	Page 487	Page 487	Page 487	

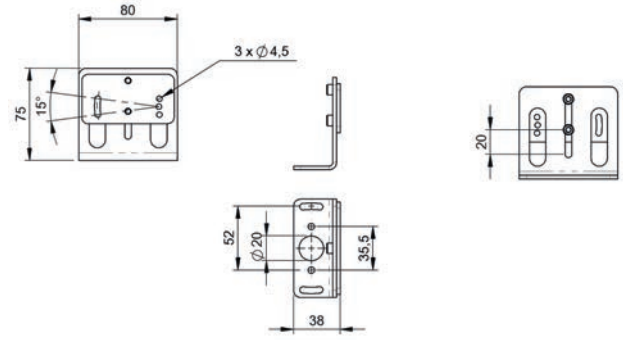


BAM00P6 BOD 63-HW-1	BAM02KL BMS CS-M-D12-B64K-12	BAM003E BMS AD-M-002-D12/D12	BAM0038 BMS AD-M-002-D12/D18	BAM00U8 BOS 5-HW-4
Mounting brackets, 2 adjustable axes	Mounting brackets	Adjusting unit	Adjusting unit	Mounting brackets, 1 adjustable axis
For photoelectric sensors BOS 63M	For photoelectric sensors BOS 64K	For sensors Ø12 mm	For sensors Ø18 mm	For BOS R-25 reflectors for BOS R-10 reflectors
Steel zinc plated	Aluminum anodized	Stainless steel (1.4301)	Stainless steel (1.4301)	Steel zinc plated
40 x 94.5 x 114.5 mm	106 x 32 x 96 mm	57 x 45 x 50 mm	57 x 45 x 50 mm	28 x 58 x 113 mm
Screw M5	Screws	Screws, terminals	—	Screws
Page 486	Page 486	Page 486	Page 486	Page 486

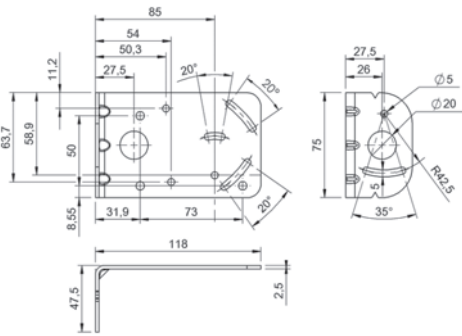
- Sensors
- RFID
- Machine Vision and Optical Identification
- Human Machine Interfaces
- Systems
- Safety
- Industrial Networking
- Power Supply
- Connectivity
- Accessories



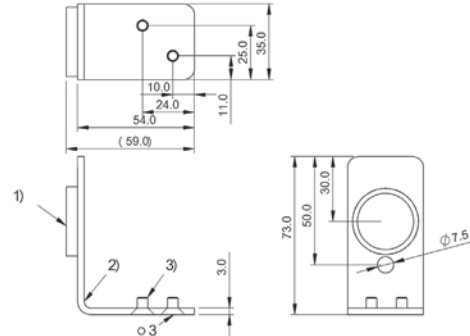
BAM02HE



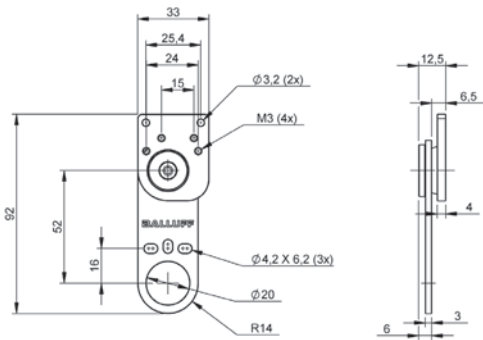
BAM02HF



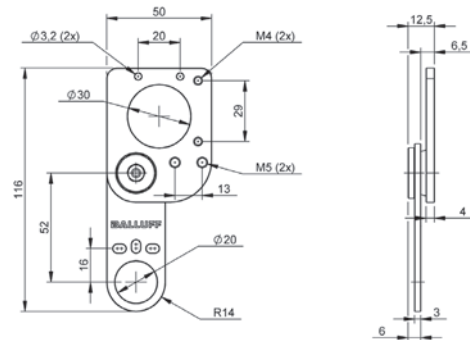
BAM02UY



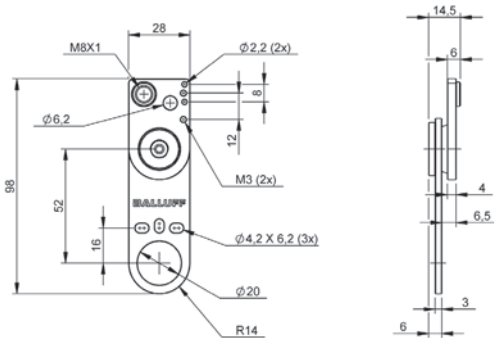
1) Optical filter, 2) Mounting bracket, 3) Screw M5, ISO 10642



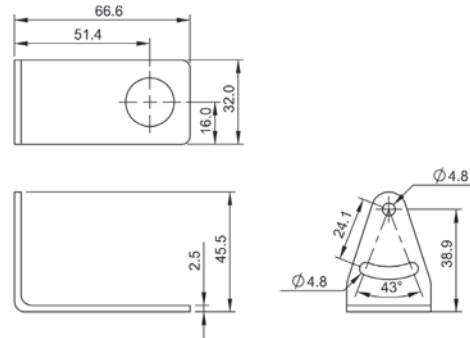
BAM00P8



BAM037F

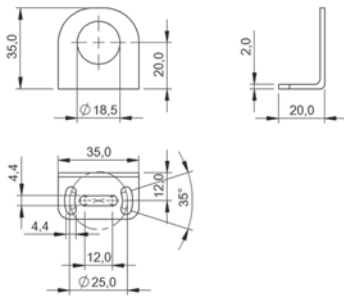


BAM037H

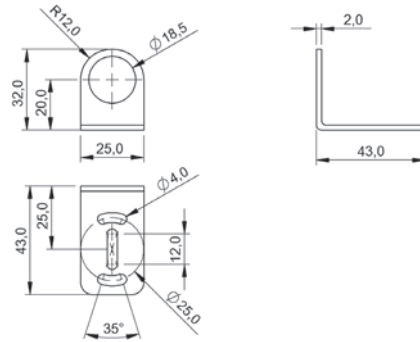


BAM037R

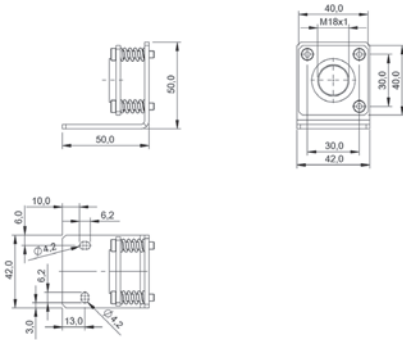
BAM00PT



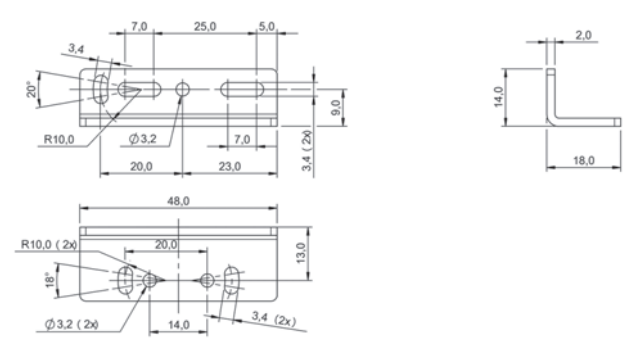
BAM00RY



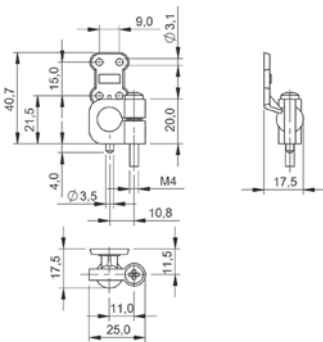
BAM00TO



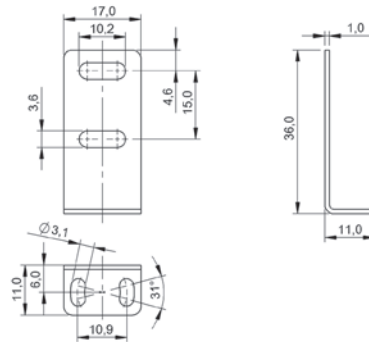
BAM00T2



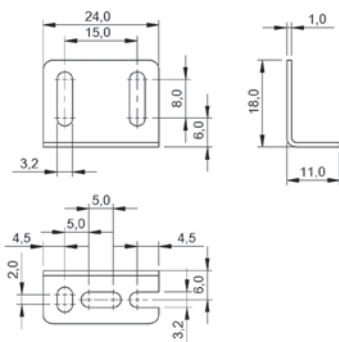
BAM00T0



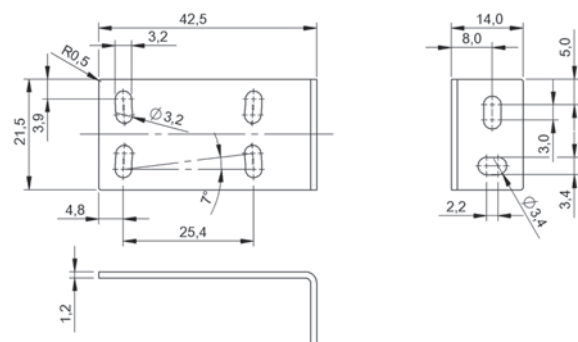
BAM00T1



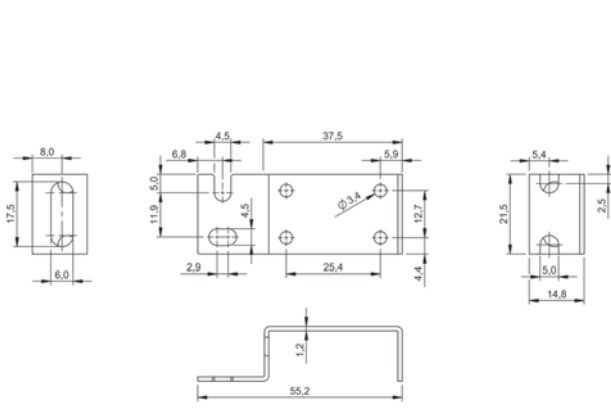
BAM00T5



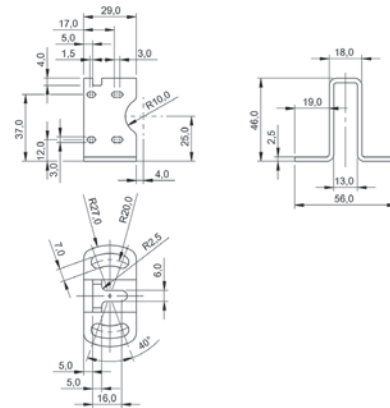
BAM00T6



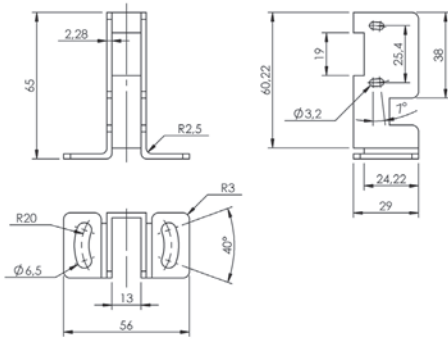
BAM00U5



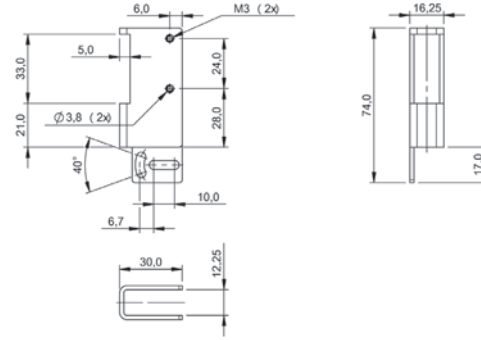
BAM00U6



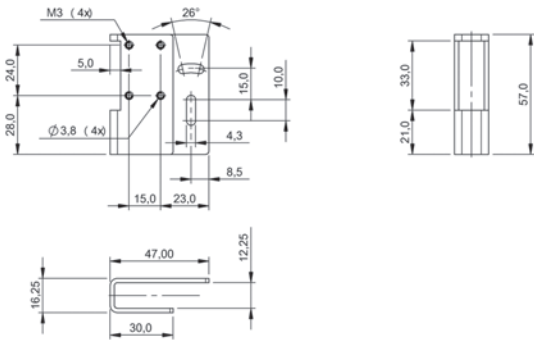
BAM00U7



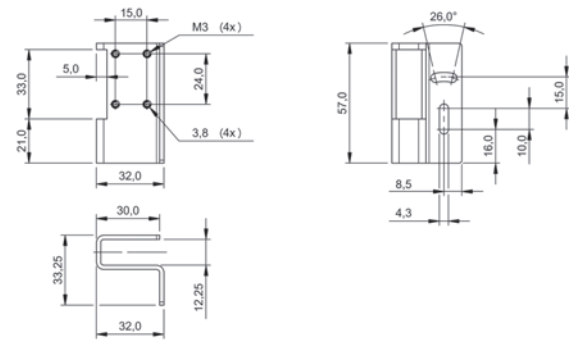
BAM00UF



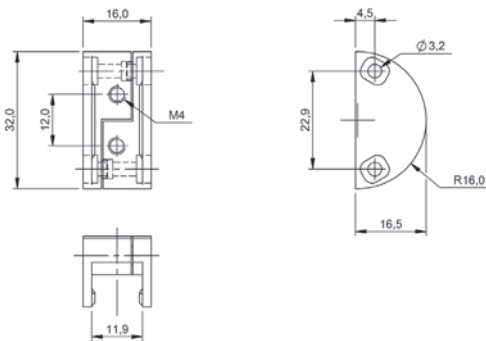
BAM0227



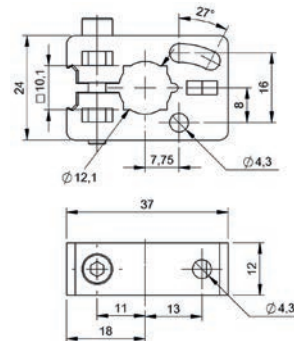
BAM0228



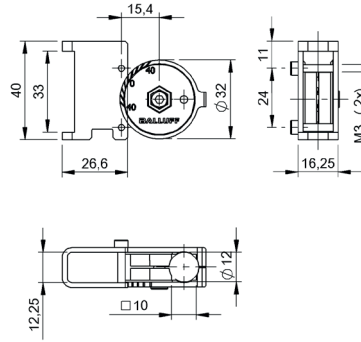
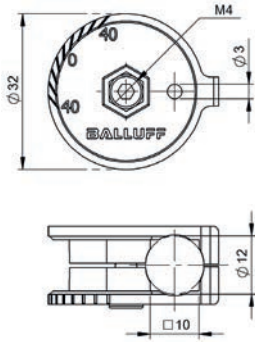
BAM0225



BAM022A

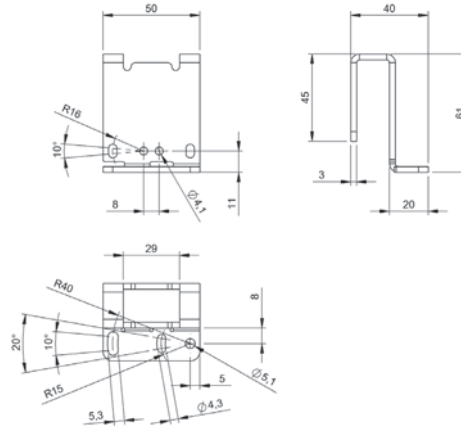
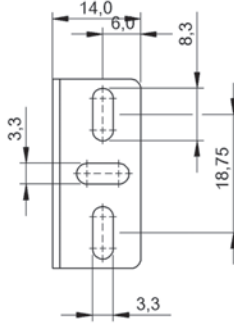
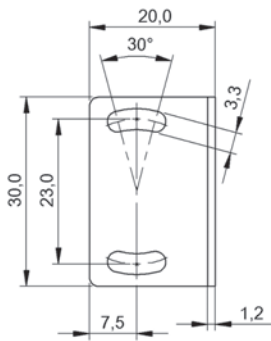


BAM0306



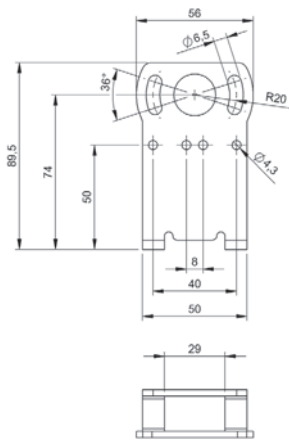
BAM0304

BAM0305

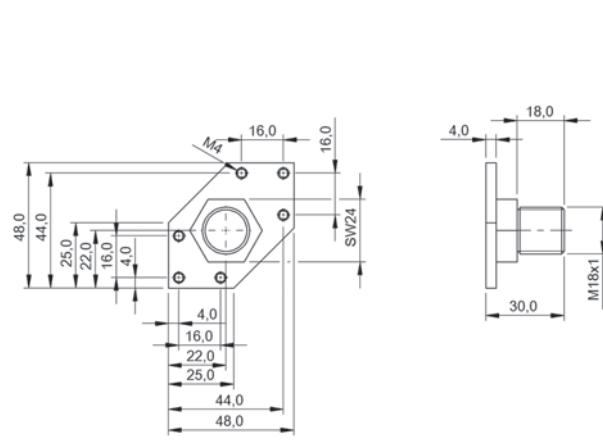


BAM0004

BAM0005

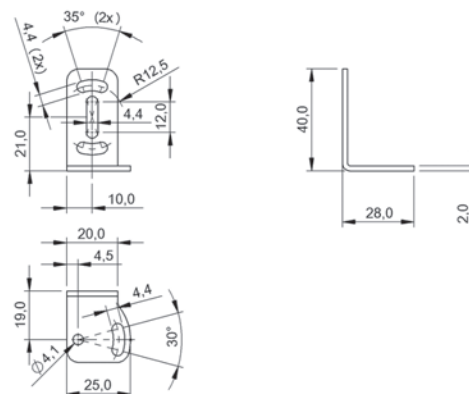
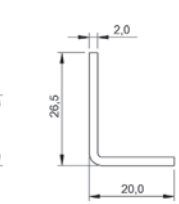
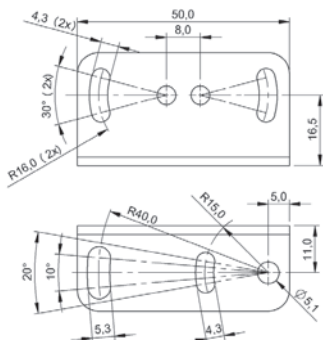


BAM002ZE



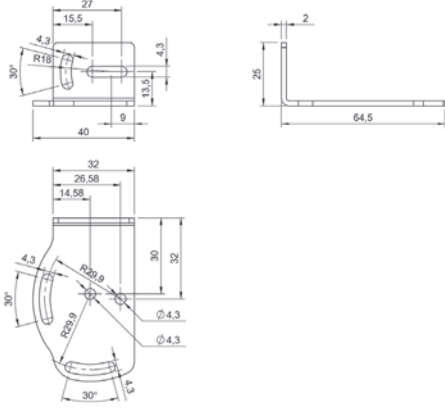
BAM002ZF

BAM0007

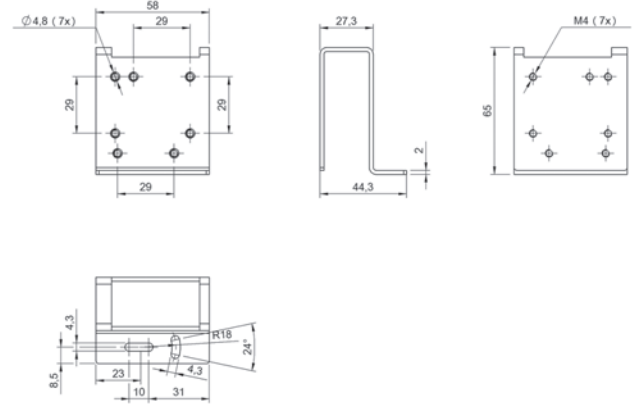


BAM0009

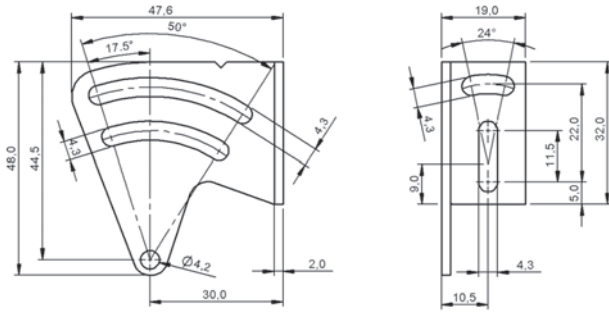
BAM000A



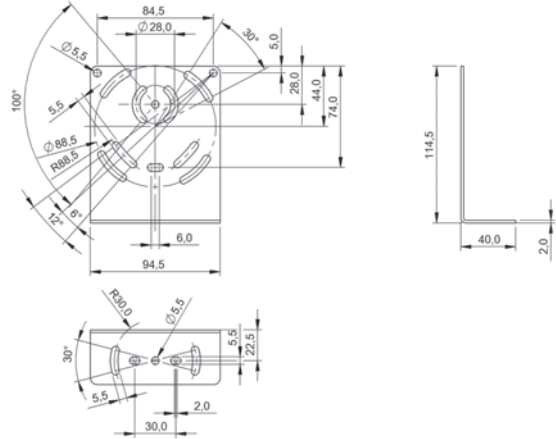
BAM01FK



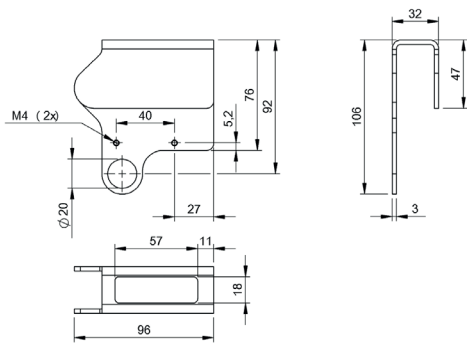
BAM01FM



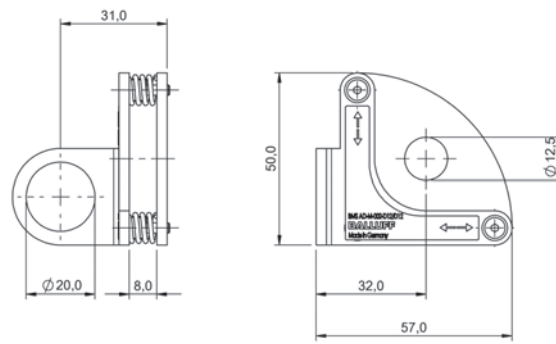
BAM00TK



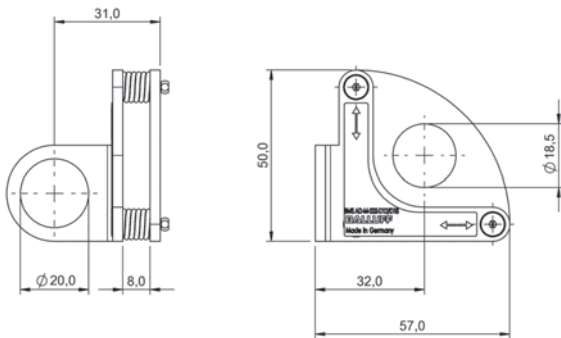
BAM00P6



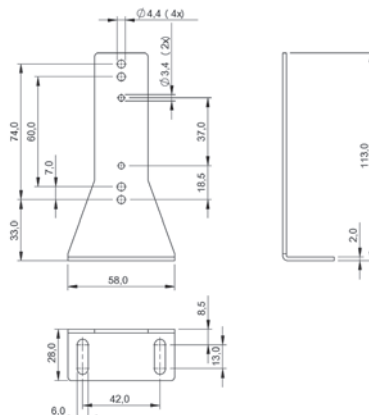
BAM02KL



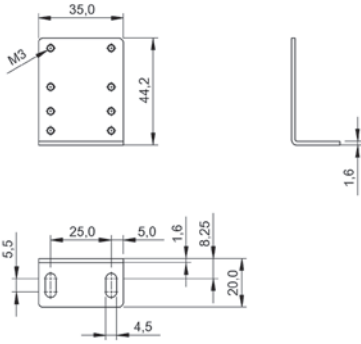
BAM003E



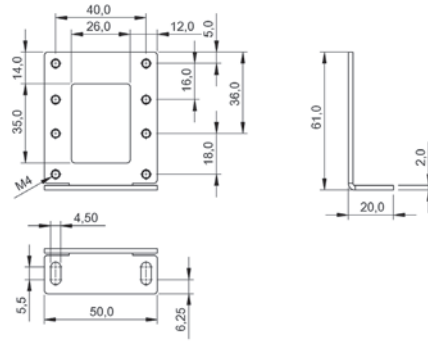
BAM0038



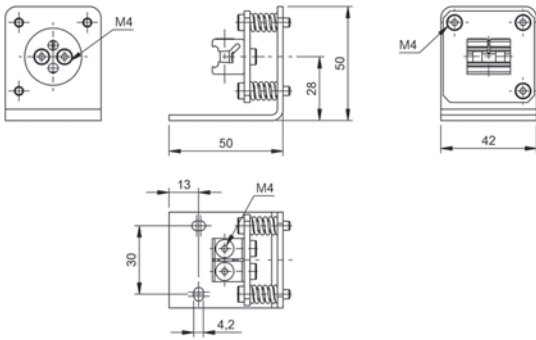
BAM00U8



BAM00U9



BAM00UA



BAM027E



	BAM01K6 BMF 103-HW-100	BAM01K7 BMF 103-HW-102	BAM00K8 BMF 103-HW-41	
Principle of operation	BMF mounting bracket	BMF mounting bracket	BMF mounting bracket	
Application	Pneumatic flat cylinder with integrated groove	Pneumatic flat cylinder with integrated groove	Pneumatic flat cylinder with integrated groove	
Use	for magnetic sensors BMF 103	for magnetic sensors BMF 103	for magnetic sensors BMF 103	
Material	Brass nickel plated	Brass nickel plated	Brass nickel plated	
Ambient temperature	-40...85 °C	-40...85 °C	-40...85 °C	
Productview	Page 500	Page 500	Page 500	



	BAM00KJ BMF 103-HW-75	BAM00KN BMF 103-HW-85	BAM023L BMF 103-HW-85-SA1	
Principle of operation	BMF mounting bracket	BMF mounting bracket	BMF mounting bracket	
Application	Pneumatic cylinder with integrated groove	Pneumatic cylinder with integrated groove	Pneumatic cylinder with integrated groove	
Use	for magnetic sensors BMF 103	for magnetic sensors BMF 103	for magnetic sensors BMF 103	
Material	Aluminum	Aluminum	Aluminum	
Ambient temperature	-40...85 °C	-40...85 °C	-40...85 °C	
Productview	Page 501	Page 501	Page 501	



	BAM00K9 BMF 103-HW-42	BAM00KA BMF 103-HW-43	BAM00KC BMF 103-HW-63	BAM00KF BMF 103-HW-68	BAM00KH BMF 103-HW-74
	BMF mounting bracket	BMF mounting bracket	BMF mounting bracket	BMF mounting bracket	BMF mounting bracket
	Pneumatic flat cylinder with integrated groove	Pneumatic flat cylinder with integrated groove	Pneumatic flat cylinder with integrated groove	Pneumatic flat cylinder with integrated groove, Fabco Pancake cylinder	Pneumatic cylinder with tie rods
	for magnetic sensors BMF 103	for magnetic sensors BMF 103	for magnetic sensors BMF 103	for magnetic sensors BMF 103	for magnetic sensors BMF 103
	Brass nickel plated	Brass nickel plated	Aluminum	Aluminum	Aluminum
	-40...85 °C	-40...85 °C	-40...85 °C	-40...85 °C	-40...85 °C
	Page 500	Page 500	Page 500	Page 500	Page 500



	BAM00KP BMF 103-HW-87	BAM01E2 BMF 103-HW-93	BAM01K9 BMF 303-HW-101	BAM01K4 BMF 303-HW-103	BAM01K5 BMF 303-HW-104
	BMF mounting bracket	BMF mounting bracket	BMF mounting bracket	BMF mounting bracket	BMF mounting bracket
	Pneumatic cylinder with integrated groove	Pneumatic cylinder, round without groove or tie rod, Piston diameter 8 - 80 mm	Pneumatic cylinder with integrated groove	Pneumatic cylinder with integrated groove	Pneumatic cylinder with tie rods, Piston diameter: any
	for magnetic sensors BMF 103	for magnetic sensors BMF 103	for magnetic sensors BMF 303	for magnetic sensors BMF 303	for magnetic sensors BMF 303
	Aluminum	Aluminum	Aluminum anodized	Brass nickel plated	PBTP GF30
	-40...85 °C	-40...85 °C	-40...85 °C	-40...85 °C	-40...85 °C
	Page 501	Page 501	Page 501	Page 501	Page 501



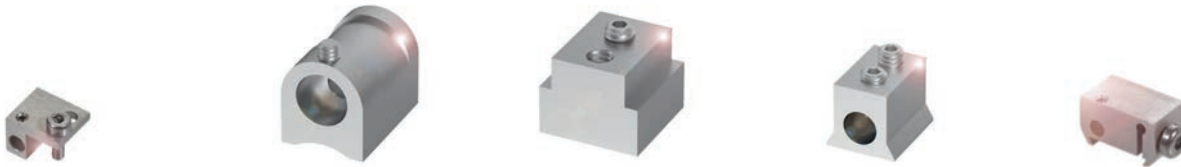
	BAM0242 BMF 303-HW-114	BMF00J4 BMF 303-HW-116	BAM00KZ BMF 303-HW-28	
Principle of operation	BMF mounting bracket	BMF mounting bracket	BMF mounting bracket	
Application	Pneumatic cylinder with integrated groove	Pneumatic cylinder with integrated groove	Pneumatic cylinder with integrated groove	
Use	for magnetic sensors BMF 303	for magnetic sensors BMF 303	for magnetic sensors BMF 303	
Material	Aluminum	Aluminum	Brass nickel plated	
Ambient temperature	-40...85 °C	-40...85 °C	-40...85 °C	
Productview	Page 501	Page 502	Page 502	



	BAM00L5 BMF 303-HW-44	BAM00L6 BMF 303-HW-51	BAM00L7 BMF 303-HW-59	
Principle of operation	BMF mounting bracket	BMF mounting bracket	BMF mounting bracket	
Application	Dovetail groove 60° (e.g., Festo, Bosch, Numatics and Hoerbiger- Origo) or 90° (e.g. Martonair), Pneumatic cylinder with integrated groove	Pneumatic cylinder with integrated groove, Holder suitable for 2 T slot dimension.	Pneumatic cylinder, round without groove or tie rod, Piston diameter 8 - 80 mm	
Use	for magnetic sensors BMF 303	for magnetic sensors BMF 303	for magnetic sensors BMF 303	
Material	Aluminum anodized	Aluminum anodized	Aluminum	
Ambient temperature	-40...85 °C	-40...85 °C	-40...85 °C	
Productview	Page 502	Page 503	Page 503	



	BAM000 BMF 303-HW-30	BAM001 BMF 303-HW-31	BAM002 BMF 303-HW-33	BAM003 BMF 303-HW-34	BAM004 BMF 303-HW-40
	BMF mounting bracket	BMF mounting bracket	BMF mounting bracket	BMF mounting bracket	BMF mounting bracket
	Pneumatic cylinder with integrated groove	Pneumatic cylinder with integrated groove	Pneumatic cylinder with integrated groove	Pneumatic cylinder, round without groove or tie rod, Piston diameter ≤8 - 80 mm	Pneumatic cylinder with integrated groove
	for magnetic sensors BMF 303	for magnetic sensors BMF 303	for magnetic sensors BMF 303	for magnetic sensors BMF 303	for magnetic sensors BMF 303
	Brass nickel plated	Nickel silver	Aluminum	Brass nickel plated	Brass nickel plated
	-40...85 °C	-40...85 °C	-40...85 °C	-40...85 °C	-40...85 °C
	Page 502	Page 502	Page 502	Page 502	Page 502



	BAM008 BMF 303-HW-60	BAM009 BMF 303-HW-61	BAM00LC BMF 303-HW-66	BAM00LE BMF 303-HW-69	BAM00LF BMF 303-HW-80
	BMF mounting bracket	BMF mounting bracket	BMF mounting bracket	BMF mounting bracket	BMF mounting bracket
	Pneumatic cylinder with integrated groove, Used with BMF 303-HW-51, Holder suitable for 2 T slot dimension.	SMC round cylinders, Pneumatic cylinder, round without groove or tie rod, Piston diameter 8 - 80 mm	Pneumatic cylinder with integrated groove	Pneumatic cylinder with integrated groove, Fabco Pancake cylinder	Pneumatic cylinder with integrated mounting rail
	for magnetic sensors BMF 303	for magnetic sensors BMF 303	for magnetic sensors BMF 303	for magnetic sensors BMF 303	for magnetic sensors BMF 303
	Aluminum	Aluminum	Aluminum	Aluminum	Aluminum anodized
	-40...85 °C	-40...85 °C	-40...85 °C	-40...85 °C	-40...85 °C
	Page 503	Page 503	Page 503	Page 503	Page 503



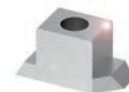
	BAM01F0 BMF 303-HW-97	BAM01K8 BMF 305-HW-106	BAM00LH BMF 305-HW-17	
Principle of operation	BMF mounting bracket	BMF mounting bracket	BMF mounting bracket	
Application	Pneumatic cylinder with integrated groove	Pneumatic cylinder with integrated groove	Pneumatic cylinder with integrated groove	
Use	for magnetic sensors BMF 303	for magnetic sensors BMF 305	for magnetic sensors BMF 305	
Material	Brass nickel plated	Aluminum anodized	Brass nickel plated	
Ambient temperature	-40...85 °C	-40...85 °C	-40...85 °C	
Productview	Page 503	Page 504	Page 504	



	BAM02YK BMF 305-HW-23-SA2	BAM00LP BMF 305-HW-24	BAM00LR BMF 305-HW-25	
Principle of operation	BMF mounting bracket	BMF mounting bracket	BMF mounting bracket	
Application	Pneumatic cylinder with integrated groove	Pneumatic cylinder, round without groove or tie rod, Piston diameter $\leq 8 - 80$ mm	Dovetail groove 60° (e.g., Festo, Bosch, Numatics and Hoerbiger- Origa) or 90° (e.g. Martonair), Pneumatic cylinder with integrated groove	
Use	for magnetic sensors BMF 305	for magnetic sensors BMF 305	for magnetic sensors BMF 305	
Material	Aluminum nickel plated	Brass nickel plated	Aluminum anodized	
Ambient temperature	-40...85 °C	-40...85 °C	-40...85 °C	
Productview	Page 504	Page 504	Page 505	



	BAMOOLJ BMF 305-HW-20	BAMOOLK BMF 305-HW-20-SA1	BAMOOLL BMF 305-HW-21	BAMOOLM BMF 305-HW-22	BAMOOLN BMF 305-HW-23
	BMF mounting bracket	BMF mounting bracket	BMF mounting bracket	BMF mounting bracket	BMF mounting bracket
	Pneumatic cylinder with integrated groove	Pneumatic cylinder with integrated groove	With BMF 21-HW -8 mounting bracket for pneumatic cylinder with tie rod diameter 4.3...6.5 mm., With BMF 21-HW -11 mounting bracket for cylinder with piston diameter 8-80 mm. Mounting with tube cuff., With BMF 21-HW -10 mounting bracket for pneumatic cylinder with tie rod Ø 4.3...17 mm and pneumatic cylinder with integrated tie rod (profile), profile width 10...17 mm.	Pneumatic cylinder with integrated groove	Pneumatic cylinder with integrated groove
	for magnetic sensors BMF 305	for magnetic sensors BMF 305	for magnetic sensors BMF 305	for magnetic sensors BMF 305	for magnetic sensors BMF 305
	Brass nickel plated	Brass nickel plated	PBTP GF30	Brass nickel plated	Aluminum anodized
	-40...85 °C	-40...85 °C	-25...70 °C	-40...85 °C	-40...85 °C
	Page 504	Page 504	Page 504	Page 504	Page 504



	BAMOOLT BMF 305-HW-26	BAMOOLU BMF 305-HW-27	BAMOOLW BMF 305-HW-32	BAMOOLY BMF 305-HW-35	BAMOOLZ BMF 305-HW-36
	BMF mounting bracket	BMF mounting bracket	BMF mounting bracket	BMF mounting bracket	BMF mounting bracket
	Pneumatic cylinder with integrated groove, Used with BMF 303-HW-51, Holder suitable for 2 T slot dimension., For slot dimensions see drawing	Pneumatic cylinder with integrated mounting rail	Pneumatic cylinder with integrated groove	Pneumatic cylinder with integrated groove	Pneumatic cylinder with integrated groove
	for magnetic sensors BMF 305	for magnetic sensors BMF 305	for magnetic sensors BMF 305	for magnetic sensors BMF 305	for magnetic sensors BMF 305
	Aluminum anodized	Aluminum anodized	Aluminum anodized	Aluminum anodized, black	Aluminum
	-40...85 °C	-40...85 °C	-40...85 °C	-40...85 °C	-40...85 °C
	Page 505	Page 505	Page 505	Page 505	Page 505

Sensors

RFID

Machine Vision and Optical Identification

Human Machine Interfaces

Systems

Safety

Industrial Networking

Power Supply

Connectivity

Accessories



	BAM00M0 BMF 305-HW-37	BAM00M3 BMF 305-HW-46	BAM00M5 BMF 305-HW-50	
Principle of operation	BMF mounting bracket	BMF mounting bracket	BMF mounting bracket	
Application	Pneumatic cylinder with integrated groove, Parker SST and ER Series	Pneumatic cylinder with integrated groove	Pneumatic cylinder with integrated groove	
Use	for magnetic sensors BMF 305	for magnetic sensors BMF 305	for magnetic sensors BMF 305	
Material	Aluminum	Aluminum	Aluminum anodized	
Ambient temperature	-40...85 °C	-40...85 °C	-40...85 °C	
Productview	Page 505	Page 505	Page 506	



	BAM00MF BMF 305-HW-72	BAM00MK BMF 305-HW-82	BAM0017 BMF 305-HW-91	
Principle of operation	BMF mounting bracket	BMF mounting bracket	BMF mounting bracket	
Application	Pneumatic cylinder with tie rods, Cylinder diameter 5.0" to 8.0"	Pneumatic cylinder with integrated groove	Pneumatic cylinder with integrated groove, Parker 3MA, 4MA	
Use	for magnetic sensors BMF 305	for magnetic sensors BMF 305	for magnetic sensors BMF 305	
Material	Aluminum	Aluminum	Aluminum	
Ambient temperature	-40...85 °C	-40...85 °C	-40...85 °C	
Productview	Page 506	Page 506	Page 507	



	BAM00M6 BMF 305-HW-52	BAM00M7 BMF 305-HW-53	BAM00M9 BMF 305-HW-64	BAM00MC BMF 305-HW-70	BAM00ME BMF 305-HW-71
	BMF mounting bracket	BMF mounting bracket	BMF mounting bracket	BMF mounting bracket	BMF mounting bracket
	Pneumatic cylinder with integrated groove, SMC T-Rail cylinder	Pneumatic cylinder with integrated groove	Pneumatic cylinder with integrated groove, Manesmann-Rexroth green Series	Pneumatic cylinder with tie rods, Cylinder diameter 1.5" to 2.5"	Pneumatic cylinder with tie rods, Cylinder diameter 3.25" to 4.0"
	for magnetic sensors BMF 305	for magnetic sensors BMF 305	for magnetic sensors BMF 305	for magnetic sensors BMF 305	for magnetic sensors BMF 305
	Aluminum anodized, black	Aluminum	Aluminum anodized	Aluminum	Aluminum
	-40...85 °C	-40...85 °C	-40...85 °C	-40...85 °C	-40...85 °C
	Page 506	Page 506	Page 506	Page 506	Page 506



	BAM01C4 BMF 305-HW-92	BAM01EZ BMF 305-HW-98	BAM01EY BMF 305-HW-99	BAM00KT BMF 21-HW-10	BAM00KU BMF 21-HW-10-E
	BMF mounting bracket	BMF mounting bracket	BMF mounting bracket	BMF mounting bracket	BMF mounting bracket
	Pneumatic cylinder with integrated groove	Pneumatic cylinder with integrated groove	Pneumatic cylinder with integrated groove, Holder suitable for 2 T slot dimension.	Piston diameter: any, Pneumatic cylinder with integrated tie rods (profile), Pneumatic cylinder with tie rods	Piston diameter: any, Pneumatic cylinder with integrated tie rods (profile), Pneumatic cylinder with tie rods
	for magnetic sensors BMF 305	for magnetic sensors BMF 305	for magnetic sensors BMF 305	for magnetic sensors BMF 21	for magnetic sensors BMF 21
	Aluminum anodized	Brass nickel plated	Aluminum anodized	Aluminum anodized, black	Stainless steel (1.4305)
	-40...85 °C	-40...85 °C	-40...85 °C	-40...85 °C	-40...85 °C
	Page 507	Page 507	Page 507	Page 507	Page 507



	BAM00KW BMF 21-HW-11	BAM00KY BMF 21-HW-8	BAM00MR BMF 32-HW-12	
Principle of operation	BMF mounting bracket	BMF mounting bracket	BMF mounting bracket	
Application	Pneumatic cylinder, round without groove or tie rod, Piston diameter 8 - 80 mm	Pneumatic cylinder with tie rods, Pneumatic cylinder with DUO rail	Cylinder model EURO-MEC, all piston diameters, Pneumatic cylinder with integrated mounting rail	
Use	for magnetic sensors BMF 21	for magnetic sensors BMF 21	for magnetic sensors BMF 32	
Material	Aluminum anodized, black	Cast aluminum anodized, black	Aluminum Stainless steel anodized, black	
Ambient temperature	-40...85 °C	-40...85 °C	-40...85 °C	
Productview	Page 507	Page 507	Page 507	



	BAM00NO BMF 32-HW-49	BAM02ZP BAM MC-MF-046-203-A-C	BAM02ZR BAM MC-MF-046-203-A-S	
Principle of operation	BMF mounting bracket	BMF mounting bracket	BMF mounting bracket	
Application	Pneumatic cylinder with tie rods, Piston diameter 3/4", 1", 1 1/8"	Holder for C-slot	Holder for cable tie mount	
Use	for magnetic sensors BMF 32	for fixing the Teachbox BMF 203 in C-slot	for fixing the Teachbox BMF 203 with cable tie	
Material	Aluminum anodized, black	PA 12	PA 12	
Ambient temperature	-40...85 °C	-25...80 °C	-25...80 °C	
Productview	Page 508	Page 508	Page 508	



	BAM00MT BMF 32-HW-13	BAM00MU BMF 32-HW-14	BAM00MW BMF 32-HW-15	BAM00MY BMF 32-HW-16	BAM00MZ BMF 32-HW-18
	BMF mounting bracket	BMF mounting bracket	BMF mounting bracket	BMF mounting bracket	BMF mounting bracket
	Pneumatic cylinder with tie rods, Piston diameter: any	Pneumatic cylinder with integrated mounting rail, Bosch Type O 822 350 / 351 / 352 / 353 / 354 / 355	Piston diameter: any, Pneumatic cylinder with integrated tie rod (profile): profile width: 4...17 mm, Pneumatic cylinder with tie rods	Pneumatic cylinder with tie rods, Pneumatic cylinder with DUO rail, Piston diameter: any	Rexroth/Mecman Series 2700 D 12-100 mm, Pneumatic cylinder with integrated mounting rail
	for magnetic sensors BMF 32	for magnetic sensors BMF 32	for magnetic sensors BMF 32	for magnetic sensors BMF 32	for magnetic sensors BMF 32
	Aluminum anodized, black	Aluminum anodized, black	Aluminum anodized, black	Aluminum anodized, black	Aluminum anodized, black
	-40...85 °C	-40...85 °C	-40...85 °C	-40...85 °C	-40...85 °C
	Page 508	Page 508	Page 508	Page 508	Page 508



	BAM02ZT BAM MC-MF-046-203-A-T	BAM01M9 BMF 235-HW-109	BAM01MA BMF 235-HW-110	BAM01MC BMF 235-HW-111	BAM01Y9 BMF 307-HW-112
	BMF mounting bracket	BMF mounting bracket	BMF mounting bracket	BMF mounting bracket	BMF mounting bracket
	Holder for T-slot	Pneumatic cylinder with tie rods, Piston diameter: any	Pneumatic cylinder with tie rods, Piston diameter: any	Pneumatic cylinder with tie rods, Piston diameter: any	Pneumatic cylinder, round without groove or tie rod, Piston diameter ≤8 - 110 mm
	for fixing the Teachbox BMF 203 in T-slot	for magnetic sensors BMF 235	for magnetic sensors BMF 235	for magnetic sensors BMF 235	for magnetic sensors BMF 307, for magnetic sensors BMF 235
	PA 12	Aluminum	Aluminum	Aluminum	Aluminum
	-25...80 °C	—	—	—	-40...85 °C
	Page 509	Page 509	Page 509	Page 509	Page 509



	BAM02W1 BMF 307-HW-73-Z-115	BAM02W2 BMF 307-HW-73-Z-255	BAM00MP BMF 307-HW-86	
Principle of operation	BMF mounting bracket	BMF mounting bracket	BMF mounting bracket	
Application	Pneumatic cylinder, round without groove or tie rod, Piston diameter 8 - 25 mm, For BMF 307 and BMF 315	Pneumatic cylinder, round without groove or tie rod, Piston diameter 25 - 63 mm, For BMF 307 and BMF 315	Pneumatic cylinder with tie rods	
Use	for magnetic sensors BMF 307	for magnetic sensors BMF 307	for magnetic sensors BMF 307	
Material	Stainless steel Die-cast zinc	Stainless steel Die-cast zinc	Plastic Stainless steel	
Ambient temperature	-30...80 °C	-30...80 °C	-25...70 °C	
Productview	Page 509	Page 509	Page 509	



BAM00KR BMF 10E-HW-19				
BMF mounting bracket				
Pneumatic cylinder, round without groove or tie rod, Piston diameter 8 - 63 mm				
for magnetic sensors BMF 10E				
Stainless steel (1.4305)				
-40...85 °C				
Page 509				

Sensors

RFID

Machine Vision and Optical Identification

Human Machine Interfaces

Systems

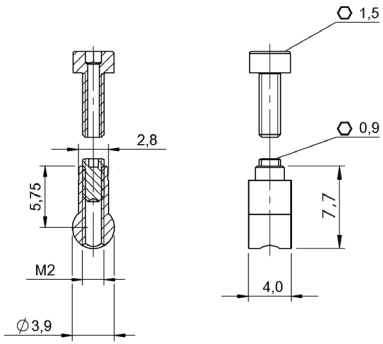
Safety

Industrial Networking

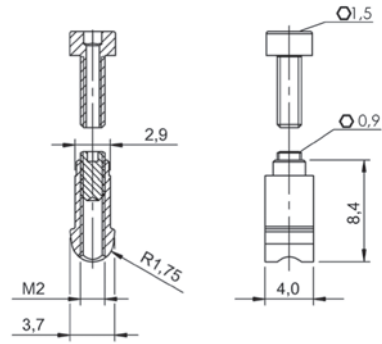
Power Supply

Connectivity

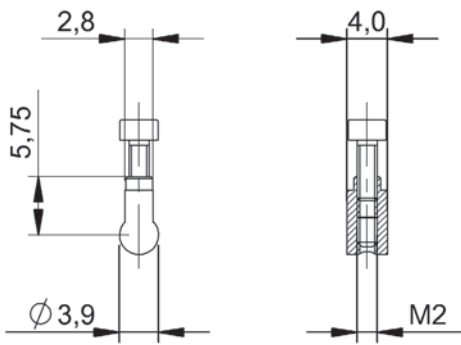
Accessories



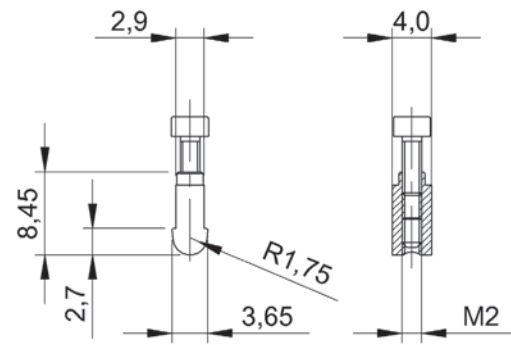
BAM01K6



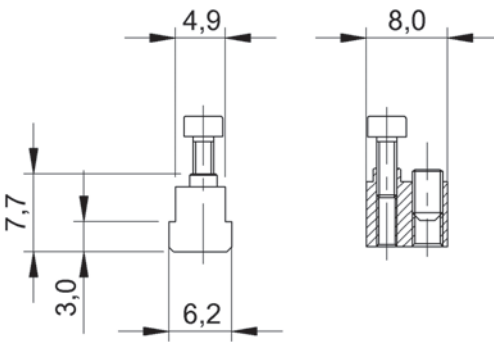
BAM01K7



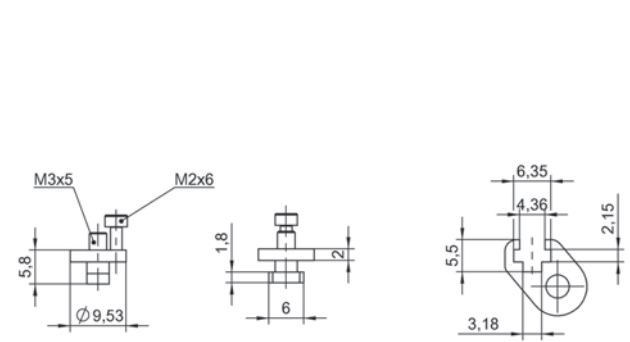
BAM00K8



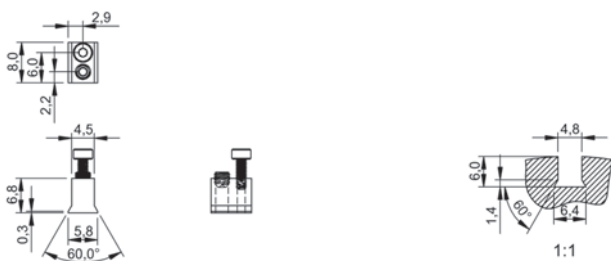
BAM00K9



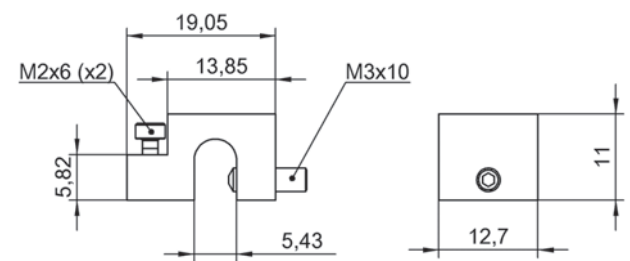
BAM00KA



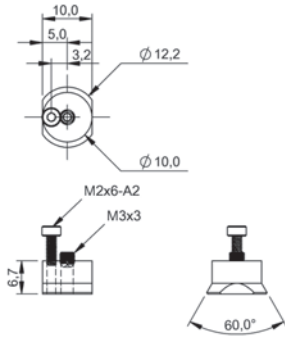
BAM00KC



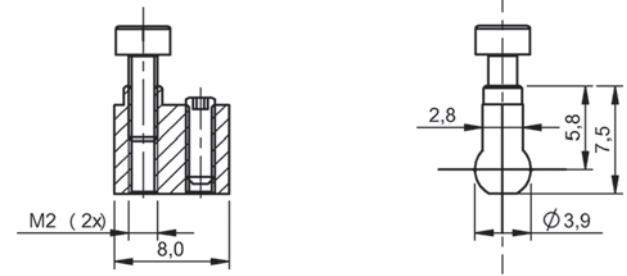
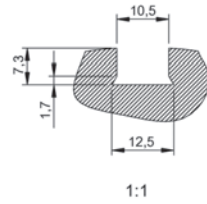
BAM00KF



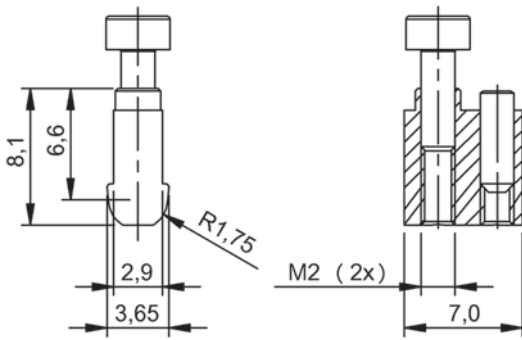
BAM00KH



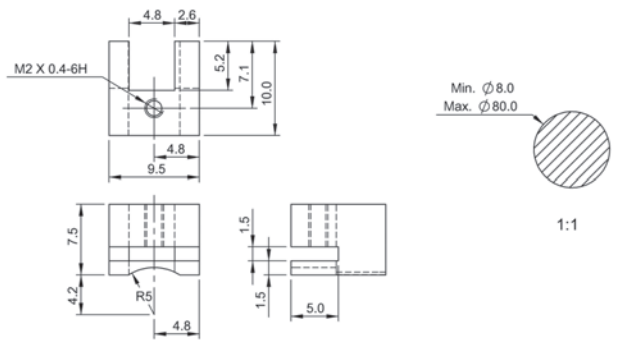
BAM00KJ



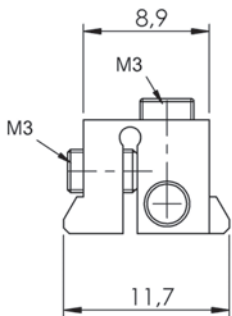
BAM00KN, BAM023L



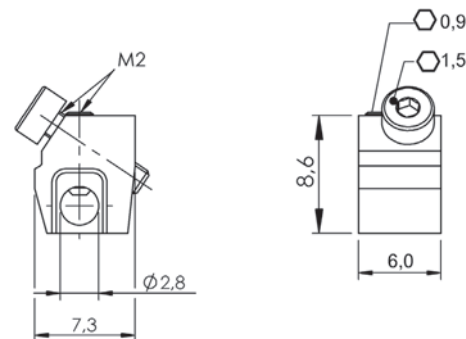
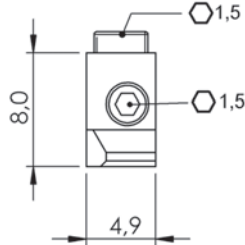
BAM00KP



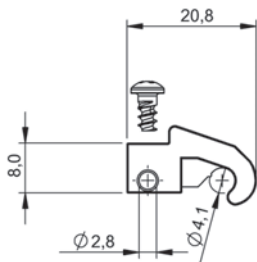
BAM01E2



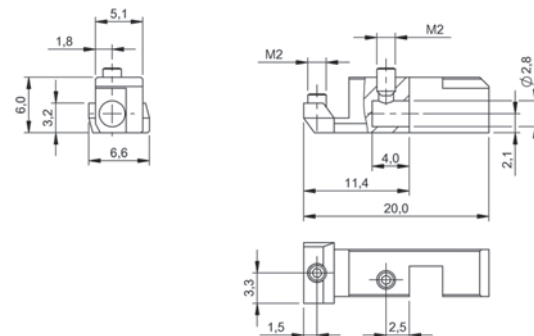
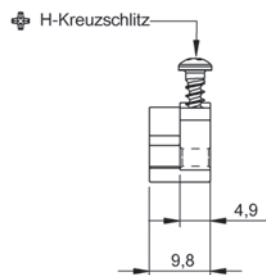
BAM01K9



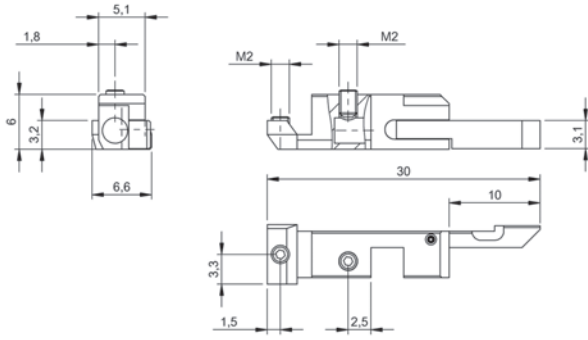
BAM01K4



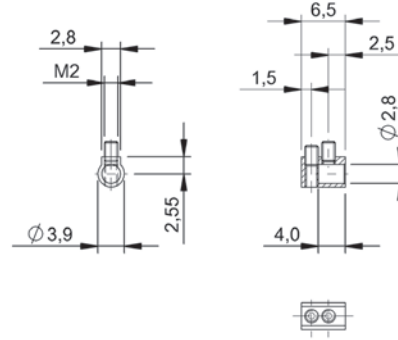
BAM01K5



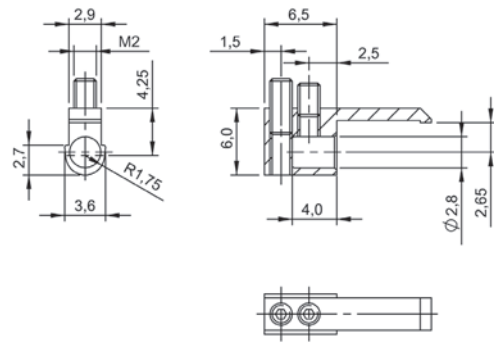
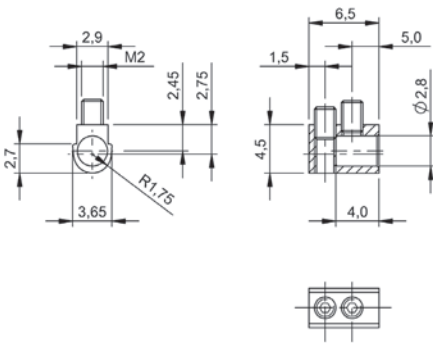
BAM0242



BMF00J4

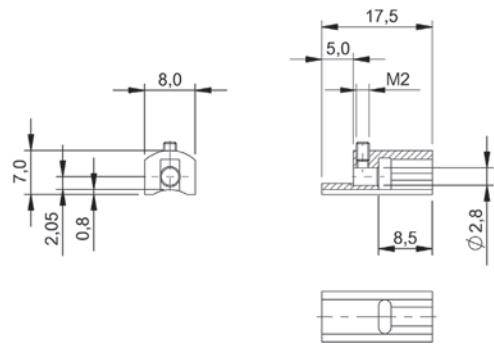
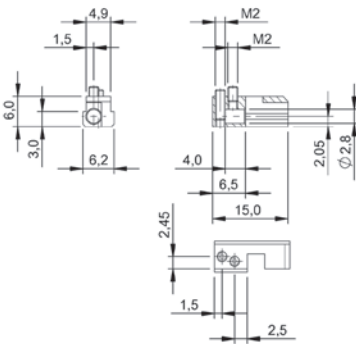


BAM00KZ



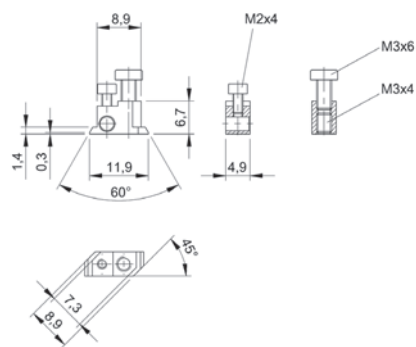
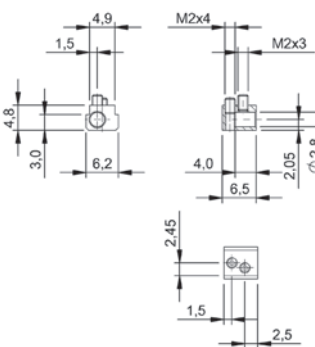
BAM00L0

BAM00L1



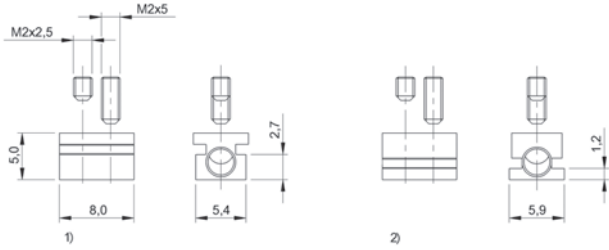
BAM00L2

BAM00L3

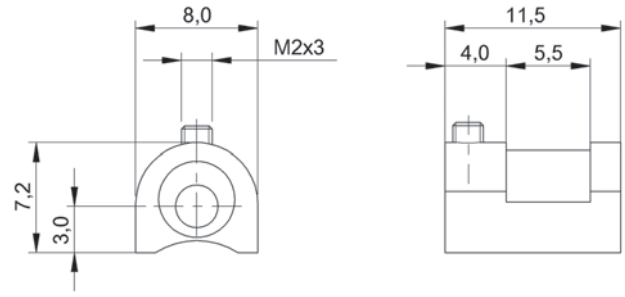


BAM00L4

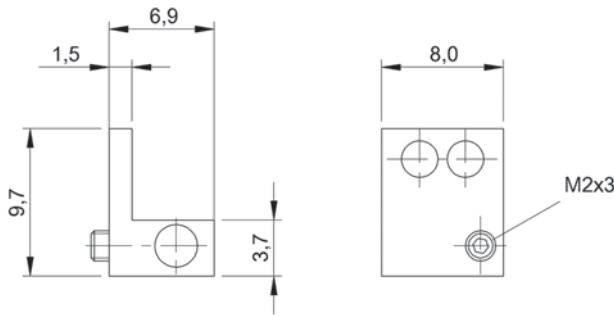
BAM00L5



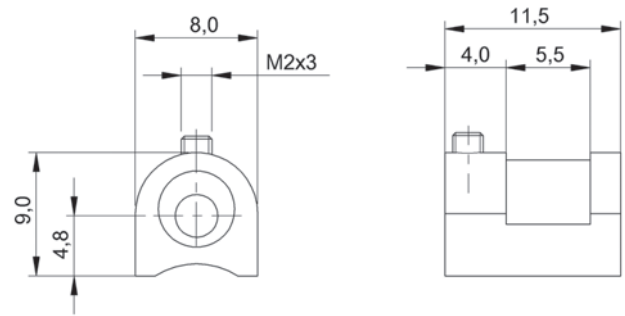
BAM00L6



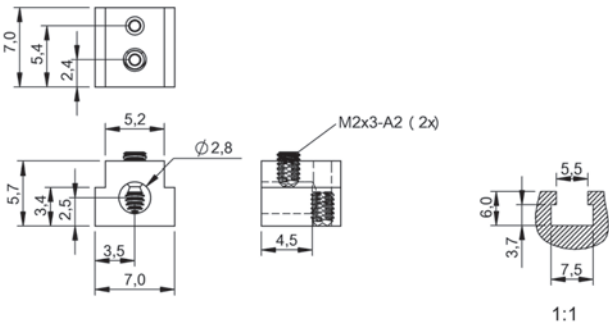
BAM00L7



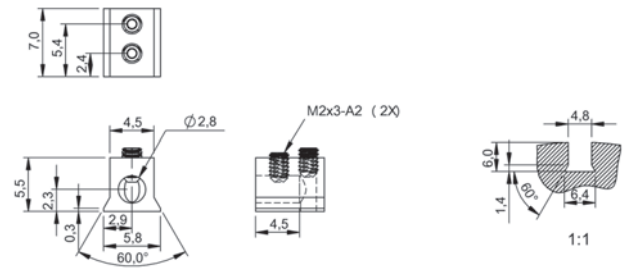
BAM00L8



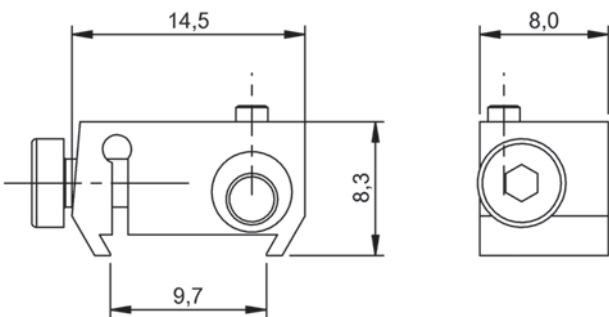
BAM00L9



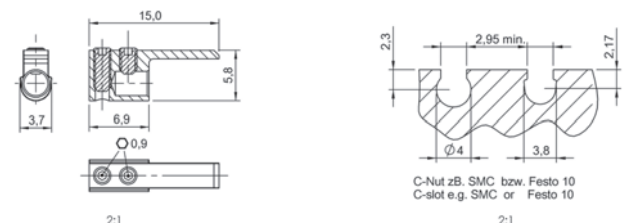
BAM00LC



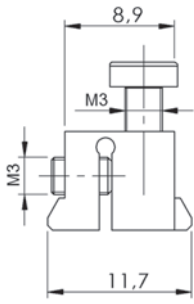
BAM00LE



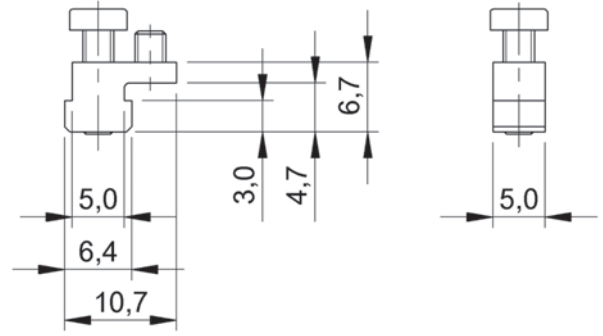
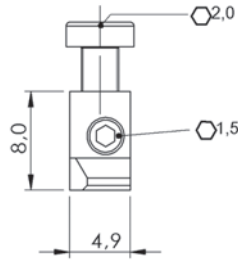
BAM00LF



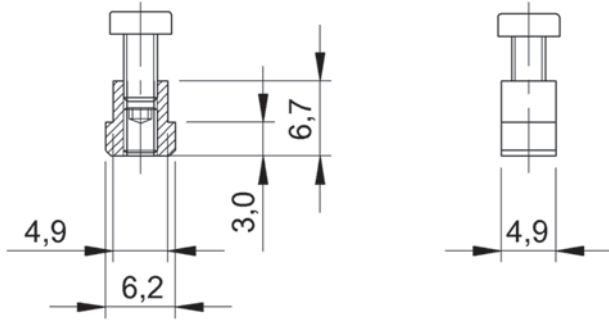
BAM01FO



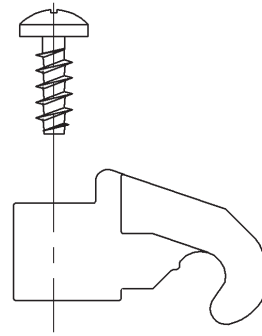
BAM01K8



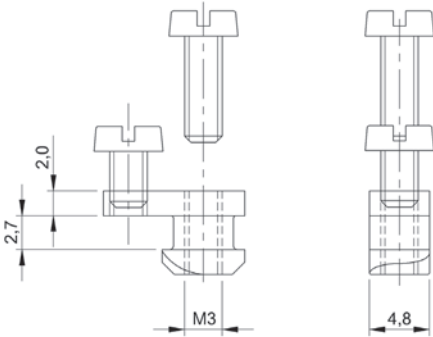
BAM00LH



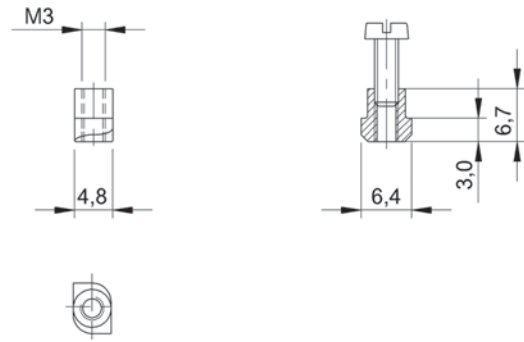
BAM00LJ, BAM00LK



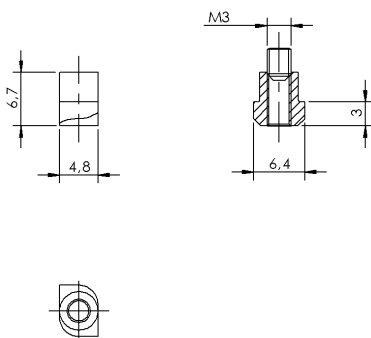
BAM00LL



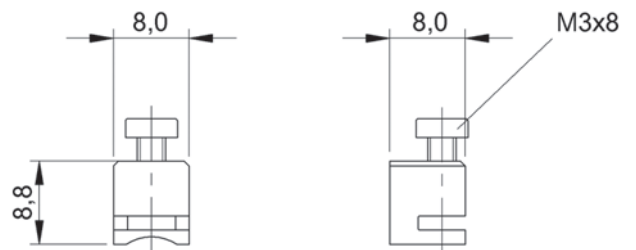
BAM00LM



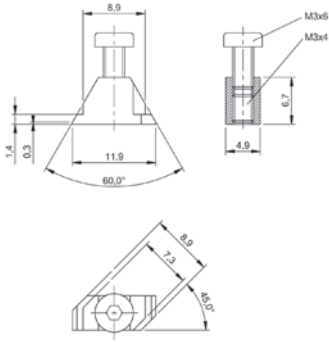
BAM00LN



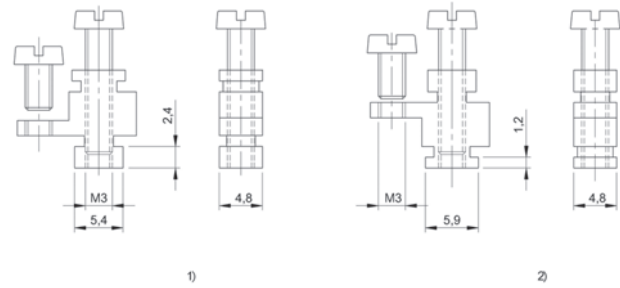
BAM02YK



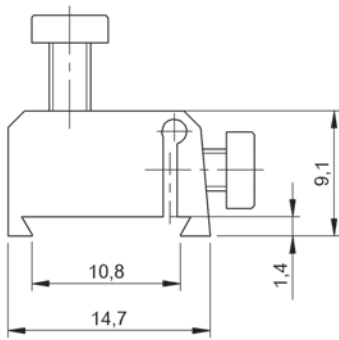
BAM00LP



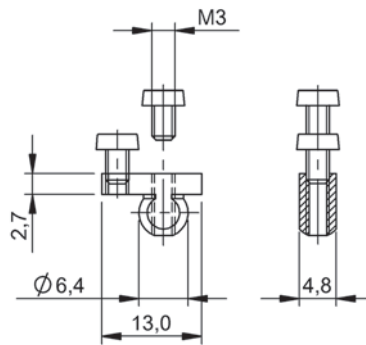
BAM00LR



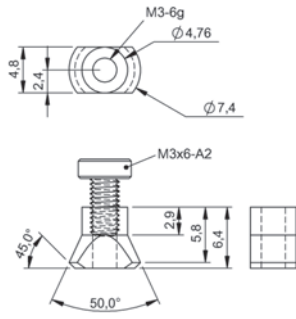
BAM00LT



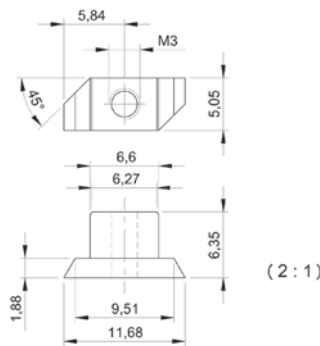
BAM00LU



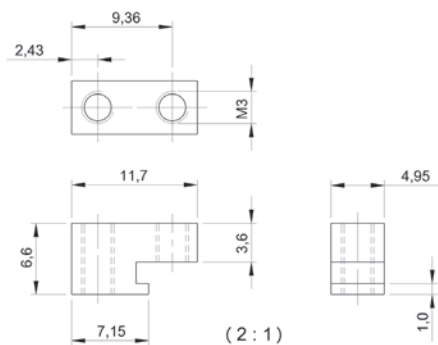
BAM00LW



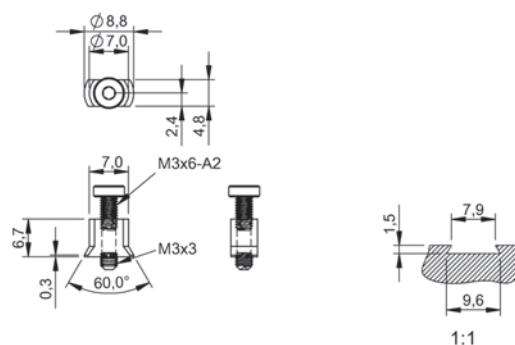
BAM00LY



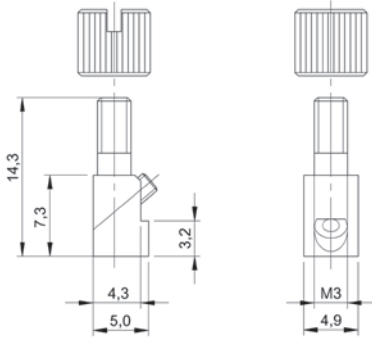
BAM00LZ



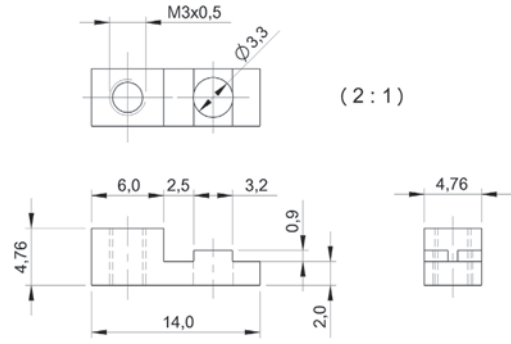
BAM00M0



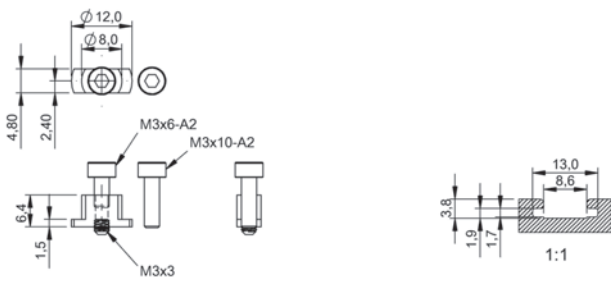
BAM00M3



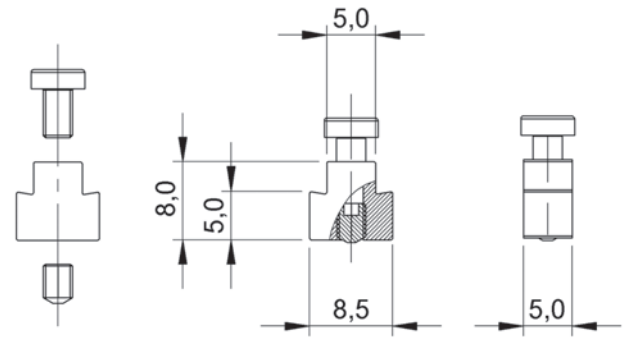
BAM00M5



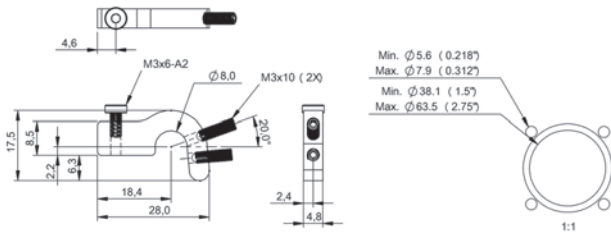
BAM00M6



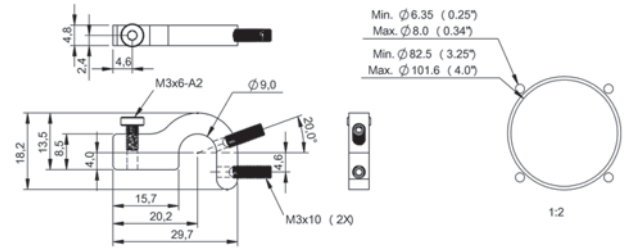
BAM00M7



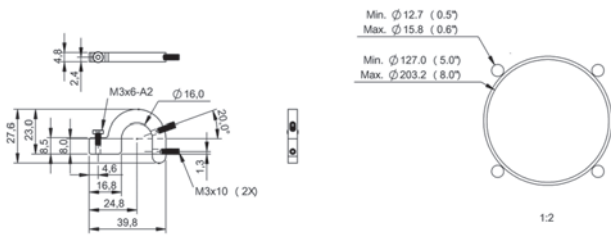
BAM00M9



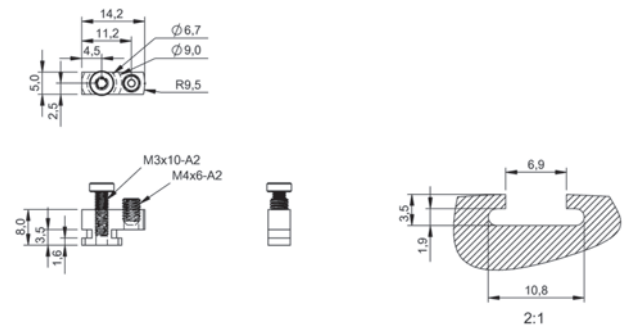
BAM00M0C



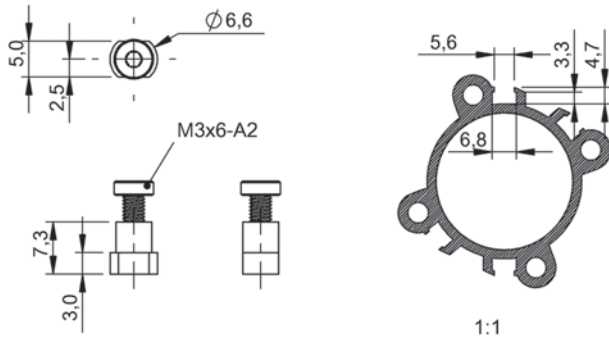
BAM00M0E



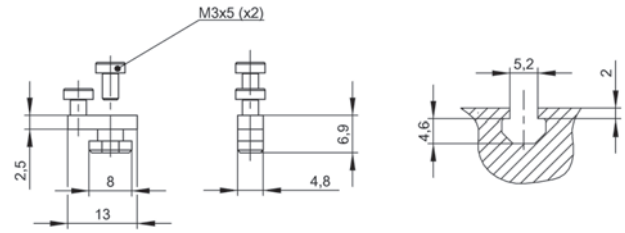
BAM00M0F



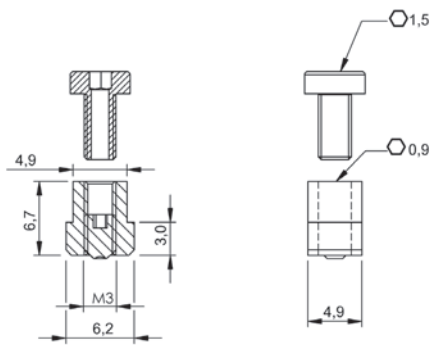
BAM00M0K



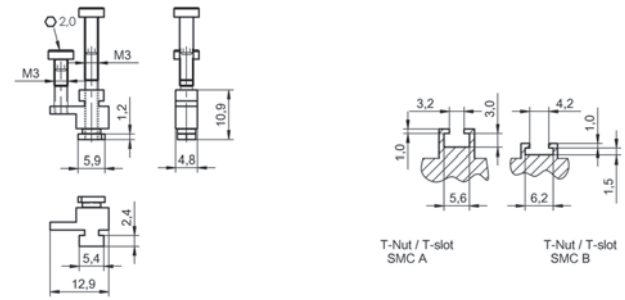
BAM0017



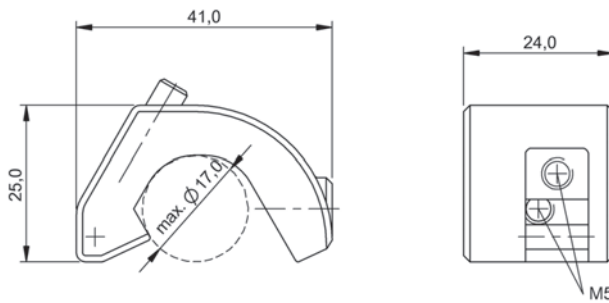
BAM01C4



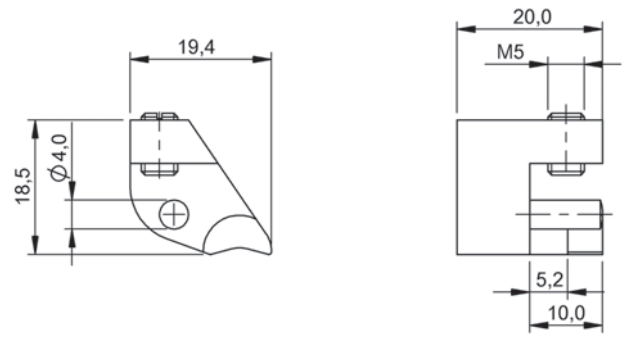
BAM01EZ



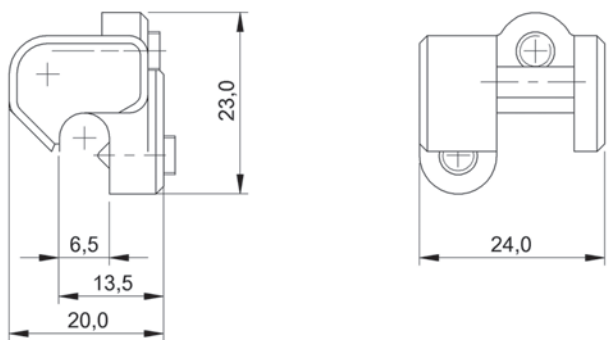
BAM01EY



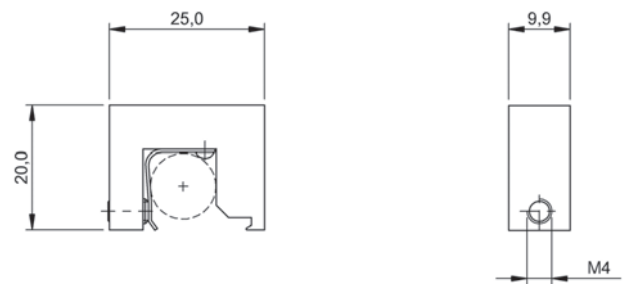
BAM00KT, BAM00KU



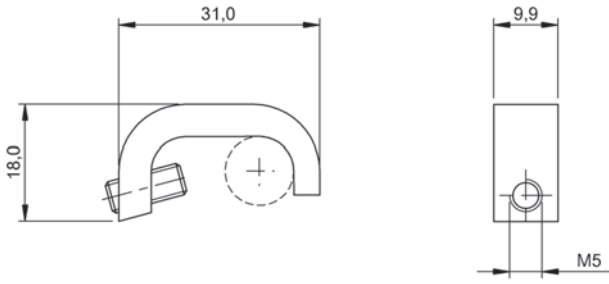
BAM00KW



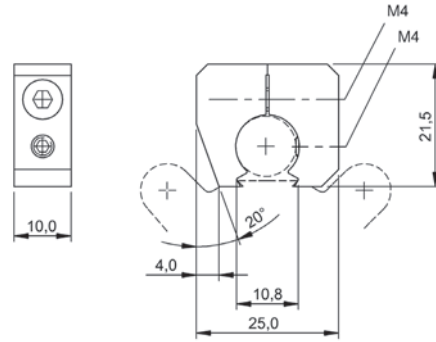
BAM00KY



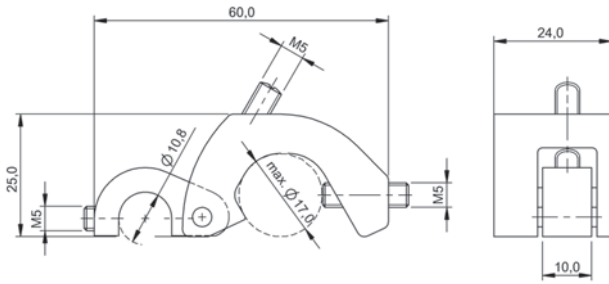
BAM00MR



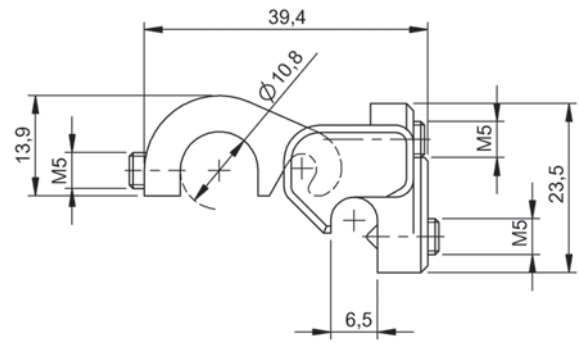
BAM00MT



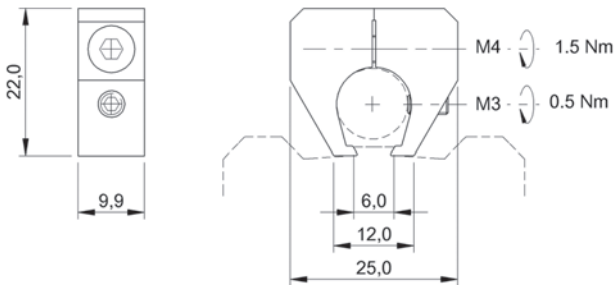
BAM00MU



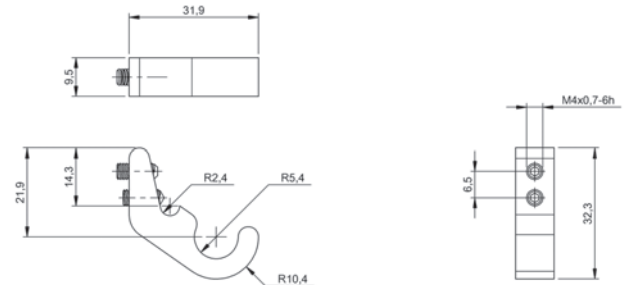
BAM00MW



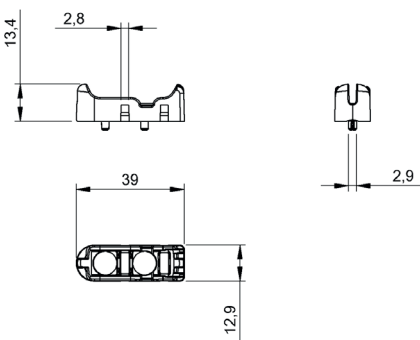
BAM00MY



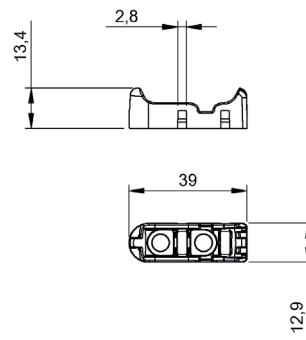
BAM00MZ



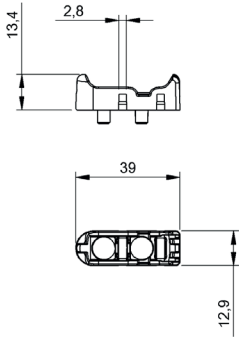
BAM00NO



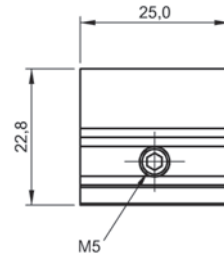
BAM02ZP



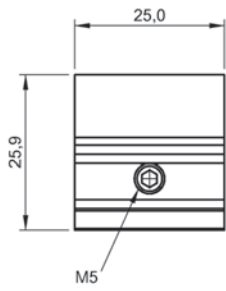
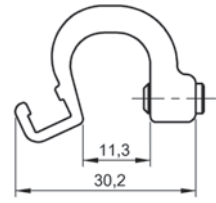
BAM02ZR



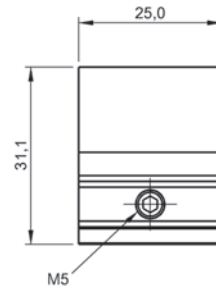
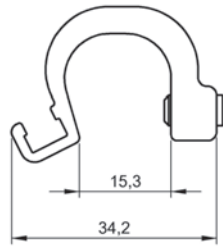
BAM02ZT



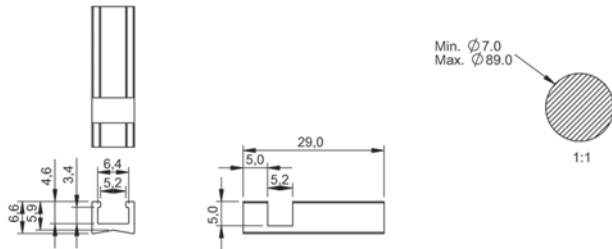
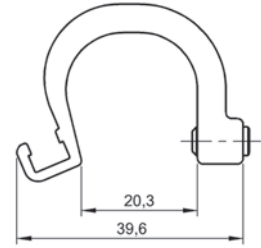
BAM01M9



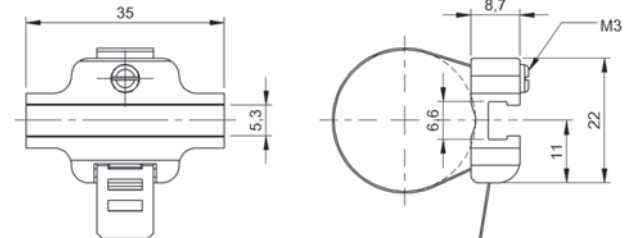
BAM01MA



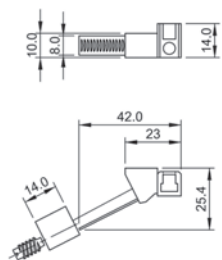
BAM01MC



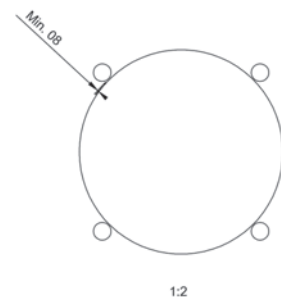
BAM01Y9



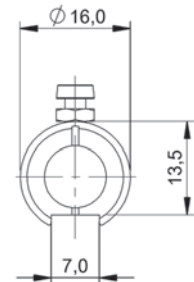
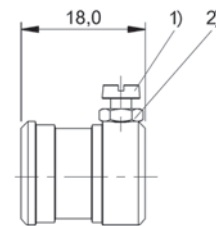
BAM02W1, BAM02W2



BAM00MP



BAM00KR





	BAM010W BTL6-A-MF01-A-43	
Principle of operation	BTL control arm	
Material	Aluminum anodized	
Mounting	Through-hole 3.7 mm (2x)	
Productview	Page 512	



BAM010Y BTL6-A-MF01-A-50	BAM0110 BTL6-A-MF03-K-50	BAM01N3 BTL6-A-MF07-A-PF/M5
BTL control arm	BTL control arm	BTL control arm
Aluminum anodized	PA anodized	Aluminum anodized
Through-hole 5.5 mm (2x)	Through-hole 5.5 mm (2x)	2x cylinder head screw ISO 4762 M5x25
Page 512	Page 512	Page 513

Sensors

RFID

Machine Vision and
Optical Identification

Human Machine
Interfaces

Systems

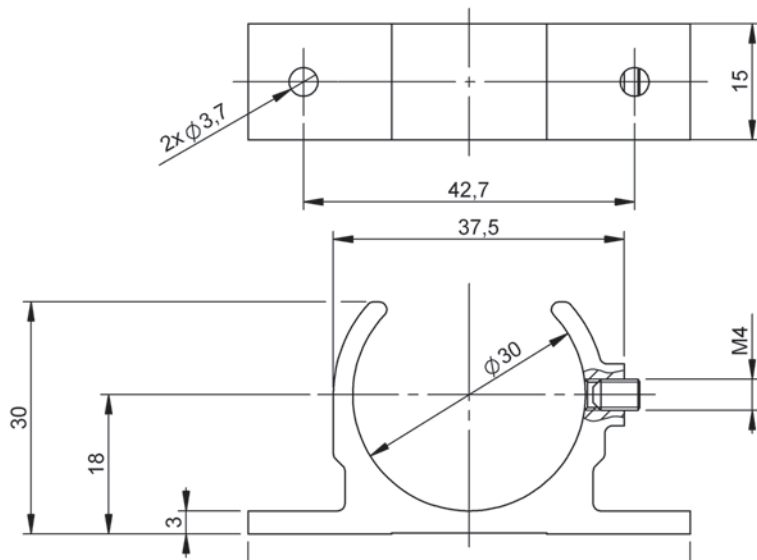
Safety

Industrial Networking

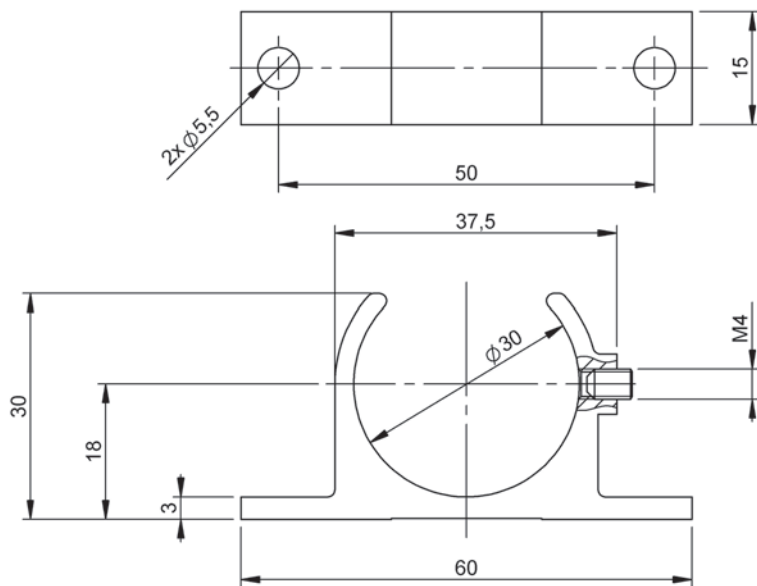
Power Supply

Connectivity

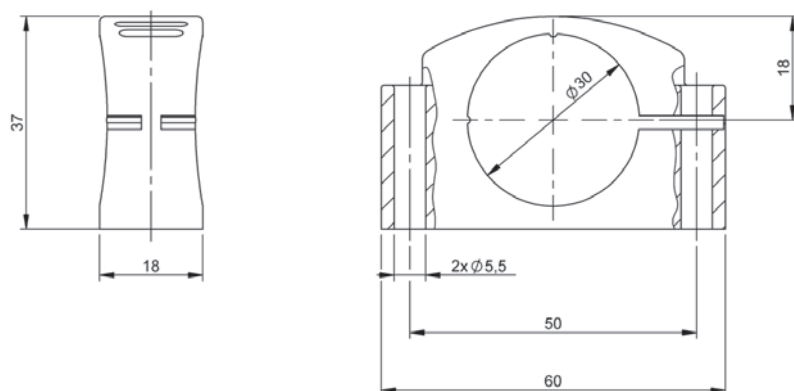
Accessories



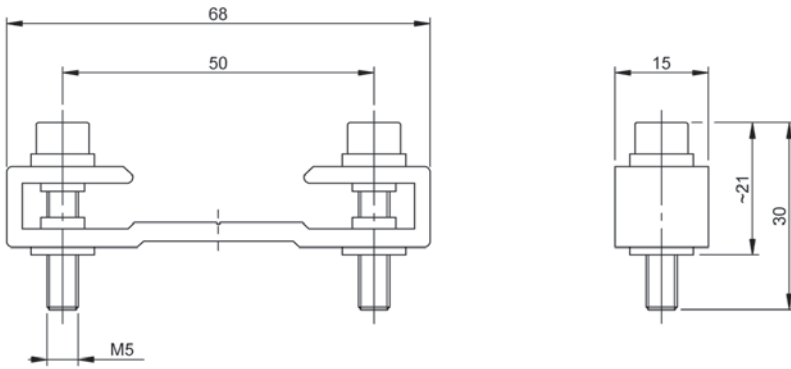
BAM010W



BAM010Y



BAM0110



BAM01N3

Sensors

RFID

Machine Vision and
Optical Identification

Human Machine
Interfaces

Systems

Safety

Industrial Networking

Power Supply

Connectivity

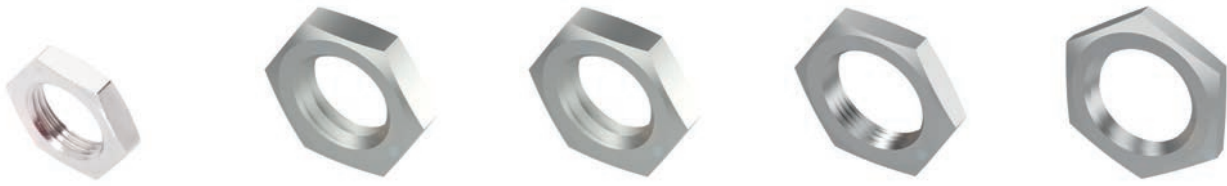
Accessories



	BAM009K BES 08-DM-1	BAM01WF BAM MC-XA-021-M5-4	BAM01WR BAM MC-XA-021-M8-3	
Principle of operation	Sealing element	General installation accessories	General installation accessories	
Use	For sealing of pressure rated sensors M8	For M05 sensors	For M08 sensors	
Material	PA phosphated	Stainless steel	Galvanized steel	
Ambient temperature	-40...110 °C	—	—	
Productview	Page 516	Page 516	Page 516	



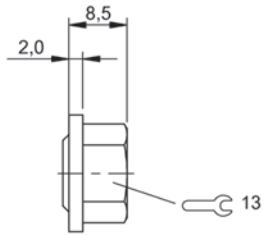
	BAM01WJ BAM MC-XA-021-M18-4	BAM01WL BAM MC-XA-021-M18-A	BAM01W5 BAM MC-XA-021-M30-2	
Principle of operation	General installation accessories	General installation accessories	General installation accessories	
Use	For M18 sensors	For M18 sensors	For M30 sensors	
Material	Stainless steel	PA	Brass nickel plated	
Ambient temperature	—	-30...85 °C	—	
Productview	Page 516	Page 516	Page 516	



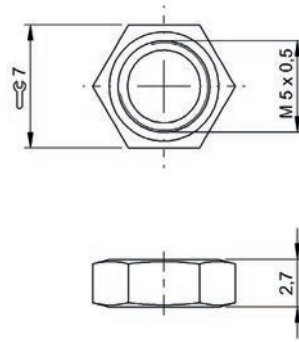
	BAM033A BAM MC-XA-021-M8-4-01	BAM01W3 BAM MC-XA-021-M12-2	BAM01WH BAM MC-XA-021-M12-4	BAM01W6 BAM MC-XA-021-M16-2	BAM01W4 BAM MC-XA-021-M18-2
	General installation accessories	General installation accessories	General installation accessories	General installation accessories	General installation accessories
	For M08 sensors	For M12 sensors	For M12 sensors	For M16 sensors	For M18 sensors
	Steel -	Brass nickel plated	Stainless steel	Galvanized brass	Brass nickel plated
	—	—	—	—	—
	Page 516	Page 516	Page 516	Page 516	Page 516



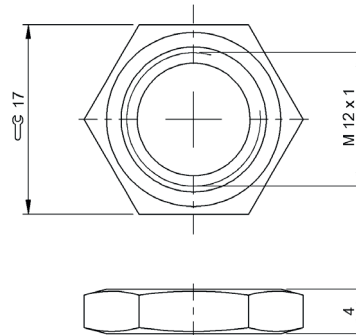
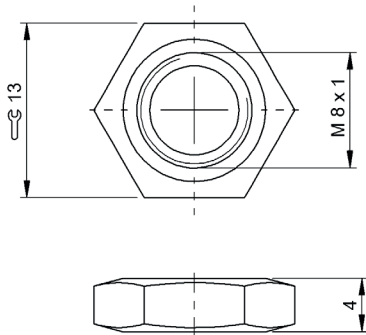
	BAM01WK BAM MC-XA-021-M30-4	BAM01WM BAM MC-XA-021-M30-A		
	General installation accessories	General installation accessories		
	For M30 sensors	For M30 sensors		
	Stainless steel	PA		
	—	-30...85 °C		
	Page 516	Page 517		



BAM009K

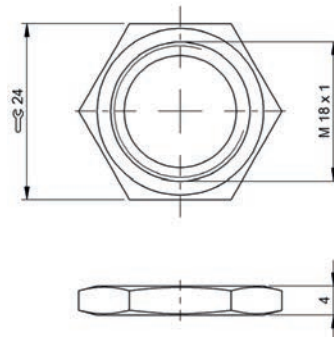
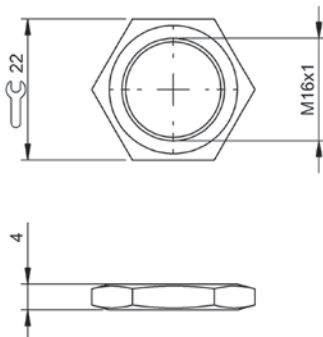


BAM01WF



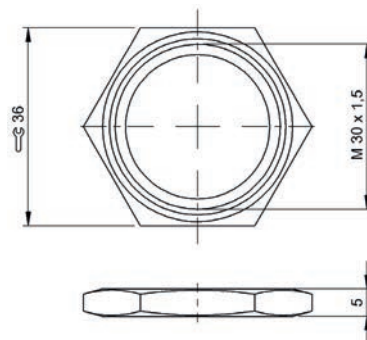
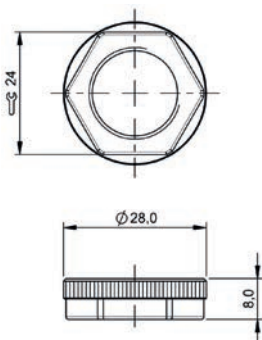
BAM01WR, BAM033A

BAM01W3, BAM01WH



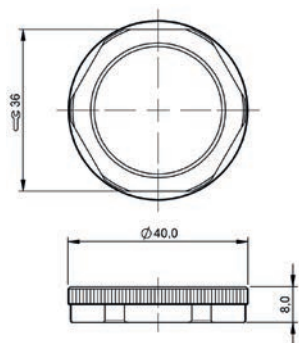
BAM01W6

BAM01W4, BAM01WJ



BAM01WL

BAM01W5, BAM01WK



BAM01WM

Sensors

RFID

Machine Vision and
Optical Identification

Human Machine
Interfaces

Systems

Safety

Industrial Networking

Power Supply

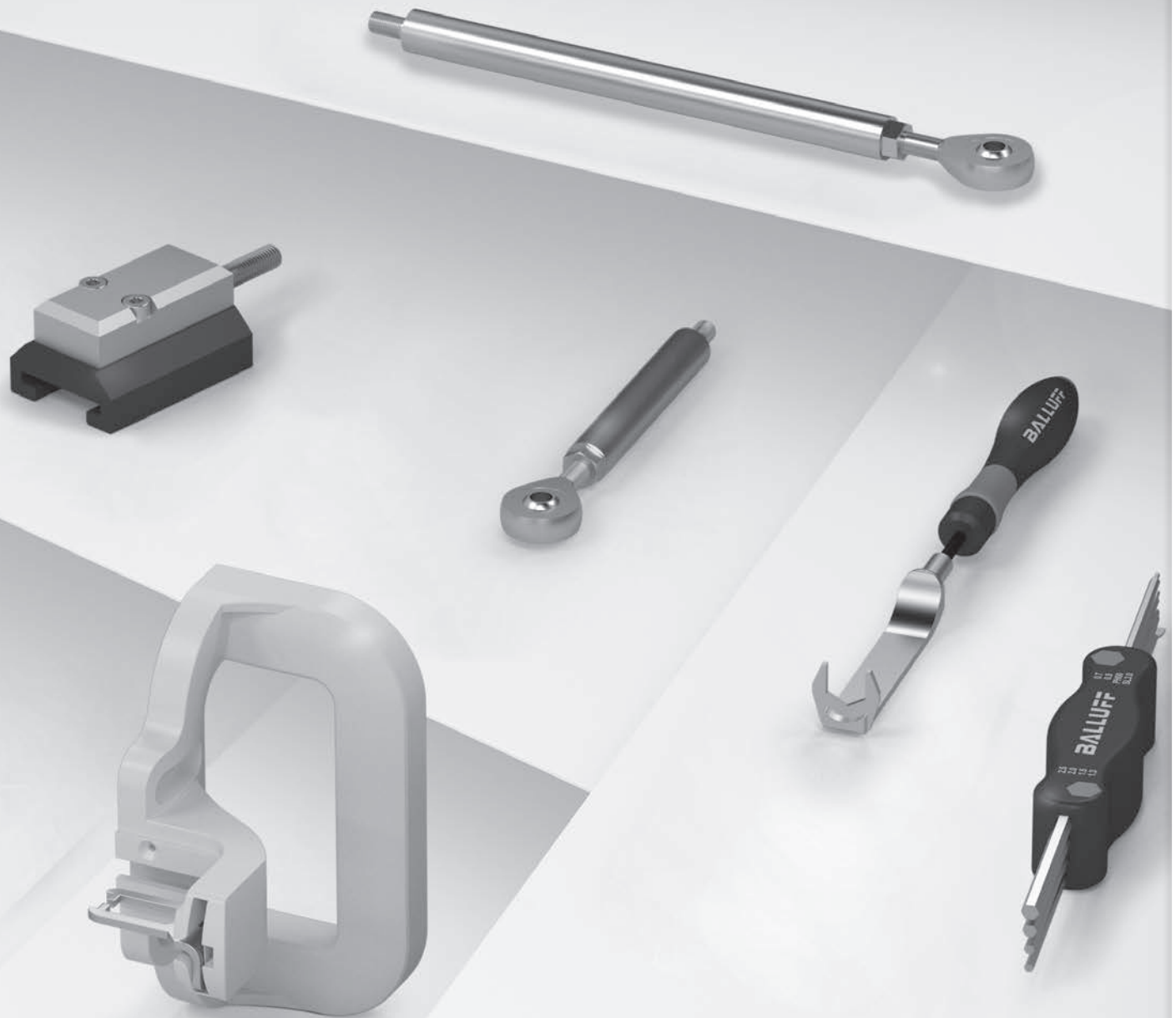
Connectivity

Accessories

MECHANICAL ACCESSORIES

With simple assembly and installation, our great selection of high-quality accessories supports you in optimally embedding sensors in machines and systems. The wide Balluff product range offers the optimum gear for nearly every application.





Sensors

RFID

Machine Vision and
Optical Identification

Human Machine
Interfaces

Systems

Safety

Industrial Networking

Power Supplies

Connectivity

Accessories



	BAE00E5 BAE PD-US-004-S04	BAE00E6 BAE PD-US-004-S92	
Principle of operation	Teach adapter	Teach adapter	
Use	for ultrasonic sensors BUS	for ultrasonic sensors BUS	
Teach function	Pin3 to Pin2	Pin3 to Pin5	
Connection 1	M12x1-Female, 5-pole	M12x1-Female, 5-pole	
Connection 2	M12x1-Male, 5-pole	M12x1-Male, 5-pole	
Dimension	12 x 30 x 300 mm	12 x 30 x 300 mm	
Material	PA	PA	
Ambient temperature	-25...80 °C	-25...80 °C	
Protection degree	IP67	IP67	
Approval/Conformity	CE	CE	
Productview	Page 522	Page 522	



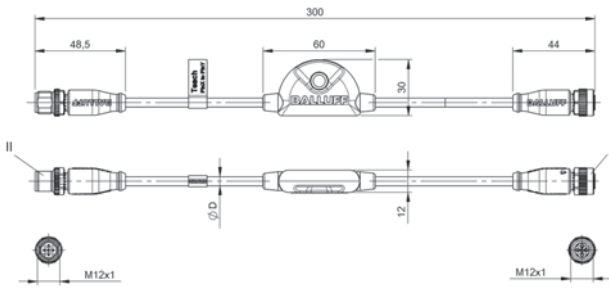
	BAM00ZL BAM T0-CC-001-M3-0,4/8,0	BAM033L BAM T0-CC-001-M4-0,6/12,0/18,0	
Principle of operation	Torque handle	Torque handle	
Use	for M8 connector	BNI M12	
Material	Stainless steel	Stainless steel	
Productview	Page 522	Page 522	



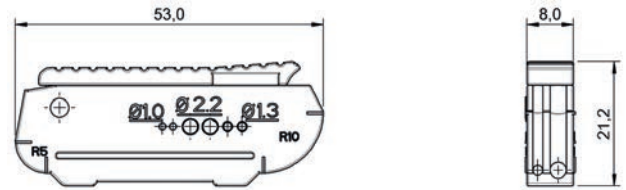
BAE00MR BAE PD-US-007-S92	BAM000E BFO CT	BAM02RY BAM TO-XA-013-01	BAM00ZN BAM TO-CC-001-A3-1,5/24,0
Teach adapter	Cutter template	Tool set	Torque handle
for ultrasonic sensors BUS	for photoelectric fiber optics BFO	for installation	for connectors 7/8"
Pin1 to Pin5	—	—	—
M12x1-Female, 5-pole	—	—	—
M12x1-Male, 5-pole	—	—	—
12 x 30 x 300 mm	21 x 8 x 53 mm	10 x 15 x 55 mm	—
PA	Plastic	Plastic	Stainless steel
-25...80 °C	—	—	—
IP67	—	—	—
CE	—	—	—
Page 522	Page 522	Page 522	Page 522



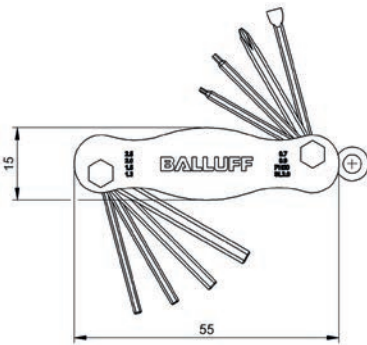
BAM0291 BAM TO-XA-009-A-0,7-2,0			
Hex key set			
for installation			
Stainless steel Plastic			
Page 522			



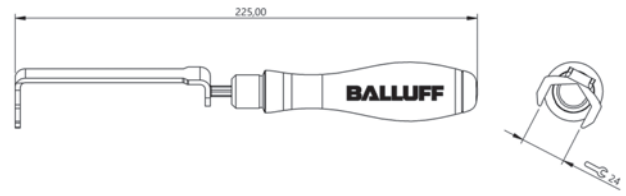
BAE00E5, BAE00E6, BAE00MR



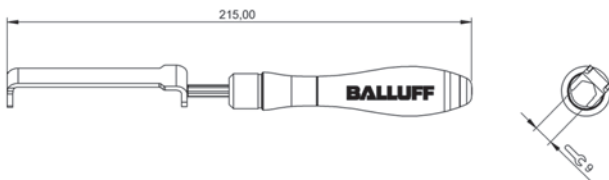
BAM000E



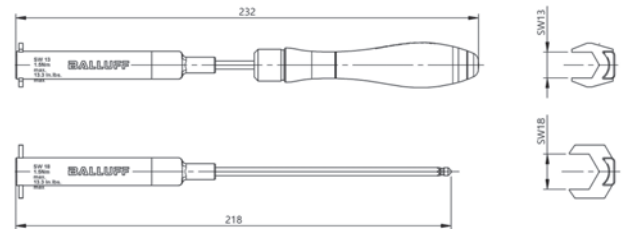
BAM02RY



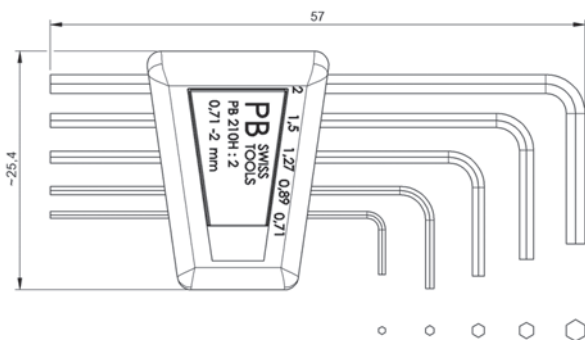
BAM00ZN



BAM00ZL



BAM033L



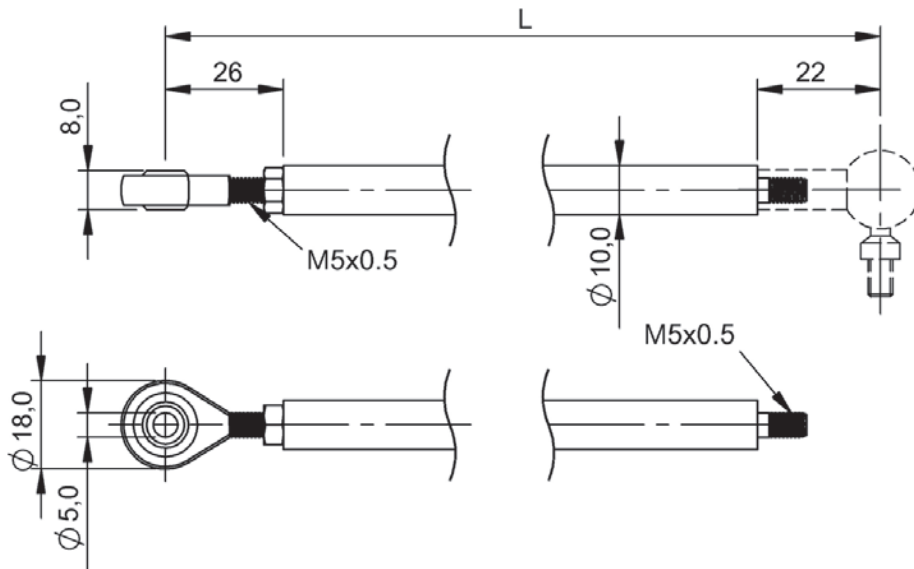
BAM0291



	BAM00P BTL2-GS10-0100-A	BAM00ZA BTL2-GS10-0250-A	
Principle of operation	BTL control arm	BTL control arm	
Material	Aluminum anodized	Aluminum anodized	
Dimension	Ø 10 x 100 mm	Ø 10 x 250 mm	
Mounting	Ø 5H7 eye/M5x0.8 connector	Ø 5H7 eye/M5x0.8 connector	
Productview	Page 526	Page 526	



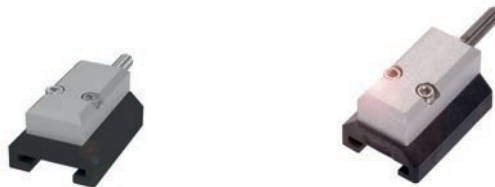
	BAM0006 BTL2-GS10-0500-A	BAM00ZJ BTL2-GS10-1000-A	BAM023Y BTL2-GS10-2500-A	
	BTL control arm	BTL control arm	BTL control arm	
	Aluminum anodized	Aluminum anodized	Aluminum anodized	
	Ø 10 x 500 mm	Ø 10 x 1000 mm	Ø 10 x 2500 mm	
	Ø 5H7 eye/M5x0.8 connector	Ø 5H7 eye/M5x0.8 connector	Ø 5H7 eye/M5x0.8 connector	
	Page 526	Page 526	Page 526	



BAM000P, BAM00ZA, BAM0006, BAM00ZJ, BAM023Y



	BAM014M BTL5-P-3800-2	BAM014P BTL5-P-4500-1	
Principle of operation	BTL magnets, profile style	BTL magnets, profile style	
Version	floating	floating	
Material	POM	POM	
Dimension	37.6 x 14 x 20 mm	45 x 40 x 28 mm	
Distance min. to BTL	0.1 mm	0.1 mm	
Distance max. to BTL	4 mm	2 mm	
Ambient temperature	-40...85 °C	-40...60 °C	
Productview	Page 530	Page 530	



	BAM014K BTL5-M-2814-1S	BAM014L BTL5-N-2814-1S	
Principle of operation	BTL magnets, profile style	BTL magnets, profile style	
Version	captive	captive	
Material	Aluminum Iglidur J	Aluminum Iglidur J	
Dimension	28 x 20.5 x 41 mm	28 x 23 x 41 mm	
Distance min. to BTL	—	—	
Distance max. to BTL	—	—	
Ambient temperature	-40...85 °C	-40...85 °C	
Productview	Page 530	Page 530	

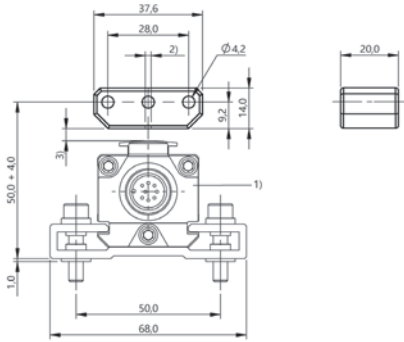


	BAM014T BTL5-P-5500-2	BAM014W BTL6-A-3800-2	BAM014Z BTL6-A-3801-2	BAM014H BTL5-F-2814-1S
	BTL magnets, profile style	BTL magnets, profile style	BTL magnets, profile style	BTL magnets, profile style
	floating	floating	floating	captive
	POM	POM	POM	Iglidur J
	55 x 20 x 21 mm	37.6 x 29 x 21 mm	37.6 x 18.3 x 21 mm	28 x 29.9 x 40 mm
	5.0 mm	4.0 mm	4.0 mm	—
	15 mm	8 mm	8 mm	—
	-40...85 °C	-40...85 °C	-40...85 °C	-40...85 °C
	Page 530	Page 530	Page 530	Page 530



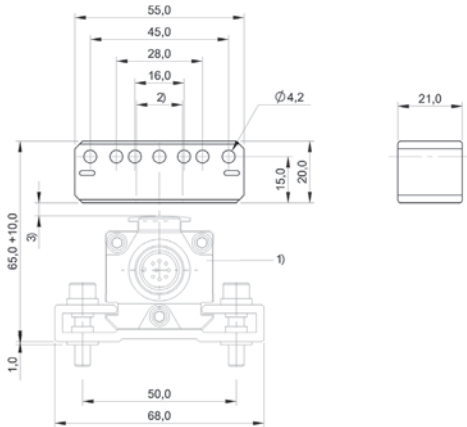
	BAM01FC BTL5-T-2814-1S		
	BTL magnets, profile style		
	captive		
	Iglidur J		
	28 x 16.5 x 40 mm		
	—		
	—		
	-40...85 °C		
	Page 531		

530 | Accessories | Mechanical Accessories



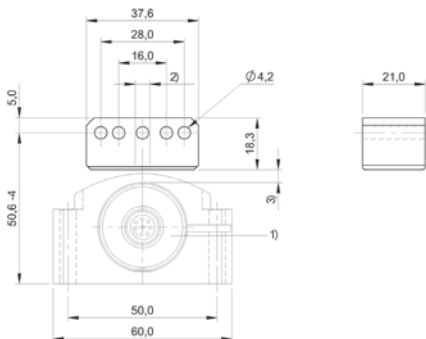
1) not included in scope of delivery, 2) Lateral offset, 3) Distance to BTL

BAM014M



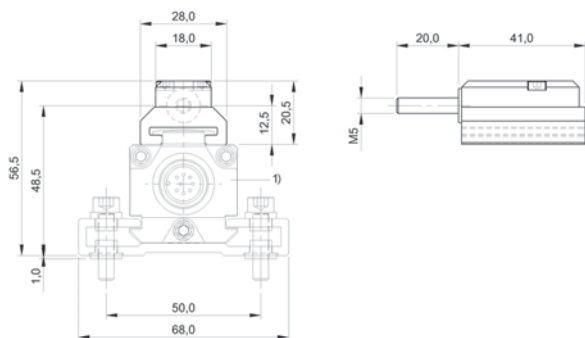
1) not included in scope of delivery, 2) Lateral offset, 3) Distance to BTL

BAM014T



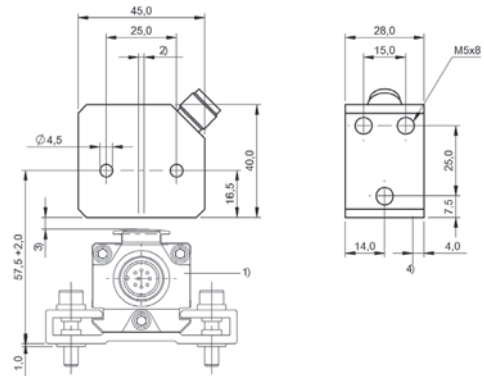
1) not included in scope of delivery, 2) Lateral offset, 3) Distance to BTL

BAM014Z



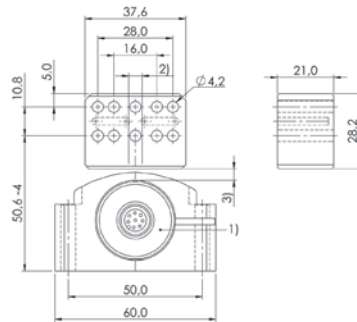
1) not included in scope of delivery

BAM014K



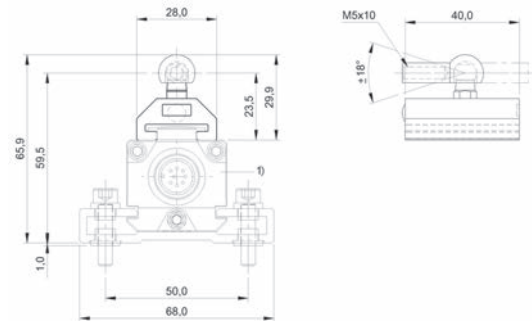
1) not included in scope of delivery, 2) Lateral offset, 3) Distance to BTL, 4) Null point offset for measuring range

BAM014P



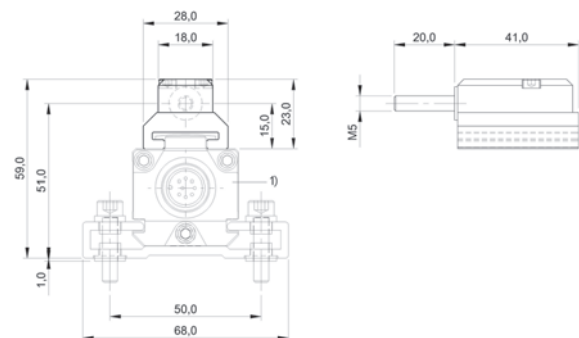
1) not included in scope of delivery, 2) Lateral offset, 3) Distance to BTL

BAM014W



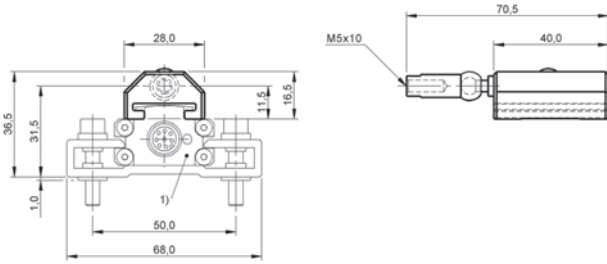
1) not included in scope of delivery

BAM014H



1) not included in scope of delivery

BAM014L



1) not included in scope of delivery

BAM01FC



	BAM01A2 BTL-S-3112-4Z	BAM01KA BTL-S-3112-4Z-SA10	
Principle of operation	BTL magnet, float	BTL magnet, float	
Version	—	—	
Material	Stainless steel (1.4404)	Stainless steel (1.4404)	
Dimension	Ø 31 x 69 mm	Ø 31 x 69 mm	
Inside diameter	11.7 mm	11.7 mm	
Ambient temperature	-20...130 °C	-20...130 °C	
Productview	Page 536	Page 536	



	BAM0147 BTL2-S-4414-4Z-EX	BAM0148 BTL2-S-4414-4Z01-EX	
Principle of operation	BTL magnet, float	BTL magnet, float	
Version	Ex	Ex	
Material	Stainless steel (1.4404)	Stainless steel (1.4404)	
Dimension	Ø 44 x 49 mm	Ø 44 x 49 mm	
Inside diameter	13.0 mm	13.0 mm	
Ambient temperature	-20...120 °C	-20...120 °C	
Productview	Page 536	Page 536	



BAM024J BTL2-S-3212-4Z	BAM0146 BTL2-S-4414-4Z	BAM0149 BTL2-S-5113-4K	BAM014C BTL2-S-6216-8P
BTL magnet, float	BTL magnet, float	BTL magnet, float	BTL magnet, float
—	—	—	—
Stainless steel (1.4404)	Stainless steel (1.4404)	Stainless steel (1.4404)	Stainless steel (1.4541)
Ø 32 x 53 mm	Ø 44 x 49 mm	Ø 50.9 x 52 mm	Ø 62 x 80 mm
11.7 mm	13.0 mm	13.0 mm	16.0 mm
-20...120 °C	-20...120 °C	-20...120 °C	-20...120 °C
Page 536	Page 536	Page 536	Page 536



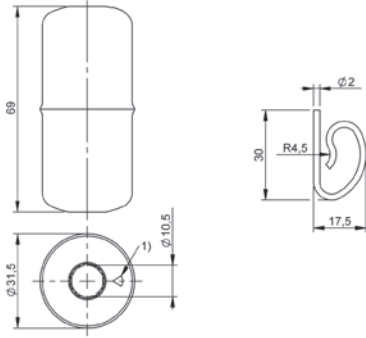
BAM014A BTL2-S-5113-4K-EX	BAM014E BTL2-S-6216-8P-EX	BAM013H BTL-P-0814-GR-PAF	BAM013J BTL-P-1012-4R
BTL magnet, float	BTL magnet, float	BTL magnet, rod	BTL magnet, rod
Ex	Ex	—	—
Stainless steel (1.4404)	Stainless steel (1.4541)	PA 6	Aluminum
Ø 50.9 x 52 mm	Ø 62 x 80 mm	Ø 17.2 x 5 mm	Ø 25 x 8 mm
13.0 mm	16.0 mm	14.0 mm	12.0 mm
-20...120 °C	-20...120 °C	-40...60 °C	-40...100 °C
Page 537	Page 537	Page 537	Page 537



	BAM013K BTL-P-1012-4R-PA	BAM013L BTL-P-1013-4R	
Principle of operation	BTL magnet, rod	BTL magnet, rod	
Version	—	—	
Material	PA	Aluminum	
Dimension	Ø 25 x 8 mm	Ø 32 x 8 mm	
Inside diameter	12.0 mm	13.0 mm	
Ambient temperature	-40...100 °C	-40...100 °C	
Productview	Page 537	Page 537	

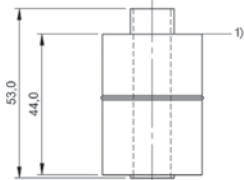
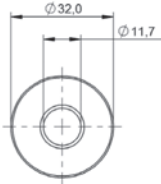


	BAM013M BTL-P-1013-4R-PA	BAM013P BTL-P-1013-4S	BAM013R BTL-P-1014-2R	BAM013Y BTL-P-1028-15R
	BTL magnet, rod	BTL magnet, rod	BTL magnet, rod	BTL magnet, rod
	—	—	—	—
	PA	Aluminum	Aluminum	Aluminum
	Ø 32 x 8 mm	Ø 32 x 8 mm	Ø 21.9 x 8 mm	Ø 65 x 8 mm
	13.0 mm	13.0 mm	13.5 mm	28.0 mm
	-40...100 °C	-40...100 °C	-40...100 °C	-40...85 °C
	Page 537	Page 537	Page 537	Page 537



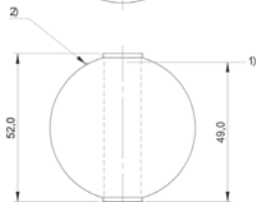
1) Designation for upper side

BAM01A2



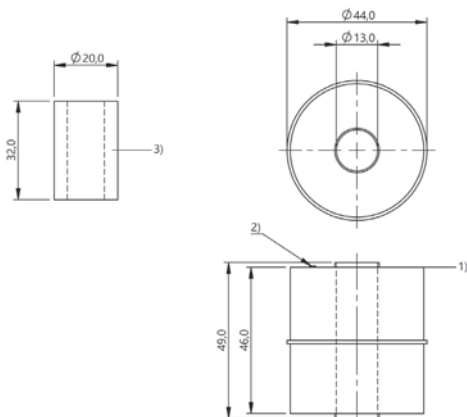
1) Reference point

BAM024J



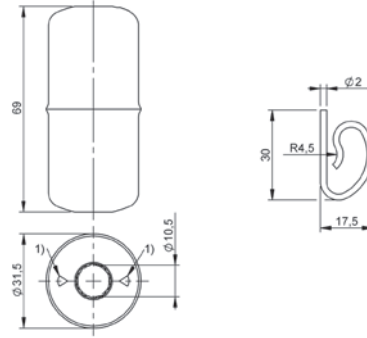
1) Reference point, 2) Designation for upper side

BAM0149



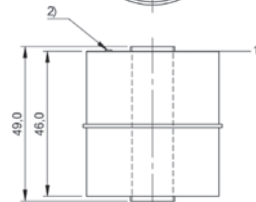
1) Reference point, 2) Designation for upper side, 3) Spacer

BAM0147



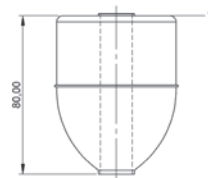
1) Designation for upper side

BAM01KA



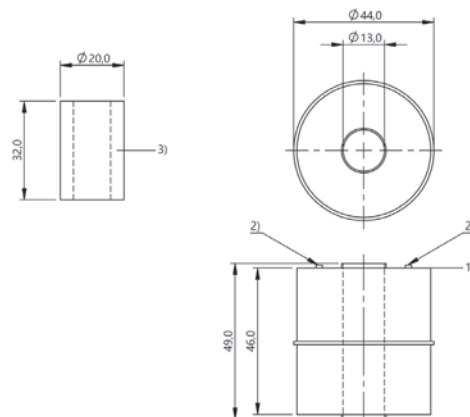
1) Reference point, 2) Designation for upper side

BAM0146



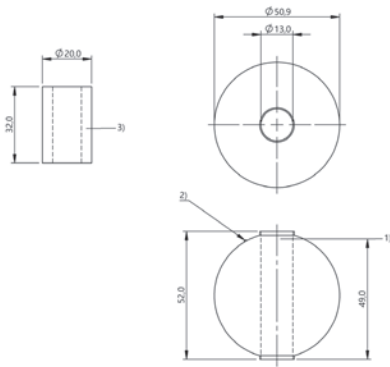
1) Reference point

BAM014C



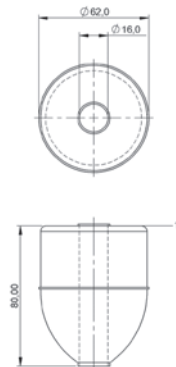
1) Reference point, 2) Designation for upper side, 3) Spacer

BAM0148



1) Reference point, 2) Designation for upper side, 3) Spacer

BAM014A

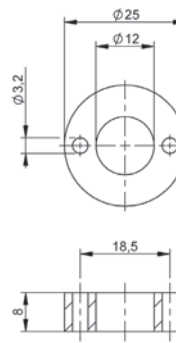


1) Reference point

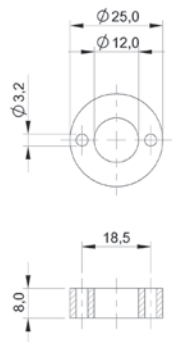
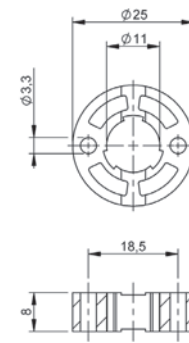
BAM014E



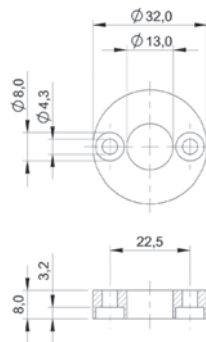
BAM013H



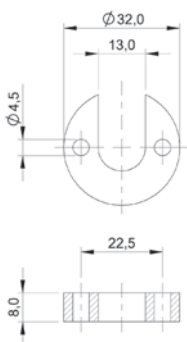
BAM013J



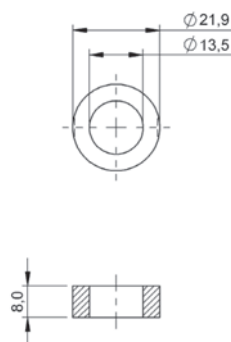
BAM013K



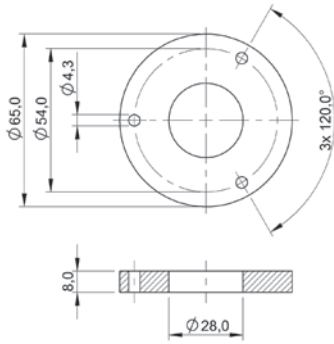
BAM013L, BAM013M



BAM013P



BAM013R



BAM013Y



	BAM032U BAM IA-MS-030-A5	BAM01JT BAM IA-XA-003-4x5-Y	
Principle of operation	—	—	
Version	Info pouch A5, magnetic	Label plates	
Use	For label holder	For the marking of network module	
Material	PET	ABS (white)	
Dimension	3 x 225 x 163 mm	133 x 1 x 83 mm	
Mounting	magnetic	Clamps	
Ambient temperature	-30...120 °C	—	
Productview	Page 542	Page 542	



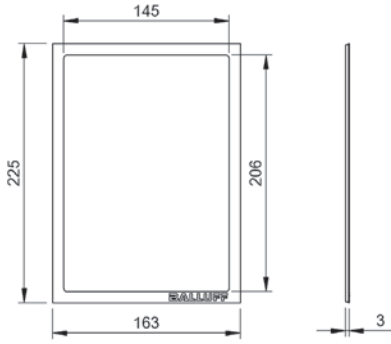
	BAM01HJ BAM AP-US-002-M18-0	BAM0270 BAM TG-ID-016-A01	
Principle of operation	—	Actuator	
Version	Focusing attachment	Actuator	
Use	For ultrasonic sensors BUS	For locking fixture BID	
Material	POM	Stainless steel	
Dimension	Ø 25 x 80 mm	17 x 32 x 48 mm	
Mounting	Thread M18x1	Screw M5	
Ambient temperature	—	—	
Productview	Page 542	Page 542	



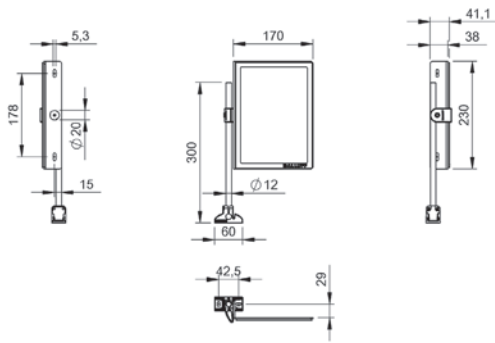
BAM032W BAM IA-XA-023-01	BAE00EF BTL7-A-CB02-K	BAE00E1 BTL7-A-CB02-S115	BAE00EC BTL7-A-CB02-S32
—	Calibration box	Calibration box	Calibration box
Label plates	—	—	—
For signaling and display units	For magnetostrictive sensors BTL	For magnetostrictive sensors BTL	For magnetostrictive sensors BTL
Anodized aluminum Die-cast zinc Galvanized steel PP	ABS	ABS	ABS
41 x 300 x 187 mm	61 x 25 x 732 mm	61 x 25 x 732 mm	61 x 25 x 732 mm
Clamps, Screw M5	—	—	—
—	0...50 °C	0...50 °C	0...50 °C
Page 542	Page 542	Page 542	Page 542



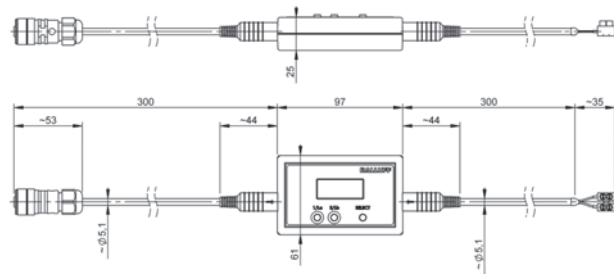
BAM0271 BAM TG-ID-016-H01	BAM0272 BAM TG-ID-016-H02		
Actuator	Actuator		
Actuator	Actuator		
For locking fixture BID	For locking fixture BID		
Aluminum	Aluminum		
145 x 72 x 113 mm	145 x 94 x 113 mm		
Screw M5	Screw M5		
—	—		
Page 543	Page 543		



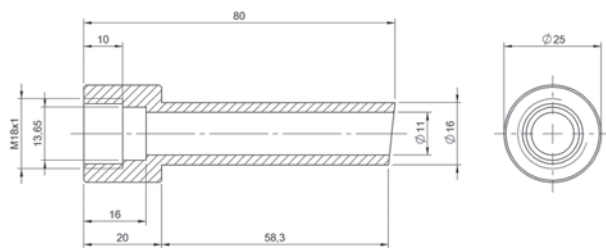
BAM032U



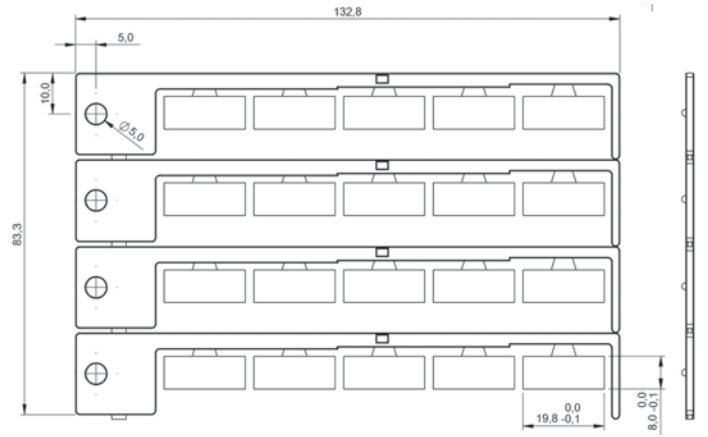
BAM032W



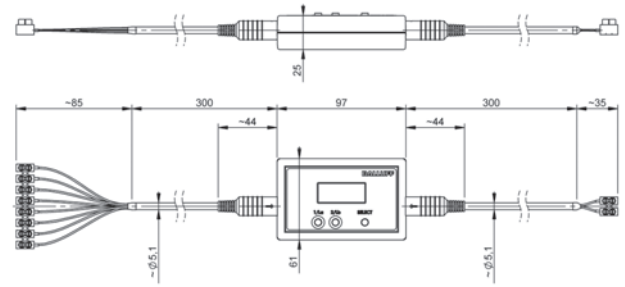
BAE00E1



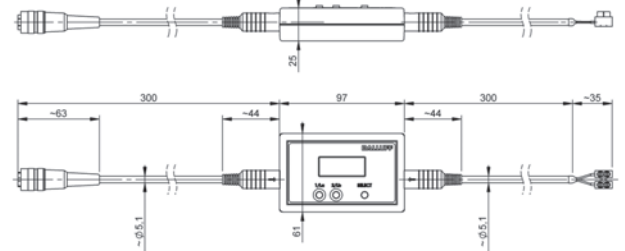
BAM01HJ



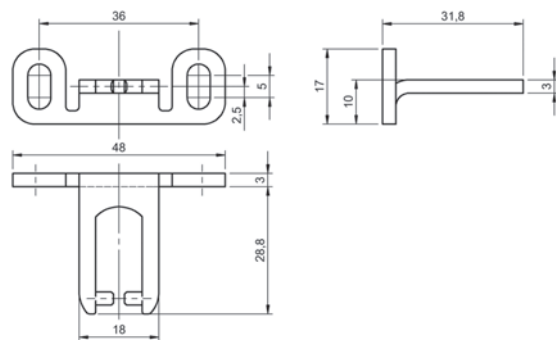
BAM01JT



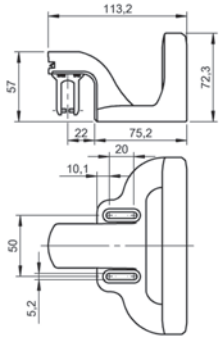
BAE00EF



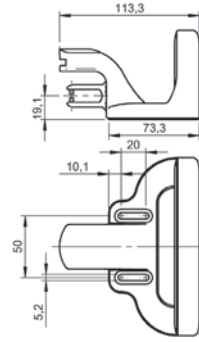
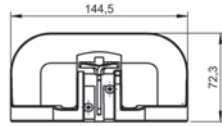
BAE00EC



BAM0270



BAM0271



BAM0272

Sensors

RFID

Machine Vision and
Optical Identification

Human Machine
Interfaces

Systems

Safety

Industrial Networking

Power Supply

Connectivity

Accessories

Optimum lighting conditions for your application

LIGHTING FOR VISION SYSTEMS AND MACHINES

Balluff offers a wide range of rugged lights for your various installation spaces and tasks: for optimal lighting conditions in image processing and for machine lighting.

The energy-saving and long-lasting LED technology impresses with its homogeneous optical properties. Moreover, Balluff lighting options guarantee eye safety in accordance with IEC 62471. You can select between red light, white light, infrared light or laser variants.

The most important benefits

- Highest quality (extensive EMC tests, high protection class)
- Easy and fast assembly
- Simple startup
- Rugged, long service life

DEXYÍ[®]





Sensors

RFID

Machine Vision and
Optical Identification

Human Machine
Interfaces

Systems

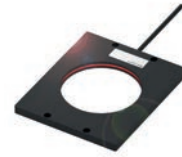
Safety

Industrial Networking

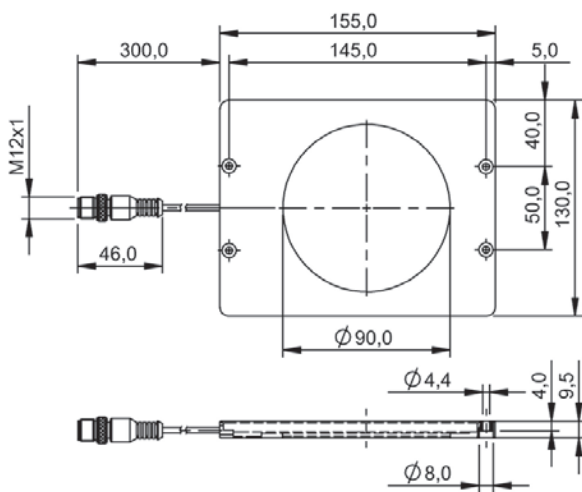
Power Supplies

Connectivity

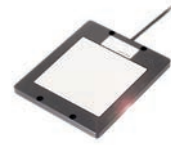
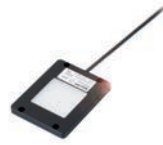
Accessories



	BAE00AM BAE LX-VS-DR090
Connection	Cable with connector, M12x1 connector, 4-pin, 0.30 m
Version	Dark field light
Dimension	130 x 9.5 x 155 mm
Rated operating voltage Ue DC	24 V
Current draw max.	416 mA
Operating mode	Normal
Material	Aluminum anodized, black PMMA
Illumination area	Ø 90 mm
Light type	LED, red light
Wave length	617 nm
Illuminance (0.1 m)	2250 Lux
Ambient temperature	-10...55 °C
Approval/Conformity	CE, EAC
Protection degree	IP40



BAE00AM



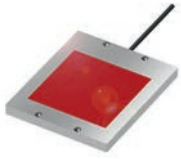
	BAE00KR BAE LX-VS-HI050	BAE00FR BAE LX-VS-HI100	
Connection	Cable with connector, M12x1 connector, 4-pin, 0.30 m	Cable with connector, M12x1 connector, 4-pin, 0.30 m	
Version	Background light	Background light	
Dimension	80 x 9.5 x 105 mm	130 x 12 x 155 mm	
Rated operating voltage Ue DC	24 V	24 V	
Current draw max.	375 mA	500 mA	
Operating mode	Normal	Normal	
Digital inputs	Trigger	Trigger	
Material	Aluminum anodized, black Glass PMMA	Aluminum anodized, black Glass PMMA	
Illumination area	50 x 50 mm	100 x 100 mm	
Light type	LED infrared	LED infrared	
Wave length	875 nm	875 nm	
Illuminance (0.1 m)	—	—	
Beam angle	35 ° x 35 °	55° x 55°	
Ambient temperature	-10...55 °C	-10...55 °C	
Approval/Conformity	CE, EAC	CE, EAC	
Protection degree	IP54	IP54	
Productview	Page 552	Page 552	



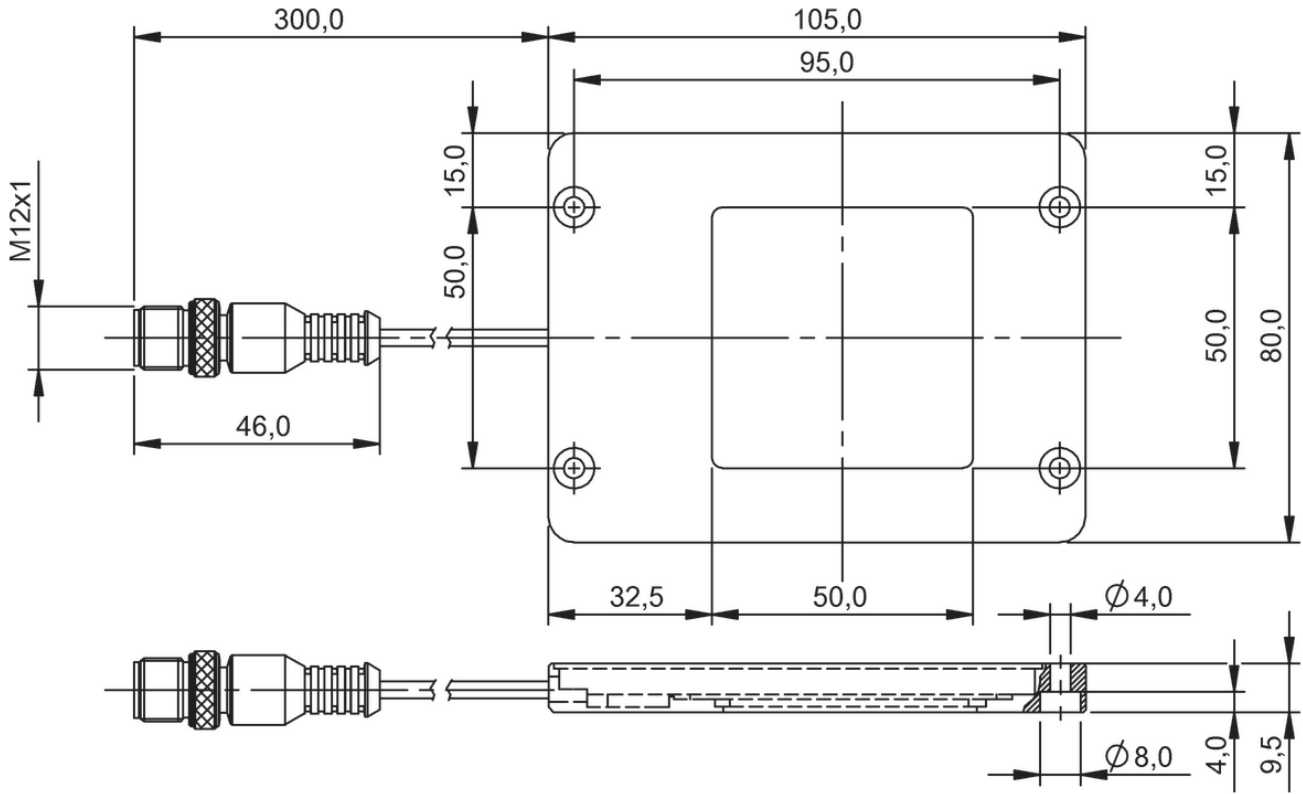
	BAE00KP BAE LX-VS-HI150	BAE00JE BAE LX-VS-HI200	BAE00WM BAE LX-VS-HI300	BAE000E BAE LX-VS-HR025
	Cable with connector, M12x1 connector, 4-pin, 0.30 m	Cable with connector, M12x1 connector, 4-pin, 0.30 m	Cable with connector, M12x1 connector, 4-pin, 0.30 m	Cable with connector, M12x1 connector, 4-pin, 0.30 m
	Background light	Background light	Background light	Background light
	130 x 9.5 x 205 mm	180 x 9.5 x 255 mm	255 x 9.5 x 330 mm	43 x 9.5 x 64.5 mm
	24 V	24 V	24 V	24 V
	830 mA	708 mA	1500 mA	208 mA
	Normal	Normal	Normal	Normal
	Trigger	Trigger	Trigger	—
	Aluminum anodized, black Glass PMMA	Aluminum anodized, black Glass PMMA	Aluminum anodized, black Glass PMMA	Aluminum anodized, black Glass PMMA
	150 x 100 mm	200 x 150 mm	300 x 200 mm	25 x 25 mm
	LED infrared	LED infrared	LED infrared	LED, red light
	875 nm	875 nm	875 nm	617 nm
	—	—	—	350 Lux
	80 ° x 60 °	100 ° x 80 °	—	40 ° x 40 °
	-10...55 °C	-10...55 °C	-10...55 °C	-10...55 °C
	CE, EAC	CE, EAC	CE, EAC	CE, EAC
	IP54	IP54	IP54	IP54
	Page 553	Page 553	Page 554	Page 554



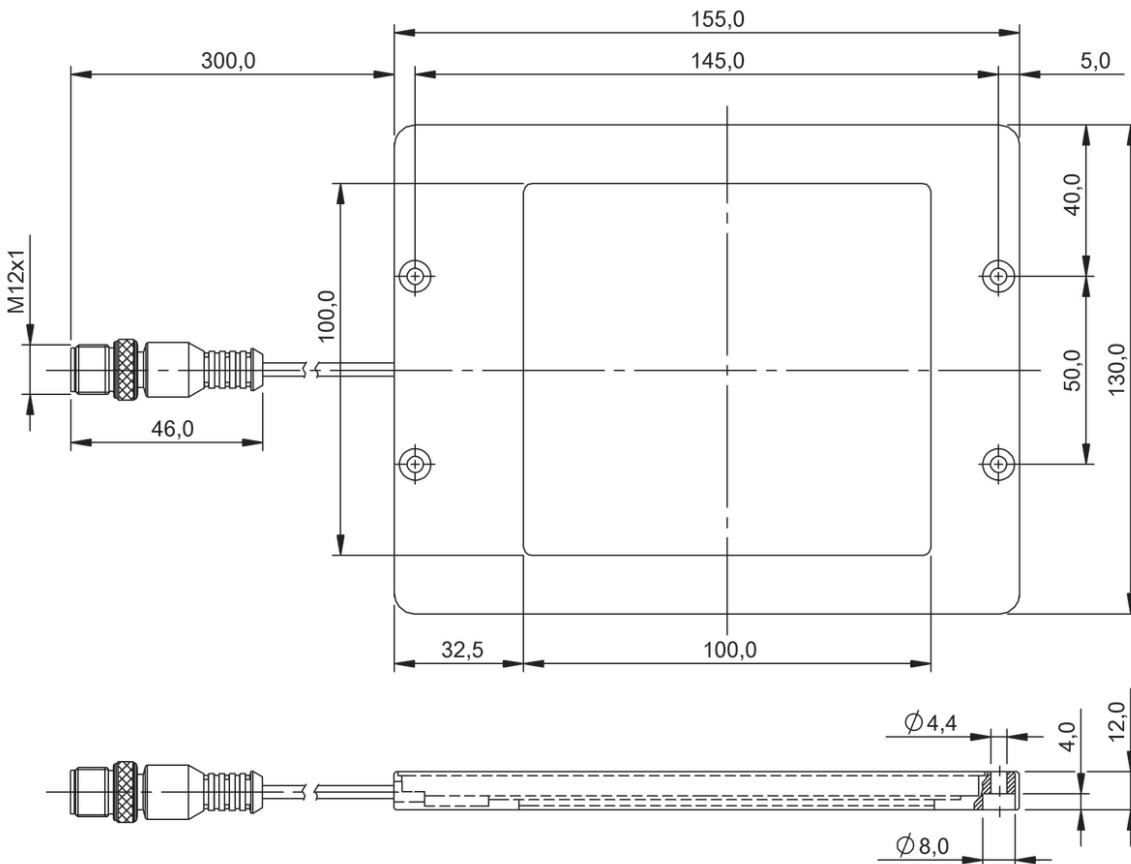
	BAE000F BAE LX-VS-HR050	BAE000H BAE LX-VS-HR100	
Connection	Cable with connector, M12x1 connector, 4-pin, 0.30 m	Cable with connector, M12x1 connector, 4-pin, 0.30 m	
Version	Background light	Background light	
Dimension	80 x 9.5 x 105 mm	130 x 12 x 155 mm	
Rated operating voltage Ue DC	24 V	24 V	
Current draw max.	250 mA	416 mA	
Operating mode	Normal	Normal	
Digital inputs	Trigger	Trigger	
Material	Aluminum anodized, black Glass PMMA	Aluminum anodized, black Glass PMMA	
Illumination area	50 x 50 mm	100 x 100 mm	
Light type	LED, red light	LED, red light	
Wave length	617 nm	617 nm	
Illuminance (0.1 m)	1250 Lux	3700 Lux	
Beam angle	42 ° x 42 °	55° x 55°	
Ambient temperature	-10...55 °C	-10...55 °C	
Approval/Conformity	CE, EAC	CE, EAC	
Protection degree	IP54	IP54	
Productview	Page 552	Page 552	



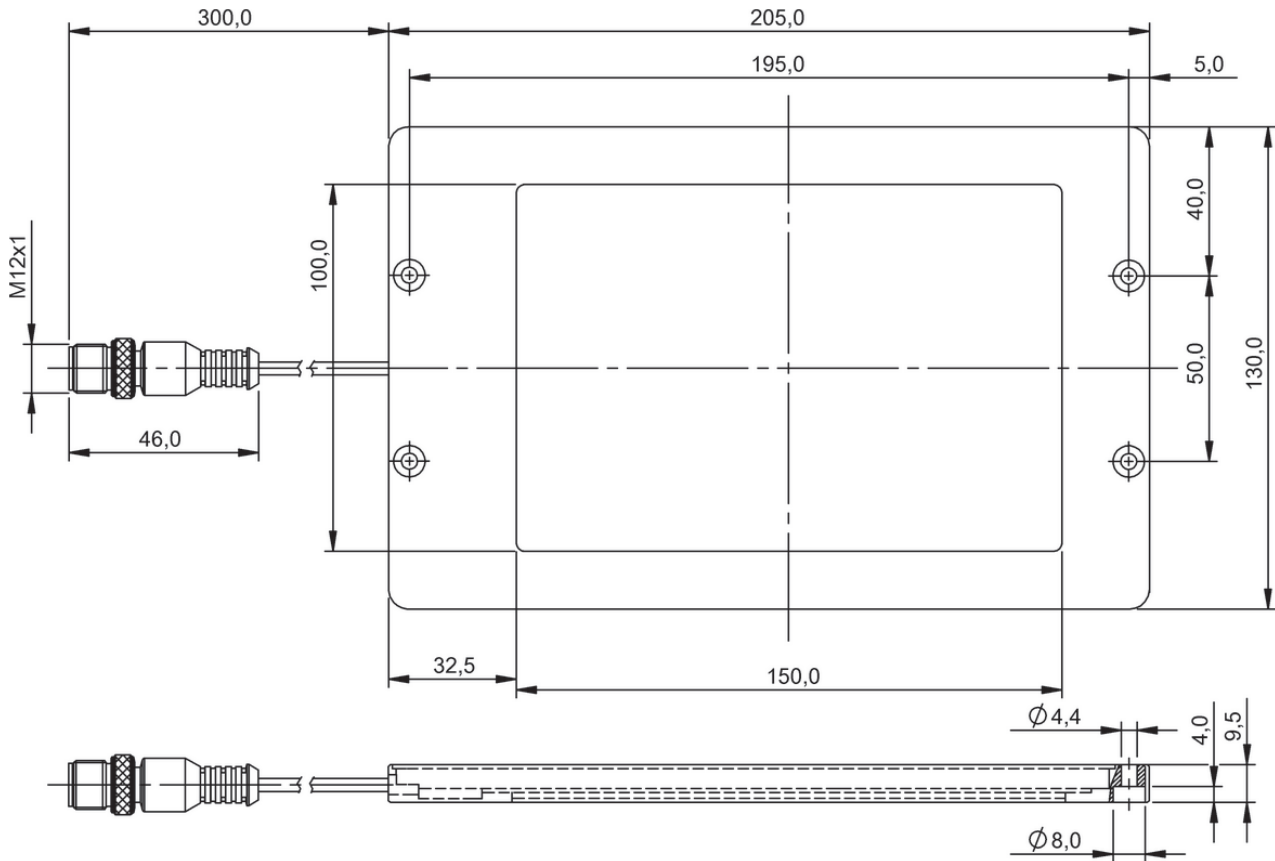
	BAE00JF BAE LX-VS-HR100-E	BAE00C5 BAE LX-VS-HR150	BAE00JC BAE LX-VS-HR200	BAE00MU BAE LX-VS-HR300
	Cable with connector, M12x1 connector, 4-pin	Cable with connector, M12x1 connector, 4-pin, 0.30 m	Cable with connector, M12x1 connector, 4-pin, 0.30 m	Cable with connector, M12x1 connector, 4-pin, 0.30 m
	Background light	Background light	Background light	Background light
	130 x 12 x 155 mm	130 x 9.5 x 205 mm	180 x 9.5 x 255 mm	255 x 9.5 x 330 mm
	24 V	24 V	24 V	24 V
	416 mA	500 mA	625 mA	1000 mA
	Normal	Normal	Normal	Normal
	Trigger	Trigger	Trigger	Trigger
	Stainless steel (1.4301) Glass PMMA	Aluminum anodized, black Glass PMMA	Aluminum anodized, black Glass PMMA	Aluminum anodized, black Glass PMMA
	100 x 100 mm	150 x 100 mm	200 x 150 mm	300 x 200 mm
	LED, red light	LED, red light	LED, red light	LED, red light
	617 nm	617 nm	617 nm	617 nm
	3700 Lux	4800 Lux	5100 Lux	4750 Lux
	55° x 55°	80° x 60°	100° x 80°	—
	-10...55 °C	-10...55 °C	-10...55 °C	-10...55 °C
	CE, EAC	CE, EAC	CE, EAC	CE, EAC
	IP69K	IP54	IP54	IP54
	Page 552	Page 553	Page 553	Page 554



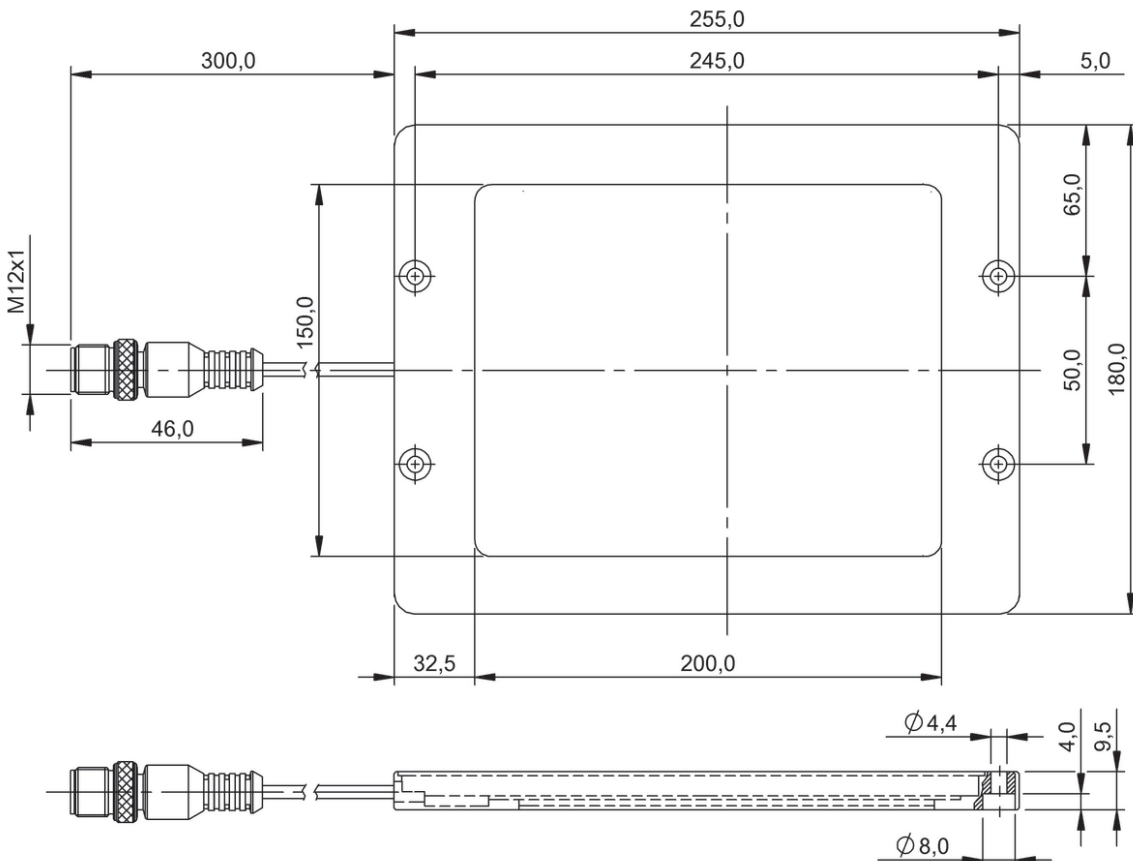
BAE00KR, BAE000F



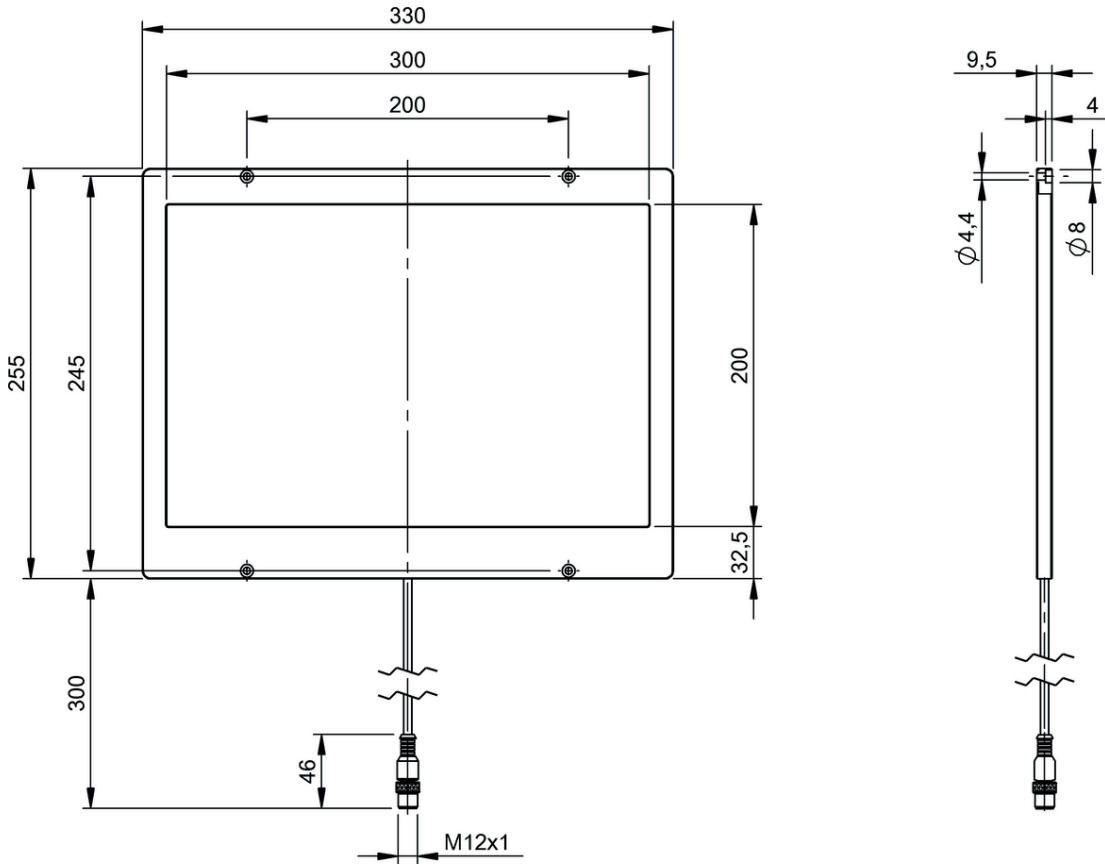
BAE00FR, BAE000H, BAE00JF



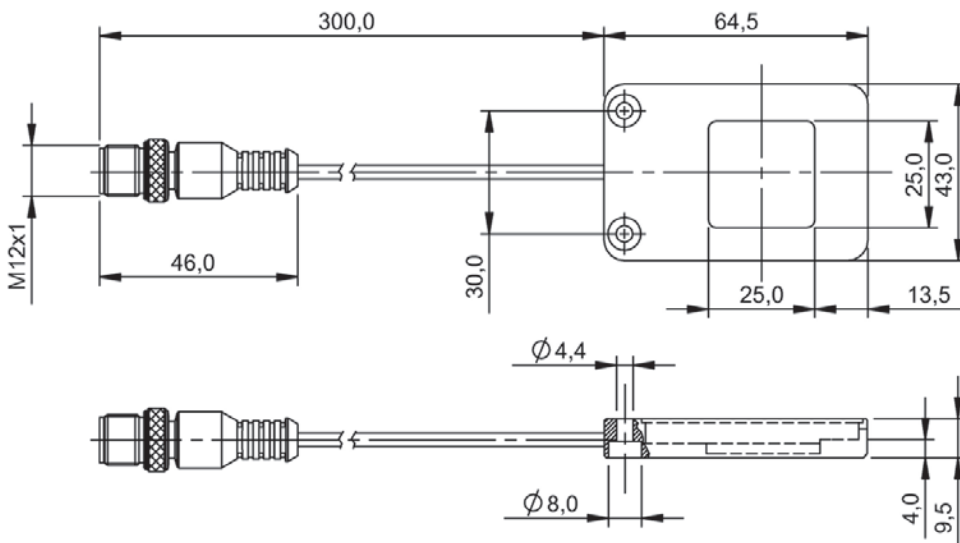
BAE00KP, BAE00C5



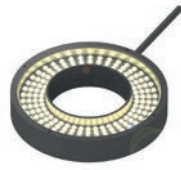
BAE00JE, BAE00JC



BAE00WM, BAE00MU



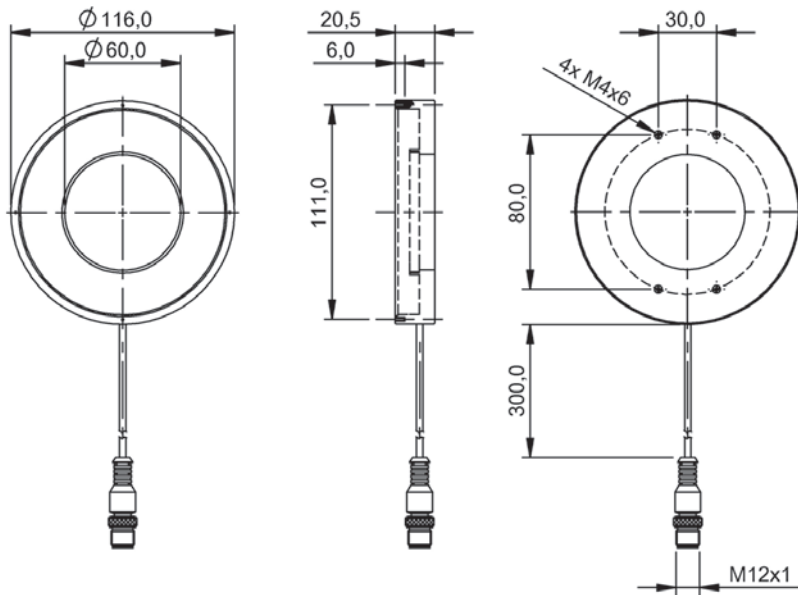
BAE000E



	BAE000K BAE LX-VS-RH100	
Connection	Cable with connector, M12x1 connector, 4-pin, 0.30 m	
Version	Ring light	
Dimension	Ø 116 x 20.5 mm	
Rated operating voltage Ue DC	24 V	
Current draw max.	750 mA, 1370 mA (Boost mode)	
Operating mode	Normal, Boost	
Material	Aluminum anodized, black Glass	
Illumination area	Ø 100 mm/Ø 60 mm	
Light type	LED infrared	
Wave length	875 nm	
Illuminance (0.1 m)	—	
Beam angle	30 °	
Ambient temperature	-10...55 °C	
Approval/Conformity	CE, EAC	
Protection degree	IP54	
Productview	Page 558	



BAE000J BAE LX-VS-RR100	BAE000AN BAE LX-VS-RW100
Cable with connector, M12x1 connector, 4-pin, 0.30 m	Cable with connector, M12x1 connector, 4-pin, 0.30 m
Ring light	Ring light
Ø 116 x 20.5 mm	Ø 116 x 20.5 mm
24 V	24 V
830 mA, 1370 mA (Boost mode)	410 mA, 830 mA (Boost mode)
Normal, Boost	Normal, Boost
Aluminum anodized, black Glass	Aluminum anodized, black Glass
Ø 100 mm/Ø 60 mm	Ø 100 mm/Ø 60 mm
LED, red light	LED white light
617 nm	—
19000 Lux 32500 Lux (Boost mode)	8500 Lux 16100 Lux (Boost mode)
30 °	30 °
-10...55 °C	-10...55 °C
CE, EAC	CE, EAC
IP54	IP54
Page 558	Page 558



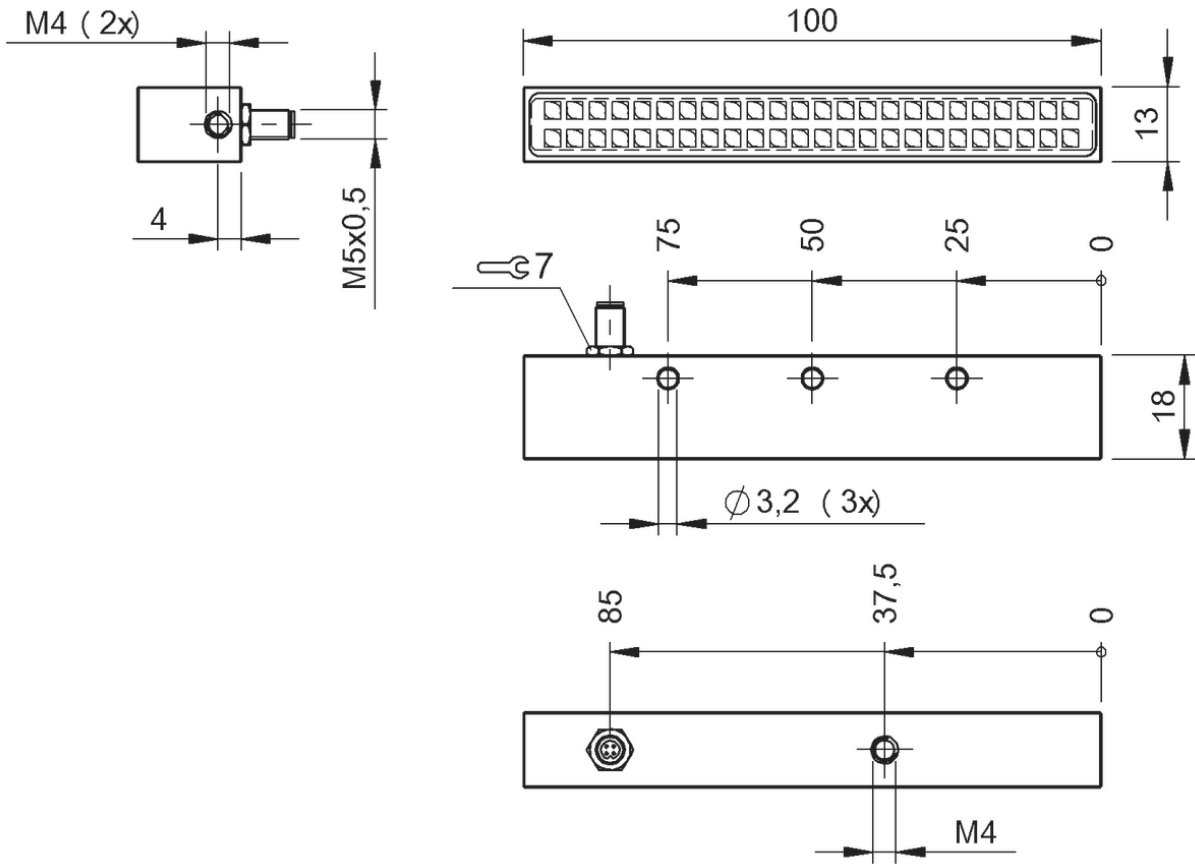
BAE000K, BAE000J, BAE00AN



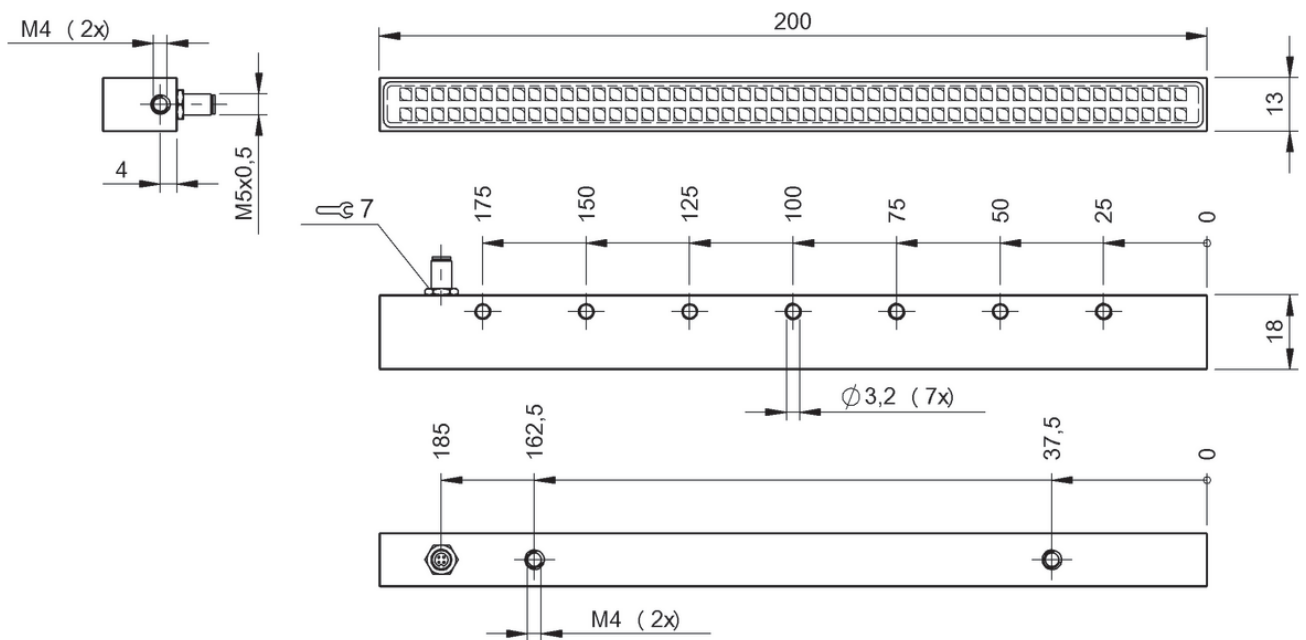
	BAE00NU BAE LX-VS-LI100-S26	BAE00NZ BAE LX-VS-LI200-S26	
Connection	Connector, M5x0.5 plug, 4-pin, 0.30 m	Connector, M5x0.5 plug, 4-pin, 0.30 m	
Version	Strip light	Strip light	
Dimension	13 x 100 x 18 mm	13 x 200 x 18 mm	
Rated operating voltage Ue DC	24 V	24 V	
Current draw max.	170 mA, 375 mA (Boost mode)	290 mA, 710 mA (Boost mode)	
Operating mode	Normal, Boost	Normal, Boost	
Digital inputs	Trigger	Trigger	
Material	Aluminum anodized, black Glass	Aluminum anodized, black Glass	
Illumination area	95 x 10 mm	195 x 10 mm	
Light type	LED infrared	LED infrared	
Wave length	875 nm	875 nm	
Illuminance (0.1 m)	—	—	
Color temperature	—	—	
Beam angle	75 ° x 30 °	115 ° x 35 °	
Ambient temperature	-10...55 °C	-10...55 °C	
Approval/Conformity	CE, EAC	CE, EAC	
Protection degree	IP54	IP54	
Productview	Page 562	Page 562	



	BAE00NT BAE LX-VS-LR100-S26	BAE00NY BAE LX-VS-LR200-S26	BAE00NW BAE LX-VS-LW100-S26	BAE00PO BAE LX-VS-LW200-S26
	Connector, M5x0.5 plug, 4-pin, 0.30 m	Connector, M5x0.5 plug, 4-pin, 0.30 m	Connector, M5x0.5 plug, 4-pin, 0.30 m	Connector, M5x0.5 plug, 4-pin, 0.30 m
	Strip light	Strip light	Strip light	Strip light
	13 x 100 x 18 mm	13 x 200 x 18 mm	13 x 100 x 18 mm	13 x 200 x 18 mm
	24 V	24 V	24 V	24 V
	170 mA, 375 mA (Boost mode)	290 mA, 710 mA (Boost mode)	125 mA, 250 mA (Boost mode)	170 mA, 450 mA (Boost mode)
	Normal, Boost	Normal, Boost	Normal, Boost	Normal, Boost
	Trigger	Trigger	Trigger	Trigger
	Aluminum anodized, black Glass	Aluminum anodized, black Glass	Aluminum anodized, black Glass	Aluminum anodized, black Glass
	95 x 10 mm	195 x 10 mm	95 x 10 mm	195 x 10 mm
	LED, red light	LED, red light	LED white light	LED white light
	617 nm	617 nm	—	—
	6400 Lux 13500 Lux (Boost mode)	7150 Lux 15100 Lux (Boost mode)	2800 Lux 6200 Lux (Boost mode)	3000 Lux 7850 Lux (Boost mode)
	—	—	5600 K	5600 K
	75 ° x 30 °	115 ° x 35 °	80 ° x 35 °	120 ° x 40 °
	-10...55 °C	-10...55 °C	-10...55 °C	-10...55 °C
	CE, EAC	CE, EAC	CE, EAC	CE, EAC
	IP54	IP54	IP54	IP54
	Page 562	Page 562	Page 562	Page 562

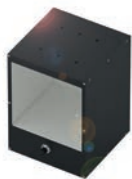


BAE00NU, BAE00NT, BAE00NW



BAE00NZ, BAE00NY, BAE00PO

Connection	
Version	
Dimension	
Rated operating voltage Ue DC	
Current draw max.	
Operating mode	
Material	
Illumination area	
Light type	
Wave length	
Illuminance (0.1 m)	
Beam angle	
Ambient temperature	
Approval/Conformity	
Protection degree	
Productview	



BAE00JA BAE LX-VS-0R100	BAE00J9 BAE LX-VS-0R50
Connector, M8x1 connector, 3-pin	Connector, M8x1 connector, 3-pin
Coax lighting	Coax lighting
150 x 110 x 108 mm	106 x 57 x 67 mm
24 V	24 V
625 mA	250 mA
Normal	Normal
Aluminum anodized, black Glass	Aluminum anodized, black Glass
100 x 100 mm	50 x 50 mm
LED, red light	LED, red light
630 nm	630 nm
3550 Lux	1150 Lux
105 ° x 105 °	30 ° x 30 °
-10...55 °C	-10...55 °C
CE, EAC	CE, EAC
IP54	IP54
Page 566	Page 566

Sensors

RFID

Machine Vision and
Optical IdentificationHuman Machine
Interfaces

Systems

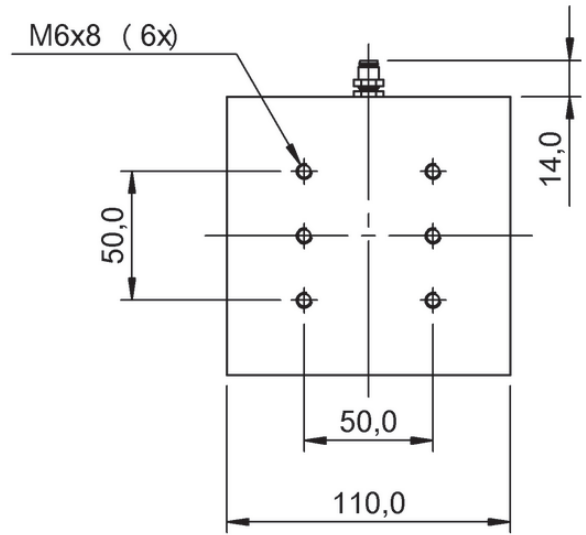
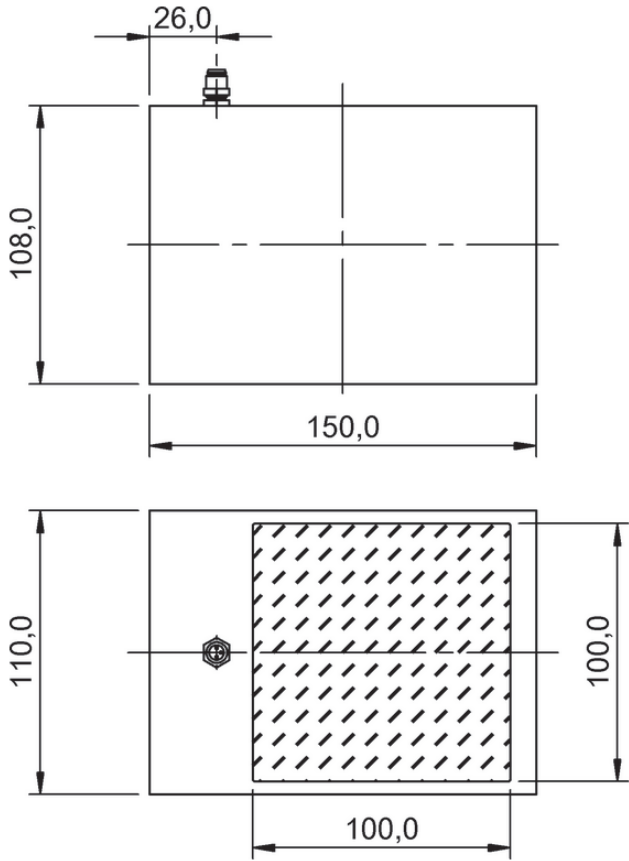
Safety

Industrial Networking

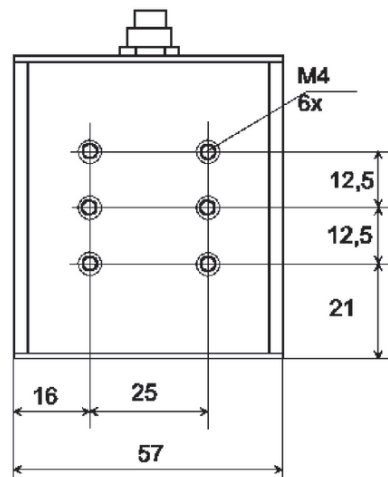
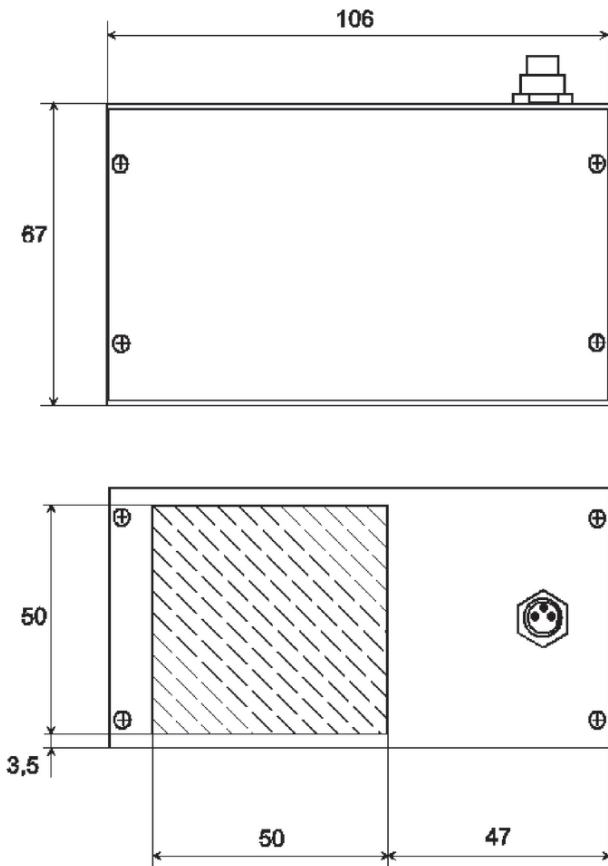
Power Supply

Connectivity

Accessories



BAE00JA



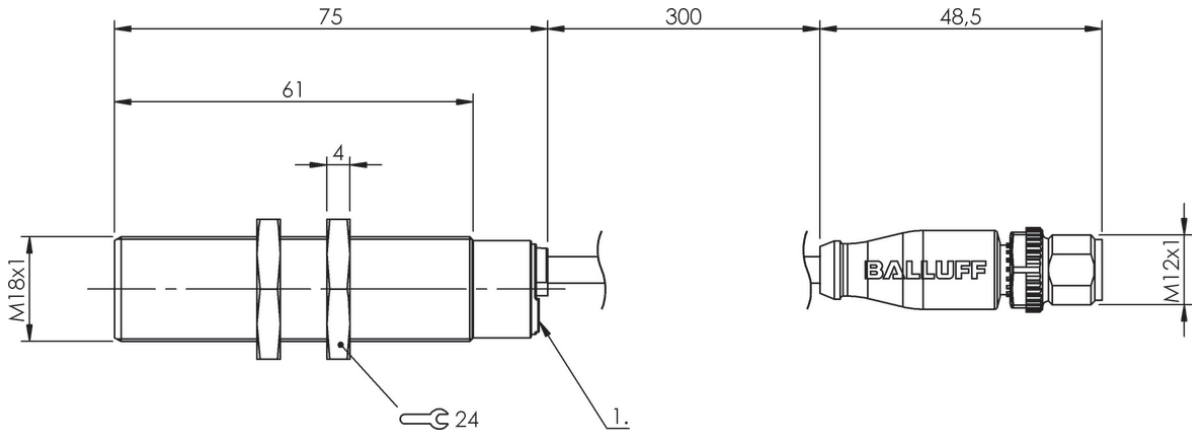
BAE00J9



	BAE00H1 BAE LX-VS-SI018	BAE00H2 BAE LX-VS-SI030	
Connection	Cable with connector, M12x1 connector, 4-pin, 0.30 m	Cable with connector, M12x1 connector, 4-pin, 0.30 m	
Version	Spotlight	Spotlight	
Dimension	Ø 18 x 75 mm	Ø 30 x 64 mm	
Rated operating voltage Ue DC	24 V	24 V	
Current draw max.	83 mA	170 mA	
Operating mode	Normal	Normal	
Digital inputs	Trigger	Trigger	
Material	Stainless steel (1.4301) Brass Glass	Stainless steel (1.4301) Brass Glass	
Illumination area	Ø 15.4 mm	Ø 27 mm	
Light type	LED infrared	LED infrared	
Wave length	875 nm	875 nm	
Illuminance (0.1 m)	—	—	
Beam angle	—	17 °	
Ambient temperature	-25...75 °C	-10...50 °C	
Approval/Conformity	CE, EAC	CE, EAC	
Protection degree	IP67	IP67	
Productview	Page 570	Page 570	

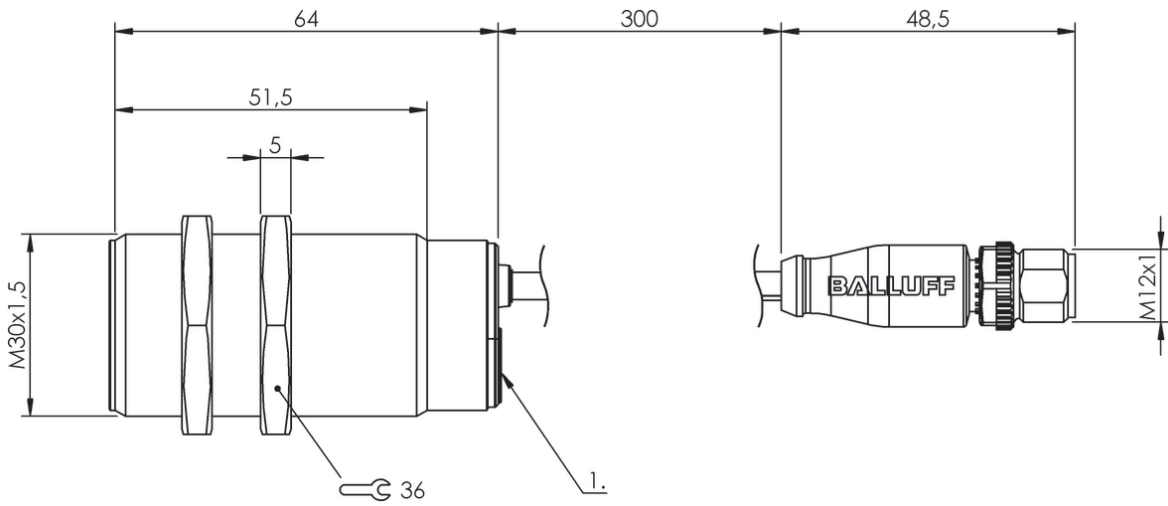


	BAE00KF BAE LX-VS-SR012	BAE00HO BAE LX-VS-SR018	BAE00FT BAE LX-VS-SR030	
	Cable with connector, M12x1 connector, 4-pin, 0.30 m	Cable with connector, M12x1 connector, 4-pin, 0.30 m	Cable with connector, M12x1 connector, 4-pin, 0.30 m	
	Spotlight	Spotlight	Spotlight	
	Ø 12 x 41.5 mm	Ø 18 x 75 mm	Ø 30 x 64 mm	
	24 V	24 V	24 V	
	83 mA	83 mA	170 mA	
	Normal	Normal	Normal	
	Trigger	Trigger	Trigger	
	Stainless steel (1.4301) PC	Stainless steel (1.4301) Brass Glass	Stainless steel (1.4301) Brass Glass	
	Ø 9 mm	Ø 15.4 mm	Ø 27 mm	
	LED, red light	LED, red light	LED, red light	
	617 nm	617 nm	617 nm	
	600 Lux	10500 Lux	13800 Lux	
	20 °	15 °	17 °	
	-10...50 °C	-10...50 °C	-10...55 °C	
	CE, EAC	CE, EAC	CE, EAC	
	IP67	IP67	IP67	
	Page 571	Page 570	Page 570	



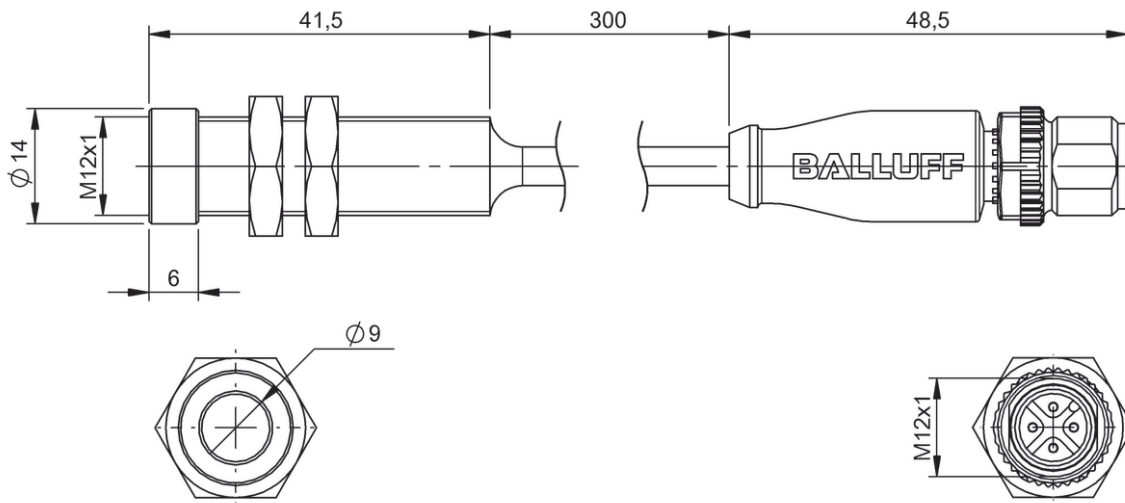
1) Power green

BAE00H1, BAE00H0



1) Power green

BAE00H2, BAE00FT



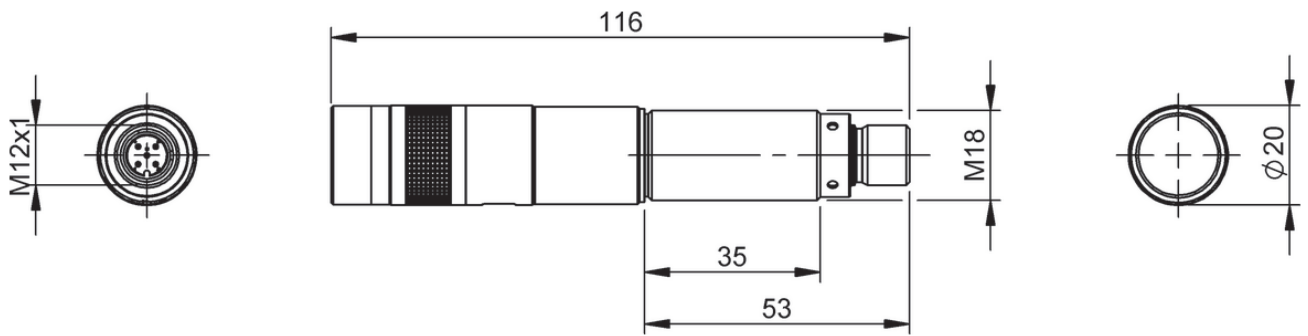
BAE00KF



	BAE010A BAE LX-X0-PL018-E-C1-S103	BAE0104 BAE LX-X0-PL018-E-L1-S103	
Connection	Connector, M12x1 connector, 5-pin	Connector, M12x1 connector, 5-pin	
Version	Laser modules	Laser modules	
Dimension	Ø 20 x 116 mm	Ø 20 x 116 mm	
Operating voltage U _b	5...30 VDC	5...30 VDC	
Digital inputs	Trigger	Trigger	
Material	Stainless steel Glass Nickel-plated brass nuts	Stainless steel Glass Nickel-plated brass nuts	
Projection type	Cross	Line, homogeneous	
Opening angle min.	30° x 30°	45°	
Light type	Laser red light	Laser red light	
Wave length	635 nm	640 nm	
Laser class per IEC 60825-1	1M	2M	
Ambient temperature	-10...50 °C	-10...50 °C	
Approval/Conformity	CE, EAC	CE, EAC	
Protection degree	IP67	IP67	
Productview	Page 574	Page 574	



	BAE0106 BAE LX-X0-PL018-E-L3-S103	BAE0107 BAE LX-X0-PL018-E-L7-S103	BAE0108 BAE LX-X0-PL018-E-L8-S103	BAE0109 BAE LX-X0-PL018-E-P1-S103
	Connector, M12x1 connector, 5-pin	Connector, M12x1 connector, 5-pin	Connector, M12x1 connector, 5-pin	Connector, M12x1 connector, 5-pin
	Laser modules	Laser modules	Laser modules	Laser modules
	Ø 20 x 116 mm	Ø 20 x 116 mm	Ø 20 x 116 mm	Ø 20 x 116 mm
	5...30 VDC	9...30 VDC	9...30 VDC	5...30 VDC
	Trigger	Trigger	Trigger	Trigger
	Stainless steel Glass Nickel-plated brass nuts	Stainless steel Glass Nickel-plated brass nuts	Stainless steel Glass Nickel-plated brass nuts	Stainless steel Glass Nickel-plated brass nuts
	Line, homogeneous	Line, homogeneous	Line, homogeneous	Point, elliptical
	20°	45°	45°	—
	Laser red light	Laser, blue light	Laser green light	Laser red light
	640 nm	450 nm	520 nm	635 nm
	2M	2M	2M	2
	-10...50 °C	-10...50 °C	-10...50 °C	-10...50 °C
	CE, EAC	CE, EAC	CE, EAC	CE, EAC
	IP67	IP67	IP67	IP67
	Page 574	Page 574	Page 574	Page 574



BAE010A, BAE0104, BAE0106, BAE0107, BAE0108, BAE0109



	BAE00W8 BAE LX-XA-BW0170-S4	BAE00W9 BAE LX-XA-BW0278-S4	
Connection	Connector, M12x1 connector	Connector, M12x1 connector	
Version	Machine light	Machine light	
Dimension	Ø 20 x 250 mm	Ø 20 x 358 mm	
Rated operating voltage Ue DC	24 V	24 V	
Operating mode	—	—	
Material	Aluminum anodized PMMA	Aluminum anodized PMMA	
Illumination area	170 x 14 mm	278 x 14 mm	
Beam angle	120 °	120 °	
Light type	LED white light	LED white light	
Light intensity	410 lm	654 lm	
Color temperature	4000 K	4000 K	
Ambient temperature	-25...60 °C	-25...60 °C	
Approval/Conformity	CE, EAC, UL Listed	CE, EAC, UL Listed	
Protection degree	IP69K	IP69K	
Productview	Page 580	Page 580	



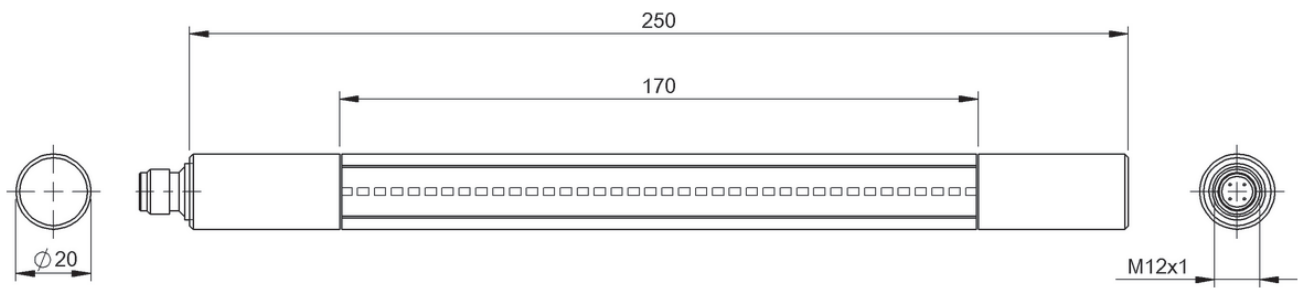
	BAE00WA BAE LX-XA-BW0332-S4	BAE00ZM BAE LX-XA-BW0380A-S4	BAE00Y4 BAE LX-XA-BW0530-S4	BAE00ZN BAE LX-XA-BW0560A-S4
	Connector, M12x1 connector	Connector, M12x1 connector, 4-pin	Connector, M12x1 connector	Connector, M12x1 connector, 4-pin
	Machine light	Machine light	Machine light	Machine light
	Ø 20 x 432 mm	Ø 45 x 420 mm	Ø 20 x 610 mm	Ø 45 x 600 mm
	24 V	24 V	24 V	24 V
	—	—	—	—
	Aluminum anodized PMMA	Aluminum anodized Borosilicate crown glass	Aluminum anodized PMMA	Aluminum anodized Borosilicate crown glass
	332 x 14 mm	380 x 42 mm	530 x 14 mm	560 x 42 mm
	120 °	120 °	120 °	120 °
	LED white light	LED white light diffuse	LED white light	LED white light diffuse
	746 lm	1800 lm	1256 lm	2700 lm
	4000 K	5000 K	4000 K	5000 K
	-25...60 °C	-20...40 °C	-25...60 °C	-20...40 °C
	CE, EAC, UL Listed	CE, EAC	CE, EAC, UL Listed	CE, EAC
	IP69K	IP67	IP69K	IP67
	Page 581	Page 581	Page 582	Page 582



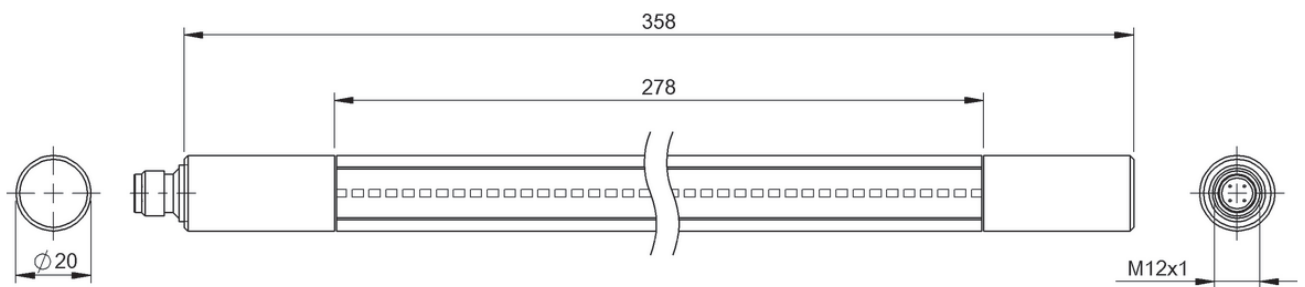
	BAE00Y5 BAE LX-XA-BW0710-S4	BAE00ZP BAE LX-XA-BW0760A-S4	
Connection	Connector, M12x1 connector	Connector, M12x1 connector, 4-pin	
Version	Machine light	Machine light	
Dimension	Ø 20 x 790 mm	Ø 45 x 800 mm	
Rated operating voltage Ue DC	24 V	24 V	
Operating mode	—	—	
Material	Aluminum anodized PMMA	Aluminum anodized Borosilicate crown glass	
Illumination area	710 x 14 mm	760 x 42 mm	
Beam angle	120 °	120 °	
Light type	LED white light	LED white light diffuse	
Light intensity	1661 lm	3600 lm	
Color temperature	4000 K	5000 K	
Ambient temperature	-25...60 °C	-20...40 °C	
Approval/Conformity	CE, EAC, UL Listed	CE, EAC	
Protection degree	IP69K	IP67	
Productview	Page 583	Page 583	



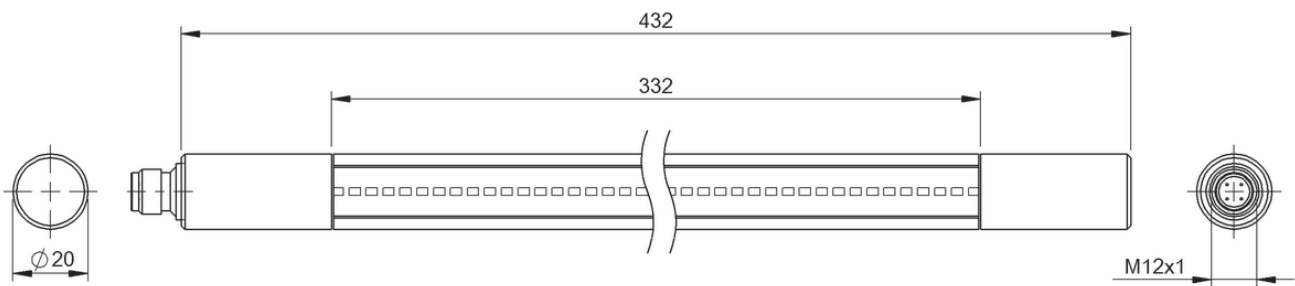
BAE00ZR BAE LX-XA-BW0960A-S4	BAE00Y6 BAE LX-XA-BW1016-S4	BAE00ZT BAE LX-XA-BW1160A-S4	
Connector, M12x1 connector, 4-pin	Connector, M12x1 connector	Connector, M12x1 connector, 4-pin	
Machine light	Machine light	Machine light	
Ø 45 x 1000 mm	Ø 20 x 1096 mm	Ø 45 x 1200 mm	
24 V	24 V	24 V	
—	—	—	
Aluminum anodized Borosilicate crown glass	Aluminum anodized PMMA	Aluminum anodized Borosilicate crown glass	
960 x 42 mm	1016 x 14 mm	1160 x 42 mm	
120 °	120 °	120 °	
LED white light diffuse	LED white light	LED white light diffuse	
4500 lm	2268 lm	5400 lm	
5000 K	4000 K	5000 K	
-20...40 °C	-25...60 °C	-20...40 °C	
CE, EAC	CE, EAC, UL Listed	CE, EAC	
IP67	IP69K	IP67	
Page 584	Page 584	Page 585	



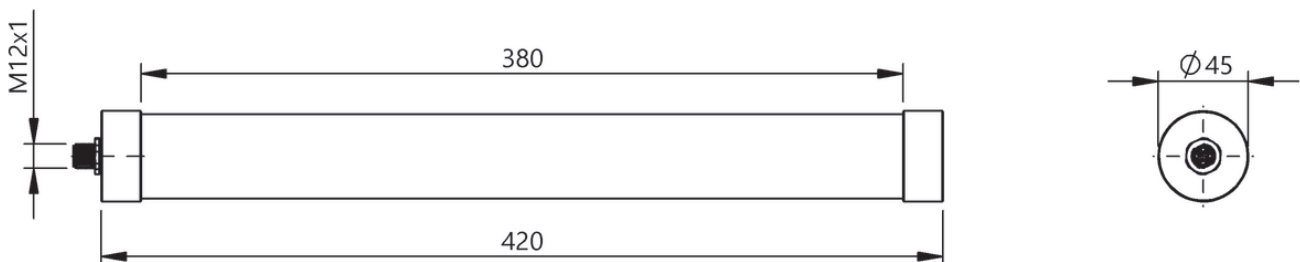
BAE00W8



BAE00W9

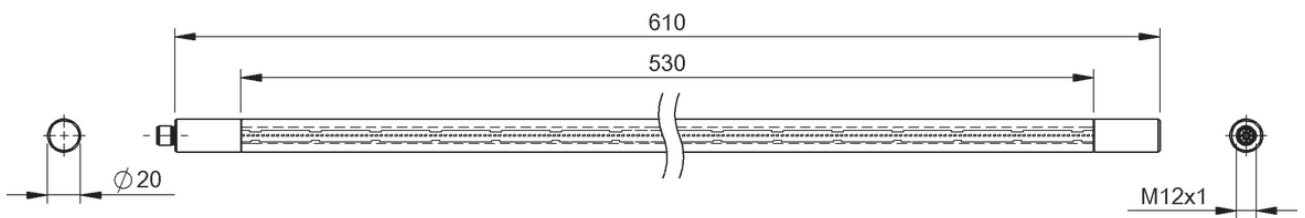


BAE00WA

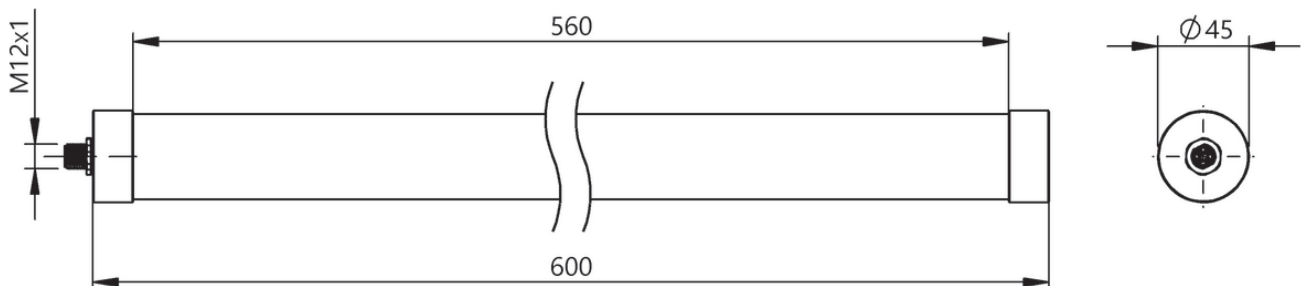


BAE00ZM

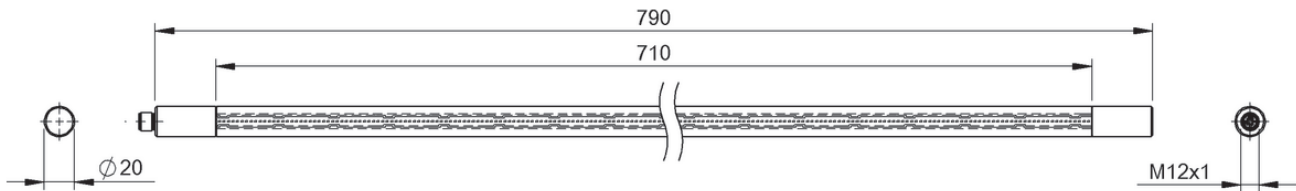
Do you need more details? Our Product Finder at www.balluff.com provides you with product-specific information, including technical drawings, data sheets, user guides and more for each individual product. All items are available for download.



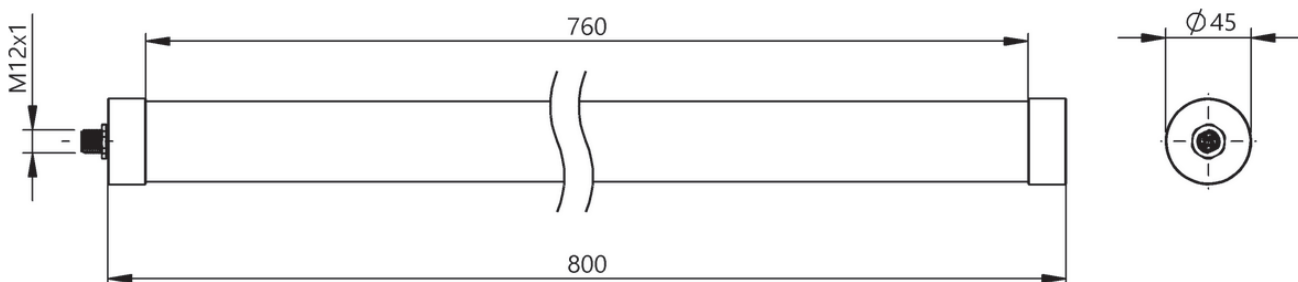
BAE00Y4



BAE00ZN

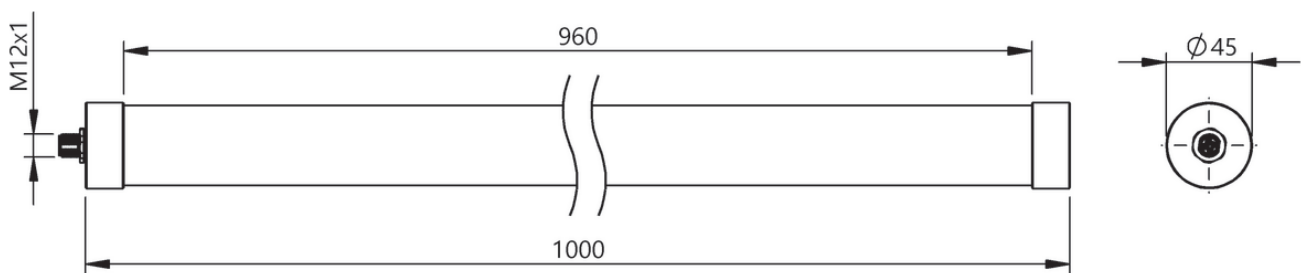


BAE00Y5

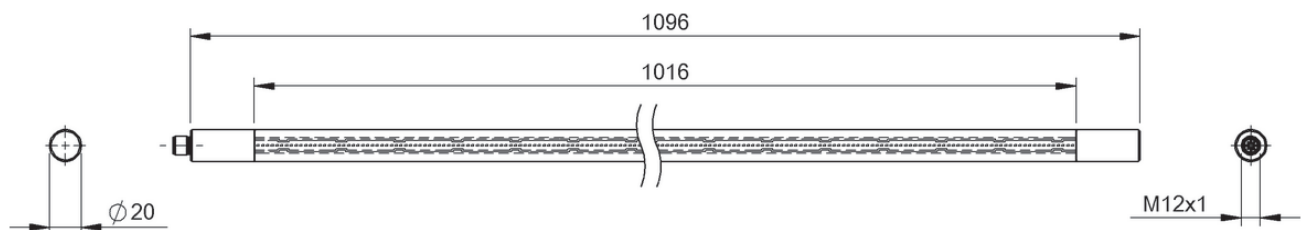


BAE00ZP

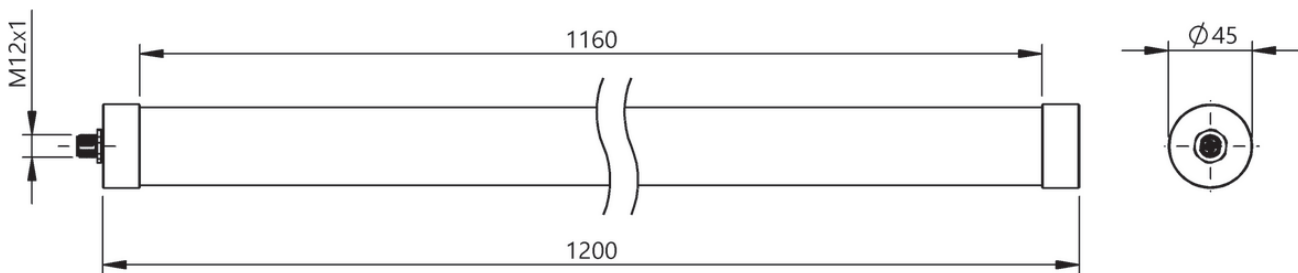
Do you need more details? Our Product Finder at www.balluff.com provides you with product-specific information, including technical drawings, data sheets, user guides and more for each individual product. All items are available for download.



BAE00ZR



BAE00Y6



BAE00ZT



Efficiently transport signals with signal converters

SIGNAL CONVERTERS AND COMMUNICATION ADAPTERS



Our signal converters store an incoming signal in a specific format and output it in a different format.

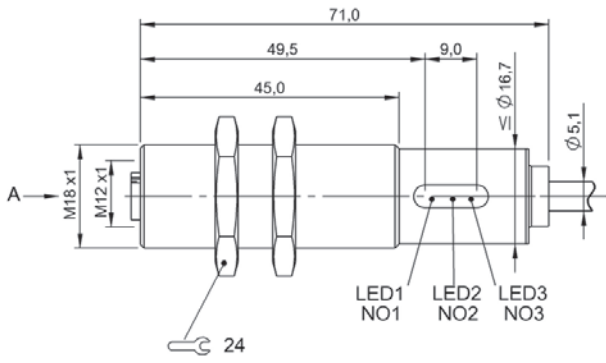
Frequently, such modules are used in the conversion of analog signals into digital signals or vice versa. Likewise, you can convert different communication protocols using signal converters.

The most important benefits

- Easy installation
- Installation in the control cabinet or directly on the sensor
- Adaptation of the output signal to the application
- Mixing of different signals on an assembly possible
- Cost reduction potential



	BAE006Z BES 516-615-NS-1-PU-05	BAE0070 BES 516-615-PS-1-PU-05
Principle of operation	Signal converter	Signal converter
Additional text	For direct installation	For direct installation
Connection	Cable	Cable
Connection for sensor	M12x1-Female, 5-pole, A-coded	M12x1-Female, 5-pole, A-coded
Analog inputs	Analog, voltage (0...10 V)	Analog, voltage (0...10 V)
Switching output	3x NPN normally open (NO)	3x PNP normally open (NO)
Material	Brass nickel plated	Brass nickel plated
Ambient temperature	-10...70 °C	-10...70 °C
Protection degree	IP67	IP67
Approval/Conformity	CE	CE
Productview	Page 589	Page 589



BAE006Z, BAE0070

Sensors

RFID

Machine Vision and
Optical Identification

Human Machine
Interfaces

Systems

Safety

Industrial Networking

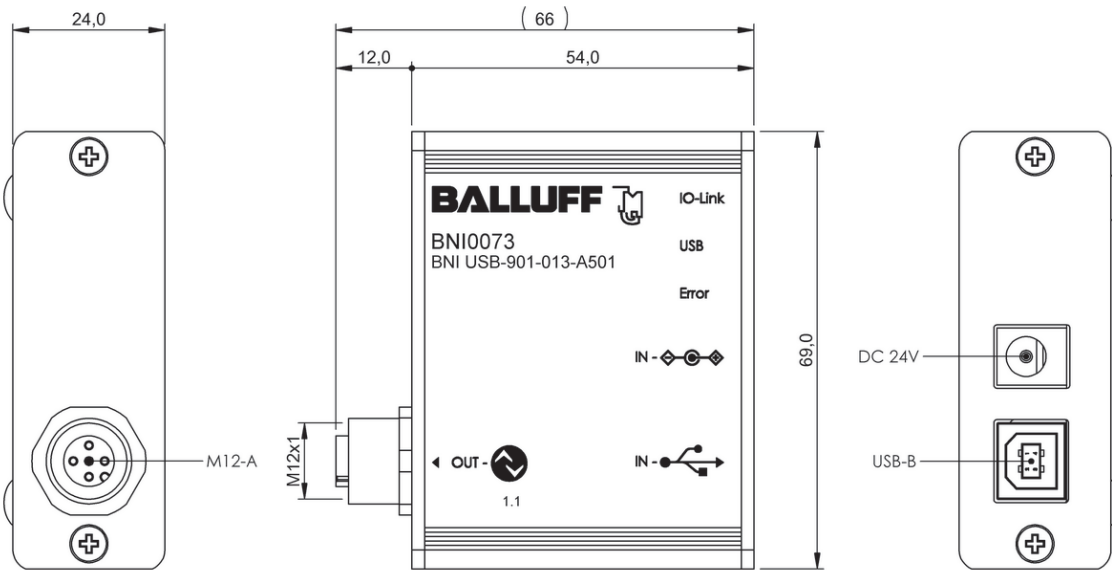
Power Supply

Connectivity

Accessories



	BNI0073 BNI USB-901-013-A501
Interface	IO-Link 1.1
Dimension	66 x 24 x 69 mm
Material	Aluminum
Ambient temperature	-5...55 °C
Protection degree	IP21
Approval/Conformity	CE
Productview	Page 591



BNI0073



	BNI00C9 BNI IOL-717-002-E023	BNI00C8 BNI IOL-725-002-E023	
Version	Analog converter	Analog converter	
Interface	IO-Link 1.1	IO-Link 1.1	
Function	—	—	
Operating voltage U_b	18...30.2 VDC	18...30.2 VDC	
Digital inputs	—	—	
Analog inputs	Analog, voltage/Analog, current/ analog, temperature (0...10 V/ -10...10 V/0...5 V/-5...5 V/5...10 V/4...20 mA/0...20 mA/Pt100/ Pt1000)	—	
Analog outputs	—	Analog, voltage/Analog, current (0...10 V/-10...10 V/0...5 V/-5...5 V/5...10 V/4...20 mA/0...20 mA)	
Configurable inputs/outputs	yes	yes	
Resolution	≤ 16 bits	≤ 16 bits	
Connection	M12x1-Male, 4-pole, A-coded	M12x1-Male, 4-pole, A-coded	
Connection for sensor	M12x1-Female, 5-pole, A-coded	M12x1-Female, 5-pole, A-coded	
Housing material	Stainless steel (1.4305) PTFE	Stainless steel (1.4305) PTFE	
Dimension	Ø 18 x 135.5 mm	Ø 18 x 135.5 mm	
Ambient temperature	-5...70 °C	-5...70 °C	
Protection degree	IP67 when threaded in	IP67 when threaded in	
Approval/Conformity	CE	CE	
Transfer rate	COM2 (38.4 kBaud)	COM2 (38.4 kBaud)	
Process data cycle min.	10 ms	10 ms	
Process data in	3 bytes	—	
Process data out	—	2 bytes	
Productview	Page 598	Page 598	



BNI00C6 BNI IOL-730-002-E023	BNI00C7 BNI IOL-740-002-E023	BNI00C1 BNI IOL-760-002-E066	BNI0041 BNI IOL-712-000-K023
Analog converter	Analog converter	RS232 converter	Analog converter
IO-Link 1.1	IO-Link 1.1	IO-Link 1.1, RS232	IO-Link 1.0
—	—	—	—
18...30.2 VDC	18...30.2 VDC	18...30.2 VDC	18...30.2 VDC
—	—	4x PNP, Type 3	—
Analog, voltage/Analog, current/ analog, temperature (0...10 V/ -10...10 V/0...5 V/-5...5 V/5...10 V/4...20 mA/0...20 mA/Pt100/ Pt1000/Thermocouple Type J/ Thermocouple Type K)	Analog, temperature (Pt100/ Pt1000/Thermocouple Type J/ Thermocouple Type K)	—	Analog, current (0...20 mA)
Analog, voltage/Analog, current (0...10 V/-10...10 V/0...5 V/-5...5 V/5...10 V/4...20 mA/0...20 mA)	—	—	—
yes	yes	no	no
≤ 16 bits	≤ 16 bits	—	≤ 14 bits
M12x1-Male, 4-pole, A-coded	M12x1-Male, 4-pole, A-coded	M12x1 connector, 4-pin	M12x1-Male, 4-pole, A-coded
M12x1-Female, 5-pole, A-coded	M12x1-Female, 5-pole, A-coded	M12x1-Female, 8-pole, A-coded	M12x1-Female, 4-pole, A-coded
Stainless steel (1.4305) PTFE	Stainless steel (1.4305) PTFE	Stainless steel (1.4305) PTFE	PA
Ø 18 x 135.5 mm	Ø 18 x 135.5 mm	Ø 18 x 118 mm	14.2 x 50.4 x 40 mm
-5...70 °C	-5...70 °C	-5...55 °C	-5...70 °C
IP67 when threaded in	IP67 when threaded in	IP67 when threaded in	IP67 when threaded in
CE	CE	CE	CE
COM2 (38.4 kBaud)	COM2 (38.4 kBaud)	COM2 (38.4 kBaud)	COM2 (38.4 kBaud)
10 ms	10 ms	35.2 ms	3 ms
3 bytes	3 bytes	32 bytes	2 bytes
2 bytes	—	32 bytes	—
Page 598	Page 598	Page 598	Page 599



	BNI0042 BNI IOL-714-000-K023	BNI004T BNI IOL-716-000-K023	
Version	Analog converter	Analog converter	
Interface	IO-Link 1.0	IO-Link 1.0	
Function	—	—	
Operating voltage U_b	18...30.2 VDC	18...30.2 VDC	
Digital inputs	—	—	
Analog inputs	Analog, voltage (0...10 V)	Analog, Temperature (Pt100)	
Analog outputs	—	—	
Configurable inputs/outputs	no	no	
Resolution	≤ 14 bits	≤ 14 bits	
Connection	M12x1-Male, 4-pole, A-coded	M12x1-Male, 4-pole, A-coded	
Connection for sensor	M12x1-Female, 4-pole, A-coded	M12x1-Female, 4-pole, A-coded	
Housing material	PA	PA	
Dimension	14.2 x 50.4 x 40 mm	14.2 x 50.4 x 40 mm	
Ambient temperature	-5...70 °C	-5...70 °C	
Protection degree	IP67 when threaded in	IP67 when threaded in	
Approval/Conformity	CE	CE	
Transfer rate	COM2 (38.4 kBaud)	COM2 (38.4 kBaud)	
Process data cycle min.	3 ms	12 ms	
Process data in	2 bytes	2 bytes	
Process data out	—	—	
Productview	Page 599	Page 599	



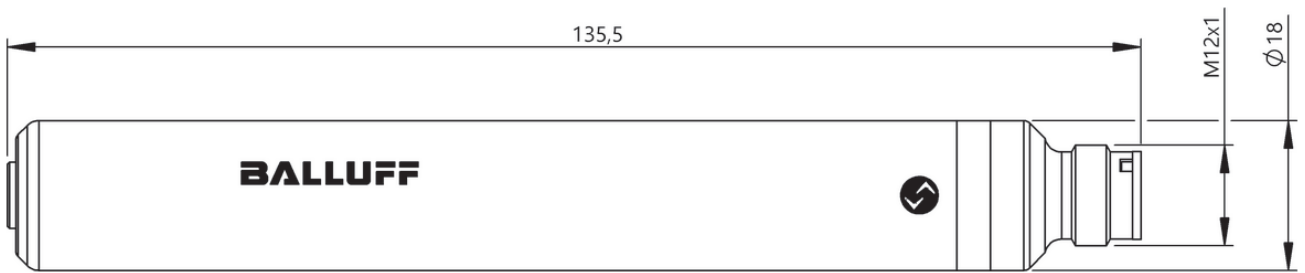
	BNI004C BNI IOL-722-000-K023	BNI004E BNI IOL-724-000-K023	BAE0073 BES 516-IV 2	BAE002E BOS S-C01
	Analog converter	Analog converter	—	—
	IO-Link 1.0	IO-Link 1.0	—	—
	—	—	Pulse lengthening	Part counter (1 pulse per part), Divider (1 pul. per x parts), Switching amplifier up to 400 mA, Flip flop (on/off switch), Switching inverter (NO/NC)
	18...30.2 VDC	18...30.2 VDC	10...30 VDC	10...30 VDC
	—	—	PNP/NPN	PNP
	—	—	—	—
	Analog, current (4...20 mA)	Analog, voltage (0...10 V)	—	—
	no	no	—	—
	≤ 14 bits	≤ 14 bits	—	—
	M12x1-Male, 4-pole, A-coded	M12x1-Male, 4-pole, A-coded	Screw terminal	Connector, M12x1
	M12x1-Female, 4-pole, A-coded	M12x1-Female, 4-pole, A-coded	4-pole	M12x1-Female, 4-pole
	PA	PA	Plastic	PBT PA
	14.2 x 50.4 x 40 mm	14.2 x 50.4 x 40 mm	58 x 90 x 17.5 mm	Ø 20 x 60 mm
	-5...70 °C	-5...70 °C	0...60 °C	0...60 °C
	IP67 when threaded in	IP67 when threaded in	IP20, IP40	IP67
	CE	CE	CE	CE
	COM2 (38.4 kBaud)	COM2 (38.4 kBaud)	—	—
	12 ms	12 ms	—	—
	2 bytes	2 bytes	—	—
	2 bytes	2 bytes	—	—
	Page 599	Page 599	Page 599	Page 600



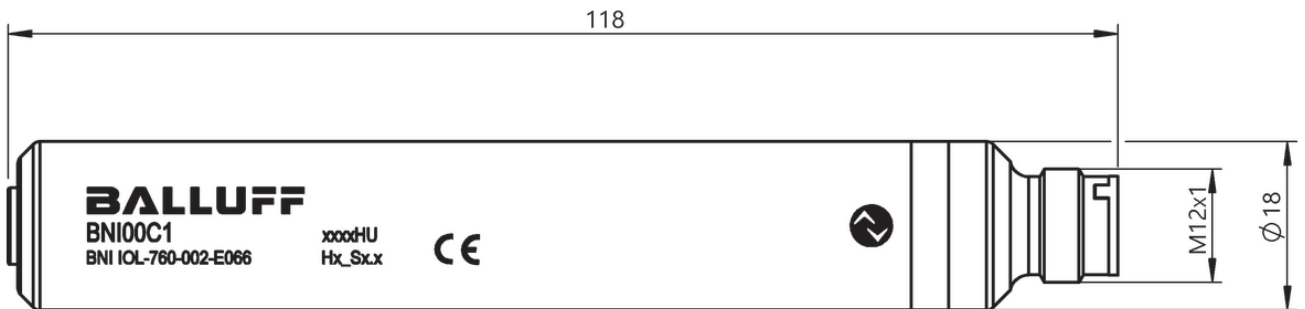
	BAE002H BOS S-F01	BAE002J BOS S-F02	
Version	—	—	
Interface	—	—	
Function	Switching amplifier up to 400 mA, Output converter (PNP/NPN), Switching inverter (NO/NC)	Switching amplifier up to 400 mA, Output converter (PNP/NPN), Switching inverter (NO/NC)	
Operating voltage U_b	10...30 VDC	10...30 VDC	
Digital inputs	PNP	NPN	
Analog inputs	—	—	
Analog outputs	—	—	
Configurable inputs/outputs	—	—	
Resolution	—	—	
Connection	Connector, M12x1	Connector, M12x1	
Connection for sensor	M12x1-Female, 4-pole	M12x1-Female, 4-pole	
Housing material	PBT PA	PBT PA	
Dimension	Ø 20 x 60 mm	Ø 20 x 60 mm	
Ambient temperature	0...60 °C	0...60 °C	
Protection degree	IP67	IP67	
Approval/Conformity	CE	CE	
Transfer rate	—	—	
Process data cycle min.	—	—	
Process data in	—	—	
Process data out	—	—	
Productview	Page 600	Page 600	



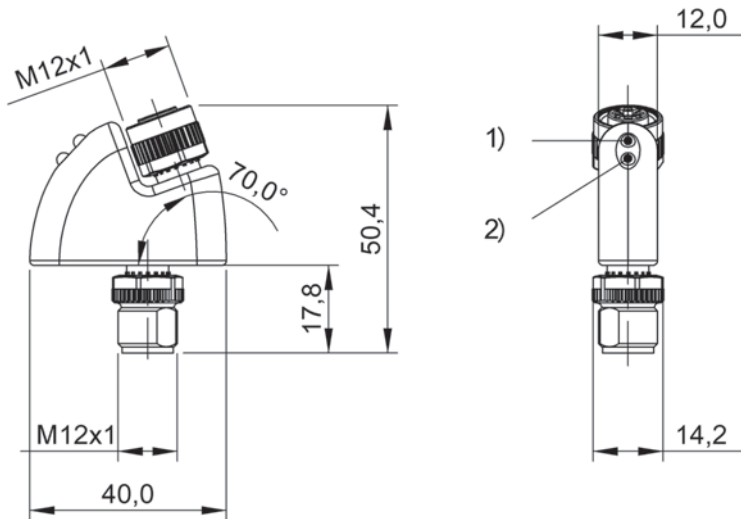
	BAE002K BOS S-M01	BAE002L BOS S-M02	BAE002M BOS S-T01	BAE002N BOS S-T02
	—	—	—	—
	—	—	—	—
	Frequency monitor up to 1 kHz, Switching amplifier up to 400 mA	Frequency monitor up to 1 kHz, Switching amplifier up to 400 mA	Switching amplifier up to 400 mA, Timer on/off delay	Switching amplifier up to 400 mA, Timer on/off delay
	10...30 VDC	10...30 VDC	10...30 VDC	10...30 VDC
	PNP	NPN	PNP	NPN
	—	—	—	—
	—	—	—	—
	—	—	—	—
	Connector, M12x1	Connector, M12x1	Connector, M12x1	Connector, M12x1
	M12x1-Female, 4-pole	M12x1-Female, 4-pole	M12x1-Female, 4-pole	M12x1-Female, 4-pole
	PBT PA	PBT PA	PBT PA	PBT PA
	Ø 20 x 60 mm	Ø 20 x 60 mm	Ø 20 x 60 mm	Ø 20 x 60 mm
	0...60 °C	0...60 °C	0...60 °C	0...60 °C
	IP67	IP67	IP67	IP67
	CE	CE	CE	CE
	—	—	—	—
	—	—	—	—
	—	—	—	—
	—	—	—	—
	Page 600	Page 600	Page 600	Page 600



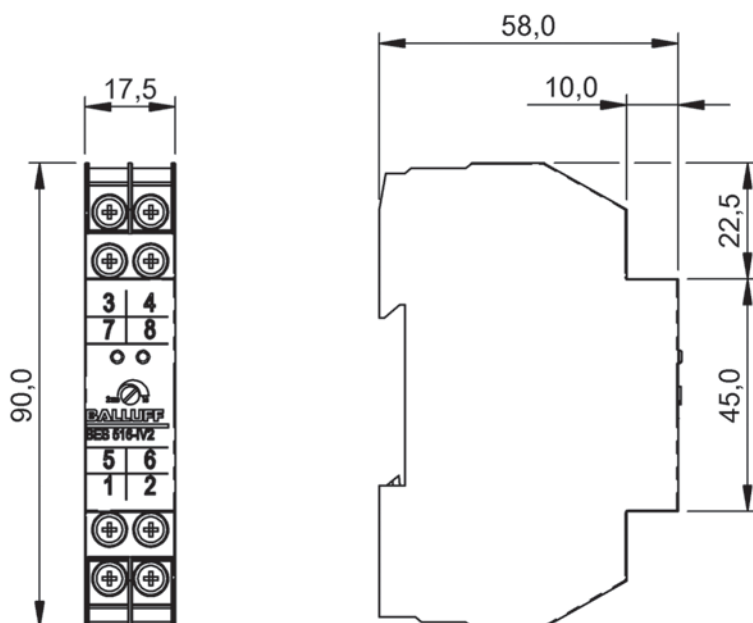
BNI00C9, BNI00C8, BNI00C6, BNI00C7



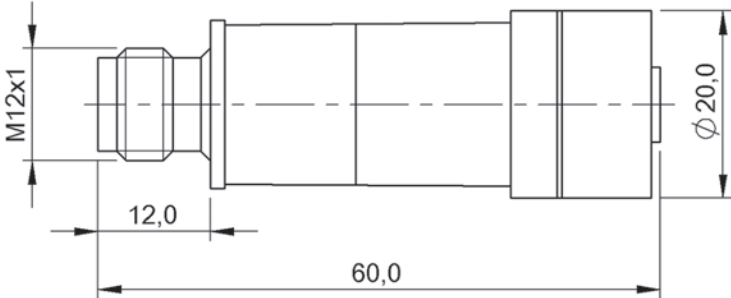
BNI00C1



BNI0041, BNI0042, BNI004T, BNI004C, BNI004E



BAE0073



BAE002E, BAE002H, BAE002J, BAE002K, BAE002L, BAE002M, BAE002N



	BAE00ZU BAE SA-XE-051-XR	
Use	—	
Operating voltage U_b	21.6...26.4 VDC	
Ambient temperature	-20...60 °C	
Protection degree	IP20	
Approval/Conformity	CE, EAC	
Productview	Page 604	



BAE00ZY
BAE SA-XE-052-XR

BAE00ZW
BAE SA-XE-053-XR

—
103.5...126.5 VAC
-20...60 °C
IP20
CE, EAC
Page 604

—
207...253 VAC
-20...60 °C
IP20
CE, EAC
Page 604

Sensors

RFID

Machine Vision and
Optical IdentificationHuman Machine
Interfaces

Systems

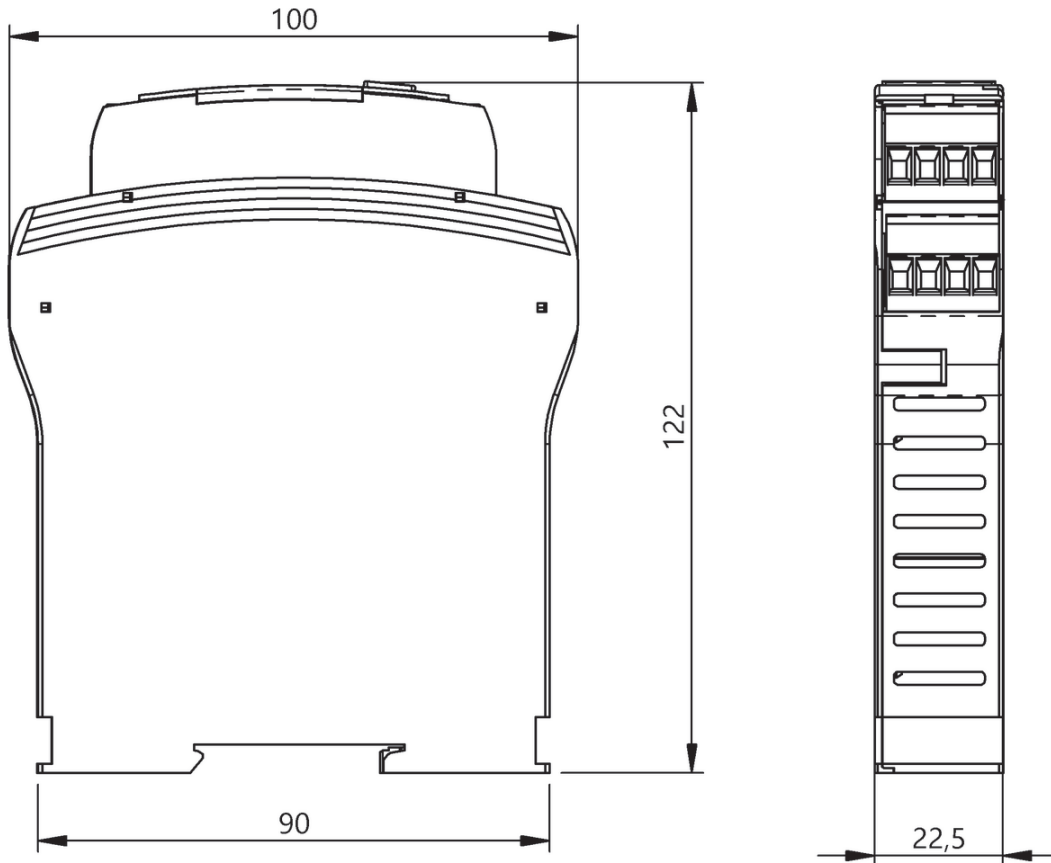
Safety

Industrial Networking

Power Supply

Connectivity

Accessories



1) Sensing surface

BAE00ZU, BAE00ZY, BAE00ZW

Accessories

BASICS AND GLOSSARY





ausst. Diese
ell im Nennbereich

FASTENERS

Mounting of mounting clamps

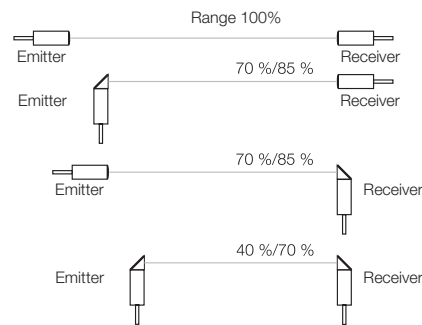
Small sensors or fiber optics are used in compact systems. In some situations, they are the only option. Tight spaces under demanding conditions often make positioning of the miniature sensors difficult. The mounting clamps demonstrate their diversity by holding a range of different sensors and fiber optics. They are extremely stable, variable and flexible. With just a few work steps, sensors and fiber optics can be mounted on housings or base plates.

- Mounting clamps for smooth sensors and fiber optics:
 - Ø 3 mm, Ø 4 mm, Ø 6.5 mm, Ø 8 mm
- Simple and economical mounting
- Minimal wall thickness for internal threaded bore: 2 mm

ACCESSORIES FOR PHOTOELECTRIC SENSORS

Deflection heads, suitable combinations

All BOS 18 photoelectric sensors can be equipped with a 90° deflection head. The table shows the appropriate deflection head for each switch type and indicates the corresponding reduction factor (RF) to apply to the range. With a through-beam sensor, the emitter and the receiver can be equipped with a 90° deflection head. Each deflection head reduces the range by approx. 15...50 %.



Diagonal mirrors

When using the diagonal mirror, the sensing range is reduced by 30% for the M12 diffuse and M12 through-beam sensors. Not suitable for retroreflective sensors.

LIGHTS

What should the distance between the light and the component be?

The intensity of illumination on an object decreases quadratically with the working distance. Therefore objects that are farther away appear darker than closer objects. A bright object should be inspected, for example, once at a distance of 10 cm and once at 100 cm. The brightness of the object at 10 cm is 100 times greater than at a distance of 100 cm. Select the optimum distance between the light source, sensor and target object. In order to prevent saturation, make sure that the brightness of the light source is correct.

How should reflective components be illuminated?

When inspecting highly reflective surfaces, the sensor must be mounted with extreme care. If necessary, attach an external light to a suitable bracket in order to maximize the contrast between the object to be detected and the background.

How can the illumination of the part to be inspected be kept constant?

Avoid fluctuations in brightness due to ambient light, sunlight or other external light sources. These fluctuations are the most frequent cause of errors in image processing and are often difficult to identify. Errors can be limited by decreasing the exposure time of the sensor. External lighting may be required in addition to the light inside the sensor. Alternative solutions include covers or any kind of physical screen that specifically controls the light within the inspection area.

How should the field of view be illuminated?

The entire image area should be illuminated as evenly as possible. Avoid extremely bright points or dark areas. The component features you wish to inspect should, however, contrast as much as possible and show up clearly on the background. If you want to check for the presence of a certain feature, you can illuminate the component so that a clear shadow is cast upon the function to be identified. The Vision Sensor can then detect the feature.

MATERIALS

Material	Use and characteristics
PLASTICS	
ABS Acrylonitrile-Butadiene-Styrene	Impact-resistant, stiff, limited chemical resistance. Some types flame-retardant. Housing material.
AES/CP Acrylonitrile-Ethylene-Propylene-Styrene	Impact-resistant, stiff, limited chemical resistance. Housing material.
EP Epoxy resin	Duromer, molded plastic material, highest mechanical strength and temperature resistance. Very good dimensional stability. Cannot be melted.
Epoxy resin - hollow glass spheres	Hollow glass spheres can be treated with epoxy resins. They are used for manufacturing converters with low density and high pressure rating.
FEP Tetrafluoroethylene-perfluorpropylene	High temperature resistance up to 180 °C, insulation material for cable.
LCP Liquid Crystalline Polymer	High mechanical strength and temperature resistance. Very good chemical resistance. Inherently non-flammable.
PA Polyamide	High impact resistance, good chemical resistance.
PA 6, PA 66, PA mod., PA 12 Polyamide	Good mechanical strength. Temperature resistance. PA 12 approved for food industry applications.
PA transp. Transparent polyamide	Transparent, hard, inflexible. Good chemical resistance.
PBT Polybutylene terephthalate	High mechanical strength and temperature resistance. Some types flame-retardant. Good chemical resistance. Good oil resistance.
PC Polycarbonate	Clear, hard, elastic and impact resistant. Good temperature resistance. Limited chemical resistance.
PEEK Polyetheretherketone	Thermoplastic. Very high strength and temperature resistance. Good chemical resistance. Can be sterilized, good resistance to ionizing radiation.
PEI Polyetherimide	High mechanical strength and good temperature resistance. Good chemical resistance even with many solvents. Transparent with amber-yellow inherent color (not pigmented).
PET Polyethylene terephthalate	High resistance to breakage, good dimensional stability. Frequently used in the food industry.
PMMA Polymethylmethacrylate	Clear, transparent, hard, scratch-resistant, UV-resistant, mainly for optical applications.
POM Polyoxymethylene	High impact resistance, good mechanical strength. Good chemical resistance.
PP Polypropylene	Very good electrical properties. Impact resistant, tough, mechanically resilient. Very low water uptake. Good to very good chemical resistance.
PPE Polyphenylene ether	Tough, inflexible, high mechanical strength over a wide temperature range. Good chemical resistance. Good hot water resistance.
PSU Polysulfone	High temperature resistance, high impact resistance, good chemical resistance, FDA approved (food grade).
PTFE Polytetrafluoroethylene	Best temperature and chemical resistance, FDA approved (food grade).
PUR Polyurethane	Elastic, abrasion-resistant, impact-resistant. Good resistance to oils, greases, solvents (used for gaskets and cable jackets).
PVC Polyvinyl chloride	Good mechanical strength and chemical resistance (cable).
PVDF Polyvinylidene fluoride	Thermoplastic. High mechanical strength and temperature resistance. Good chemical resistance (similar to PTFE).

Material	Use and characteristics
METAL	
Al Wrought aluminum alloy	Standard-aluminum for machined cutting. Can be anodized. Material for housings and mounting components.
CuZn Brass	Standard-housing material with surface protection.
Stainless steel	Excellent corrosion resistance and strength. Quality 1.4034, 1.4104: Standard-material; quality 1.4305, 1.4301: Standard-material for the food industry; quality 1.4401, 1.4404, 1.4571: With increased requirements on chemical resistance at elevated temperatures for the food industry.
GD-Al die-cast-aluminum	Low specific gravity. Good strength and resistance. Some types can be anodized.
GD-Zn die-cast-zinc	Good resistance and strength. Usually with protective surface coating.
OTHER	
Glass	Good chemical resistance and strength. Used primarily in optical applications (lenses, cover lenses).
Ceramic	Very good strength and chemical resistance. Electrically insulating. Excellent temperature resistance.

Alphanumeric Index

SORTED BY
ORDERING CODE

BAE000E	BAE LX-VS-HR025	549	BAE002N	BOS S-T02	597
BAE00AM	BAE LX-VS-DR090	547	BAE006Z	BES 516-615-NS-1-PU-05	589
BAE00AN	BAE LX-VS-RW100	557	BAE010A	BAE LX-XO-PL018-E-C1-S103	573
BAE00C5	BAE LX-VS-HR150	551	BAE0070	BES 516-615-PS-1-PU-05	589
BAE00E5	BAE PD-US-004-S04	521	BAE0073	BES 516-IV 2	595
BAE00E1	BTL7-A-CB02-S115	541	BAE0104	BAE LX-XO-PL018-E-L1-S103	573
BAE00E6	BAE PD-US-004-S92	521	BAE0106	BAE LX-XO-PL018-E-L3-S103	573
BAE00EC	BTL7-A-CB02-S32	541	BAE0107	BAE LX-XO-PL018-E-L7-S103	573
BAE00EF	BTL7-A-CB02-K	541	BAE0108	BAE LX-XO-PL018-E-L8-S103	573
BAE000F	BAE LX-VS-HR050	551	BAE0109	BAE LX-XO-PL018-E-P1-S103	573
BAE00FR	BAE LX-VS-HI100	549	BAM00A0	BES 08-SM-1F	369
BAE00FT	BAE LX-VS-SR030	569	BAM00A2	BES 08,0-BS-1	433
BAE000H	BAE LX-VS-HR100	551	BAM00A4	BES 08,0-KB-10/W	437
BAE00H0	BAE LX-VS-SR018	569	BAM00A5	BES 08,0-KB-3	437
BAE00H1	BAE LX-VS-SI018	569	BAM00A6	BES 08,0-KB-3-F	437
BAE00H2	BAE LX-VS-SI030	569	BAM00AA	BES 08,0-KB-7	437
BAE000J	BAE LX-VS-RR100	557	BAM00AE	BES 08,0-KH-2L	419
BAE00J9	BAE LX-VS-OR50	565	BAM00AH	BES 08,0-KH-2S	419
BAE00JA	BAE LX-VS-OR100	565	BAM00AK	BES 08,0-KH-2S/W	419
BAE00JC	BAE LX-VS-HR200	551	BAM00AL	BES 08,0-KH-3L	419
BAE00JE	BAE LX-VS-HI200	549	BAM00AR	BES 08,0-KH-6S	419
BAE00JF	BAE LX-VS-HR100-E	551	BAM00AW	BES 08,1-KB-4-F	437
BAE000K	BAE LX-VS-RI100	557	BAM00AZ	BES 12-FA-70	355
BAE000K	BAE LX-VS-SR012	569	BAM00C0	BES 12-HW-1	441
BAE000K	BAE LX-VS-SR012	569	BAM00C2	BES 12-SM-2	369
BAE000K	BAE LX-VS-SR012	569	BAM00C4	BES 12,0-BS-1	433
BAE00KP	BAE LX-VS-HI150	549	BAM00C6	BES 12,0-KB-10/W	439
BAE00KR	BAE LX-VS-HI050	549	BAM00C7	BES 12,0-KB-2	439
BAE00MR	BAE PD-US-007-S92	521	BAM00C9	BES 12,0-KB-3	439
BAE00MU	BAE LX-VS-HR300	551	BAM00CA	BES 12,0-KB-3-F	439
BAE00NT	BAE LX-VS-LR100-S26	561	BAM00CF	BES 12,0-KB-4-F	439
BAE00NU	BAE LX-VS-LI100-S26	561	BAM00CY	BES 12,0-KH-2L	419
BAE00NW	BAE LX-VS-LW100-S26	561	BAM00CZ	BES 12,0-KH-2L/W	419
BAE00NY	BAE LX-VS-LR200-S26	561	BAM000E	BFO CT	521
BAE00NZ	BAE LX-VS-LI200-S26	561	BAM00E0	BES 12,0-KH-2S	421
BAE00PO	BAE LX-VS-LW200-S26	561	BAM00E1	BES 12,0-KH-2S/W	421
BAE00W8	BAE LX-XA-BW0170-S4	577	BAM00E2	BES 12,0-KH-3L	421
BAE00W9	BAE LX-XA-BW0278-S4	577	BAM00EK	BES 12,0-KB-9S	439
BAE00WA	BAE LX-XA-BW0332-S4	577	BAM00EM	BES 14,5-BS-1	433
BAE00WM	BAE LX-VS-HI300	549	BAM00EP	BES 16-SM-2	369
BAE00Y4	BAE LX-XA-BW0530-S4	577	BAM00ET	BES 16,0-BS-1	433
BAE00Y5	BAE LX-XA-BW0710-S4	579	BAM00EY	BES 18-HW-1	441
BAE00Y6	BAE LX-XA-BW1016-S4	579	BAM00EZ	BES 18-SM-1	369
BAE00ZM	BAE LX-XA-BW0380A-S4	577	BAM00F0	BES 18-SM-2	369
BAE00ZN	BAE LX-XA-BW0560A-S4	577	BAM00F1	BES 18-SM-3	369
BAE00ZP	BAE LX-XA-BW0760A-S4	579	BAM00F2	BES 18,0-BS-1	433
BAE00ZR	BAE LX-XA-BW0960A-S4	579	BAM00F3	BES 18,0-BS-2	433
BAE00ZT	BAE LX-XA-BW1160A-S4	579	BAM00F5	BES 18,0-KB-10/W	439
BAE00ZU	BAE SA-XE-051-XR	603	BAM00F7	BES 18,0-KB-3	439
BAE00ZW	BAE SA-XE-053-XR	603	BAM00F8	BES 18,0-KB-3-F	439
BAE00ZY	BAE SA-XE-052-XR	603	BAM00FC	BES 18,0-KB-4-F	439
BAE002E	BOS S-C01	595	BAM00FE	BES 18,0-KB-5-F	439
BAE002H	BOS S-F01	597	BAM00FN	BES 18,0-KH-2L	421
BAE002J	BOS S-F02	597	BAM00FP	BES 18,0-KH-2L/W	421
BAE002K	BOS S-M01	597	BAM00FR	BES 18,0-KH-2M	421
BAE002L	BOS S-M02	597			
BAE002M	BOS S-T01	597			

BAM00FT	BES 18,0-KH-2S	421	BAM00M3	BMF 305-HW-46	495
BAM00FW	BES 18,0-KH-2S/W	421	BAM00M5	BMF 305-HW-50	495
BAM00FY	BES 18,0-KH-3L	421	BAM00M6	BMF 305-HW-52	495
BAM00H7	BES 20,0-BS-1	433	BAM00M7	BMF 305-HW-53	495
BAM00H8	BES 22-SM-2	369	BAM00M9	BMF 305-HW-64	495
BAM00H9	BES 22,0-BS-1	433	BAM00MC	BMF 305-HW-70	495
BAM00HH	BES 30-HW-1	441	BAM00ME	BMF 305-HW-71	495
BAM00HJ	BES 30-SM-1	369	BAM00MF	BMF 305-HW-72	495
BAM00HK	BES 30-SM-2	369	BAM00MK	BMF 305-HW-82	495
BAM00HL	BES 30-SM-3	371	BAM00MP	BMF 307-HW-86	499
BAM00HM	BES 30-SM-5	371	BAM00MR	BMF 32-HW-12	497
BAM00HN	BES 30,0-BS-1	433	BAM00MT	BMF 32-HW-13	497
BAM00HR	BES 30,0-KB-10/W	439	BAM00MU	BMF 32-HW-14	497
BAM00HU	BES 30,0-KB-3-F	439	BAM00MW	BMF 32-HW-15	497
BAM00HW	BES 30,0-KB-4-F	439	BAM00MY	BMF 32-HW-16	497
BAM00HY	BES 30,0-KB-5-F	441	BAM00MZ	BMF 32-HW-18	497
BAM00J	BFO D10-LA-DC-10	317	BAM00NO	BMF 32-HW-49	497
BAM00J4	BES 30,0-KH-2L	423	BAM00NJ	BES Q08-KH-2	441
BAM00J5	BES 30,0-KH-2L/W	423	BAM00NM	ADAPTER BFO 30-A1	317
BAM00J6	BES 30,0-KH-2S	423	BAM00NN	BFO 02-PK-1	331
BAM00J7	BES 30,0-KH-2S/W	423	BAM00NP	BFO 02-UK-1	333
BAM00JL	BES 36-SM-2	371	BAM00NR	BFO 04-FL-1	331
BAM00JW	BES Q40-HW-1	435	BAM00NT	BFO 04-FL-2	331
BAM00JY	BES Q40-HW-2	435	BAM00NU	BFO 04-FS-1	391
BAM00JZ	BES Q40-HW-3	435	BAM00NW	BFO 04-PK-1	331
BAM00K3	BES R04-MF-01	435	BAM00OP	BTL2-GS10-0100-A	525
BAM00K8	BMF 103-HW-41	489	BAM00PO	BFO 08,0-KB-1	435
BAM00K9	BMF 103-HW-42	489	BAM00P1	BFO D13-LA-EC-10	317
BAM00KA	BMF 103-HW-43	489	BAM00P2	BKT M-PK-4	333
BAM00KC	BMF 103-HW-63	489	BAM00P3	BKT M-PK-5	333
BAM00KF	BMF 103-HW-68	489	BAM00P6	BOD 63-HW-1	481
BAM00KH	BMF 103-HW-74	489	BAM00P8	BOD 63-SH-3	477
BAM00KJ	BMF 103-HW-75	489	BAM00PT	BOS 11-HW-1	477
BAM00KN	BMF 103-HW-85	489	BAM00PW	BOS 12-BL-1	317
BAM00KP	BMF 103-HW-87	489	BAM00PY	BOS 12-LT-1	377
BAM00KR	BMF 10E-HW-19	499	BAM00RO	BOS 12-WS-1	333
BAM00KT	BMF 21-HW-10	495	BAM00R1	BOS 12-WS-2	333
BAM00KU	BMF 21-HW-10-E	495	BAM00R6	BOS 18-BL-1	317
BAM00KW	BMF 21-HW-11	497	BAM00R7	BOS 18-BL-2	319
BAM00KY	BMF 21-HW-8	497	BAM00R9	BOS 18-LT-1	377
BAM00KZ	BMF 303-HW-28	491	BAM00RL	BOS 18-SM-1	381
BAM00LO	BMF 303-HW-30	491	BAM00RP	BOS 18-UK-1	333
BAM00L1	BMF 303-HW-31	491	BAM00RR	BOS 18-UK-10	333
BAM00L2	BMF 303-HW-33	491	BAM00RT	BOS 18-UK-2	335
BAM00L3	BMF 303-HW-34	491	BAM00RU	BOS 18-WS-1	335
BAM00L4	BMF 303-HW-40	491	BAM00RY	BOS 18,0-HW-1	477
BAM00L5	BMF 303-HW-44	491	BAM00OT	BAM MC-XA-002-D03,0-2	429
BAM00L6	BMF 303-HW-51	491	BAM00T0	BOS 18,0-HW-3	477
BAM00L7	BMF 303-HW-59	491	BAM00T2	BOS 18,0-HW-6	477
BAM00L8	BMF 303-HW-60	491	BAM00T3	BOS 18,0-KB-1	439
BAM00L9	BMF 303-HW-61	491	BAM00T4	BOS 2-HW-1	477
BAM00LC	BMF 303-HW-66	491	BAM00T5	BOS 2-HW-2	477
BAM00LE	BMF 303-HW-69	491	BAM00T6	BOS 2-HW-3	477
BAM00LF	BMF 303-HW-80	491	BAM00T7	BOS 21-AD-1	479
BAM00LH	BMF 305-HW-17	493	BAM00T9	BOS 21-HW-1	479
BAM00LJ	BMF 305-HW-20	493	BAM00TA	BOS 21-HW-2	479
BAM00LK	BMF 305-HW-20-SA1	493	BAM00TK	BOS 26-HW-1	481
BAM00LL	BMF 305-HW-21	493	BAM00TN	BOS 30,0-KB-1	441
BAM00LM	BMF 305-HW-22	493	BAM00TU	BOS 5-BL-1	319
BAM00LN	BMF 305-HW-23	493	BAM00TV	BOS 5-BL-2	319
BAM00LP	BMF 305-HW-24	493	BAM00TY	BOS 5-BL-3	319
BAM00LR	BMF 305-HW-25	493	BAM00TZ	BOS 5-BL-4	319
BAM00LT	BMF 305-HW-26	493	BAM00U0	BAM MC-XA-002-D04,0-2	429
BAM00LU	BMF 305-HW-27	493	BAM00U0	BOS 5-BL-5	319
BAM00LW	BMF 305-HW-32	493	BAM00U1	BOS 5-BL-6	319
BAM00LY	BMF 305-HW-35	493	BAM00U2	BOS 5-BL-7	319
BAM00LZ	BMF 305-HW-36	493	BAM00U3	BOS 5-BL-8	321
BAM00M0	BMF 305-HW-37	495	BAM00U4	BOS 5-BL-9	321

614 | Alphanumeric Index | Sorted by ordering code

BAM00U5	BOS 5-HW-1	477	BAM01H9	BOS R-41	299
BAM00U6	BOS 5-HW-2	479	BAM01HA	BOS R-42	301
BAM00U7	BOS 5-HW-3	479	BAM01HC	BOS R-43	301
BAM00U8	BOS 5-HW-4	481	BAM01HE	BOS R-44	305
BAM00U9	BOS 5-HW-5	481	BAM01HF	BOS R-45	299
BAM00UA	BOS 5-HW-6	481	BAM01HJ	BAM AP-US-002-M18-0	541
BAM00UF	BOS 5-HW-9	479	BAM01HL	BIS U-500-EF-01	109
BAM00UH	BOS 6-HW-1	479	BAM01HM	BIS U-500-EF-02	109
BAM00UK	BOS R-1	307	BAM01HN	BIS U-500-EF-05	109
BAM00UL	BOS R-11	305	BAM01HP	BIS U-500-EF-10	109
BAM00UN	BOS R-13	299	BAM01J2	BMS CS-M-D12-IX09-01	407
BAM00UM	BOS R-12	299	BAM01JK	BIS Z-HW-003	461
BAM00UP	BOS R-14	307	BAM01JM	BOS R-50	301
BAM00UR	BOS R-15	309	BAM01JN	BOS R-47	307
BAM00UT	BOS R-16	301	BAM01JP	BOS R-46	305
BAM00UW	BOS R-2	309	BAM01JT	BAM IA-XA-003-4x5-Y	540
BAM00UY	BOS R-22	299	BAM01K4	BMF 303-HW-103	489
BAM00OW	BAM MC-XA-002-D06,5-2	429	BAM01K5	BMF 303-HW-104	489
BAM00W4	BOS R-3	309	BAM01K6	BMF 103-HW-100	489
BAM00W6	BOS R-32-0,40	301	BAM01K7	BMF 103-HW-102	489
BAM00W7	BOS R-33	305	BAM01K8	BMF 305-HW-106	493
BAM00W8	BOS R-34	305	BAM01K9	BMF 303-HW-101	489
BAM00W9	BOS R-35	301	BAM01KA	BTL-S-3112-4Z-SA10	533
BAM00WA	BOS R-5	307	BAM01KM	BOS 12,0-KB-1	439
BAM00WC	BOS R-6-0,25	303	BAM01KN	BIS Z-HW-004	461
BAM00WE	BOS R-6-45	303	BAM01L4	BAM PT-XA-001-095-0-05	349
BAM00WF	BOS R-7-0,25	303	BAM01L8	BAM PC-XO-006-23K-1	381
BAM00WH	BOS R-7-22	303	BAM01LA	BOS R-48	307
BAM00WJ	BOS R-8-0,25	303	BAM01LE	BAM CS-XA-004-U7/8-A	377
BAM00WK	BOS R-8-22	303	BAM01LF	BAM CS-XA-005-U7/8-A	377
BAM00WL	BOS R-9	307	BAM01LJ	BAM PC-US-007-M18-2/W	377
BAM00WN	BVS Z-MB-01	457	BAM01LW	BIS Z-SP-003	461
BAM00OY	BAM MC-XA-002-D08,0-2	429	BAM01M9	BMF 235-HW-109	497
BAM00ZA	BTL2-GS10-0250-A	525	BAM01MA	BMF 235-HW-110	497
BAM00ZJ	BTL2-GS10-1000-A	525	BAM01MC	BMF 235-HW-111	497
BAM00ZL	BAM TO-CC-001-M3-0,4/8,0	521	BAM01MY	BAM MB-XA-010-B07-4	461
BAM00ZN	BAM TO-CC-001-A3-1,5/24,0	521	BAM01N3	BTL6-A-MF07-A-PF/M5	511
BAM01A2	BTL-S-3112-4Z	533	BAM01NC	BAM PC-XO-005-18M-4	381
BAM01A7	BAM OF-VS-001-D-RX100	325	BAM01NH	BOS R-49	307
BAM01AC	BAM MB-XA-003-B03-1	457	BAM01R2	BAM PT-XA-002-127-2-30	349
BAM01AE	BAM MB-XA-002-B02-1	457	BAM01RR	BAM PC-VS-008-1	379
BAM01AU	BES Q08-KH-3	441	BAM01TK	BMS CS-M-D12-IX13-01	457
BAM01AW	BMS CS-M-D12-B23K-05	405	BAM01TM	BAM MC-XA-016-Q40-1	435
BAM01AY	BMS CS-M-D12-BX07-06	405	BAM01U0	BAM MC-XA-017-D30,0-1	433
BAM01AZ	BAM FS-XE-001-M5-4	357	BAM01U2	BAM LS-FO-002-F	329
BAM01C0	BAM FS-XE-002-D4-4	357	BAM01UL	BMS CS-M-D12-IX14-01	407
BAM01C1	BAM CS-XA-001-M8-C	381	BAM01UT	BAM MC-XA-020-D12,0-2-FS/W	419
BAM01C2	BAM CS-XA-002-M12-A	381	BAM01UY	BAM PT-XA-002-190-2-30	349
BAM01C4	BMF 305-HW-92	495	BAM01W3	BAM MC-XA-021-M12-2	515
BAM01CF	BOS R-40	299	BAM01W4	BAM MC-XA-021-M18-2	515
BAM01CH	BMS CU-M-D12-I060-02	397	BAM01W5	BAM MC-XA-021-M30-2	515
BAM01CM	BOS R-36	305	BAM01W6	BAM MC-XA-021-M16-2	515
BAM01CW	BMS CS-M-D12-BX08-07	399	BAM01WF	BAM MC-XA-021-M5-4	515
BAM01E2	BMF 103-HW-93	489	BAM01WH	BAM MC-XA-021-M12-4	515
BAM01EP	BAM BD-US-001-D20-4	335	BAM01WJ	BAM MC-XA-021-M18-4	515
BAM01ER	BAM BD-US-001-D32-4	335	BAM01WK	BAM MC-XA-021-M30-4	515
BAM01ET	BAM AP-US-001-M12-0	335	BAM01WL	BAM MC-XA-021-M18-A	515
BAM01EY	BMF 305-HW-99	495	BAM01WM	BAM MC-XA-021-M30-A	515
BAM01EZ	BMF 305-HW-98	495	BAM01WN	BIS U-500-EF-15	109
BAM01F0	BMF 303-HW-97	493	BAM01WP	BIS U-500-EF-20	111
BAM01F2	BMS CS-M-D12-BX11-09	405	BAM01WR	BAM MC-XA-021-M8-3	515
BAM01F3	BMS CS-M-D12-BX10-08	405	BAM01Y3	BAM MC-XA-018-B04-4	461
BAM01FC	BTL5-T-2814-1S	529	BAM01Y5	BAM PC-XO-005-08M-4	379
BAM01FK	BAM MB-XO-006-B05-4	481	BAM01Y6	BAM PC-XO-005-12M-4	381
BAM01FM	BAM MB-XO-007-B05-4	481	BAM01Y9	BMF 307-HW-112	497
BAM01FT	BIS Z-HW-002	461	BAM01YL	BAM PC-XO-006-23K-G/RK	381
BAM01H6	BOS R-31	309	BAM01YN	BAM CS-XA-008-M12-4	377
BAM01H7	BOS R-38	301	BAM01YP	BMS CS-M-S25-DX15-00	457

BAM01YR	BIS U-500-EF-03	109	BAM02NM	BAM BD-LG-003-0900	469
BAM01YT	BMS CUJ-M-S25-D045-00	457	BAM02NN	BAM BD-LG-003-1200	469
BAM01YU	BAM AP-US-004-R06-Y	335	BAM02NP	BAM BD-LG-003-1650	469
BAM01YW	BAM MB-XA-013-Q08-4	477	BAM02NR	BAM BD-LG-003-1900	469
BAM01Z4	BAM FK-CC-005-M12-A	387	BAM02P	BMS CS-P-D12-AD18-00	407
BAM01Z5	BAM FK-CC-005-M08-A	387	BAM02P1	BAM MC-CS-043-R08-R-01	429
BAM01Z7	BMS CS-M-D14-IZ	399	BAM02P2	BAM MC-CS-043-R08-R-02	429
BAM01Z8	BMS CS-M-D14-IZ-01	399	BAM02P7	BAM MB-VS-026-B14-1	457
BAM02E3	BAM PT-XA-006-M91-T-00,9	349	BAM02P9	BAM TO-LG-011-14	471
BAM02FA	BAM LS-VS-004-C2/3-0814-2	321	BAM02PA	BAM TO-LG-011-30	471
BAM02FC	BAM LS-VS-004-C2/3-1214-2	321	BAM02PM	BOS 6-BL-1	321
BAM02FE	BAM LS-VS-004-C2/3-1614-2	321	BAM02PN	BAM MB-XA-027-B15-4	461
BAM02FF	BAM LS-VS-004-C2/3-2514-2	321	BAM02R	BMS RS-M-D12-0150-00	401
BAM02FH	BAM LS-VS-004-C2/3-3514-2	323	BAM02R3	BOS R-60-22	303
BAM02FJ	BAM LS-VS-004-C2/3-5014-2	323	BAM02R5	BAM PC-XE-028-M8-9	369
BAM02FK	BAM OF-VS-002-PL-27	327	BAM02R6	BAM PC-XE-028-M12-9	369
BAM02FL	BAM OF-VS-002-UV-27	329	BAM02R7	BAM PC-XE-028-M18-9	369
BAM02FM	BAM OF-VS-002-RD-27	329	BAM02R8	BAM PC-XE-028-M30-9	369
BAM02FN	BAM OF-VS-002-YE-27	329	BAM02RY	BAM TO-XA-013-01	521
BAM02FP	BAM OF-VS-002-GN-27	327	BAM02T	BMS RS-M-D12-0250-00	401
BAM02FR	BAM OF-VS-002-BU-27	325	BAM02TU	BAM CS-XA-001-M12-2	371
BAM02FT	BAM OF-VS-002-PL-30	327	BAM02U	BMS RS-M-D12-1000-00	401
BAM02FU	BAM OF-VS-002-UV-30	329	BAM02UE	BAM MC-XA-014-Q08-2	441
BAM02FW	BAM OF-VS-002-RD-30	329	BAM02UY	BAM MB-XO-028-B37-3	477
BAM02FY	BAM OF-VS-002-GN-30	327	BAM02W0	BAM PC-VS-023-1-01	377
BAM02FZ	BAM OF-VS-002-BU-30	327	BAM02W1	BMF 307-HW-73-Z-115	499
BAM02H0	BAM OF-VS-002-PL-40	329	BAM02W2	BMF 307-HW-73-Z-255	499
BAM02H1	BAM OF-VS-002-UV-40	329	BAM02WA	BAM MB-XE-031-Q40-A	435
BAM02H4	BAM PC-OS-025-50K-1	379	BAM02WF	BAM PC-XE-034-Q40-1	377
BAM02HE	BAM MB-XA-021-B12-4	477	BAM02Y	BMS CUJ-P-D12-R040-00	397
BAM02HF	BAM MB-XA-022-B12-4	477	BAM02Y3	BAM LS-VS-004-C2/3-7532-2	323
BAM002J	BMS CU-P-D12-A040-00	397	BAM02Y4	BAM MB-XA-030-D30,0-5	435
BAM02J9	BAM MD-VS-002-0002	457	BAM02Y5	BAM MB-XA-029-D30,0-5	435
BAM02JA	BAM MD-VS-002-0003	457	BAM02Y8	BAM MD-VS-002-0005	457
BAM02JC	BAM MD-VS-002-0004	457	BAM02Y9	BAM MD-VS-002-0006	457
BAM02JE	BES 08-FA-17	355	BAM02YK	BMF 305-HW-23-SA2	493
BAM02JT	BMS CU-M-D12-B040-02	397	BAM02YU	BAM TG-AM-015-006	361
BAM02JU	BAM TG-AM-015-003	363	BAM002Z	BMS CC-M-D12-B-00	399
BAM02JW	BAM TG-AM-015-004	361	BAM02ZE	BAM MB-XO-032-B16-1-BR2	479
BAM02JY	BAM TG-AM-015-005	361	BAM02ZF	BAM MB-XO-032-B16-1-BS1	479
BAM002K	BMS CS-P-D12-AD08-00	407	BAM02ZP	BAM MC-MF-046-203-A-C	497
BAM02KL	BMS CS-M-D12-B64K-12	481	BAM02ZR	BAM MC-MF-046-203-A-S	497
BAM02KM	BAM CS-XA-001-M12-5	369	BAM02ZT	BAM MC-MF-046-203-A-T	497
BAM002L	BMS CR-P-D12-AU-00	403	BAM02ZU	BMS CU-M-S25-D030-01	457
BAM002M	BMS CC-P-D12-A-00	399	BAM02ZW	BAM MB-MS-038-B19-1	457
BAM02M5	BAM MB-XA-025-D19,0-1	453	BAM003A	BMS BS-M-D12-0250-01	401
BAM02ML	BAM MC-XA-042-D20,0-1	457	BAM003C	BMS CS-M-D12-BX05-02	405
BAM02MN	BAM OF-VS-002-IR-27	327	BAM003E	BMS AD-M-002-D12/D12	481
BAM02MP	BAM OF-VS-002-IR-30	327	BAM003F	BMS BS-M-D12-0250-03	403
BAM02MR	BAM OF-VS-002-IR-40	327	BAM003H	BMS BS-M-D12-0400-04	403
BAM02MT	BAM SP-XO-002-0,5-40-31-A	325	BAM003J	BMS AD-M-003-D12/IZ	401
BAM02MZ	BAM MC-LG-037-B07-3	469	BAM003K	BMS CS-M-D12-ID16-01	407
BAM002N	BMS CS-P-D12-AD12-00	407	BAM003L	BMS CS-M-D12-ID24-01	407
BAM02N0	BAM MC-LG-038-B07-01-3	469	BAM003M	BMS CS-M-D12-ID36-01	407
BAM02N1	BAM MC-LG-038-B07-02-3	469	BAM003N	BMS CR-M-D12-IU-05	403
BAM02N2	BAM MC-LG-036-T01-3	469	BAM003P	BMS CS-M-D12-IQ40-02	407
BAM02N3	BAM MC-LG-040-B08-3	471	BAM003R	BMS CS-M-D12-IQ40-03	407
BAM02N4	BAM MC-LG-041-B07-3-S	471	BAM003T	BMS CASE-01	399
BAM02N5	BAM MC-LG-041-B07-3-L	471	BAM003U	BMS CC-P-D10-A-00	399
BAM02N6	BAM IA-XA-017-01	469	BAM003V	BMS KIT-V1	399
BAM02N7	BAM IA-XA-017-02	469	BAM003Y	BMS CS-M-D12-IZ-01	399
BAM02NA	BAM PC-VS-023-1	377	BAM0006	BTL2-GS10-0500-A	525
BAM02NC	BAM MB-LG-023-B13-3	469	BAM009A	BES 06,5-BS-1	433
BAM02NE	BAM MB-LG-024-0600-1	469	BAM009C	BES 06,5-KB-1	437
BAM02NF	BAM MB-LG-024-1000-1	469	BAM009E	BES 06,5-KB-3	437
BAM02NH	BAM MB-LG-024-1200-1	469	BAM009F	BES 06,5-KB-7	437
BAM02NJ	BAM MB-LG-024-1650-1	469	BAM009K	BES 08-DM-1	515
BAM02NK	BAM MB-LG-024-1900-1	469	BAM009L	BES 08-FA-49	355

616 | Alphanumeric Index | Sorted by ordering code

BAM009M	BES 08-FA-89	355	BAM022Z	BAM PT-XA-002-100-2-R15	349
BAM009N	BES 08-FA-BS-4,0-G	355	BAM023L	BMF 103-HW-85-SA1	489
BAM009P	BES 08-FA-BS-4,0-W	355	BAM023T	BOS R-55	299
BAM009R	BES 08-FA-BS-8,0-G	355	BAM023U	BOS R-56	299
BAM009T	BES 08-FA-BS-8,0-W	355	BAM023Y	BTL2-GS10-2500-A	525
BAM009U	BES 08-HW-1	441	BAM024C	BAM MC-XA-023-D30,0-2-FXL/W	421
BAM009Z	BES 08-SM-1	369	BAM024E	BAM MC-XA-024-D12,0-2-FM/W	419
BAM010W	BTL6-A-MF01-A-43	511	BAM024F	BAM MC-XA-024-D12,0-2-FXL/W	419
BAM010Y	BTL6-A-MF01-A-50	511	BAM024H	BAM MC-XA-024-D30,0-2-FM/W	421
BAM012A	BIS C-300-HG1	463	BAM024J	BTL2-S-3212-4Z	533
BAM012E	BIS C-108-MF-01	461	BAM024P	BMS CU-M-D12-B028-00	397
BAM012H	BIS L-203-ZH1	461	BAM024R	BMS CCJ-M-D12-B-01	397
BAM012J	BIS Z-HG-002	463	BAM024T	BMS CS-M-D12-BZ	407
BAM012K	BIS Z-HG-003	463	BAM024W	BAM PC-VS-017-1	377
BAM012L	BIS Z-HW-001	461	BAM025T	BAM TG-AM-015-001	361
BAM012M	BIS Z-MP-001	461	BAM025U	BAM FS-XE-005-M8-2-01P	363
BAM012N	BIS Z-ZA-001	463	BAM025W	BAM FS-XE-005-M8-2-01F	363
BAM012P	BKS-23-CS-00	369	BAM026J	BAM MC-XA-032-Q40-1	435
BAM012T	BKS-7/8-CS-00-A	381	BAM026K	BAM MB-NI-017-100-1	453
BAM013H	BTL-P-0814-GR-PAF	533	BAM026L	BAM MB-NI-017-400-1	453
BAM013J	BTL-P-1012-4R	533	BAM027E	BAM MC-XO-034-23K-4	481
BAM013K	BTL-P-1012-4R-PA	535	BAM027R	BAM MB-XA-018-B11-4	457
BAM013L	BTL-P-1013-4R	535	BAM027T	BAM TG-AM-015-002	363
BAM013M	BTL-P-1013-4R-PA	535	BAM029C	BAM PC-OS-024-50K-1	379
BAM013P	BTL-P-1013-4S	535	BAM029E	BAM PC-OS-024-23K-G/RK	379
BAM013R	BTL-P-1014-2R	535	BAM029F	BAM PC-OS-025-23K-M/RK	379
BAM013Y	BTL-P-1028-15R	535	BAM029H	BAM PC-OS-024-50K-G/RK	379
BAM014A	BTL2-S-5113-4K-EX	533	BAM029J	BAM PC-OS-025-50K-G/RK	379
BAM014C	BTL2-S-6216-8P	533	BAM029K	BAM PC-OS-026-23K-1	379
BAM014E	BTL2-S-6216-8P-EX	533	BAM029L	BAM PC-OS-024-23K-1	379
BAM014H	BTL5-F-2814-1S	529	BAM029M	BAM PC-OS-025-23K-1	379
BAM014K	BTL5-M-2814-1S	529	BAM029N	BAM AN-AM-001-01-1	377
BAM014L	BTL5-N-2814-1S	529	BAM029P	BAM PC-OS-026-50K-1	379
BAM014M	BTL5-P-3800-2	529	BAM029R	BAM LS-VS-004-C2/3-0614-2	321
BAM014P	BTL5-P-4500-1	529	BAM030N	BAM LS-FO-005-U1-22	331
BAM014T	BTL5-P-5500-2	529	BAM0031	BMS CS-M-D12-IZ	397
BAM014W	BTL6-A-3800-2	529	BAM031N	BAM FS-XE-005-M8/RK6	361
BAM014Z	BTL6-A-3801-2	529	BAM0032	BMS CS-M-D12-ID18-01	407
BAM015A	BES 516-MB-18	437	BAM032T	BAM IA-XA-031-200-R	397
BAM015C	BES 516-MB-30	437	BAM032U	BAM IA-MS-030-A5	541
BAM015U	BESA-08-CM	391	BAM032W	BAM IA-XA-023-01	541
BAM015W	BESA-12-CM	391	BAM0033	BMS CS-M-D12-ID30-01	407
BAM015Y	BESA-18-CM	391	BAM033A	BAM MC-XA-021-M8-4-01	515
BAM015Z	BESA-30-CM	391	BAM033K	BMS AD-M-004-X19/MIS-D	397
BAM0017	BMF 305-HW-91	495	BAM033L	BAM TO-CC-001-M4-0,6/12,0/18,0	521
BAM017E	BKS-PT-07/16-SI-15	349	BAM033T	BMS BS-M-D12-0250-05	401
BAM017H	BKS-PT-10/16-SI-15	349	BAM033U	BMS CU-M-D30-E040-00	397
BAM017L	BKS-PT-13/16-SI-15	351	BAM033W	BMS CC-M-D30-E-00	399
BAM017N	BKS-PT-16/16-SI-15	351	BAM033Y	BMS CC-M-D30-E-01	399
BAM017R	BKS-PT-19/16-SI-15	351	BAM033Z	BMS RS-M-D30-0300-01	401
BAM017U	BKS-PT-38/16-SI-07.5	351	BAM0034	BMS CR-M-D12-IU-02	403
BAM017Z	BKS-PT-50/16-SI-07.5	351	BAM034A	BAM MC-XA-049-D30,0-5	429
BAM019W	BAM FS-XE-004-M8-4	357	BAM034C	BAM MB-NI-017-250-1	453
BAM019Y	BAM FS-XE-003-M5-4	357	BAM034K	BMS CUJ-M-D30-E057-00	397
BAM020P	BAM LS-FO-003-M6-L	331	BAM034L	BMS CUJ-M-D30-E060-01	397
BAM020R	BIS Z-SP-004	461	BAM034N	BAM MB-XE-031-Q40-A-01	435
BAM021E	BAM PT-XA-005-260-T-R20	349	BAM0035	BMS CR-M-D12-IS-03	401
BAM021F	BAM PT-XA-005-510-T-R20	349	BAM035A	BMS CS-M-D30-BZ-03	399
BAM021R	BAM PC-XA-016-001-A	377	BAM035N	BMS CS-M-D12-IZ-02	399
BAM021T	BMS RS-M-D12-0200-00	401	BAM035P	BMS CC-M-D12-B-03	399
BAM021U	BMS RS-M-D12-0750-00	401	BAM035R	BAM LS-VS-007-C1/1-0818-C	325
BAM021W	BMS RS-M-D12-0300-00	401	BAM035T	BAM LS-VS-007-C1/1-1618-C	325
BAM021Y	BMS RS-M-D12-0100-00	399	BAM035U	BAM LS-VS-007-C1/1-2518-C	325
BAM022A	BAM MC-XO-030-6K-4	479	BAM035W	BAM LS-VS-007-C1/1-5018-C	325
BAM022K	BAM MC-XA-023-D18,0-2-FS	421	BAM035Y	BAM FS-AM-011-D45,0-4	435
BAM022L	BAM MC-XA-023-D18,0-2-FL	421	BAM035Z	BAM MC-XE-052-D45,0-1	435
BAM022M	BAM MC-XA-024-D18,0-2-FM/W	421	BAM0036	BMS CS-M-D12-ID08-01	407
BAM022W	BAM FS-XE-005-M8-2-01R	363	BAM0037	BMS CS-M-D12-ID12-01	407

BAM037F	BMS AD-M-005-D12/X01	477	BAM0278	BAM MB-XA-019-B11-4	403
BAM037H	BMS AD-M-005-D12/X02	477	BAM0291	BAM TO-XA-009-A-0,7-2,0	521
BAM037R	BMS AD-M-005-D12/X03	477	BAM0304	BMS CS-M-D12-S6K-01	479
BAM037T	BAM MC-XA-054-D02,0-4	429	BAM0305	BMS CS-M-D12-S6K-03	479
BAM037U	BAM MC-XA-054-D03,0-4	429	BAM0306	BMS CS-M-D12-FX18-02	479
BAM037W	BAM MC-XA-054-D04,0-4	429	BAM0310	BAM MC-XA-023-D08,0-4-FS/W	419
BAM037Y	BAM MC-XA-054-D05,0-4	429	BAM0313	BAM MC-XA-023-D08,0-2-FS	419
BAM0038	BMS AD-M-002-D12/D18	481	BAM0318	BAM MC-XA-023-D08,0-2-FXL/W	419
BAM0039	BMS BS-M-D12-0250-02	403	BAM0327	BAM MC-XA-027-D20,0-1	433
BAM0040	BMS CS-M-D12-BX06-03	405	BAM0330	BAM RF-XO-025-S023/40-PM-AS	303
BAM0041	BMS CZ-M-D12-I-001	401	BAM0331	BAM RF-XO-026-S012/40-PM-AS	305
BAM0042	BMS CR-M-D12-IS-04	403	BAM0332	BAM RF-XO-027-S004/25-PM-AS	305
BAM0043	BMS CS-M-D12-B21K-04	405	BAM0333	BAM RF-XO-030-S000/04-PM-FA	301
BAM0044	BMS CU-M-D12-1060-01	397	BAM0336	BIS Z-HW-008	461
BAM0045	BMS RS-S-D12-0150-00	401	BAM0337	BIS Z-HW-009	461
BAM0046	BMS RS-S-D12-0300-00	401	BAM0340	BMS RS-M-D30-0500-01	401
BAM0092	BES 03,0-KB-3	437	BAM0341	BMS RS-M-D30-1000-01	401
BAM0094	BES 04,0-KB-1	437	BAM0343	BMS CSJ-M-D30-EX19-02	399
BAM0095	BES 04,0-KB-3	437	BAM0349	BAM MC-XA-049-D18,0-5	429
BAM0097	BES 05,0-KB-1	437	BAM0360	BAM MC-XE-051-D45,0-3	435
BAM0098	BES 05,0-KB-3	437	BAM0364	BAM LS-VS-006-C2/3-0814-5	323
BAM0099	BES 05,0-KH-2S	419	BAM0365	BAM LS-VS-006-C2/3-1214-5	323
BAM0110	BT6-A-MF03-K-50	511	BAM0366	BAM LS-VS-006-C2/3-1614-5	323
BAM0114	BKS-12-CS-01	381	BAM0367	BAM LS-VS-006-C2/3-2514-5	323
BAM0115	BKS-12-CS-02	381	BAM0368	BAM LS-VS-006-C2/3-3514-5	323
BAM0120	BKT M-PK-1	331	BAM0369	BAM LS-VS-006-C2/3-5014-5	325
BAM0121	BKT M-PK-2	331	BAM0377	BAM MC-XA-053-D20,0-1	433
BAM0122	BKT M-PK-3	333	BAM0379	BAM MC-XA-050-D45,0-1	435
BAM0126	BOS R-10	307	BCC0A0A	BCC A315-0000-1A-R04	259
BAM0127	BIS C-122-AD-1	461	BCC0A03	BCC M438-0000-1A-000-51X850-000	199
BAM0128	BIS C-122-AD-2	461	BCC0A04	BCC M438-0000-2A-000-51X850-000	201
BAM0146	BTL2-S-4414-4Z	533	BCC0A05	BCC M43C-0000-1A-000-54XC25-000	203
BAM0147	BTL2-S-4414-4Z-EX	533	BCC0A06	BCC M43C-0000-2A-000-54XC25-000	203
BAM0148	BTL2-S-4414-4Z01-EX	533	BCC0A7M	BCC A353-A353-30-RN036-000	223
BAM0149	BTL2-S-5113-4K	533	BCC0A7N	BCC A355-A355-30-RN037-000	223
BAM0158	BES 516-MB-08	435	BCC0A08	BCC M415-0000-1A-R04	259
BAM0159	BES 516-MB-12	437	BCC0A09	BCC A315-0000-2A-R04	259
BAM0182	BKS-PW-51/30-SI-TR-11	349	BCC0AA5	BCC A313-A313-A313-T0021-000	159
BAM0183	BKS-PW-26/20-SI-TR-03,5	349	BCC0AA6	BCC A314-A314-A314-T0022-000	159
BAM0206	BAM FK-VS-002-03-1	387	BCC0AA7	BCC A315-A315-A315-T0023-000	159
BAM0212	BAM PT-XA-004-070-T-R16	349	BCC0AT9	BCC A333-0000-10-000-61X3A5-000	167
BAM0213	BAM PT-XA-004-100-T-R16	351	BCC0ATA	BCC A333-0000-10-000-71X3A5-000	167
BAM0214	BAM PT-XA-004-130-T-R16	351	BCC0ATC	BCC A333-0000-20-000-61X3A5-000	167
BAM0215	BAM PT-XA-004-160-T-R16	351	BCC0ATE	BCC A333-0000-20-000-71X3A5-000	167
BAM0216	BAM PT-XA-004-190-T-R16	351	BCC0ATF	BCC A335-0000-20-000-81X5A5-000	175
BAM0217	BAM PT-XA-004-500-T-R16	351	BCC0ATH	BCC A335-0000-10-000-81X5A5-000	173
BAM0218	BAM MC-XA-027-D12,0-1	433	BCC0C6E	BCC M415-0000-1B-R01	259
BAM0219	BAM MC-XA-027-D18,0-1	433	BCC0CAE	BCC M455-0000-1A-RM020-020	235
BAM0225	BAM MB-XO-014-B10-4-RRR	479	BCC0CR2	BCC M415-U024-8F-696-VX04T8-018	117
BAM0227	BAM MB-XO-014-B10-4-BLS	479	BCC0CU2	BCC A353-0000-10-RN057-006	229
BAM0228	BAM MB-XO-014-B10-4-RLS	479	BCC0CU3	BCC A353-0000-10-RN057-020	229
BAM0230	BAM PT-XA-002-130-2-R15	349	BCC0CU4	BCC A353-0000-20-RN057-006	231
BAM0231	BAM PT-XA-002-190-2-R15	349	BCC0CU5	BCC A353-0000-20-RN057-020	231
BAM0232	BAM PT-XA-002-380-2-R15	349	BCC0CU6	BCC A354-0000-10-RN059-006	229
BAM0233	BAM PT-XA-002-500-2-R15	349	BCC0CU7	BCC A354-0000-10-RN059-020	229
BAM0242	BMF 303-HW-114	491	BCC0CU9	BCC A354-0000-20-RN059-006	231
BAM0246	BAM MC-XA-023-D12,0-2-FS	419	BCC0CUA	BCC A354-0000-20-RN059-020	231
BAM0247	BAM MC-XA-023-D12,0-2-FM/W	419	BCC0CWL	BCC M454-0000-1A-RN053-006	237
BAM0255	BAM MB-NI-016-800-1	453	BCC0CWM	BCC M454-0000-1A-RN053-020	237
BAM0260	BAM FS-XE-005-M8-2-01T	363	BCC0CYC	BCC M458-0000-2A-RN056-006	243
BAM0264	BAM MC-XA-023-D30,0-2-FS	421	BCC0CYE	BCC M458-0000-2A-RN056-020	243
BAM0265	BAM MC-XA-023-D30,0-2-FXL	421	BCC0CYK	BCC M458-0000-2A-RN066-020	243
BAM0269	BAM MC-XA-027-D08,0-1	433	BCC0CYN	BCC M455-0000-2A-RN054-006	243
BAM0270	BAM TG-ID-016-A01	541	BCC0CYP	BCC M455-0000-2A-RN054-020	243
BAM0271	BAM TG-ID-016-H01	541	BCC0CYR	BCC M455-0000-2A-RN063-006	241
BAM0272	BAM TG-ID-016-H02	541	BCC0CYT	BCC M455-0000-2A-RN063-020	241
BAM0275	BMS CU-M-D12-B040-00	397	BCC0CYY	BCC M458-0000-1A-RN056-006	239
BAM0277	BMS CS-M-D12-BX17-11	405	BCC0CZY	BCC M458-0000-1A-RN056-020	239

618 | Alphanumeric Index I Sorted by ordering code

BCC0C20	BCC M454-0000-1A-RN060-006	237	BCC0KL8	BCC Z032-0000-10-148-VSOCT4-200	107
BCC0C21	BCC M454-0000-1A-RN060-020	237	BCC0KL9	BCC U0AA-U019-90-736-Z19004-010	119
BCC0C22	BCC M454-0000-2A-RN053-006	243	BCC0KLA	BCC U0AA-U019-90-736-Z19004-030	119
BCC0C23	BCC M454-0000-2A-RN053-020	243	BCC0KLC	BCC U0AA-U019-90-736-Z19004-050	119
BCC0C24	BCC M454-0000-2A-RN060-006	241	BCC0KR4	BCC M488-0000-2A-000-01X850-000	203
BCC0C25	BCC M454-0000-2A-RN060-020	241	BCC00N2	BIS C-505-PU-05	113
BCC0C26	BCC M455-0000-1A-RN054-006	239	BCC00N3	BIS C-505-PU-10	113
BCC0C27	BCC M455-0000-1A-RN054-020	239	BCC00N7	BIS C-506-PU-05	113
BCC0C28	BCC M455-0000-1A-RN063-006	237	BCC00N8	BIS C-506-PU-10	113
BCC0C29	BCC M455-0000-1A-RN063-020	237	BCC00R8	BIS Z-501-PU1-02/M	115
BCC0E1K	BCC M458-0000-1A-RN066-006	237	BCC00R9	BIS Z-501-PU1-05/E	115
BCC0E1L	BCC M458-0000-1A-RN066-020	237	BCC00RA	BIS Z-501-PU1-05/M	115
BCC0E1M	BCC M458-0000-2A-RN066-006	243	BCC00RC	BIS Z-501-PU1-10/E	115
BCC0E2Z	BCC M354-0000-20-RM050-005	233	BCC00TT	BKS-S 32M-00	209
BCC0E4Y	BCC M353-0000-10-RM049-005	233	BCC00TU	BKS-S 32M-02	101
BCC0E4Z	BCC M353-0000-10-RM049-020	233	BCC00TY	BKS-S 32M-05	101
BCC0E5A	BCC M45C-0000-1A-RM081-020	235	BCC00TZ	BKS-S 32M-10	101
BCC0E5C	BCC M45C-0000-2A-RM081-005	241	BCC00UP	BKS-S 33M-00	209
BCC0E5E	BCC M45C-0000-2A-RM081-020	241	BCC00UR	BKS-S 33M-02	103
BCC0E5F	BCC M455-0000-2A-RM014-020	239	BCC00UU	BKS-S 33M-05	103
BCC0E7N	BCC M333-0000-20-000-31X350-000-C027	179	BCC00UW	BKS-S 33M-10	103
BCC0E32	BCC M354-0000-20-RM050-020	233	BCC00YE	BKS-S115-PU-02	103
BCC0E35	BCC M354-0000-10-RM050-005	233	BCC00YF	BKS-S115-PU-05	103
BCC0E38	BCC M354-0000-10-RM050-020	233	BCC00YH	BKS-S115-PU-10	103
BCC0E50	BCC M353-0000-20-RM049-005	233	BCC00ZN	BKS-S151-19-PC-02	101
BCC0E51	BCC M353-0000-20-RM049-020	233	BCC00ZP	BKS-S151-19-PC-05	101
BCC0E53	BCC M454-0000-2A-RM020-020	239	BCC00ZR	BKS-S151-19-PC-10	101
BCC0E54	BCC M455-0000-1A-RM014-020	235	BCC02H6	BKS-S 76-RT04	199
BCC0E55	BCC M458-0000-1A-RM015-005	235	BCC02H7	BKS-S 77-RT04	189
BCC0E56	BCC M458-0000-1A-RM015-020	235	BCC02H8	BKS-S107-RT14	193
BCC0E57	BCC M458-0000-2A-RM015-005	241	BCC02H9	BKS-S109-RT14	187
BCC0E58	BCC M458-0000-2A-RM015-020	241	BCC02HC	BKS-S111-RT13	177
BCC0E59	BCC M45C-0000-1A-RM081-005	235	BCC02HE	BKS-S113-RT13	179
BCC0E63	BCC A354-0000-10-RN010-006	229	BCC02HF	BKS-S216-RT14	181
BCC0E64	BCC A354-0000-20-RN010-006	231	BCC02HH	BKS-S218-RT14	183
BCC0F2T	BCC M415-M313-3F-RA101-000	253	BCC03WZ	BCC M474-0000-2D-000-51X475-000	207
BCC0F2U	BCC M415-M314-3F-RA102-000	253	BCC03Y0	BCC M484-0000-2D-000-51X475-000	207
BCC0F2Y	BCC M314-M414-3E-RA102-000	253	BCC03Y1	BCC M474-0000-1D-000-51X475-000	205
BCC0F4J	BCC HB75-0000-PA-121-VX85B5-020	107	BCC03Y2	BCC M484-0000-1D-000-51X475-000	207
BCC0F4K	BCC HB75-0000-PA-121-VX85B5-050	107	BCC04MC	BCC M478-0000-1A-000-43X834-000	201
BCC0F4L	BCC HB75-0000-PA-121-VX85B5-100	107	BCC04ME	BCC M488-0000-1A-000-43X834-000	201
BCC0F4N	BCC HB75-HB75-NA-370-VX85B5-020	117	BCC006A	BKS-S 48-15-CP-05	99
BCC0F4P	BCC HB75-HB75-NA-370-VX85B5-050	117	BCC006C	BKS-S 48-15-CP-10	99
BCC0F4R	BCC HB75-HB75-NA-370-VX85B5-100	117	BCC06EY	BCC M435-0000-2A-000-51X575-000	195
BCC0F4W	BCC HA78-HA78-9D-334-PS54N2-020	111	BCC06F6	BCC M435-0000-1A-000-51X475-000	191
BCC0F4Y	BCC HA78-HA78-9D-334-PS54N2-050	111	BCC06F7	BCC M434-0000-2A-000-51X475-000	185
BCC0F4Z	BCC HA78-HA78-9D-334-PS54N2-100	111	BCC06FH	BCC E834-0000-20-000-53X4T2-000	209
BCC0F5C	BCC M314-M313-M313-U0056-000	159	BCC06M4	BCC M434-0000-2A-000-41X475-000	183
BCC0F9M	BCC M434-0000-2A-000-45X450-000	185	BCC06W9	BCC M435-0000-1A-000-51X575-000	191
BCC0F9N	BCC M435-0000-1A-000-45X450-000	191	BCC06Y4	BCC M415-0000-2A-R03	259
BCC0F47	BCC M313-M413-3E-RA101-000	253	BCC06Y5	BCC M434-0000-2A-000-55X450-000	185
BCC0F52	BCC HA72-HA72-9A-371-PX52L2-020	111	BCC06Y6	BCC M435-0000-1A-000-55X450-000	191
BCC0F53	BCC HA72-HA72-9A-371-PX52L2-050	111	BCC06Y8	BCC M445-0000-1A-000-51X475-000	197
BCC0F54	BCC HA72-HA72-9A-371-PX52L2-100	113	BCC06YA	BCC M435-0000-2A-000-41X575-000	195
BCC0FCK	BCC M414-M414-6A-710-PS0434-003	113	BCC06YP	BCC M454-M454-5D-RM002-000	223
BCC0HAH	BCC M478-0000-2A-000-41X850-000	201	BCC06Z1	BCC M333-0000-10-000-31X350-000	177
BCC0HKZ	BCC VA04-M415-3E-RA125-000	253	BCC06Z5	BCC M334-0000-10-000-31X450-000	181
BCC0HLN	BCC M333-0000-10-000-13X325-000	175	BCC06Z7	BCC M334-0000-20-000-31X450-000	183
BCC0HLP	BCC M333-0000-20-000-13X325-000	177	BCC06Z9	BCC M435-0000-1A-000-41X475-000	189
BCC0HLR	BCC M334-0000-10-000-13X425-000	179	BCC06ZA	BCC M445-0000-1A-000-41X475-000	197
BCC0HLT	BCC M334-0000-20-000-13X425-000	181	BCC06ZC	BCC M444-0000-2A-000-41X475-000	187
BCC0HLU	BCC M333-0000-10-000-13X350-000	175	BCC06ZE	BCC M444-0000-2A-000-51X475-000	187
BCC0HLW	BCC M333-0000-20-000-13X350-000	179	BCC06ZF	BCC M435-0000-1A-000-41X575-000	189
BCC0HLY	BCC M334-0000-10-000-13X450-000	181	BCC06ZH	BCC M445-0000-1A-000-41X575-000	197
BCC0HLZ	BCC M334-0000-20-000-13X450-000	183	BCC06ZJ	BCC M445-0000-1A-000-51X575-000	197
BCC0HTL	BCC M478-0000-2X-000-E3X8T2-000	207	BCC06ZK	BCC M445-0000-2A-000-41X575-000	199
BCC0KL6	BCC Z032-0000-10-148-VSOCT4-050	107	BCC06ZL	BCC M445-0000-2A-000-51X575-000	199
BCC0KL7	BCC Z032-0000-10-148-VSOCT4-100	107	BCC06ZM	BCC M475-0000-1A-000-01X475-000	193

BCC06ZN	BCC M475-0000-1A-000-01X575-000	193	BCC M415-M415-3A-330-①-②	93
BCC06ZY	BCC M435-0000-1A-000-43X434-000	189	BCC A315-A315-30-330-①-②	93
BCC08CO	BCC M434-0000-2A-000-43X434-000	185	BCC A314-0000-10-003-①-②	69
BCC08CA	BCC M415-M415-M415-U0007-000	161	BCC A314-0000-20-003-①-②	69
BCC009A	BKS-S137-19-PC-10	99	BCC A324-0000-10-003-①-②	69
BCC09EU	BCC M333-0000-10-000-22X334-000	177	BCC A324-0000-20-003-①-②	69
BCC09JC	BCC M415-M313-M313-U0014-000	161	BCC A314-A314-30-304-①-②	71
BCC09JP	BCC M435-0000-1A-000-A1X575-000	193	BCC A314-A324-30-304-①-②	71
BCC09JW	BCC M435-0000-2A-000-A1X575-000	195	BCC A324-A314-30-304-①-②	71
BCC09JZ	BCC M455-0000-1A-RM014-005	235	BCC A324-A324-30-304-①-②	71
BCC09KO	BCC M455-0000-2A-RM014-005	239	BCC A315-0000-10-063-①-②	73
BCC09MR	BCC M415-0000-2A-R04	259	BCC A315-0000-20-063-①-②	73
BCC09MU	BCC M415-M415-M415-U0016-000	161	BCC A325-0000-10-063-①-②	73
BCC010E	BKS-S233-PU-02	105	BCC A325-0000-20-063-①-②	73
BCC010F	BKS-S233-PU-05	105	BCC A315-A315-30-335-①-②	75
BCC010H	BKS-S233-PU-10	105	BCC A315-A325-30-335-①-②	75
BCC0069	BKS-S 48-15-CP-02	99	BCC A325-A315-30-335-①-②	75
BCC070A	BCC A334-0000-20-000-61X4A5-000	171	BCC A325-A325-30-335-①-②	75
BCC070C	BCC A334-0000-20-000-71X4A5-000	171	BCC M418-M418-6X-378-PS58N9①-②	89
BCC070E	BCC A335-0000-10-000-51X5A5-000	171	BCC M418-E818-8X0-723-PS58N9①-②	89
BCC070F	BCC A335-0000-10-000-61X5A5-000	171	BCC E818-E818-90-377-PS58N9①-②	89
BCC070H	BCC A335-0000-10-000-71X5A5-000	173	BCC M414-M414-6D-331-PS54N2①-②	85
BCC070J	BCC A335-0000-20-000-51X5A5-000	173	BCC M414-E834-8G-668-PS54N2①-②	85
BCC070K	BCC A335-0000-20-000-61X5A5-000	173	BCC E834-E834-90-334-PS54N2①-②	85
BCC070L	BCC A335-0000-20-000-71X5A5-000	175	BCC M414-M414-6D-338-ES64N9①-②	87
BCC085F	BCC M414-E814-BG-RM013-000	223	BCC M414-E894-8G-672-ES64N9①-②	87
BCC085H	BCC M424-E814-BG-RM013-000	223	BCC E894-E894-90-339-ES64N9①-②	87
BCC086A	BCC M475-0000-2A-000-01X575-000	195	BCC M41C-0000-1A-049-PX0C25①-②	45
BCC088K	BCC M418-M41C-3A-674-PX0825-010	117	BCC M41C-0000-2A-049-PX0C25①-②	45
BCC088L	BCC M418-M41C-3A-674-PX0825-020	117	BCC M42C-0000-1A-049-PX0C25①-②	45
BCC088T	BCC M62C-M41C-3E-675-PX0C25-010	115	BCC M42C-0000-2A-049-PX0C25①-②	45
BCC088U	BCC M62C-M41C-3E-675-PX0C25-020	115	BCC M41C-M41C-3A-325-PX0C25①-②	45
BCC089P	BCC M415-M415-M415-U0003-000	161	BCC M61C-0000-10-065-PX0BP4①-②	97
BCC0098	BKS-S137-19-PC-02	99	BCC M62C-0000-10-065-PX0BP4①-②	97
BCC098M	BCC A355-0000-10-RN022-006	229	BCC M61L-0000-10-022-PX0LP4①-②	97
BCC098N	BCC A355-0000-10-RN022-020	229	BCC M62L-0000-10-022-PX0LP4①-②	97
BCC098P	BCC A355-0000-20-RN022-006	231	BCC M313-M313-30-300-①-②	19
BCC098R	BCC A355-0000-20-RN022-020	231	BCC M313-M323-30-300-①-②	19
BCC0099	BKS-S137-19-PC-05	99	BCC M313-M413-3E-300-①-②	19
BCC099A	BCC M454-0000-2A-RM020-005	239	BCC M313-M423-3E-300-①-②	19
BCC099C	BCC M455-0000-1A-RM020-005	235	BCC M314-M314-30-304-①-②	31
BCC0102	BKS-S232-PU-02	105	BCC M314-M324-30-304-①-②	31
BCC0103	BKS-S232-PU-05	105	BCC M314-M414-3E-304-①-②	31
BCC0104	BKS-S232-PU-10	105	BCC M314-M424-3E-304-①-②	31
BCC0706	BCC A334-0000-10-000-51X4A5-000	169	BCC M313-0000-10-001-①-②	15
BCC0707	BCC A334-0000-10-000-61X4A5-000	169	BCC M313-0000-20-001-①-②	15
BCC0708	BCC A334-0000-10-000-71X4A5-000	169	BCC M323-0000-10-001-①-②	15
BCC0709	BCC A334-0000-20-000-51X4A5-000	169	BCC M323-0000-20-001-①-②	15
BCC0714	BCC M475-0000-2B-000-01X575-000	205	BCC M313-0000-10-004-①-②	15
BCC0715	BCC M475-0000-1B-000-01X575-000	203	BCC M323-0000-10-004-①-②	15
BCC0716	BCC M485-0000-2B-000-01X575-000	205	BCC M323-0000-10-006-①-②	15
BCC0717	BCC M485-0000-1B-000-01X575-000	205	BCC M313-0000-10-036-①-②	15
BCC0718	BCC M415-0000-2B-R01	259	BCC M323-0000-10-036-①-②	15
BCC0719	BCC M415-0000-2B-R02	259	BCC M323-M313-30-300-①-②	21
BCC0720	BCC A354-0000-10-RN010-020	229	BCC M323-M323-30-300-①-②	21
BCC0722	BCC A354-0000-20-RN010-020	231	BCC M323-M313-30-602-①-②	21
BCC0723	BCC A354-A354-30-RN011-000	223	BCC M323-M413-3E-300-①-②	21
BCC0869	BCC M474-0000-2A-000-01X475-000	187	BCC M323-M423-3E-300-①-②	21
BCC A313-0000-10-097-PX03A5①-②	67	BCC M323-M413-3E-602-①-②	21	
BCC A323-0000-10-097-PX03A5①-②	67	BCC M323-M413-3E-602-①-②	21	
BCC A313-A313-30-365-PX03A5①-②	67	BCC M314-0000-10-003-①-②	27	
BCC A313-0000-10-071-VX43W6①-②	67	BCC M314-0000-20-003-①-②	27	
BCC A313-0000-20-071-VX43W6①-②	67	BCC M324-0000-10-003-①-②	27	
BCC A323-0000-10-071-VX43W6①-②	67	BCC M324-0000-20-003-①-②	27	
BCC A323-0000-20-071-VX43W6①-②	67	BCC M324-0000-10-008-①-②	27	
BCC A315-A315-30-330-①-②	93	BCC M314-0000-10-014-①-②	27	
		BCC M324-0000-10-014-①-②	27	
		BCC M324-M314-30-304-①-②	33	
		BCC M324-M324-30-304-①-②	33	
		BCC M324-M414-3E-304-①-②	33	
		BCC M324-M424-3E-304-①-②	33	
		BCC M415-0000-1A-001-①-②	17	
		BCC M413-0000-2A-001-①-②	17	
		BCC M425-0000-1A-001-①-②	17	
		BCC M423-0000-2A-001-①-②	17	
		BCC M415-0000-1A-004-①-②	17	
		BCC M425-0000-1A-004-①-②	17	
		BCC M425-0000-1A-006-①-②	17	
		BCC M415-0000-1A-036-①-②	17	
		BCC M413-0000-2A-036-①-②	17	
		BCC M425-0000-1A-036-①-②	17	

BCC M423-0000-2A-036-	①- ②	17	BCC M324-0000-10-003-PW3434①-	②	48
BCC M415-0000-1A-002-	①- ②	17	BCC M415-0000-1A-003-PW3434①-	②	48
BCC M413-0000-2A-002-	①- ②	17	BCC M425-0000-1A-003-PW3434①-	②	48
BCC M425-0000-1A-002-	①- ②	17	BCC M425-0000-1A-099-PW3434①-	②	48
BCC M415-0000-1A-005-	①- ②	17	BCC M425-0000-1A-100-PW3534①-	②	48
BCC M425-0000-1A-005-	①- ②	17	BCC M323-M413-3E-602-PW3334①-	②	51
BCC M415-0000-1A-037-	①- ②	17	BCC M425-M413-3A-602-PW3334①-	②	51
BCC M413-0000-2A-037-	①- ②	17	BCC M415-M414-3A-304-PW3434①-	②	51
BCC M425-0000-1A-037-	①- ②	17	BCC M425-M414-3A-304-PW3434①-	②	51
BCC M414-M313-M313-U2026	②	151	BCC M425-M413-3E-691-PW3434①-	②	51
BCC M414-M415-M415-U2028	②	151	BCC M415-M415-3A-313-PW3534①-	②	51
BCC M414-M425-M425-U2028	②	151	BCC M425-M415-3A-313-PW3534①-	②	51
BCC M414-M313-M313-U2012	②	151	BCC M425-M415-3A-692-PW3534①-	②	51
BCC M414-M323-M323-U2012	②	151	BCC M425-M413-3F-300-	①- ②	25
BCC M414-M415-M415-U2010	②	151	BCC M425-M323-3F-300-	①- ②	25
BCC M414-M425-M425-U2010	②	151	BCC M425-M413-3A-300-	①- ②	25
BCC M414-M415-M415-U2002	②	151	BCC M425-M423-3A-300-	①- ②	25
BCC M414-M425-M425-U2002	②	151	BCC M425-M324-3F-602-	①- ②	25
BCC M415-0000-1B-031-PS72N1①-	②	91	BCC M425-M323-3F-602-	①- ②	25
BCC M415-M412-3B-329-PS72N1①-	②	91	BCC M425-M413-3A-602-	①- ②	25
BCC M415-M313-3F-300-	①- ②	23	BCC M425-M314-3F-304-	①- ②	37
BCC M415-M323-3F-300-	①- ②	23	BCC M425-M324-3F-304-	①- ②	37
BCC M415-M413-3A-300-	①- ②	23	BCC M425-M414-3A-304-	①- ②	37
BCC M415-M423-3A-300-	①- ②	23	BCC M425-M424-3A-304-	①- ②	37
BCC M415-M314-3F-304-	①- ②	35	BCC M425-M414-3A-606-	①- ②	37
BCC M415-M324-3F-304-	①- ②	35	BCC VA04-0000-10-054-	①- ②	77
BCC M415-M414-3A-304-	①- ②	35	BCC VA04-0000-10-053-	①- ②	77
BCC M415-M424-3A-304-	①- ②	35	BCC VA04-M413-3E-664-	①- ②	77
BCC M415-M414-3A-606-	①- ②	35	BCC PA04-0000-10-070-PX0550①-	②	77
BCC M415-M414-3A-305-PS0434①-	②	35	BCC PA24-0000-10-070-PX0550①-	②	77
BCC M418-0000-1A-044-PX0825①-	②	43	BCC M415-VA04-VA04-U2005-	②	153
BCC M418-0000-2A-044-PX0825①-	②	43	BCC M415-VA04-VA04-U2004-	②	153
BCC M428-0000-1A-044-PX0825①-	②	43	BCC VA04-VA04-M415-T4075-	②	153
BCC M428-0000-2A-044-PX0825①-	②	43	BCC VB03-0000-10-055-	①- ②	79
BCC M418-M418-3A-342-PX0825①-	②	43	BCC VB23-0000-10-055-	①- ②	79
BCC M418-0000-1A-069-PX0825①-	②	43	BCC VB43-0000-10-055-	①- ②	79
BCC M428-0000-1A-069-PX0825①-	②	43	BCC VB63-0000-10-055-	①- ②	79
BCC M418-0000-1A-046-PS0825①-	②	43	BCC VB03-M413-3E-666-PX0350①-	②	81
BCC M428-0000-1A-046-PS0825①-	②	43	BCC VB23-M413-3E-666-PX0350①-	②	81
BCC M415-0000-1A-003-	①- ②	29	BCC VB43-M413-3E-666-PX0350①-	②	81
BCC M414-0000-2A-003-	①- ②	29	BCC VB63-M413-3E-666-PX0350①-	②	81
BCC M425-0000-1A-003-	①- ②	29	BCC VC04-0000-10-053-	①- ②	83
BCC M424-0000-2A-003-	①- ②	29	BCC VC04-M413-3E-664-PX0350①-	②	83
BCC M415-0000-1A-008-	①- ②	29	BCC VC44-0000-10-053-	①- ②	83
BCC M425-0000-1A-008-	①- ②	29	BCC VC44-M413-3E-664-PX0350①-	②	83
BCC M424-0000-2A-008-	①- ②	29	BCC W415-0000-1A-003-SW0434①-	②	57
BCC M415-0000-1A-010-	①- ②	29	BCC W425-0000-1A-003-SW0434①-	②	57
BCC M425-0000-1A-010-	①- ②	29	BCC W415-W414-3A-304-SW0434①-	②	57
BCC M415-0000-1A-014-	①- ②	29	BCC W425-W414-3A-304-SW0434①-	②	57
BCC M414-0000-2A-014-	①- ②	29	BCC W415-W414-3A-650-SW0434①-	②	57
BCC M425-0000-1A-014-	①- ②	29	BCC W425-W414-3A-650-SW0434①-	②	57
BCC M424-0000-2A-014-	①- ②	29	BCC W313-0000-10-001-BW8334①-	②	53
BCC M415-0000-1A-017-PX0534①-	②	39	BCC W323-0000-10-001-BW8334①-	②	53
BCC M415-0000-2A-017-PX0534①-	②	39	BCC W314-0000-10-003-BW8434①-	②	53
BCC M425-0000-1A-017-PX0534①-	②	39	BCC W324-0000-10-003-BW8434①-	②	53
BCC M415-0000-1A-034-PX0534①-	②	39	BCC W415-0000-1A-003-BW8434①-	②	53
BCC M415-0000-2A-034-PX0534①-	②	39	BCC W425-0000-1A-003-BW8434①-	②	53
BCC M425-0000-1A-034-PX0534①-	②	39	BCC W313-0000-10-001-TW0334①-	②	59
BCC M425-0000-1A-039-PX0534①-	②	39	BCC W323-0000-10-001-TW0334①-	②	59
BCC M425-0000-1A-040-PX0534①-	②	39	BCC W314-0000-10-003-TW0434①-	②	59
BCC M415-M415-3A-312-PX0534①-	②	41	BCC W324-0000-10-003-TW0434①-	②	59
BCC M425-M415-3A-312-PX0534①-	②	41	BCC W415-0000-1A-003-TW0434①-	②	59
BCC M415-M415-3A-313-PX0534①-	②	41	BCC W425-0000-1A-003-TW0434①-	②	59
BCC M425-M415-3A-313-PX0534①-	②	41	BCC W313-0000-10-001-MW8334①-	②	63
BCC M425-M415-3A-660-PX0534①-	②	41	BCC W323-0000-10-001-MW8334①-	②	63
BCC M425-M425-3A-660-PX0534①-	②	41	BCC W314-0000-10-003-MW8434①-	②	63
BCC M425-M415-3A-661-PX0534①-	②	41	BCC W324-0000-10-003-MW8434①-	②	63
BCC M425-M425-3A-661-PX0534①-	②	41	BCC W415-0000-1A-003-MW8434①-	②	63
BCC M415-M415-3A-315-PS0534①-	②	41	BCC W425-0000-1A-003-MW8434①-	②	63
BCC M415-0000-1A-001-PH0334①-	②	47	BCC W313-W313-30-300-BW8334①-	②	55
BCC M425-0000-1A-001-PH0334①-	②	47	BCC W415-W414-3A-304-BW8434①-	②	55
BCC M415-0000-1A-003-PH0434①-	②	47	BCC W425-W414-3A-304-BW8434①-	②	55
BCC M425-0000-1A-003-PH0434①-	②	47	BCC W313-W313-30-300-TW0334①-	②	61
BCC M313-0000-10-001-PW3334①-	②	48	BCC W415-W414-3A-304-TW0434①-	②	61
BCC M323-0000-10-001-PW3334①-	②	48	BCC W425-W414-3A-304-TW0434①-	②	61
BCC M425-0000-1A-001-PW3334①-	②	48	BCC W415-W414-3A-650-TW0434①-	②	61
BCC M425-0000-1A-004-PW3334①-	②	48			
BCC M314-0000-10-003-PW3434①-	②	48			

BCC W425-W414-3A-650-TW0434①-__②	61	BPI AM3040-5K-B0-KPXPO①-__②	265
BCC W313-W313-30-300-MW8334①-__②	65	BPI 4M304P-5K-B0-KPXA0①-__②	265
BCC W323-W313-30-300-MW8334①-__②	65	BPI 6M304P-5K-B0-KPXEO①-__②	265
BCC W415-W414-3A-304-MW8434①-__②	65	BPI 8M304P-5K-B0-KPXKO①-__②	265
BCC W425-W414-3A-304-MW8434①-__②	65	BPI AM304P-5K-B0-KPXPO①-__②	265
BFO005F BFO D22-LA-AC-20	317	BPI 4M304N-5K-B0-KPXA0①-__②	265
BFO005J BFO D22-LA-BC-10	317	BPI 6M304N-5K-B0-KPXEO①-__②	265
BFO005L BFO D22-LA-CC-30	317	BPI 8M304N-5K-B0-KPXKO①-__②	265
BMF00J4 BMF 303-HW-116	491	BPI AM304N-5K-B0-KPXPO①-__②	265
BNI00C1 BNI IOL-760-002-E066	593	BPI 8M3030-5K-B0-SM4CT	269
BNI00C6 BNI IOL-730-002-E023	593	BPI AM3030-5K-B0-SM4CT	269
BNI00C7 BNI IOL-740-002-E023	593	BPI 8M303P-5K-B0-SM4CT	269
BNI00C8 BNI IOL-725-002-E023	593	BPI 8M303N-5K-B0-SM4CT	269
BNI00C9 BNI IOL-717-002-E023	593	BPI AM303N-5K-B0-SM4CT	269
BNI004C BNI IOL-722-000-K023	595	BPI 4M4A4P-2K-00-TP09	276
BNI004E BNI IOL-724-000-K023	595	BPI 8M4A4P-2K-00-TP0E	276
BNI004T BNI IOL-716-000-K023	595	BPI 4M4A5P-2K-00-TP0G	276
BNI004I BNI IOL-712-000-K023	593	BPI 8M4A5P-2K-00-TP0N	276
BNI0042 BNI IOL-714-000-K023	595	BPI T009-K-00-KPX70①-__②	276
BNI0073 BNI USB-901-013-A501	591	BPI T00E-K-00-KPXBO①-__②	276
BPI 4M3030-5K-B0-SM48T	267	BPI T00G-K-00-KPXBO①-__②	276
BPI 4M3030-5K-B0-SM4CT	267	BPI T00N-K-00-KPXLO①-__②	276
BPI 6M3030-5K-B0-SM48T	267	BPI T00G-K-00-KPXDO①-__②	276
BPI 6M3030-5K-B0-SM4CT	267	BPI T00N-K-00-KPXNO①-__②	276
BPI 4M303P-5K-B0-SM48T	267	SET011L BAV BP-PH-00064-01	397
BPI 4M303P-5K-B0-SM4CT	267	SET011M BAV BP-PH-00065-01	397
BPI 6M303P-5K-B0-SM48T	267	SET015A BAV BP-PH-00093-01	359
BPI 6M303P-5K-B0-SM4CT	267	SET015F BAV BP-PH-00093-02	361
BPI 4M303N-5K-B0-SM48T	267	SET016A BAV BP-PH-00101-02	359
BPI 4M303N-5K-B0-SM4CT	267	SET016C BAV BP-PH-00102-01	357
BPI 6M303N-5K-B0-SM48T	267	SET016E BAV BP-PH-00102-02	359
BPI 6M303N-5K-B0-SM4CT	267	SET017R BAV BP-PH-00093-11	361
BPI 4M3040-5K-B0-SM4CT	267	SET017T BAV BP-PH-00093-12	361
BPI 4M304P-5K-B0-SM4CT	267	SET017W BAV BP-PH-00100-12	357
BPI 4M304N-5K-B0-SM4CT	267	SET017Y BAV BP-PH-00101-11	359
BPI 4M4A40-2K-B0-KPX70①-__②	271	SET017Z BAV BP-PH-00101-12	359
BPI 8M4A40-2K-B0-KPXBO①-__②	271	SET0167 BAV BP-PH-00100-01	357
BPI 4M4A4P-2K-B0-KPX70①-__②	271	SET0168 BAV BP-PH-00100-02	357
BPI 8M4A4P-2K-B0-KPXBO①-__②	271	SET0169 BAV BP-PH-00101-01	359
BPI 4M4A4N-2K-B0-KPX70①-__②	271	SET0180 BAV BP-PH-00102-11	359
BPI 8M4A4N-2K-B0-KPXBO①-__②	271	SET0181 BAV BP-PH-00102-12	359
BPI 4M4A50-2K-B0-KPXBO①-__②	271		
BPI 8M4A50-2K-B0-KPXLO①-__②	271		
BPI 4M4A5P-2K-B0-KPXBO①-__②	271		
BPI 8M4A5P-2K-B0-KPXLO①-__②	271		
BPI 4M4A5N-2K-B0-KPXBO①-__②	271		
BPI 8M4A5N-2K-B0-KPXLO①-__②	271		
BPI 4M4A40-2K-B0-SM6CT	273		
BPI 8M4A40-2K-B0-SM6CT	273		
BPI 4M4A4P-2K-B0-SM6CT	273		
BPI 8M4A4P-2K-B0-SM6CT	273		
BPI 4M4A4N-2K-B0-SM6CT	273		
BPI 8M4A4N-2K-B0-SM6CT	273		
BPI 4M4A50-2K-B0-SM6LT	273		
BPI 8M4A50-2K-B0-SM6LT	273		
BPI 4M4A5P-2K-B0-SM6LT	273		
BPI 8M4A5P-2K-B0-SM6LT	273		
BPI 4M4A5N-2K-B0-SM6LT	273		
BPI 8M4A5N-2K-B0-SM6LT	273		
BPI 4M4A4P-2K-00-TPS9	275		
BPI 8M4A4P-2K-00-TPSE	275		
BPI 4M4A5P-2K-00-TPSG	275		
BPI 8M4A5P-2K-00-TPSN	275		
BPI 4M3030-5K-B0-KPX60①-__②	265		
BPI 6M3030-5K-B0-KPX80①-__②	265		
BPI 8M3030-5K-B0-KPXA0①-__②	265		
BPI AM3030-5K-B0-KPXC0①-__②	265		
BPI 4M303P-5K-B0-KPX60①-__②	265		
BPI 6M303P-5K-B0-KPX80①-__②	265		
BPI 8M303P-5K-B0-KPXA0①-__②	265		
BPI AM303P-5K-B0-KPXC0①-__②	265		
BPI 4M303N-5K-B0-KPX60①-__②	265		
BPI 6M303N-5K-B0-KPX80①-__②	265		
BPI 8M303N-5K-B0-KPXA0①-__②	265		
BPI AM303N-5K-B0-KPXC0①-__②	265		
BPI 4M3040-5K-B0-KPXA0①-__②	265		
BPI 6M3040-5K-B0-KPXEO①-__②	265		
BPI 8M3040-5K-B0-KPXKO①-__②	265		

Alphanumeric Index

SORTED BY PART NUMBER

BCC M313-0000-10-001- ①- ②	15	BCC M425-0000-1A-010- ①- ②	29
BCC M313-0000-20-001- ①- ②	15	BCC M415-0000-1A-014- ①- ②	29
BCC M323-0000-10-001- ①- ②	15	BCC M414-0000-2A-014- ①- ②	29
BCC M323-0000-20-001- ①- ②	15	BCC M425-0000-1A-014- ①- ②	29
BCC M313-0000-10-004- ①- ②	15	BCC M424-0000-2A-014- ①- ②	29
BCC M323-0000-10-004- ①- ②	15	BCC M314-M314-30-304- ①- ②	31
BCC M323-0000-10-006- ①- ②	15	BCC M314-M324-30-304- ①- ②	31
BCC M313-0000-10-036- ①- ②	15	BCC M314-M414-3E-304- ①- ②	31
BCC M323-0000-10-036- ①- ②	15	BCC M314-M424-3E-304- ①- ②	31
BCC M415-0000-1A-001- ①- ②	17	BCC M324-M314-30-304- ①- ②	33
BCC M413-0000-2A-001- ①- ②	17	BCC M324-M324-30-304- ①- ②	33
BCC M425-0000-1A-001- ①- ②	17	BCC M324-M414-3E-304- ①- ②	33
BCC M423-0000-2A-001- ①- ②	17	BCC M324-M424-3E-304- ①- ②	33
BCC M415-0000-1A-004- ①- ②	17	BCC M415-M314-3F-304- ①- ②	35
BCC M425-0000-1A-004- ①- ②	17	BCC M415-M324-3F-304- ①- ②	35
BCC M425-0000-1A-006- ①- ②	17	BCC M415-M414-3A-304- ①- ②	35
BCC M415-0000-1A-036- ①- ②	17	BCC M415-M424-3A-304- ①- ②	35
BCC M413-0000-2A-036- ①- ②	17	BCC M415-M414-3A-606- ①- ②	35
BCC M425-0000-1A-036- ①- ②	17	BCC M415-M414-3A-305-PS0434①- ②	35
BCC M423-0000-2A-036- ①- ②	17	BCC M425-M314-3F-304- ①- ②	37
BCC M415-0000-1A-002- ①- ②	17	BCC M425-M324-3F-304- ①- ②	37
BCC M413-0000-2A-002- ①- ②	17	BCC M425-M414-3A-304- ①- ②	37
BCC M425-0000-1A-002- ①- ②	17	BCC M425-M424-3A-304- ①- ②	37
BCC M415-0000-1A-005- ①- ②	17	BCC M425-M414-3A-606- ①- ②	37
BCC M425-0000-1A-005- ①- ②	17	BCC M415-0000-1A-017-PX0534①- ②	39
BCC M415-0000-1A-037- ①- ②	17	BCC M415-0000-2A-017-PX0534①- ②	39
BCC M413-0000-2A-037- ①- ②	17	BCC M425-0000-1A-017-PX0534①- ②	39
BCC M425-0000-1A-037- ①- ②	17	BCC M415-0000-1A-034-PX0534①- ②	39
BCC M313-M313-30-300- ①- ②	19	BCC M415-0000-2A-034-PX0534①- ②	39
BCC M313-M323-30-300- ①- ②	19	BCC M425-0000-1A-034-PX0534①- ②	39
BCC M313-M413-3E-300- ①- ②	19	BCC M425-0000-1A-039-PX0534①- ②	39
BCC M313-M423-3E-300- ①- ②	19	BCC M425-0000-1A-040-PX0534①- ②	39
BCC M323-M313-30-300- ①- ②	21	BCC M415-M415-3A-312-PX0534①- ②	41
BCC M323-M323-30-300- ①- ②	21	BCC M425-M415-3A-312-PX0534①- ②	41
BCC M323-M313-30-602- ①- ②	21	BCC M415-M415-3A-313-PX0534①- ②	41
BCC M323-M413-3E-300- ①- ②	21	BCC M425-M415-3A-313-PX0534①- ②	41
BCC M323-M423-3E-300- ①- ②	21	BCC M425-M415-3A-660-PX0534①- ②	41
BCC M323-M413-3E-602- ①- ②	21	BCC M425-M425-1A-660-PX0534①- ②	41
BCC M415-M313-3F-300- ①- ②	23	BCC M425-M415-3A-661-PX0534①- ②	41
BCC M415-M323-3F-300- ①- ②	23	BCC M425-M425-3A-661-PX0534①- ②	41
BCC M415-M413-3A-300- ①- ②	23	BCC M415-M415-3A-315-PS0534①- ②	41
BCC M415-M423-3A-300- ①- ②	23	BCC M418-0000-1A-044-PX0825①- ②	43
BCC M425-M313-3F-300- ①- ②	25	BCC M418-0000-2A-044-PX0825①- ②	43
BCC M425-M323-3F-300- ①- ②	25	BCC M428-0000-1A-044-PX0825①- ②	43
BCC M425-M413-3A-300- ①- ②	25	BCC M428-0000-2A-044-PX0825①- ②	43
BCC M425-M423-3A-300- ①- ②	25	BCC M418-M418-3A-342-PX0825①- ②	43
BCC M425-M313-3F-602- ①- ②	25	BCC M418-0000-1A-069-PX0825①- ②	43
BCC M425-M323-3F-602- ①- ②	25	BCC M428-0000-1A-069-PX0825①- ②	43
BCC M425-M413-3A-602- ①- ②	25	BCC M418-0000-1A-046-PS0825①- ②	43
BCC M314-0000-10-003- ①- ②	27	BCC M428-0000-1A-046-PS0825①- ②	43
BCC M314-0000-20-003- ①- ②	27	BCC M41C-0000-1A-049-PX0C25 ①- ②	45
BCC M324-0000-10-003- ①- ②	27	BCC M41C-0000-2A-049-PX0C25①- ②	45
BCC M324-0000-20-003- ①- ②	27	BCC M42C-0000-1A-049-PX0C25①- ②	45
BCC M324-0000-10-008- ①- ②	27	BCC M42C-0000-2A-049-PX0C25①- ②	45
BCC M314-0000-10-014- ①- ②	27	BCC M41C-M41C-3A-325-PX0C25①- ②	45
BCC M324-0000-10-014- ①- ②	27	BCC M415-0000-1A-001-PH0334①- ②	47
BCC M415-0000-1A-003- ①- ②	29	BCC M425-0000-1A-001-PH0334①- ②	47
BCC M414-0000-2A-003- ①- ②	29	BCC M415-0000-1A-003-PH0434①- ②	47
BCC M425-0000-1A-003- ①- ②	29	BCC M425-0000-1A-003-PH0434①- ②	47
BCC M424-0000-2A-003- ①- ②	29	BCC M313-0000-10-001-PW3334①- ②	48
BCC M415-0000-1A-008- ①- ②	29	BCC M323-0000-10-001-PW3334①- ②	48
BCC M425-0000-1A-008- ①- ②	29		
BCC M424-0000-2A-008- ①- ②	29		
BCC M415-0000-1A-010- ①- ②	29		

BCC M425-0000-1A-001-PW3334①-②	48	BCC VB03-0000-10-055-①-②	79	
BCC M425-0000-1A-004-PW3334①-②	48	BCC VB23-0000-10-055-①-②	79	
BCC M314-0000-10-003-PW3434①-②	48	BCC VB43-0000-10-055-①-②	79	
BCC M324-0000-10-003-PW3434①-②	48	BCC VB63-0000-10-055-①-②	79	
BCC M415-0000-1A-003-PW3434①-②	48	BCC VB03-M413-3E-666-PX0350①-②	81	
BCC M425-0000-1A-003-PW3434①-②	48	BCC VB23-M413-3E-666-PX0350①-②	81	
BCC M425-0000-1A-099-PW3434①-②	48	BCC VB43-M413-3E-666-PX0350①-②	81	
BCC M425-0000-1A-100-PW3534①-②	48	BCC VB63-M413-3E-666-PX0350①-②	81	
BCC M323-M413-3E-602-PW3334①-②	51	BCC VC04-0000-10-053-①-②	83	
BCC M425-M413-3A-602-PW3334①-②	51	BCC VC04-M413-3E-664-PX0350①-②	83	
BCC M415-M414-3A-304-PW3434①-②	51	BCC VC44-0000-10-053-①-②	83	
BCC M425-M414-3A-304-PW3434①-②	51	BCC VC44-M413-3E-664-PX0350①-②	83	
BCC M425-M414-3A-691-PW3434①-②	51	BCC M414-M414-6D-331-PS54N2①-②	85	
BCC M415-M415-3A-313-PW8334①-②	51	BCC M414-E834-8G-668-PS54N2①-②	85	
BCC M425-M415-3A-313-PW3534①-②	51	BCC E834-E834-90-334-PS54N2①-②	85	
BCC M425-M415-3A-692-PW3534①-②	51	BCC M414-M414-6D-338-ES64N9①-②	87	
BCC W313-0000-10-001-BW8334①-②	53	BCC M414-E894-8G-672-ES64N9①-②	87	
BCC W323-0000-10-001-BW8334①-②	53	BCC E894-E894-90-339-ES64N9①-②	87	
BCC W314-0000-10-003-BW8434①-②	53	BCC M418-M418-6X-378-PS58N9①-②	89	
BCC W324-0000-10-003-BW8434①-②	53	BCC M418-E818-8X0-723-PS58N9①-②	89	
BCC W415-0000-1A-003-BW8434①-②	53	BCC E818-E818-90-377-PS58N9①-②	89	
BCC W425-0000-1A-003-BW8434①-②	53	BCC M415-A315-3B-329-PS72N1①-②	91	
BCC W313-W313-30-300-BW8334①-②	55	BCC M415-M412-3B-329-PS72N1①-②	91	
BCC W415-W414-3A-304-BW8434①-②	55	BCC A315-A315-30-330-①-②	93	
BCC W425-W414-3A-304-BW8434①-②	55	BCC M415-M415-3A-330-①-②	93	
BCC W415-0000-1A-003-SW0434①-②	57	BCC A315-A315-30-330-①-②	93	
BCC W425-0000-1A-003-SW0434①-②	57	BCC M61C-0000-10-065-PX0BP4①-②	97	
BCC W415-W414-3A-304-SW0434①-②	57	BCC M62C-0000-10-065-PX0BP4①-②	97	
BCC W425-W414-3A-304-SW0434①-②	57	BCC M61L-0000-10-022-PX0LP4①-②	97	
BCC W415-W414-3A-650-SW0434①-②	57	BCC M62L-0000-10-022-PX0LP4①-②	97	
BCC W425-W414-3A-650-SW0434①-②	57	BCC0069	BKS-S 48-15-CP-02	99
BCC W313-0000-10-001-TW0334①-②	59	BCC006A	BKS-S 48-15-CP-05	99
BCC W323-0000-10-001-TW0334①-②	59	BCC006C	BKS-S 48-15-CP-10	99
BCC W314-0000-10-003-TW0434①-②	59	BCC0098	BKS-S137-19-PC-02	99
BCC W324-0000-10-003-TW0434①-②	59	BCC0099	BKS-S137-19-PC-05	99
BCC W415-0000-1A-003-TW0434①-②	59	BCC009A	BKS-S137-19-PC-10	99
BCC W425-0000-1A-003-TW0434①-②	59	BCC00ZN	BKS-S151-19-PC-02	101
BCC W313-W313-30-300-TW0334①-②	61	BCC00ZR	BKS-S151-19-PC-05	101
BCC W415-W414-3A-304-TW0434①-②	61	BCC00ZR	BKS-S151-19-PC-10	101
BCC W425-W414-3A-304-TW0434①-②	61	BCC00TU	BKS-S 32M-02	101
BCC W415-W414-3A-650-TW0434①-②	61	BCC00TY	BKS-S 32M-05	101
BCC W313-0000-10-001-MW8334①-②	63	BCC00TZ	BKS-S 32M-10	101
BCC W323-0000-10-001-MW8334①-②	63	BCC00UR	BKS-S 33M-02	103
BCC W314-0000-10-003-MW8434①-②	63	BCC00UU	BKS-S 33M-05	103
BCC W324-0000-10-003-MW8434①-②	63	BCC00UW	BKS-S 33M-10	103
BCC W415-0000-1A-003-MW8434①-②	63	BCC00YE	BKS-S115-PU-02	103
BCC W425-0000-1A-003-MW8434①-②	63	BCC00YF	BKS-S115-PU-05	103
BCC W313-W313-30-300-MW8334①-②	65	BCC00YH	BKS-S115-PU-10	103
BCC W323-W313-30-300-MW8334①-②	65	BCC0102	BKS-S232-PU-02	105
BCC W415-W414-3A-304-MW8434①-②	65	BCC0103	BKS-S232-PU-05	105
BCC W425-W414-3A-304-MW8434①-②	65	BCC0104	BKS-S232-PU-10	105
BCC A313-0000-10-097-PX03A5①-②	67	BCC010E	BKS-S233-PU-02	105
BCC A323-0000-10-097-PX03A5①-②	67	BCC010F	BKS-S233-PU-05	105
BCC A313-A313-30-365-PX03A5①-②	67	BCC010H	BKS-S233-PU-10	105
BCC A313-0000-10-071-VX43W6①-②	67	BCC0F4J	BCC HB75-0000-PA-121-VX85B5-020	107
BCC A313-0000-20-071-VX43W6①-②	67	BCC0F4K	BCC HB75-0000-PA-121-VX85B5-050	107
BCC A323-0000-10-071-VX43W6①-②	67	BCC0F4L	BCC HB75-0000-PA-121-VX85B5-100	107
BCC A323-0000-20-071-VX43W6①-②	67	BCC0KL6	BCC Z032-0000-10-148-VSOCT4-050	107
BCC A314-0000-10-003-①-②	69	BCC0KL7	BCC Z032-0000-10-148-VSOCT4-100	107
BCC A314-0000-20-003-①-②	69	BCC0KL8	BCC Z032-0000-10-148-VSOCT4-200	107
BCC A324-0000-10-003-①-②	69	BAM01HL	BIS U-500-EF-01	109
BCC A324-0000-20-003-①-②	69	BAM01HM	BIS U-500-EF-02	109
BCC A314-A314-30-304-①-②	71	BAM01YR	BIS U-500-EF-03	109
BCC A314-A324-30-304-①-②	71	BAM01HN	BIS U-500-EF-05	109
BCC A324-A314-30-304-①-②	71	BAM01HP	BIS U-500-EF-10	109
BCC A324-A324-30-304-①-②	71	BAM01WN	BIS U-500-EF-15	109
BCC A315-0000-10-063-①-②	73	BAM01WP	BIS U-500-EF-20	111
BCC A315-0000-20-063-①-②	73	BCC0F4W	BCC HA78-HA78-9D-334-PS54N2-020	111
BCC A325-0000-10-063-①-②	73	BCC0F4Y	BCC HA78-HA78-9D-334-PS54N2-050	111
BCC A325-0000-20-063-①-②	73	BCC0F4Z	BCC HA78-HA78-9D-334-PS54N2-100	111
BCC A315-A315-30-335-①-②	75	BCC0F52	BCC HA72-HA72-9A-371-PX52L2-020	111
BCC A315-A325-30-335-①-②	75	BCC0F53	BCC HA72-HA72-9A-371-PX52L2-050	111
BCC A325-A315-30-335-①-②	75	BCC0F54	BCC HA72-HA72-9A-371-PX52L2-100	113
BCC A325-A325-30-335-①-②	75			
BCC VA04-0000-10-054-①-②	77			
BCC VA04-0000-10-053-①-②	77			
BCC VA04-M413-3E-664-①-②	77			
BCC PA04-0000-10-070-PX0550①-②	77			
BCC PA24-0000-10-070-PX0550①-②	77			

624 | Alphanumeric Index | Sorted by part number

BCC00N2	BIS C-505-PU-05	113	BCC02HF	BKS-S216-RT14	181
BCC00N3	BIS C-505-PU-10	113	BCC0HLT	BCC M334-0000-20-000-13X425-000	181
BCC00N7	BIS C-506-PU-05	113	BCC0HLZ	BCC M334-0000-20-000-13X450-000	183
BCC00N8	BIS C-506-PU-10	113	BCC06Z7	BCC M334-0000-20-000-31X450-000	183
BCC0FCK	BCC M414-M414-6A-710-PS0434-003	113	BCC02HH	BKS-S218-RT14	183
BCC00R8	BIS Z-501-PU1-02/M	115	BCC06M4	BCC M434-0000-2A-000-41X475-000	183
BCC00R9	BIS Z-501-PU1-05/E	115	BCC08C0	BCC M434-0000-2A-000-43X434-000	185
BCC00RA	BIS Z-501-PU1-05/M	115	BCC0F9M	BCC M434-0000-2A-000-45X450-000	185
BCC00RC	BIS Z-501-PU1-10/E	115	BCC06F7	BCC M434-0000-2A-000-51X475-000	185
BCC088T	BCC M62C-M41C-3E-675-PX0C25-010	115	BCC06Y5	BCC M434-0000-2A-000-55X450-000	185
BCC088U	BCC M62C-M41C-3E-675-PX0C25-020	115	BCC0869	BCC M474-0000-2A-000-01X475-000	187
BCC088K	BCC M418-M41C-3A-674-PX0825-010	117	BCC02H9	BKS-S109-RT14	187
BCC088L	BCC M418-M41C-3A-674-PX0825-020	117	BCC06ZC	BCC M444-0000-2A-000-41X475-000	187
BCC0F4N	BCC HB75-HB75-NA-370-VX85B5-020	117	BCC06ZE	BCC M444-0000-2A-000-51X475-000	187
BCC0F4P	BCC HB75-HB75-NA-370-VX85B5-050	117	BCC02H7	BKS-S 77-RT04	189
BCC0F4R	BCC HB75-HB75-NA-370-VX85B5-100	117	BCC06Z9	BCC M435-0000-1A-000-41X475-000	189
BCC0CR2	BCC M415-U024-8F-696-VX04T8-018	117	BCC06ZF	BCC M435-0000-1A-000-41X575-000	189
BCC0KL9	BCC U0AA-U019-90-736-Z19004-010	119	BCC06ZY	BCC M435-0000-1A-000-43X434-000	189
BCC0KLA	BCC U0AA-U019-90-736-Z19004-030	119	BCC0F9N	BCC M435-0000-1A-000-45X450-000	191
BCC0KLC	BCC U0AA-U019-90-736-Z19004-050	119	BCC06F6	BCC M435-0000-1A-000-51X475-000	191
BCC M414-M313-M313-U2026-___②		151	BCC06W9	BCC M435-0000-1A-000-51X575-000	191
BCC M414-M415-M415-U2028-___②		151	BCC06Y6	BCC M435-0000-1A-000-55X450-000	191
BCC M414-M425-M425-U2028-___②		151	BCC09JP	BCC M435-0000-1A-000-A1X575-000	193
BCC M414-M313-M313-U2012-___②		151	BCC06ZM	BCC M475-0000-1A-000-01X475-000	193
BCC M414-M323-M323-U2012-___②		151	BCC06ZN	BCC M475-0000-1A-000-01X575-000	193
BCC M414-M415-M415-U2010-___②		151	BCC02H8	BKS-S107-RT14	193
BCC M414-M425-M425-U2010-___②		151	BCC06YA	BCC M435-0000-2A-000-41X575-000	195
BCC M414-M415-M415-U2002-___②		151	BCC06EY	BCC M435-0000-2A-000-51X575-000	195
BCC M414-M425-M425-U2002-___②		151	BCC09JW	BCC M435-0000-2A-000-A1X575-000	195
BCC M415-VA04-VA04-U2005-___②		153	BCC086A	BCC M475-0000-2A-000-01X575-000	195
BCC M415-VA04-VA04-U2004-___②		153	BCC06ZA	BCC M445-0000-1A-000-41X475-000	197
BCC VA04-VA04-M415-T4075-___②		153	BCC06ZH	BCC M445-0000-1A-000-41X575-000	197
BCC0AA5	BCC A313-A313-A313-T0021-000	159	BCC06Y8	BCC M445-0000-1A-000-51X475-000	197
BCC0AA6	BCC A314-A314-A314-T0022-000	159	BCC06ZJ	BCC M445-0000-1A-000-51X575-000	197
BCC0AA7	BCC A315-A315-A315-T0023-000	159	BCC02H6	BKS-S 76-RT04	199
BCC0F5C	BCC M314-M313-M313-U0056-000	159	BCC06ZK	BCC M445-0000-2A-000-41X575-000	199
BCC09JC	BCC M415-M313-M313-U0014-000	161	BCC06ZL	BCC M445-0000-2A-000-51X575-000	199
BCC089P	BCC M415-M415-M415-U0003-000	161	BCC0A03	BCC M438-0000-1A-000-51X850-000	199
BCC08CA	BCC M415-M415-M415-U0007-000	161	BCC04MC	BCC M478-0000-1A-000-43X834-000	201
BCC09MU	BCC M415-M415-M415-U0016-000	161	BCC0A04	BCC M438-0000-2A-000-51X850-000	201
BCC0AT9	BCC A333-0000-10-000-61X3A5-000	167	BCC0HAH	BCC M478-0000-2A-000-41X850-000	201
BCC0ATA	BCC A333-0000-10-000-71X3A5-000	167	BCC04ME	BCC M488-0000-1A-000-43X834-000	201
BCC0ATC	BCC A333-0000-20-000-61X3A5-000	167	BCC0KR4	BCC M488-0000-2A-000-01X850-000	203
BCC0ATE	BCC A333-0000-20-000-71X3A5-000	167	BCC0A05	BCC M43C-0000-1A-000-54XC25-000	203
BCC0706	BCC A334-0000-10-000-51X4A5-000	169	BCC0A06	BCC M43C-0000-2A-000-54XC25-000	203
BCC0707	BCC A334-0000-10-000-61X4A5-000	169	BCC0715	BCC M475-0000-1B-000-01X575-000	203
BCC0708	BCC A334-0000-10-000-71X4A5-000	169	BCC0714	BCC M475-0000-2B-000-01X575-000	205
BCC0709	BCC A334-0000-20-000-51X4A5-000	169	BCC0717	BCC M485-0000-1B-000-01X575-000	205
BCC070A	BCC A334-0000-20-000-61X4A5-000	171	BCC0716	BCC M485-0000-2B-000-01X575-000	205
BCC070C	BCC A334-0000-20-000-71X4A5-000	171	BCC03Y1	BCC M474-0000-1D-000-51X475-000	205
BCC070E	BCC A335-0000-10-000-51X5A5-000	171	BCC03WZ	BCC M474-0000-2D-000-51X475-000	207
BCC070F	BCC A335-0000-10-000-61X5A5-000	171	BCC03Y2	BCC M484-0000-1D-000-51X475-000	207
BCC070H	BCC A335-0000-10-000-71X5A5-000	173	BCC03Y0	BCC M484-0000-2D-000-51X475-000	207
BCC0OATH	BCC A335-0000-10-000-81X5A5-000	173	BCC0HTL	BCC M478-0000-2X-000-E3X8T2-000	207
BCC070J	BCC A335-0000-20-000-51X5A5-000	173	BCC00TT	BKS-S 32M-00	209
BCC070K	BCC A335-0000-20-000-61X5A5-000	173	BCC00UP	BKS-S 33M-00	209
BCC070L	BCC A335-0000-20-000-71X5A5-000	175	BCC06FH	BCC E834-0000-20-000-53X4T2-000	209
BCC0ATF	BCC A335-0000-20-000-81X5A5-000	175	BCC0A7M	BCC A353-A353-30-RN036-000	223
BCC0HLN	BCC M333-0000-10-000-13X325-000	175	BCC0723	BCC A354-A354-30-RN011-000	223
BCC0HLU	BCC M333-0000-10-000-13X350-000	175	BCC0A7N	BCC A355-A355-30-RN037-000	223
BCC09EU	BCC M333-0000-10-000-22X334-000	177	BCC06YP	BCC M454-M454-5D-RM002-000	223
BCC06Z1	BCC M333-0000-10-000-31X350-000	177	BCC085F	BCC M414-E814-BG-RM013-000	223
BCC02HC	BKS-S111-RT13	177	BCC085H	BCC M424-E814-BG-RM013-000	223
BCC0HLP	BCC M333-0000-20-000-13X325-000	177	BCC0E63	BCC A354-0000-10-RN010-006	229
BCC0HLW	BCC M333-0000-20-000-13X350-000	179	BCC0720	BCC A354-0000-10-RN010-020	229
BCC0E7N	BCC M333-0000-20-000-31X350-000-C027	179	BCC098M	BCC A355-0000-10-RN022-006	229
BCC02HE	BKS-S113-RT13	179	BCC098N	BCC A355-0000-10-RN022-020	229
BCC0HLR	BCC M334-0000-10-000-13X425-000	179	BCC0CU2	BCC A353-0000-10-RN057-006	229
BCC0HLY	BCC M334-0000-10-000-13X450-000	181			
BCC06Z5	BCC M334-0000-10-000-31X450-000	181			

BCC0CU3	BCC A353-0000-10-RN057-020	229	BCC09MR	BCC M415-0000-2A-R04	259
BCC0CU6	BCC A354-0000-10-RN059-006	229	BCC0C6E	BCC M415-0000-1B-R01	259
BCC0CU7	BCC A354-0000-10-RN059-020	229	BCC0718	BCC M415-0000-2B-R01	259
BCC0E64	BCC A354-0000-20-RN010-006	231	BCC0719	BCC M415-0000-2B-R02	259
BCC0722	BCC A354-0000-20-RN010-020	231	BPI 4M3030-5K-BO-KPX60①-__②	265	
BCC098P	BCC A355-0000-20-RN022-006	231	BPI 6M3030-5K-BO-KPX80①-__②	265	
BCC098R	BCC A355-0000-20-RN022-020	231	BPI 8M3030-5K-BO-KPX80①-__②	265	
BCC0CU4	BCC A353-0000-20-RN057-006	231	BPI AM3030-5K-BO-KPX60①-__②	265	
BCC0CU5	BCC A353-0000-20-RN057-020	231	BPI 4M303P-5K-BO-KPX60①-__②	265	
BCC0CU9	BCC A354-0000-20-RN059-006	231	BPI 6M303P-5K-BO-KPX80①-__②	265	
BCC0CUA	BCC A354-0000-20-RN059-020	231	BPI 8M303P-5K-BO-KPX80①-__②	265	
BCC0E4Y	BCC M353-0000-10-RM049-005	233	BPI AM303P-5K-BO-KPX60①-__②	265	
BCC0E4Z	BCC M353-0000-10-RM049-020	233	BPI 4M303N-5K-BO-KPX60①-__②	265	
BCC0E35	BCC M354-0000-10-RM050-005	233	BPI 6M303N-5K-BO-KPX80①-__②	265	
BCC0E38	BCC M354-0000-10-RM050-020	233	BPI 8M303N-5K-BO-KPX80①-__②	265	
BCC0E50	BCC M353-0000-20-RM049-005	233	BPI AM303N-5K-BO-KPX60①-__②	265	
BCC0E51	BCC M353-0000-20-RM049-020	233	BPI 4M3040-5K-BO-KPX60①-__②	265	
BCC0E2Z	BCC M354-0000-20-RM050-005	233	BPI 6M3040-5K-BO-KPX80①-__②	265	
BCC0E32	BCC M354-0000-20-RM050-020	233	BPI 8M3040-5K-BO-KPX80①-__②	265	
BCC09JZ	BCC M455-0000-1A-RM014-005	235	BPI AM3040-5K-BO-KPX60①-__②	265	
BCC0E54	BCC M455-0000-1A-RM014-020	235	BPI 4M304P-5K-BO-KPX80①-__②	265	
BCC099C	BCC M455-0000-1A-RM020-005	235	BPI 6M304P-5K-BO-KPX80①-__②	265	
BCC0CAE	BCC M455-0000-1A-RM020-020	235	BPI 8M304P-5K-BO-KPX80①-__②	265	
BCC0E55	BCC M458-0000-1A-RM015-005	235	BPI 4M304N-5K-BO-KPX60①-__②	265	
BCC0E56	BCC M458-0000-1A-RM015-020	235	BPI 6M304N-5K-BO-KPX80①-__②	265	
BCC0E59	BCC M45C-0000-1A-RM081-005	235	BPI 8M304N-5K-BO-KPX80①-__②	265	
BCC0E5A	BCC M45C-0000-1A-RM081-020	235	BPI AM304N-5K-BO-KPX60①-__②	265	
BCC0CZ0	BCC M454-0000-1A-RN060-006	237	BPI 4M3030-5K-BO-SM48T	267	
BCC0CZ1	BCC M454-0000-1A-RN060-020	237	BPI 4M3030-5K-BO-SM4CT	267	
BCC0CZ8	BCC M455-0000-1A-RN063-006	237	BPI 6M3030-5K-BO-SM48T	267	
BCC0CZ9	BCC M455-0000-1A-RN063-020	237	BPI 6M3030-5K-BO-SM4CT	267	
BCC0E1K	BCC M458-0000-1A-RN066-006	237	BPI 4M303P-5K-BO-SM48T	267	
BCC0E1L	BCC M458-0000-1A-RN066-020	237	BPI 4M303P-5K-BO-SM4CT	267	
BCC0CWL	BCC M454-0000-1A-RN053-006	237	BPI 6M303N-5K-BO-SM48T	267	
BCC0CWM	BCC M454-0000-1A-RN053-020	237	BPI 4M303N-5K-BO-SM4CT	267	
BCC0CZ6	BCC M455-0000-1A-RN054-006	239	BPI 6M3040-5K-BO-SM4CT	267	
BCC0CZ7	BCC M455-0000-1A-RN054-020	239	BPI 4M304N-5K-BO-SM4CT	267	
BCC0CYY	BCC M458-0000-1A-RN056-006	239	BPI 8M3030-5K-BO-SM4CT	269	
BCC0CYZ	BCC M458-0000-1A-RN056-020	239	BPI 8M303P-5K-BO-SM4CT	269	
BCC099A	BCC M454-0000-2A-RM020-005	239	BPI AM303P-5K-BO-SM4CT	269	
BCC0E53	BCC M454-0000-2A-RM020-020	239	BPI 8M303N-5K-BO-SM4CT	269	
BCC09K0	BCC M455-0000-2A-RM014-005	239	BPI AM303N-5K-BO-SM4CT	269	
BCC0E5F	BCC M455-0000-2A-RM014-020	239	BPI 4M4A40-2K-BO-KPX70①-__②	271	
BCC0E57	BCC M458-0000-2A-RM015-005	241	BPI 8M4A40-2K-BO-KPX80①-__②	271	
BCC0E58	BCC M458-0000-2A-RM015-020	241	BPI 4M4A4P-2K-BO-KPX70①-__②	271	
BCC0E5C	BCC M45C-0000-2A-RM081-005	241	BPI 8M4A4P-2K-BO-KPX80①-__②	271	
BCC0E5E	BCC M45C-0000-2A-RM081-020	241	BPI 4M4A4N-2K-BO-KPX70①-__②	271	
BCC0CZ4	BCC M454-0000-2A-RN060-006	241	BPI 8M4A4N-2K-BO-KPX80①-__②	271	
BCC0CZ5	BCC M454-0000-2A-RN060-020	241	BPI 4M4A50-2K-BO-KPX80①-__②	271	
BCC0CYR	BCC M455-0000-2A-RN063-006	241	BPI 8M4A50-2K-BO-KPXLO①-__②	271	
BCC0CYT	BCC M455-0000-2A-RN063-020	241	BPI 4M4A5P-2K-BO-KPX80①-__②	271	
BCC0E1M	BCC M458-0000-2A-RN066-006	243	BPI 8M4A5P-2K-BO-KPXLO①-__②	271	
BCC0CYK	BCC M458-0000-2A-RN066-020	243	BPI 4M4A5N-2K-BO-KPX80①-__②	271	
BCC0CZ2	BCC M454-0000-2A-RN053-006	243	BPI 8M4A5N-2K-BO-KPXLO①-__②	271	
BCC0CZ3	BCC M454-0000-2A-RN053-020	243	BPI 4M4A40-2K-BO-SM6CT	273	
BCC0CYN	BCC M455-0000-2A-RN054-006	243	BPI 8M4A40-2K-BO-SM6CT	273	
BCC0CYP	BCC M455-0000-2A-RN054-020	243	BPI 4M4A4P-2K-BO-SM6CT	273	
BCC0CYC	BCC M458-0000-2A-RN056-006	243	BPI 8M4A4P-2K-BO-SM6CT	273	
BCC0CYE	BCC M458-0000-2A-RN056-020	243	BPI 4M4A4N-2K-BO-SM6CT	273	
BCC0HKZ	BCC VA04-M415-3E-RA125-000	253	BPI 8M4A4N-2K-BO-SM6CT	273	
BCC0F47	BCC M313-M413-3E-RA101-000	253	BPI 4M4A50-2K-BO-SM6LT	273	
BCC0F2Y	BCC M314-M414-3E-RA102-000	253	BPI 8M4A50-2K-BO-SM6LT	273	
BCC0F2T	BCC M415-M313-3F-RA101-000	253	BPI 4M4A4P-2K-00-TPS9	275	
BCC0F2U	BCC M415-M314-3F-RA102-000	253	BPI 8M4A4P-2K-00-TPSE	275	
BCC06Y4	BCC M415-0000-2A-R03	259	BPI 4M4A5P-2K-00-TPSG	275	
BCC0A0A	BCC A315-0000-1A-R04	259	BPI 8M4A5P-2K-00-TPSN	275	
BCC0A09	BCC A315-0000-2A-R04	259	BPI 4M4A4P-2K-00-TPOE	276	
BCC0A08	BCC M415-0000-1A-R04	259	BPI 8M4A4P-2K-00-TPOG	276	
			BPI 4M4A5P-2K-00-TPON	276	

BPI T009-K-00-KPX70①-__②	276	BAM029R	BAM LS-VS-004-C2/3-0614-2	321
BPI T00E-K-00-KPX80①-__②	276	BAM02FA	BAM LS-VS-004-C2/3-0814-2	321
BPI T00G-K-00-KPX90①-__②	276	BAM02FC	BAM LS-VS-004-C2/3-1214-2	321
BPI T00N-K-00-KPXLO①-__②	276	BAM02FE	BAM LS-VS-004-C2/3-1614-2	321
BPI T00G-K-00-KPXD0①-__②	276	BAM02FF	BAM LS-VS-004-C2/3-2514-2	321
BPI T00N-K-00-KPXN0①-__②	276	BAM02FH	BAM LS-VS-004-C2/3-3514-2	323
BAM01CF	299	BAM02FJ	BAM LS-VS-004-C2/3-5014-2	323
BAM01HF	299	BAM02Y3	BAM LS-VS-004-C2/3-7532-2	323
BAM00UM	299	BAM0364	BAM LS-VS-006-C2/3-0814-5	323
BAM00UY	299	BAM0365	BAM LS-VS-006-C2/3-1214-5	323
BAM01H9	299	BAM0366	BAM LS-VS-006-C2/3-1614-5	323
BAM023T	299	BAM0366	BAM LS-VS-006-C2/3-1614-5	323
BAM023U	299	BAM0367	BAM LS-VS-006-C2/3-2514-5	323
BAM00UN	299	BAM0368	BAM LS-VS-006-C2/3-3514-5	323
BAM00UT	301	BAM0369	BAM LS-VS-006-C2/3-5014-5	325
BAM01H7	301	BAM035R	BAM LS-VS-007-C1/1-0818-C	325
BAM01HA	301	BAM035T	BAM LS-VS-007-C1/1-1618-C	325
BAM01HC	301	BAM035U	BAM LS-VS-007-C1/1-2518-C	325
BAM0333	301	BAM035W	BAM LS-VS-007-C1/1-5018-C	325
BAM00W6	301	BAM02MT	BAM SP-X0-002-0,5-40-31-A	325
BAM00W9	301	BAM01A7	BAM OF-VS-001-D-RX100	325
BAM01JM	301	BAM02FR	BAM OF-VS-002-BU-27	325
BAM00WC	303	BAM02FZ	BAM OF-VS-002-BU-30	327
BAM00WE	303	BAM02FP	BAM OF-VS-002-GN-27	327
BAM02R3	303	BAM02FY	BAM OF-VS-002-GN-30	327
BAM00WF	303	BAM02MN	BAM OF-VS-002-IR-27	327
BAM00WH	303	BAM02MP	BAM OF-VS-002-IR-30	327
BAM00WJ	303	BAM02MR	BAM OF-VS-002-IR-40	327
BAM00WK	303	BAM02FK	BAM OF-VS-002-PL-27	327
BAM0330	303	BAM02FT	BAM OF-VS-002-PL-30	327
BAM0331	305	BAM02H0	BAM OF-VS-002-PL-40	329
BAM0332	305	BAM02FM	BAM OF-VS-002-RD-27	329
BAM00UL	305	BAM02FW	BAM OF-VS-002-RD-30	329
BAM00W7	305	BAM02FL	BAM OF-VS-002-UV-27	329
BAM00W8	305	BAM02FU	BAM OF-VS-002-UV-30	329
BAM01CM	305	BAM02H1	BAM OF-VS-002-UV-40	329
BAM01HE	305	BAM02FN	BAM OF-VS-002-YE-27	329
BAM01JP	305	BAM01U2	BAM LS-FO-002-F	329
BAM01JN	307	BAM020P	BAM LS-FO-003-M6-L	331
BAM01LA	307	BAM030N	BAM LS-FO-005-U1-22	331
BAM01NH	307	BAM00NN	BFO 02-PK-1	331
BAM00WA	307	BAM00NR	BFO 04-FL-1	331
BAM00WL	307	BAM00NT	BFO 04-FL-2	331
BAM00UK	307	BAM00NW	BFO 04-PK-1	331
BAM0126	307	BAM0120	BKT M-PK-1	331
BAM00UP	307	BAM0121	BKT M-PK-2	331
BAM00UR	309	BAM0122	BKT M-PK-3	333
BAM00UW	309	BAM00P2	BKT M-PK-4	333
BAM00W4	309	BAM00P3	BKT M-PK-5	333
BAM01H6	309	BAM00NP	BFO 02-UK-1	333
BAM00NM	317	BAM00RO	BOS 12-WS-1	333
BAM000J	317	BAM00R1	BOS 12-WS-2	333
BAM00P1	317	BAM00RP	BOS 18-UK-1	333
BFO005F	317	BAM00RR	BOS 18-UK-10	333
BFO005J	317	BAM00RT	BOS 18-UK-2	335
BFO005L	317	BAM00RU	BOS 18-WS-1	335
BAM00PW	317	BAM01ET	BAM AP-US-001-M12-0	335
BAM00R6	317	BAM01YU	BAM AP-US-004-R06-Y	335
BAM00R7	319	BAM01HJ	BAM AP-US-002-M18-0	335
BAM00TU	319	BAM01EP	BAM BD-US-001-D20-4	335
BAM00TW	319	BAM01ER	BAM BD-US-001-D32-4	335
BAM00TY	319	BAM0183	BKS-PW-26/20-SI-TR-03,5	349
BAM00TZ	319	BAM0182	BKS-PW-51/30-SI-TR-11	349
BAM00U0	319	BAM021E	BAM PT-XA-005-260-T-R20	349
BAM00U1	319	BAM021F	BAM PT-XA-005-510-T-R20	349
BAM00U2	319	BAM02E3	BAM PT-XA-006-M91-T-00,9	349
BAM00U3	321	BAM01L4	BAM PT-XA-001-095-0-05	349
BAM00U4	321	BAM022Z	BAM PT-XA-002-100-2-R15	349
BAM02PM	321	BAM0230	BAM PT-XA-002-130-2-R15	349

BAM01R2	BAM PT-XA-002-127-2-30	349	BAM012P	BKS-23-CS-00	369
BAM0231	BAM PT-XA-002-190-2-R15	349	BAM02R8	BAM PC-XE-028-M30-9	369
BAM01UY	BAM PT-XA-002-190-2-30	349	BAM00HJ	BES 30-SM-1	369
BAM0232	BAM PT-XA-002-380-2-R15	349	BAM00HK	BES 30-SM-2	369
BAM0233	BAM PT-XA-002-500-2-R15	349	BAM00HL	BES 30-SM-3	371
BAM017E	BKS-PT-07/16-SI-15	349	BAM00HM	BES 30-SM-5	371
BAM0212	BAM PT-XA-004-070-T-R16	349	BAM00JL	BES 36-SM-2	371
BAM017H	BKS-PT-10/16-SI-15	349	BAM02TU	BAM CS-XA-001-M12-2	371
BAM0213	BAM PT-XA-004-100-T-R16	351	BAM029N	BAM AN-AM-001-01-1	377
BAM017L	BKS-PT-13/16-SI-15	351	BAM00PY	BOS 12-LT-1	377
BAM0214	BAM PT-XA-004-130-T-R16	351	BAM00R9	BOS 18-LT-1	377
BAM017N	BKS-PT-16/16-SI-15	351	BAM021R	BAM PC-XA-016-001-A	377
BAM0215	BAM PT-XA-004-160-T-R16	351	BAM01LE	BAM CS-XA-004-U7/8-A	377
BAM0216	BAM PT-XA-004-190-T-R16	351	BAM01LF	BAM CS-XA-005-U7/8-A	377
BAM017R	BKS-PT-19/16-SI-15	351	BAM01YN	BAM CS-XA-008-M12-4	377
BAM017U	BKS-PT-38/16-SI-07.5	351	BAM02WF	BAM PC-XE-034-Q40-1	377
BAM017Z	BKS-PT-50/16-SI-07.5	351	BAM01LJ	BAM PC-US-007-M18-2/W	377
BAM0217	BAM PT-XA-004-500-T-R16	351	BAM024W	BAM PC-VS-017-1	377
BAM02JE	BES 08-FA-17	355	BAM02NA	BAM PC-VS-023-1	377
BAM009L	BES 08-FA-49	355	BAM02W0	BAM PC-VS-023-1-01	377
BAM009M	BES 08-FA-89	355	BAM029L	BAM PC-OS-024-23K-1	379
BAM00AZ	BES 12-FA-70	355	BAM029E	BAM PC-OS-024-23K-G/RK	379
BAM009N	BES 08-FA-BS-4,0-G	355	BAM029M	BAM PC-OS-025-23K-1	379
BAM009P	BES 08-FA-BS-4,0-W	355	BAM029K	BAM PC-OS-026-23K-1	379
BAM009R	BES 08-FA-BS-8,0-G	355	BAM029C	BAM PC-OS-024-50K-1	379
BAM009T	BES 08-FA-BS-8,0-W	355	BAM029H	BAM PC-OS-024-50K-G/RK	379
BAM01AZ	BAM FS-XE-001-M5-4	357	BAM029F	BAM PC-OS-025-23K-M/RK	379
BAM019Y	BAM FS-XE-003-M5-4	357	BAM02H4	BAM PC-OS-025-50K-1	379
BAM019W	BAM FS-XE-004-M8-4	357	BAM029J	BAM PC-OS-025-50K-G/RK	379
BAM01C0	BAM FS-XE-002-D4-4	357	BAM029P	BAM PC-OS-026-50K-1	379
SET0167	BAV BP-PH-00100-01	357	BAM01RR	BAM PC-VS-008-1	379
SET0168	BAV BP-PH-00100-02	357	BAM01Y5	BAM PC-XO-005-08M-4	379
SET017W	BAV BP-PH-00100-12	357	BAM01Y6	BAM PC-XO-005-12M-4	381
SET016C	BAV BP-PH-00102-01	357	BAM01NC	BAM PC-XO-005-18M-4	381
SET016E	BAV BP-PH-00102-02	359	BAM00RL	BOS 18-SM-1	381
SET0180	BAV BP-PH-00102-11	359	BAM01L8	BAM PC-XO-006-23K-1	381
SET0181	BAV BP-PH-00102-12	359	BAM01YL	BAM PC-XO-006-23K-G/RK	381
SET0169	BAV BP-PH-00101-01	359	BAM01C1	BAM CS-XA-001-M8-C	381
SET016A	BAV BP-PH-00101-02	359	BAM01C2	BAM CS-XA-002-M12-A	381
SET017Y	BAV BP-PH-00101-11	359	BAM0114	BKS-12-CS-01	381
SET017Z	BAV BP-PH-00101-12	359	BAM0115	BKS-12-CS-02	381
SET015A	BAV BP-PH-00093-01	359	BAM012T	BKS-7/8-CS-00-A	381
SET015F	BAV BP-PH-00093-02	361	BAM0206	BAM FK-VS-002-03-1	387
SET017R	BAV BP-PH-00093-11	361	BAM01Z5	BAM FK-CC-005-M08-A	387
SET017T	BAV BP-PH-00093-12	361	BAM01Z4	BAM FK-CC-005-M12-A	387
BAM031N	BAM FS-XE-005-M8/RK6	361	BAM032U	BAM IA-MS-030-A5	541
BAM025T	BAM TG-AM-015-001	361	BAM01JT	BAM IA-XA-003-4X5-Y	541
BAM02YU	BAM TG-AM-015-006	361	BAM032W	BAM IA-XA-023-01	541
BAM02JW	BAM TG-AM-015-004	361	BAE00EF	BTL7-A-CB02-K	541
BAM02JY	BAM TG-AM-015-005	361	BAE00E1	BTL7-A-CB02-S115	541
BAM02JU	BAM TG-AM-015-003	363	BAE00EC	BTL7-A-CB02-S32	541
BAM027T	BAM TG-AM-015-002	363	BAM01HJ	BAM AP-US-002-M18-0	541
BAM0260	BAM FS-XE-005-M8-2-01T	363	BAM0270	BAM TG-ID-016-A01	541
BAM025U	BAM FS-XE-005-M8-2-01P	363	BAM0271	BAM TG-ID-016-H01	541
BAM025W	BAM FS-XE-005-M8-2-01F	363	BAM0272	BAM TG-ID-016-H02	541
BAM022W	BAM FS-XE-005-M8-2-01R	363	SET011L	BAV BP-PH-00064-01	397
BAM02R5	BAM PC-XE-028-M8-9	369	SET011M	BAV BP-PH-00065-01	397
BAM009Z	BES 08-SM-1	369	BAM033K	BMS AD-M-004-X19/MIS-D	397
BAM00A0	BES 08-SM-1F	369	BAM024R	BMS CCJ-M-D12-B-01	397
BAM02KM	BAM CS-XA-001-M12-5	369	BAM024P	BMS CU-M-D12-B028-00	397
BAM02R6	BAM PC-XE-028-M12-9	369	BAM0275	BMS CU-M-D12-B040-00	397
BAM00C2	BES 12-SM-2	369	BAM02JT	BMS CU-M-D12-B040-02	397
BAM00EP	BES 16-SM-2	369	BAM033U	BMS CU-M-D30-E040-00	397
BAM02R7	BAM PC-XE-028-M18-9	369	BAM002J	BMS CU-P-D12-A040-00	397
BAM00EZ	BES 18-SM-1	369	BAM034K	BMS CUJ-M-D30-E057-00	397
BAM00F0	BES 18-SM-2	369	BAM034L	BMS CUJ-M-D30-E060-01	397
BAM00F1	BES 18-SM-3	369	BAM002Y	BMS CUJ-P-D12-R040-00	397
BAM00H8	BES 22-SM-2	369	BAM0044	BMS CU-M-D12-I060-01	397

628 | Alphanumeric Index | Sorted by part number

BAM01CH	BMS CU-M-D12-I060-02	397	BAM0318	BAM MC-XA-023-D08,0-2-FXL/W	419
BAM032T	BAM IA-XA-031-200-R	397	BAM0310	BAM MC-XA-023-D08,0-4-FS/W	419
BAM0031	BMS CS-M-D12-IZ	397	BAM00AE	BES 08,0-KH-2L	419
BAM003Y	BMS CS-M-D12-IZ-01	399	BAM00AH	BES 08,0-KH-2S	419
BAM035N	BMS CS-M-D12-IZ-02	399	BAM00AK	BES 08,0-KH-2S/W	419
BAM01Z7	BMS CS-M-D14-IZ	399	BAM00AL	BES 08,0-KH-3L	419
BAM01Z8	BMS CS-M-D14-IZ-01	399	BAM00AR	BES 08,0-KH-6S	419
BAM035A	BMS CS-M-D30-BZ-03	399	BAM01UT	BAM MC-XA-020-D12,0-2-FS/W	419
BAM002Z	BMS CC-M-D12-B-00	399	BAM0247	BAM MC-XA-023-D12,0-2-FM/W	419
BAM035P	BMS CC-M-D12-B-03	399	BAM0246	BAM MC-XA-023-D12,0-2-FS	419
BAM033W	BMS CC-M-D30-E-00	399	BAM024E	BAM MC-XA-024-D12,0-2-FM/W	419
BAM033Y	BMS CC-M-D30-E-01	399	BAM024F	BAM MC-XA-024-D12,0-2-FXL/W	419
BAM003U	BMS CC-P-D10-A-00	399	BAM00CY	BES 12,0-KH-2L	419
BAM002M	BMS CC-P-D12-A-00	399	BAM00CZ	BES 12,0-KH-2L/W	419
BAM01CW	BMS CS-M-D12-BX08-07	399	BAM00E0	BES 12,0-KH-2S	421
BAM0343	BMS CSJ-M-D30-EX19-02	399	BAM00E1	BES 12,0-KH-2S/W	421
BAM003T	BMS CASE-01	399	BAM00E2	BES 12,0-KH-3L	421
BAM003W	BMS KIT-V1	399	BAM022L	BAM MC-XA-023-D18,0-2-FL	421
BAM021Y	BMS RS-M-D12-0100-00	399	BAM022K	BAM MC-XA-023-D18,0-2-FS	421
BAM002R	BMS RS-M-D12-0150-00	401	BAM022M	BAM MC-XA-024-D18,0-2-FM/W	421
BAM021T	BMS RS-M-D12-0200-00	401	BAM00FN	BES 18,0-KH-2L	421
BAM002T	BMS RS-M-D12-0250-00	401	BAM00FP	BES 18,0-KH-2L/W	421
BAM021W	BMS RS-M-D12-0300-00	401	BAM00FR	BES 18,0-KH-2M	421
BAM021U	BMS RS-M-D12-0750-00	401	BAM00FT	BES 18,0-KH-2S	421
BAM002U	BMS RS-M-D12-1000-00	401	BAM00FW	BES 18,0-KH-2S/W	421
BAM033Z	BMS RS-M-D30-0300-01	401	BAM00FY	BES 18,0-KH-3L	421
BAM0340	BMS RS-M-D30-0500-01	401	BAM0264	BAM MC-XA-023-D30,0-2-FS	421
BAM0341	BMS RS-M-D30-1000-01	401	BAM0265	BAM MC-XA-023-D30,0-2-FXL	421
BAM0045	BMS RS-S-D12-0150-00	401	BAM024C	BAM MC-XA-023-D30,0-2-FXL/W	421
BAM0046	BMS RS-S-D12-0300-00	401	BAM024H	BAM MC-XA-024-D30,0-2-FM/W	421
BAM003J	BMS AD-M-003-D12/IZ	401	BAM00J4	BES 30,0-KH-2L	423
BAM0041	BMS CZ-M-D12-I-001	401	BAM00J5	BES 30,0-KH-2L/W	423
BAM003A	BMS BS-M-D12-0250-01	401	BAM00J6	BES 30,0-KH-2S	423
BAM033T	BMS BS-M-D12-0250-05	401	BAM00J7	BES 30,0-KH-2S/W	423
BAM0035	BMS CR-M-D12-IS-03	401	BAM02P1	BAM MC-CS-043-R08-R-01	429
BAM0042	BMS CR-M-D12-IS-04	403	BAM02P2	BAM MC-CS-043-R08-R-02	429
BAM0034	BMS CR-M-D12-IU-02	403	BAM037T	BAM MC-XA-054-D02,0-4	429
BAM003N	BMS CR-M-D12-IU-05	403	BAM000T	BAM MC-XA-002-D03,0-2	429
BAM002L	BMS CR-P-D12-AU-00	403	BAM037U	BAM MC-XA-054-D03,0-4	429
BAM0278	BAM MB-XA-019-B11-4	403	BAM000U	BAM MC-XA-002-D04,0-2	429
BAM0039	BMS BS-M-D12-0250-02	403	BAM037W	BAM MC-XA-054-D04,0-4	429
BAM003F	BMS BS-M-D12-0250-03	403	BAM037Y	BAM MC-XA-054-D05,0-4	429
BAM003H	BMS BS-M-D12-0400-04	403	BAM000W	BAM MC-XA-002-D06,5-2	429
BAM0043	BMS CS-M-D12-B21K-04	405	BAM000Y	BAM MC-XA-002-D08,0-2	429
BAM01AW	BMS CS-M-D12-B23K-05	405	BAM0349	BAM MC-XA-049-D18,0-5	429
BAM003C	BMS CS-M-D12-BX05-02	405	BAM034A	BAM MC-XA-049-D30,0-5	429
BAM0040	BMS CS-M-D12-BX06-03	405	BAM009A	BES 06,5-BS-1	433
BAM01AY	BMS CS-M-D12-BX07-06	405	BAM0269	BAM MC-XA-027-D08,0-1	433
BAM01F3	BMS CS-M-D12-BX10-08	405	BAM00A2	BES 08,0-BS-1	433
BAM01F2	BMS CS-M-D12-BX11-09	405	BAM0218	BAM MC-XA-027-D12,0-1	433
BAM0277	BMS CS-M-D12-BX17-11	405	BAM00C4	BES 12,0-BS-1	433
BAM024T	BMS CS-M-D12-BZ	407	BAM00EM	BES 14,5-BS-1	433
BAM0036	BMS CS-M-D12-ID08-01	407	BAM00ET	BES 16,0-BS-1	433
BAM0037	BMS CS-M-D12-ID12-01	407	BAM0219	BAM MC-XA-027-D18,0-1	433
BAM003K	BMS CS-M-D12-ID16-01	407	BAM00F2	BES 18,0-BS-1	433
BAM0032	BMS CS-M-D12-ID18-01	407	BAM00F3	BES 18,0-BS-2	433
BAM003L	BMS CS-M-D12-ID24-01	407	BAM0327	BAM MC-XA-027-D20,0-1	433
BAM0033	BMS CS-M-D12-ID30-01	407	BAM0377	BAM MC-XA-053-D20,0-1	433
BAM003M	BMS CS-M-D12-ID36-01	407	BAM00H7	BES 20,0-BS-1	433
BAM003P	BMS CS-M-D12-IQ40-02	407	BAM00H9	BES 22,0-BS-1	433
BAM003R	BMS CS-M-D12-IQ40-03	407	BAM01U0	BAM MC-XA-017-D30,0-1	433
BAM01J2	BMS CS-M-D12-IX09-01	407	BAM00HN	BES 30,0-BS-1	433
BAM01UL	BMS CS-M-D12-IX14-01	407	BAM035Y	BAM FS-AM-011-D45,0-4	435
BAM002K	BMS CS-P-D12-AD08-00	407	BAM0379	BAM MC-XA-050-D45,0-1	435
BAM002N	BMS CS-P-D12-AD12-00	407	BAM0360	BAM MC-XE-051-D45,0-3	435
BAM002P	BMS CS-P-D12-AD18-00	407	BAM035Z	BAM MC-XE-052-D45,0-1	435
BAM0099	BES 05,0-KH-2S	419	BAM00P0	BFO 08,0-KB-1	435
BAM0313	BAM MC-XA-023-D08,0-2-FS	419	BAM02WA	BAM MB-XE-031-Q40-A	435

BAM034N	BAM MB-XE-031-Q40-A-01	435	BAM02P7	BAM MB-VS-026-B14-1	457
BAM01TM	BAM MC-XA-016-Q40-1	435	BAM01AE	BAM MB-XA-002-B02-1	457
BAM026J	BAM MC-XA-032-Q40-1	435	BAM027R	BAM MB-XA-018-B11-4	457
BAM00JW	BES Q40-HW-1	435	BAM02ML	BAM MC-XA-042-D20,0-1	457
BAM00JY	BES Q40-HW-2	435	BAM0127	BIS C-122-AD-1	461
BAM00JZ	BES Q40-HW-3	435	BAM0128	BIS C-122-AD-2	461
BAM00K3	BES R04-MF-01	435	BAM01LW	BIS Z-SP-003	461
BAM02Y5	BAM MB-XA-029-D30,0-5	435	BAM020R	BIS Z-SP-004	461
BAM02Y4	BAM MB-XA-030-D30,0-5	435	BAM01MY	BAM MB-XA-010-B07-4	461
BAM0158	BES 516-MB-08	435	BAM02PN	BAM MB-XA-027-B15-4	461
BAM0159	BES 516-MB-12	437	BAM01Y3	BAM MC-XA-018-B04-4	461
BAM015A	BES 516-MB-18	437	BAM012E	BIS C-108-MF-01	461
BAM015C	BES 516-MB-30	437	BAM012H	BIS L-203-ZH1	461
BAM0092	BES 03,0-KB-3	437	BAM012L	BIS Z-HW-001	461
BAM0094	BES 04,0-KB-1	437	BAM01FT	BIS Z-HW-002	461
BAM0095	BES 04,0-KB-3	437	BAM01JK	BIS Z-HW-003	461
BAM0097	BES 05,0-KB-1	437	BAM01KN	BIS Z-HW-004	461
BAM0098	BES 05,0-KB-3	437	BAM0336	BIS Z-HW-008	461
BAM009C	BES 06,5-KB-1	437	BAM0337	BIS Z-HW-009	461
BAM009E	BES 06,5-KB-3	437	BAM012M	BIS Z-MP-001	461
BAM009F	BES 06,5-KB-7	437	BAM012N	BIS Z-ZA-001	463
BAM00A4	BES 08,0-KB-10/W	437	BAM012A	BIS C-300-HG1	463
BAM00A5	BES 08,0-KB-3	437	BAM012J	BIS Z-HG-002	463
BAM00A6	BES 08,0-KB-3-F	437	BAM012K	BIS Z-HG-003	463
BAM00AA	BES 08,0-KB-7	437	BAM02NM	BAM BD-LG-003-0900	469
BAM00AW	BES 08,1-KB-4-F	437	BAM02NN	BAM BD-LG-003-1200	469
BAM00C6	BES 12,0-KB-10/W	439	BAM02NP	BAM BD-LG-003-1650	469
BAM00C7	BES 12,0-KB-2	439	BAM02NR	BAM BD-LG-003-1900	469
BAM00C9	BES 12,0-KB-3	439	BAM02N6	BAM IA-XA-017-01	469
BAM00CA	BES 12,0-KB-3-F	439	BAM02N7	BAM IA-XA-017-02	469
BAM00CF	BES 12,0-KB-4-F	439	BAM02NC	BAM MB-LG-023-B13-3	469
BAM00EK	BES 12,0-KB-9S	439	BAM02NE	BAM MB-LG-024-0600-1	469
BAM01KM	BOS 12,0-KB-1	439	BAM02NF	BAM MB-LG-024-1000-1	469
BAM00F5	BES 18,0-KB-10/W	439	BAM02NH	BAM MB-LG-024-1200-1	469
BAM00F7	BES 18,0-KB-3	439	BAM02NJ	BAM MB-LG-024-1650-1	469
BAM00F8	BES 18,0-KB-3-F	439	BAM02NK	BAM MB-LG-024-1900-1	469
BAM00FC	BES 18,0-KB-4-F	439	BAM02N2	BAM MC-LG-036-T01-3	469
BAM00FE	BES 18,0-KB-5-F	439	BAM02MZ	BAM MC-LG-037-B07-3	469
BAM00T3	BOS 18,0-KB-1	439	BAM02N0	BAM MC-LG-038-B07-01-3	469
BAM00HR	BES 30,0-KB-10/W	439	BAM02N1	BAM MC-LG-038-B07-02-3	469
BAM00HU	BES 30,0-KB-3-F	439	BAM02N3	BAM MC-LG-040-B08-3	471
BAM00HW	BES 30,0-KB-4-F	439	BAM02N5	BAM MC-LG-041-B07-3-L	471
BAM00HY	BES 30,0-KB-5-F	441	BAM02N4	BAM MC-LG-041-B07-3-S	471
BAM00TN	BOS 30,0-KB-1	441	BAM02P9	BAM TO-LG-011-14	471
BAM02UE	BAM MC-XA-014-Q08-2	441	BAM02PA	BAM TO-LG-011-30	471
BAM00NJ	BES Q08-KH-2	441	BAM02HE	BAM MB-XA-021-B12-4	477
BAM01AU	BES Q08-KH-3	441	BAM02HF	BAM MB-XA-022-B12-4	477
BAM009U	BES 08-HW-1	441	BAM02UY	BAM MB-XO-028-B37-3	477
BAM00C0	BES 12-HW-1	441	BAM00P8	BOD 63-SH-3	477
BAM00EY	BES 18-HW-1	441	BAM037F	BMS AD-M-005-D12/X01	477
BAM00HH	BES 30-HW-1	441	BAM037H	BMS AD-M-005-D12/X02	477
BAM0255	BAM MB-NI-016-800-1	453	BAM037R	BMS AD-M-005-D12/X03	477
BAM026K	BAM MB-NI-017-100-1	453	BAM00PT	BOS 11-HW-1	477
BAM034C	BAM MB-NI-017-250-1	453	BAM00RY	BOS 18,0-HW-1	477
BAM026L	BAM MB-NI-017-400-1	453	BAM00T0	BOS 18,0-HW-3	477
BAM02M5	BAM MB-XA-025-D19,0-1	453	BAM00T2	BOS 18,0-HW-6	477
BAM02J9	BAM MD-VS-002-0002	457	BAM01YW	BAM MB-XA-013-Q08-4	477
BAM02JA	BAM MD-VS-002-0003	457	BAM00T4	BOS 2-HW-1	477
BAM02JC	BAM MD-VS-002-0004	457	BAM00T5	BOS 2-HW-2	477
BAM02Y8	BAM MD-VS-002-0005	457	BAM00T6	BOS 2-HW-3	477
BAM02Y9	BAM MD-VS-002-0006	457	BAM00U5	BOS 5-HW-1	477
BAM02ZW	BAM MB-MS-038-B19-1	457	BAM00U6	BOS 5-HW-2	479
BAM01AC	BAM MB-XA-003-B03-1	457	BAM00U7	BOS 5-HW-3	479
BAM01TK	BMS CS-M-D12-IX13-01	457	BAM00UF	BOS 5-HW-9	479
BAM01YP	BMS CS-M-S25-DX15-00	457	BAM0227	BAM MB-XO-014-B10-4-BLS	479
BAM02ZU	BMS CU-M-S25-D030-01	457	BAM0228	BAM MB-XO-014-B10-4-RLS	479
BAM01YT	BMS CUJ-M-S25-D045-00	457	BAM0225	BAM MB-XO-014-B10-4-RRR	479
BAM00WN	BVS Z-MB-01	457	BAM022A	BAM MC-XO-030-6K-4	479

630 | Alphanumeric Index | Sorted by part number

BAM0306	BMS CS-M-D12-FX18-02	479	BAM00M0	BMF 305-HW-37	495
BAM0304	BMS CS-M-D12-S6K-01	479	BAM00M3	BMF 305-HW-46	495
BAM0305	BMS CS-M-D12-S6K-03	479	BAM00M5	BMF 305-HW-50	495
BAM00UH	BOS 6-HW-1	479	BAM00M6	BMF 305-HW-52	495
BAM02ZE	BAM MB-X0-032-B16-1-BR2	479	BAM00M7	BMF 305-HW-53	495
BAM02ZF	BAM MB-X0-032-B16-1-BS1	479	BAM00M9	BMF 305-HW-64	495
BAM00T7	BOS 21-AD-1	479	BAM00MC	BMF 305-HW-70	495
BAM00T9	BOS 21-HW-1	479	BAM00ME	BMF 305-HW-71	495
BAM00TA	BOS 21-HW-2	479	BAM00MF	BMF 305-HW-72	495
BAM01FK	BAM MB-X0-006-B05-4	481	BAM00MK	BMF 305-HW-82	495
BAM01FM	BAM MB-X0-007-B05-4	481	BAM0017	BMF 305-HW-91	495
BAM00TK	BOS 26-HW-1	481	BAM01C4	BMF 305-HW-92	495
BAM00P6	BOD 63-HW-1	481	BAM01EZ	BMF 305-HW-98	495
BAM02KL	BMS CS-M-D12-B64K-12	481	BAM01EY	BMF 305-HW-99	495
BAM003E	BMS AD-M-002-D12/D12	481	BAM00KT	BMF 21-HW-10	495
BAM0038	BMS AD-M-002-D12/D18	481	BAM00KU	BMF 21-HW-10-E	495
BAM00U8	BOS 5-HW-4	481	BAM00KW	BMF 21-HW-11	497
BAM00U9	BOS 5-HW-5	481	BAM00KY	BMF 21-HW-8	497
BAM00UA	BOS 5-HW-6	481	BAM00MR	BMF 32-HW-12	497
BAM027E	BAM MC-X0-034-23K-4	481	BAM00MT	BMF 32-HW-13	497
BAM01K6	BMF 103-HW-100	489	BAM00MU	BMF 32-HW-14	497
BAM01K7	BMF 103-HW-102	489	BAM00MW	BMF 32-HW-15	497
BAM00K8	BMF 103-HW-41	489	BAM00MY	BMF 32-HW-16	497
BAM00K9	BMF 103-HW-42	489	BAM00MZ	BMF 32-HW-18	497
BAM00KA	BMF 103-HW-43	489	BAM00N0	BMF 32-HW-49	497
BAM00KC	BMF 103-HW-63	489	BAM02ZP	BAM MC-MF-046-203-A-C	497
BAM00KF	BMF 103-HW-68	489	BAM02ZR	BAM MC-MF-046-203-A-S	497
BAM00KH	BMF 103-HW-74	489	BAM02ZT	BAM MC-MF-046-203-A-T	497
BAM00KJ	BMF 103-HW-75	489	BAM01M9	BMF 235-HW-109	497
BAM00KN	BMF 103-HW-85	489	BAM01MA	BMF 235-HW-110	497
BAM023L	BMF 103-HW-85-SA1	489	BAM01MC	BMF 235-HW-111	497
BAM00KP	BMF 103-HW-87	489	BAM01Y9	BMF 307-HW-112	497
BAM01E2	BMF 103-HW-93	489	BAM02W1	BMF 307-HW-73-Z-115	499
BAM01K9	BMF 303-HW-101	489	BAM02W2	BMF 307-HW-73-Z-255	499
BAM01K4	BMF 303-HW-103	489	BAM00MP	BMF 307-HW-86	499
BAM01K5	BMF 303-HW-104	489	BAM00KR	BMF 10E-HW-19	499
BAM0242	BMF 303-HW-114	491	BAM010W	BTL6-A-MF01-A-43	511
BMF00J4	BMF 303-HW-116	491	BAM010Y	BTL6-A-MF01-A-50	511
BAM00KZ	BMF 303-HW-28	491	BAM0110	BTL6-A-MF03-K-50	511
BAM00L0	BMF 303-HW-30	491	BAM01N3	BTL6-A-MF07-A-PF/M5	511
BAM00L1	BMF 303-HW-31	491	BAM009K	BES 08-DM-1	515
BAM00L2	BMF 303-HW-33	491	BAM01WF	BAM MC-XA-021-M5-4	515
BAM00L3	BMF 303-HW-34	491	BAM01WR	BAM MC-XA-021-M8-3	515
BAM00L4	BMF 303-HW-40	491	BAM033A	BAM MC-XA-021-M8-4-01	515
BAM00L5	BMF 303-HW-44	491	BAM01W3	BAM MC-XA-021-M12-2	515
BAM00L6	BMF 303-HW-51	491	BAM01WH	BAM MC-XA-021-M12-4	515
BAM00L7	BMF 303-HW-59	491	BAM01W6	BAM MC-XA-021-M16-2	515
BAM00L8	BMF 303-HW-60	491	BAM01W4	BAM MC-XA-021-M18-2	515
BAM00L9	BMF 303-HW-61	491	BAM01WJ	BAM MC-XA-021-M18-4	515
BAM00LC	BMF 303-HW-66	491	BAM01WL	BAM MC-XA-021-M18-A	515
BAM00LE	BMF 303-HW-69	491	BAM01W5	BAM MC-XA-021-M30-2	515
BAM00LF	BMF 303-HW-80	491	BAM01WK	BAM MC-XA-021-M30-4	515
BAM01F0	BMF 303-HW-97	493	BAM01WM	BAM MC-XA-021-M30-A	515
BAM01K8	BMF 305-HW-106	493	BAE00E5	BAE PD-US-004-S04	521
BAM00LH	BMF 305-HW-17	493	BAE00E6	BAE PD-US-004-S92	521
BAM00LJ	BMF 305-HW-20	493	BAE00MR	BAE PD-US-007-S92	521
BAM00LK	BMF 305-HW-20-SA1	493	BAM000E	BFO CT	521
BAM00LL	BMF 305-HW-21	493	BAM02RY	BAM TO-XA-013-01	521
BAM00LM	BMF 305-HW-22	493	BAM00ZN	BAM TO-CC-001-A3-1,5/24,0	521
BAM00LN	BMF 305-HW-23	493	BAM00ZL	BAM TO-CC-001-M3-0,4/8,0	521
BAM02YK	BMF 305-HW-23-SA2	493	BAM033L	BAM TO-CC-001-M4-0,6/12,0/18,0	521
BAM00LP	BMF 305-HW-24	493	BAM0291	BAM TO-XA-009-A-0,7-2,0	521
BAM00LR	BMF 305-HW-25	493	BAM000P	BTL2-GS10-0100-A	525
BAM00LT	BMF 305-HW-26	493	BAM00ZA	BTL2-GS10-0250-A	525
BAM00LU	BMF 305-HW-27	493	BAM0006	BTL2-GS10-0500-A	525
BAM00LW	BMF 305-HW-32	493	BAM00ZJ	BTL2-GS10-1000-A	525
BAM00LY	BMF 305-HW-35	493	BAM023Y	BTL2-GS10-2500-A	525
BAM00LZ	BMF 305-HW-36	493	BAM014M	BTL5-P-3800-2	529

BAM014P	BTL5-P-4500-1	529	BAE00WA	BAE LX-XA-BW0332-S4	577
BAM014T	BTL5-P-5500-2	529	BAE00ZM	BAE LX-XA-BW0380A-S4	577
BAM014W	BTL6-A-3800-2	529	BAE00Y4	BAE LX-XA-BW0530-S4	577
BAM014Z	BTL6-A-3801-2	529	BAE00ZN	BAE LX-XA-BW0560A-S4	577
BAM014H	BTL5-F-2814-1S	529	BAE00Y5	BAE LX-XA-BW0710-S4	579
BAM014K	BTL5-M-2814-1S	529	BAE00ZP	BAE LX-XA-BW0760A-S4	579
BAM014L	BTL5-N-2814-1S	529	BAE00ZR	BAE LX-XA-BW0960A-S4	579
BAM01FC	BTL5-T-2814-1S	529	BAE00Y6	BAE LX-XA-BW1016-S4	579
BAM01A2	BTL-S-3112-4Z	533	BAE00ZT	BAE LX-XA-BW1160A-S4	579
BAM01KA	BTL-S-3112-4Z-SA10	533	BAE006Z	BES 516-615-NS-1-PU-05	589
BAM024J	BTL2-S-3212-4Z	533	BAE0070	BES 516-615-PS-1-PU-05	589
BAM0146	BTL2-S-4414-4Z	533	BNI0073	BNI USB-901-013-A501	591
BAM0149	BTL2-S-5113-4K	533	BNI00C9	BNI IOL-717-002-E023	593
BAM014C	BTL2-S-6216-8P	533	BNI00C8	BNI IOL-725-002-E023	593
BAM0147	BTL2-S-4414-4Z-EX	533	BNI00C6	BNI IOL-730-002-E023	593
BAM0148	BTL2-S-4414-4Z01-EX	533	BNI00C7	BNI IOL-740-002-E023	593
BAM014A	BTL2-S-5113-4K-EX	533	BNI00C1	BNI IOL-760-002-E066	593
BAM014E	BTL2-S-6216-8P-EX	533	BNI0041	BNI IOL-712-000-K023	593
BAM013H	BTL-P-0814-GR-PAF	533	BNI0042	BNI IOL-714-000-K023	595
BAM013J	BTL-P-1012-4R	533	BNI004T	BNI IOL-716-000-K023	595
BAM013K	BTL-P-1012-4R-PA	535	BNI004C	BNI IOL-722-000-K023	595
BAM013L	BTL-P-1013-4R	535	BNI004E	BNI IOL-724-000-K023	595
BAM013M	BTL-P-1013-4R-PA	535	BAE0073	BES 516-IV 2	595
BAM013P	BTL-P-1013-4S	535	BAE002E	BOS S-C01	595
BAM013R	BTL-P-1014-2R	535	BAE002H	BOS S-F01	597
BAM013Y	BTL-P-1028-15R	535	BAE002J	BOS S-F02	597
BAM015U	BESA-08-CM	391	BAE002K	BOS S-M01	597
BAM015W	BESA-12-CM	391	BAE002L	BOS S-M02	597
BAM015Y	BESA-18-CM	391	BAE002M	BOS S-T01	597
BAM015Z	BESA-30-CM	391	BAE002N	BOS S-T02	597
BAM00NU	BFO 04-FS-1	391	BAE00ZU	BAE SA-XE-051-XR	603
BAE00AM	BAE LX-VS-DR090	547	BAE00ZY	BAE SA-XE-052-XR	603
BAE00KR	BAE LX-VS-HI050	549	BAE00ZW	BAE SA-XE-053-XR	603
BAE00FR	BAE LX-VS-HI100	549			
BAE00KP	BAE LX-VS-HI150	549			
BAE00JE	BAE LX-VS-HI200	549			
BAE00WM	BAE LX-VS-HI300	549			
BAE000E	BAE LX-VS-HR025	549			
BAE000F	BAE LX-VS-HR050	551			
BAE000H	BAE LX-VS-HR100	551			
BAE00JF	BAE LX-VS-HR100-E	551			
BAE00C5	BAE LX-VS-HR150	551			
BAE00JC	BAE LX-VS-HR200	551			
BAE00MU	BAE LX-VS-HR300	551			
BAE000K	BAE LX-VS-RI100	557			
BAE000J	BAE LX-VS-RR100	557			
BAE00AN	BAE LX-VS-RW100	557			
BAE00NU	BAE LX-VS-LI100-S26	561			
BAE00NZ	BAE LX-VS-LI200-S26	561			
BAE00NT	BAE LX-VS-LR100-S26	561			
BAE00NY	BAE LX-VS-LR200-S26	561			
BAE00NW	BAE LX-VS-LW100-S26	561			
BAE00P0	BAE LX-VS-LW200-S26	561			
BAE00JA	BAE LX-VS-OR100	565			
BAE00J9	BAE LX-VS-OR50	565			
BAE00H1	BAE LX-VS-SI018	569			
BAE00H2	BAE LX-VS-SI030	569			
BAE00KF	BAE LX-VS-SR012	569			
BAE00H0	BAE LX-VS-SR018	569			
BAE00FT	BAE LX-VS-SR030	569			
BAE010A	BAE LX-XO-PL018-E-C1-S103	573			
BAE0104	BAE LX-XO-PL018-E-L1-S103	573			
BAE0106	BAE LX-XO-PL018-E-L3-S103	573			
BAE0107	BAE LX-XO-PL018-E-L7-S103	573			
BAE0108	BAE LX-XO-PL018-E-L8-S103	573			
BAE0109	BAE LX-XO-PL018-E-P1-S103	573			
BAE00W8	BAE LX-XA-BW0170-S4	577			
BAE00W9	BAE LX-XA-BW0278-S4	577			

Global Project Management

WE ARE EVERYWHERE FOR YOU

Always where you need us

Wherever you are doing business, we will support you locally. We work closely with machine and systems builders, systems integrators, planning offices and maintenance engineers. Balluff has constructed a global network for you consisting of technical consulting, sales and after-sales services.

Project manuals and approval lists

We provide you with custom tailored product data for smooth running of your projects. You receive project-specific manuals and approval lists. And personal contacts from Balluff are at your side throughout the entire project.

Individual services


If our services need to be even more personalized, we make this possible as well: with individual e-catalogs, application-specific product modifications, integrated software and system solutions and comprehensive logistics concepts.

Questions? Contact us. We are happy to help.



 *innovating automation*



 *innovating automation*

Balluff

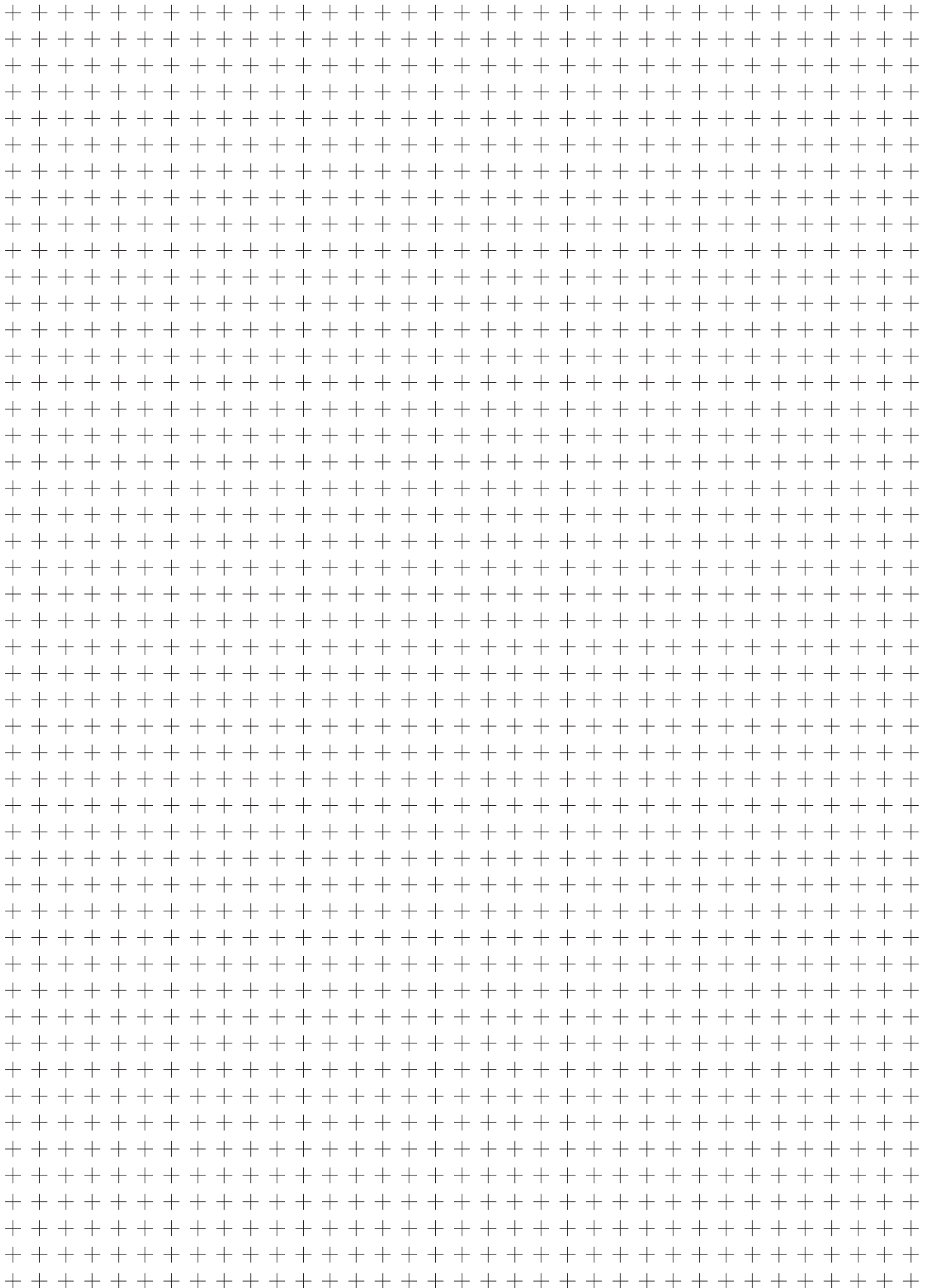
WE OPEN UP NEW PERSPECTIVES

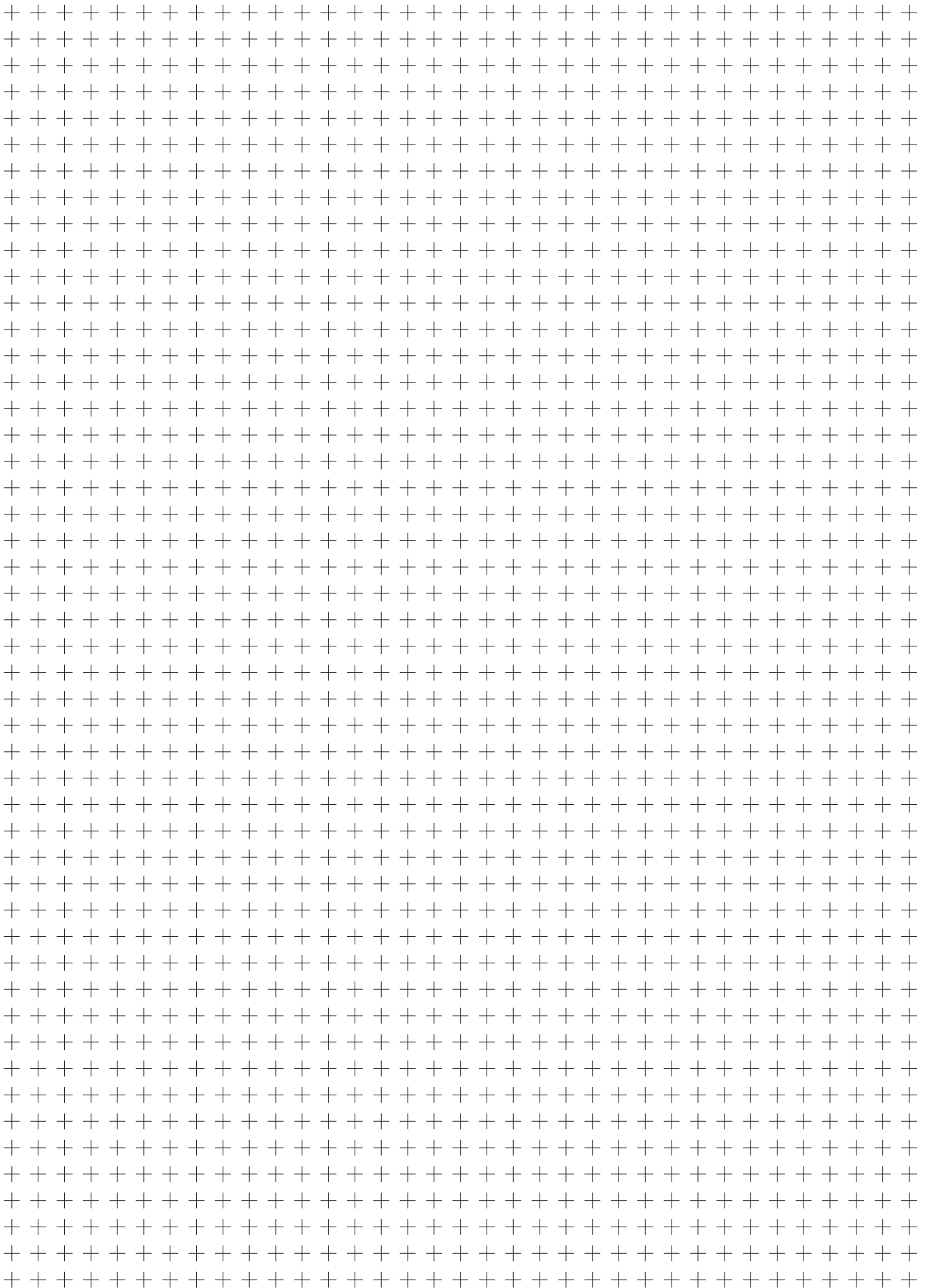
Balluff is one of the leading providers of high-quality sensor, identification and network solutions as well as software for integrated system solutions for your automation requirements. Family-run for more than 90 years, the company now employs around 4000 employees in 37 subsidiaries with distribution, production and development sites worldwide, all working towards your success. Together with our branches, we guarantee the highest quality standards worldwide. This is how we empower you to always receive the best.

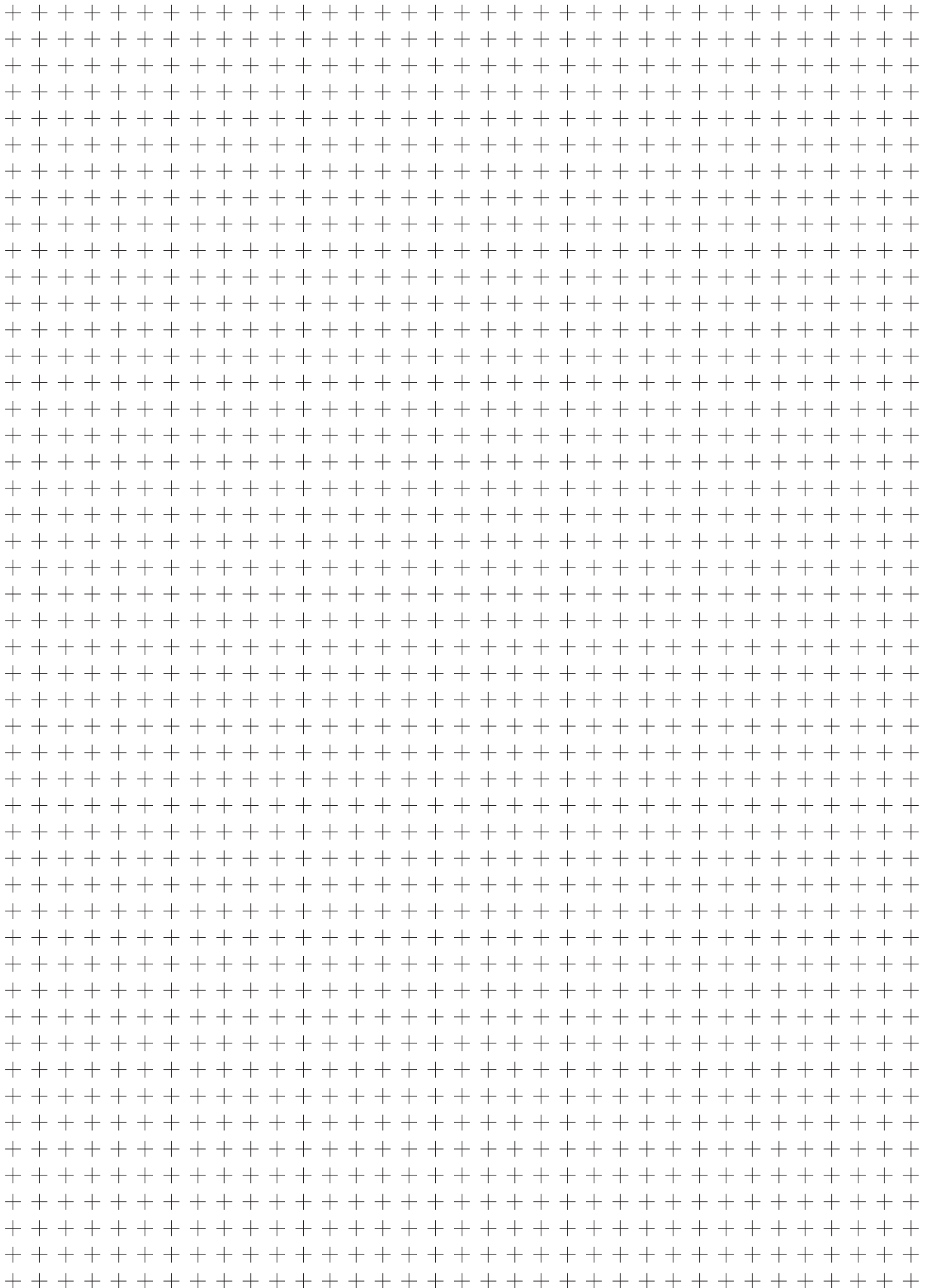
We give our all to provide top services for innovative solutions that increase your competitive edge. Through years of experience we bring the competence of a manufacturer and high personal engagement.

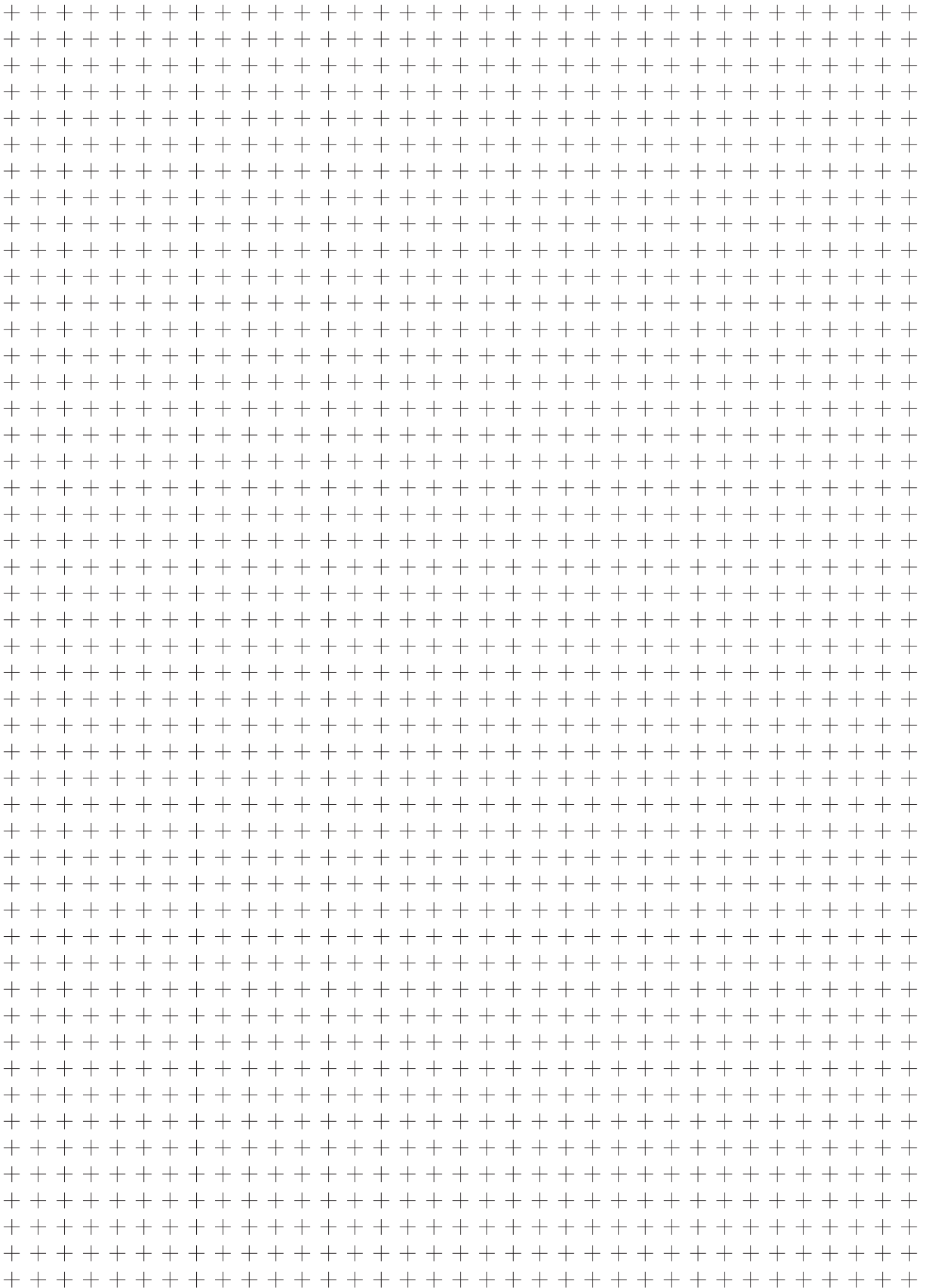
We live our motto 'innovating automation': we are automation pacesetters, developers and technological pioneers. In open interactions with associations, universities and research facilities, and in close contact with our customers, we create new industry solutions for automation. Innovative Balluff solutions prepare you for a successful future. We keep the future firmly in sight. In everything we do. With sophisticated environmental management, we protect the environment and handle our resources carefully. This creates the best conditions for sustainable action, also for you.

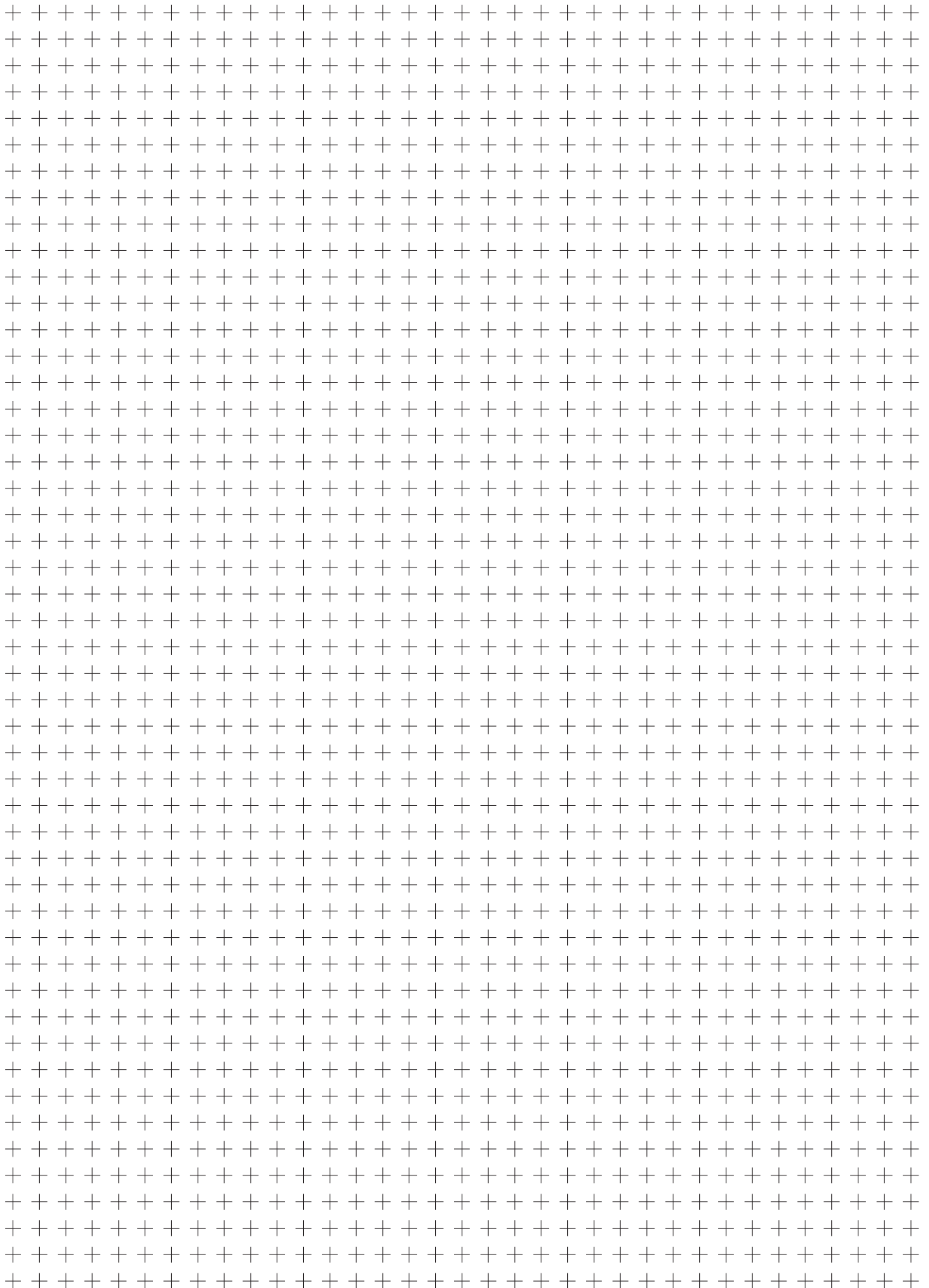
You can always count on us, our products and our scheduling and delivery reliability. In the spirit of a good partnership.

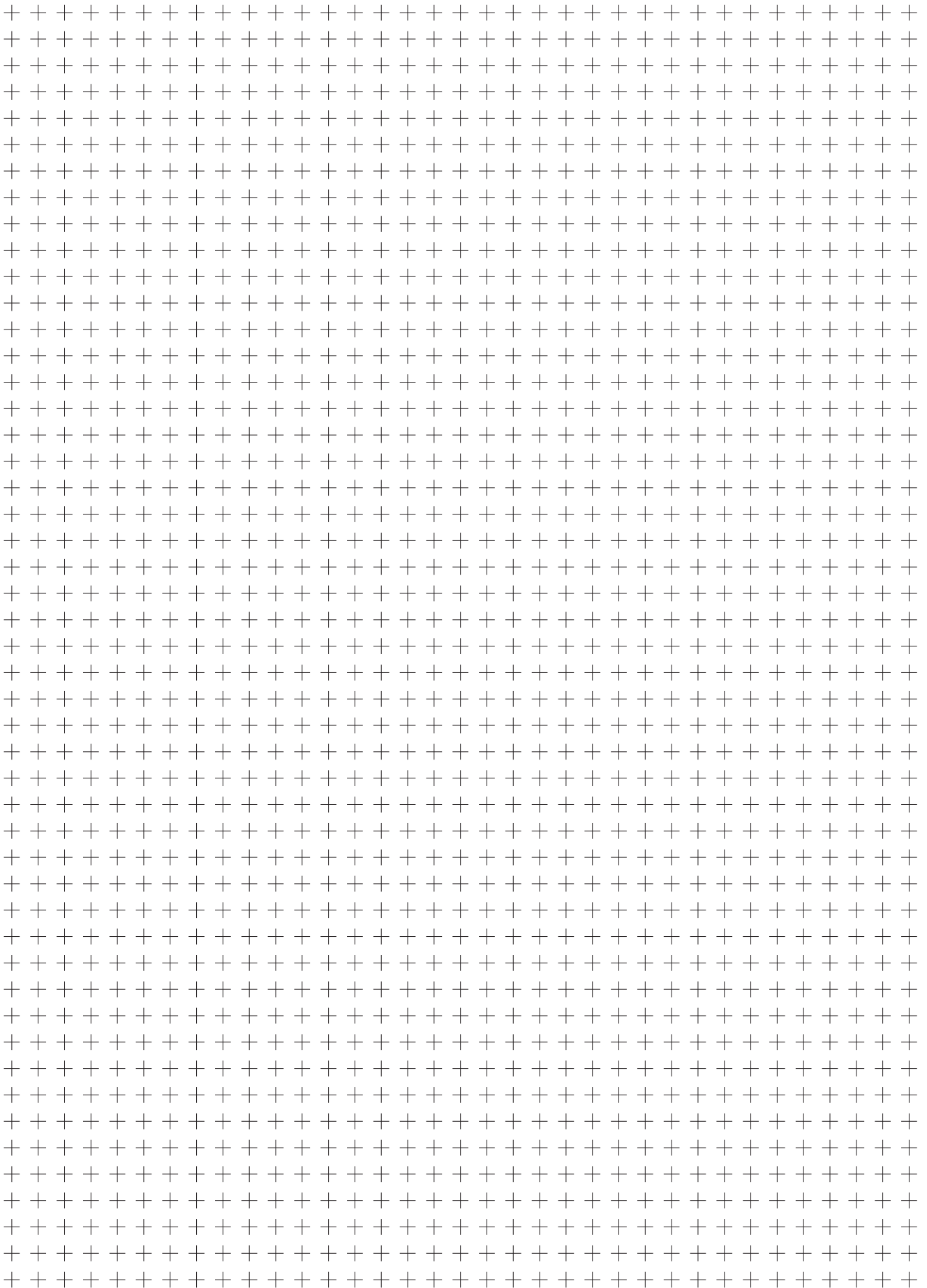


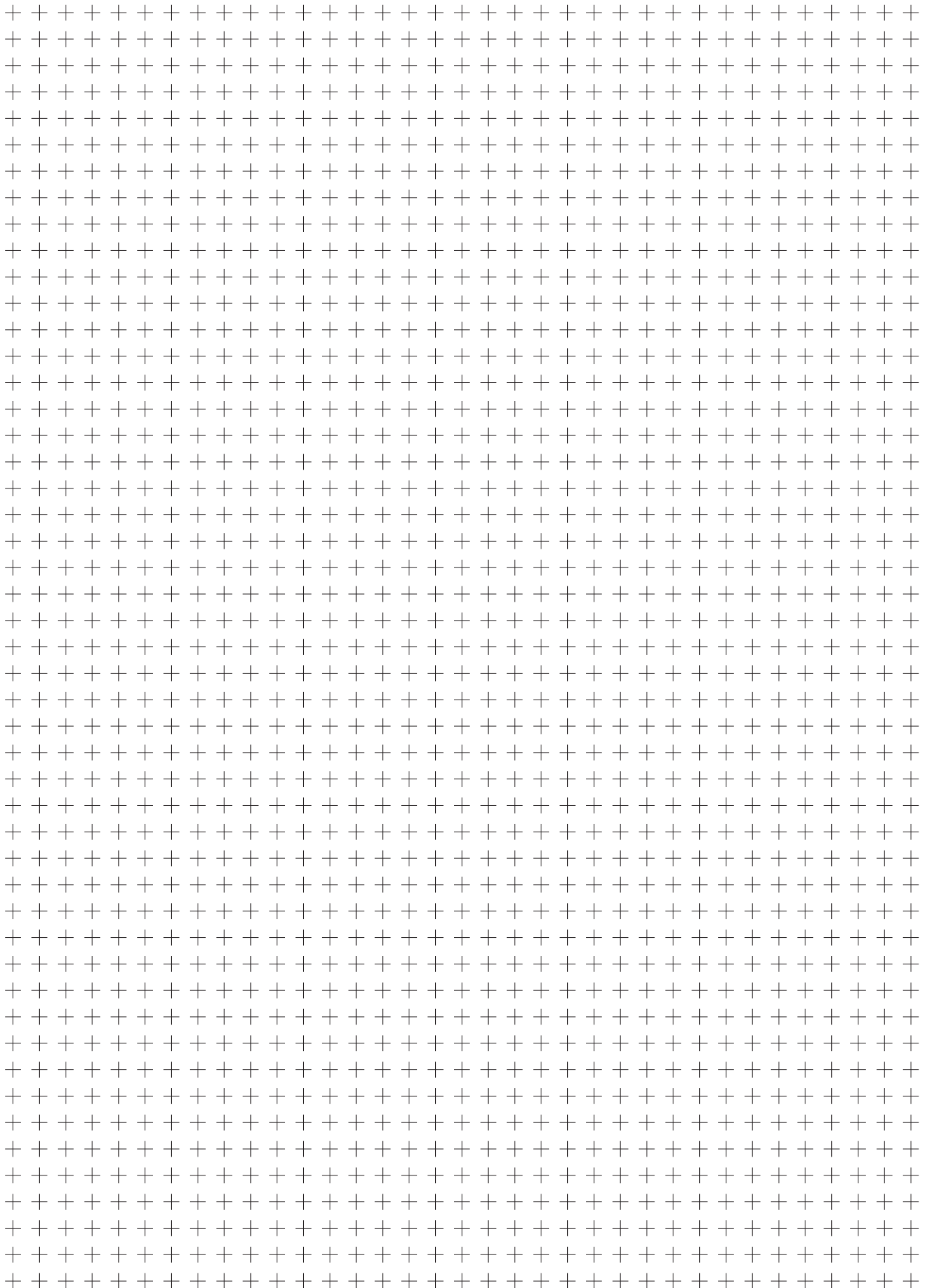


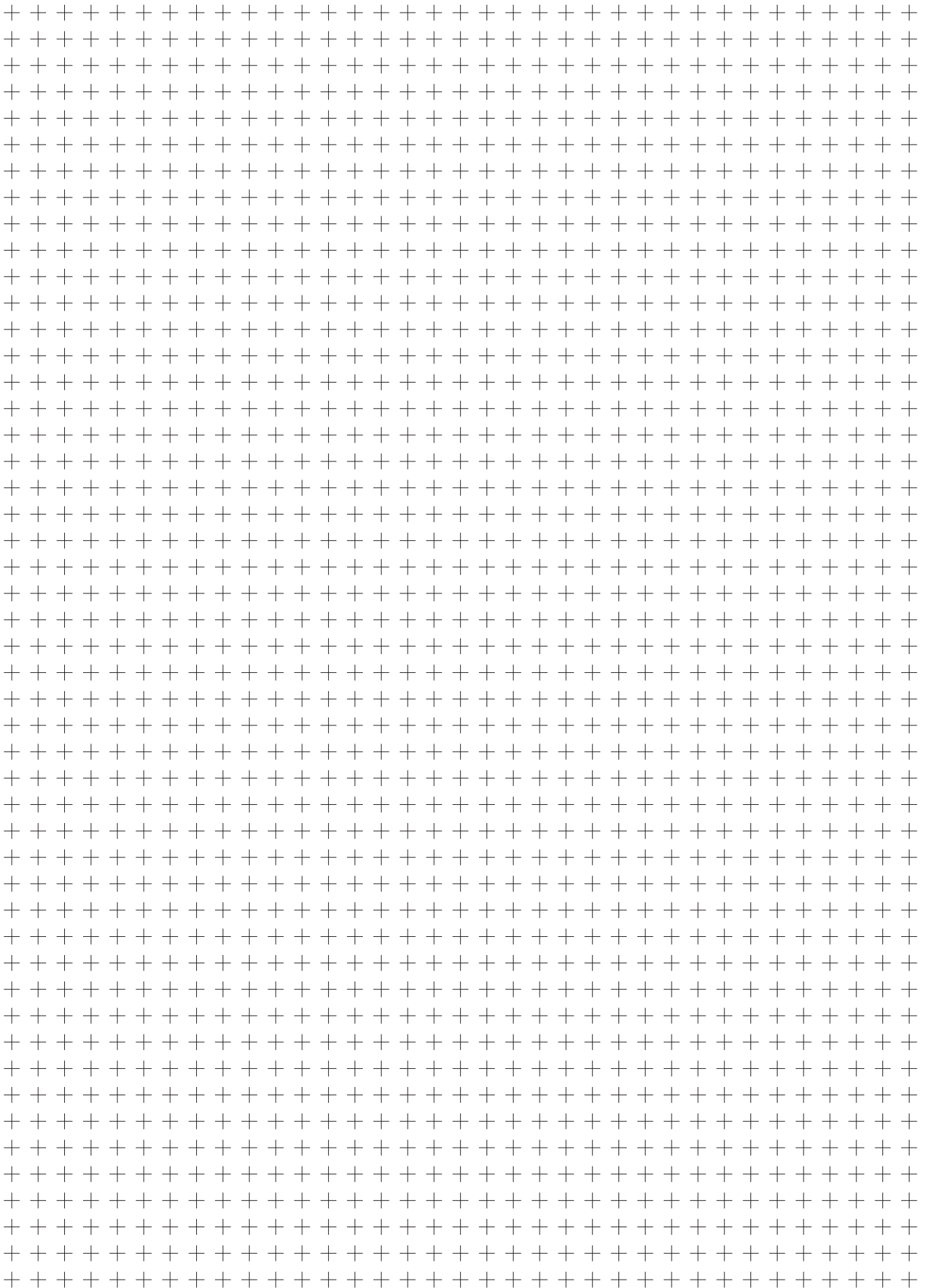












Headquarters
Balluff GmbH
Schurwaldstrasse 9
73765 Neuhausen a. d. F.
Germany
Phone +49 7158 173-0
Fax +49 7158 5010
balluff@balluff.de



CONTACT OUR
WORLDWIDE
SUBSIDIARIES